



US00D343336S

United States Patent [19] Falk

[11] Patent Number: **Des. 343,336**

[45] Date of Patent: **** Jan. 18, 1994**

[54] **GAS COOKTOP APPLIANCE**

[75] Inventor: **Donald G. Falk**, Louisville, Ky.

[73] Assignee: **General Electric Company**,
Louisville, Ky.

[**] Term: **14 Years**

[21] Appl. No.: **756,764**

[22] Filed: **Sep. 9, 1991**

[52] U.S. Cl. **D7/407**

[58] Field of Search **D7/339-340,**
D7/346-347, 332, 338, 402, 407-409; 126/39 R,
39 E, 39 H, 211, 214 C, 299 D, 300; 99/422,
444-446, 450, 460; 219/443, 458

D. 289,487 4/1987 Schultz D7/346
 D. 301,534 6/1989 Binzer D7/408
 3,034,419 5/1962 Hillebrand et al. D7/407
 3,044,459 7/1962 Brown 126/39 H

Primary Examiner—Ruth McInroy
Attorney, Agent, or Firm—H. Neil Houser; Radford M.
 Reams

[57] CLAIM

The ornamental design for a gas cooking appliance, as shown and described.

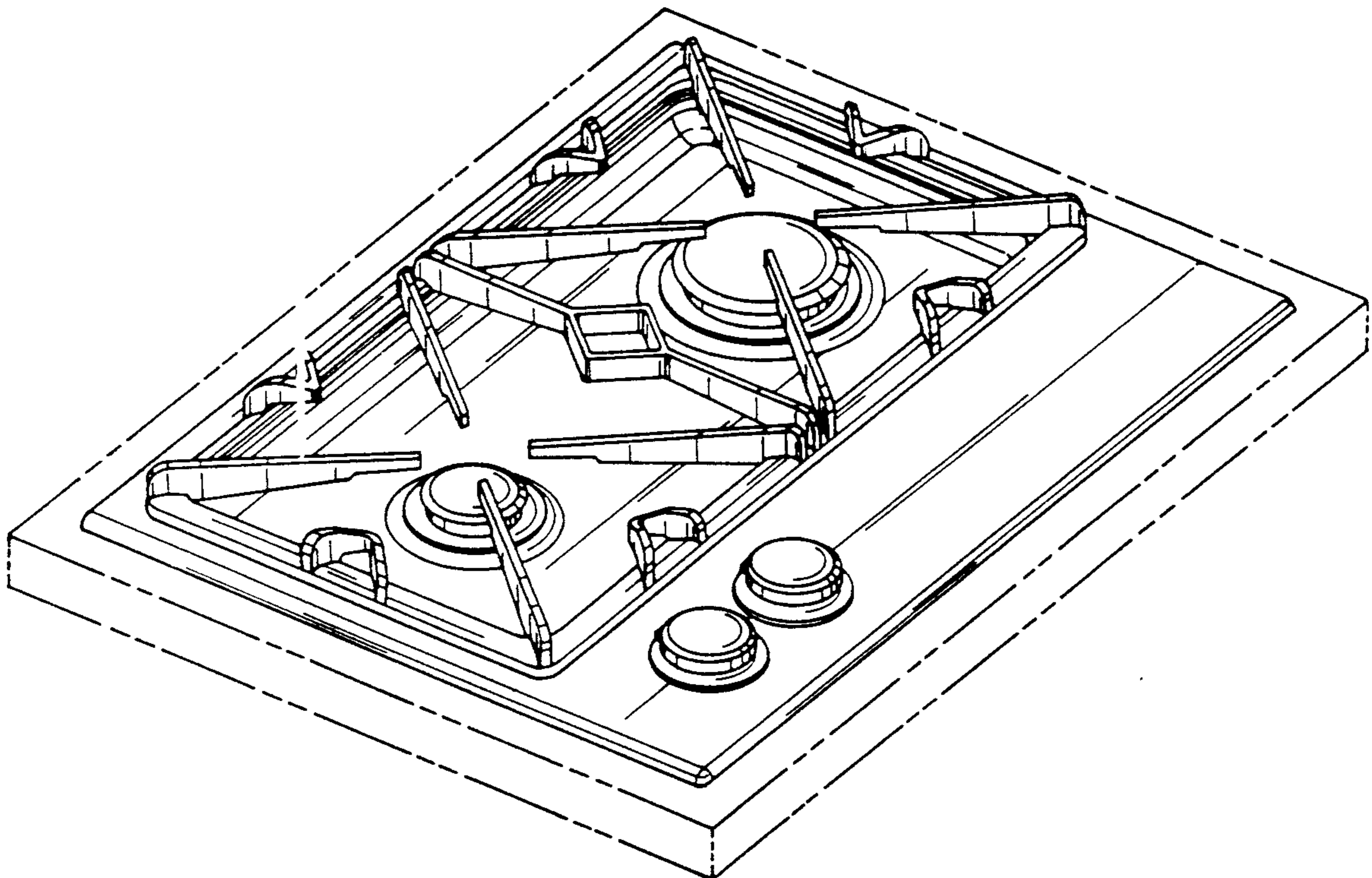
DESCRIPTION

FIG. 1 is a top perspective view of a gas cooktop appliance, showing my new design;
 FIG. 2 is side elevational view thereof; and,
 FIG. 3 is an end elevational view thereof.
 The portion shown in broken lines in FIGS. 1-3 is shown for illustrative purposes only and forms no part of the claimed design. The undisclosed bottom is flat and unornamented.

[56] **References Cited**

U.S. PATENT DOCUMENTS

D. 190,066 4/1961 Kamin D7/346
 D. 193,232 7/1962 Brown D7/346



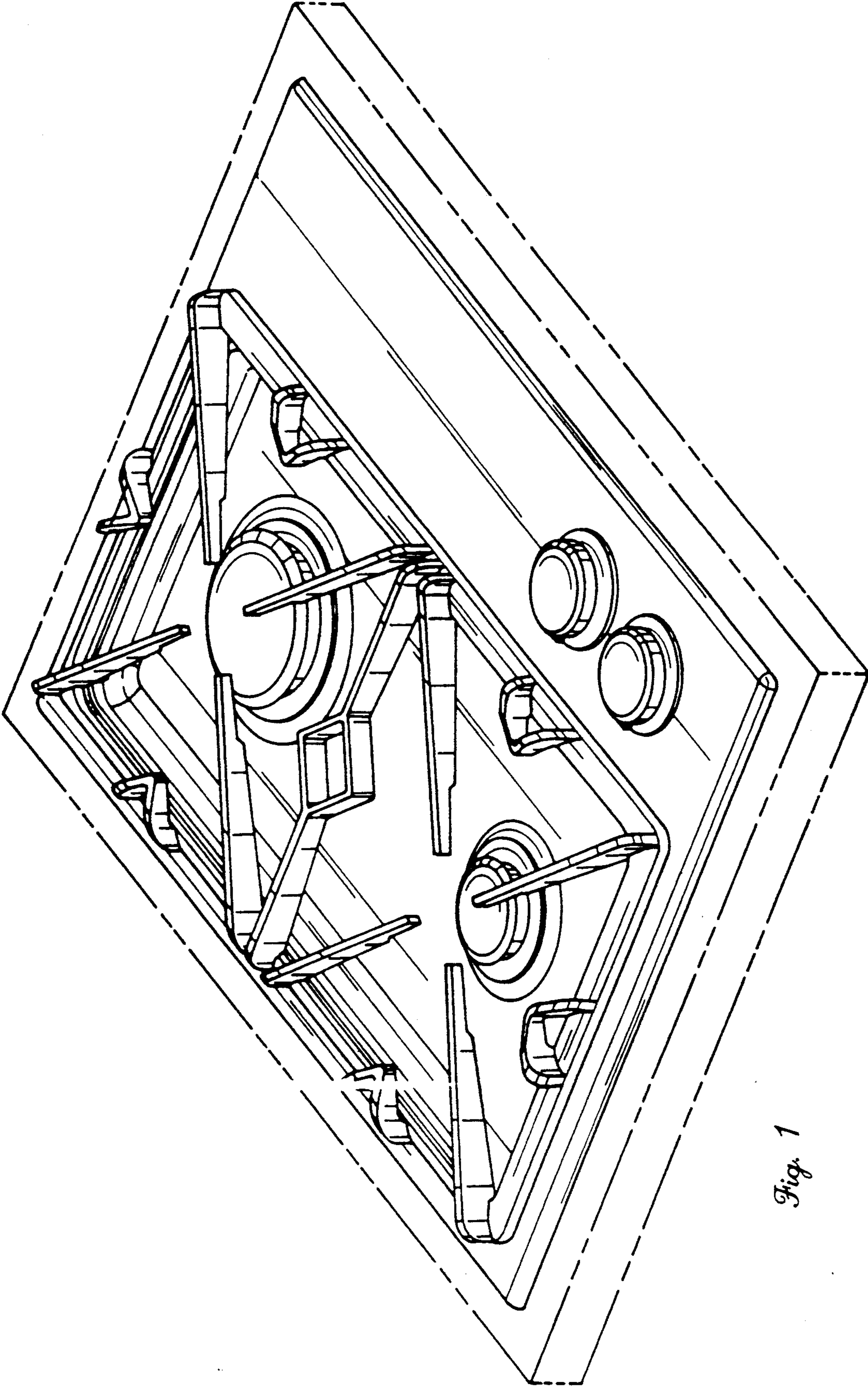


Fig. 1

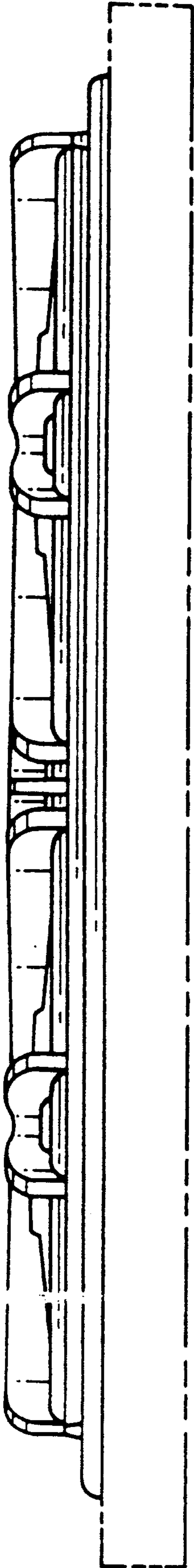


Fig. 2



Fig. 3