



US00D343335S

United States Patent [19]

[11] Patent Number: Des. 343,335

Bach

[45] Date of Patent: ** Jan. 18, 1994

[54] DRINKING FOUNTAIN ATTACHMENT FOR FAUCETS

3,335,957	8/1967	Jacobson	239/25
3,462,080	8/1969	Howard et al.	239/27
4,934,597	6/1990	Crutcher	239/27

[76] Inventor: Jerry Bach, 3304 Star Rte. 772, Otway, Ohio 45657

FOREIGN PATENT DOCUMENTS

[**] Term: 14 Years

274528	4/1912	Fed. Rep. of Germany
927621	10/1954	Fed. Rep. of Germany

[21] Appl. No.: 702,703

OTHER PUBLICATIONS

[22] Filed: May 20, 1991

Disclosure Document No. 278721, received Apr. 11, 1991.

[52] U.S. Cl. D7/398

[58] Field of Search D7/304, 398; 239/24, 239/25, 27, 29, 289, 447; D23/201, 213

Primary Examiner—James R. Largen
Attorney, Agent, or Firm—Terry M. Gernstein

[56] References Cited

[57] CLAIM

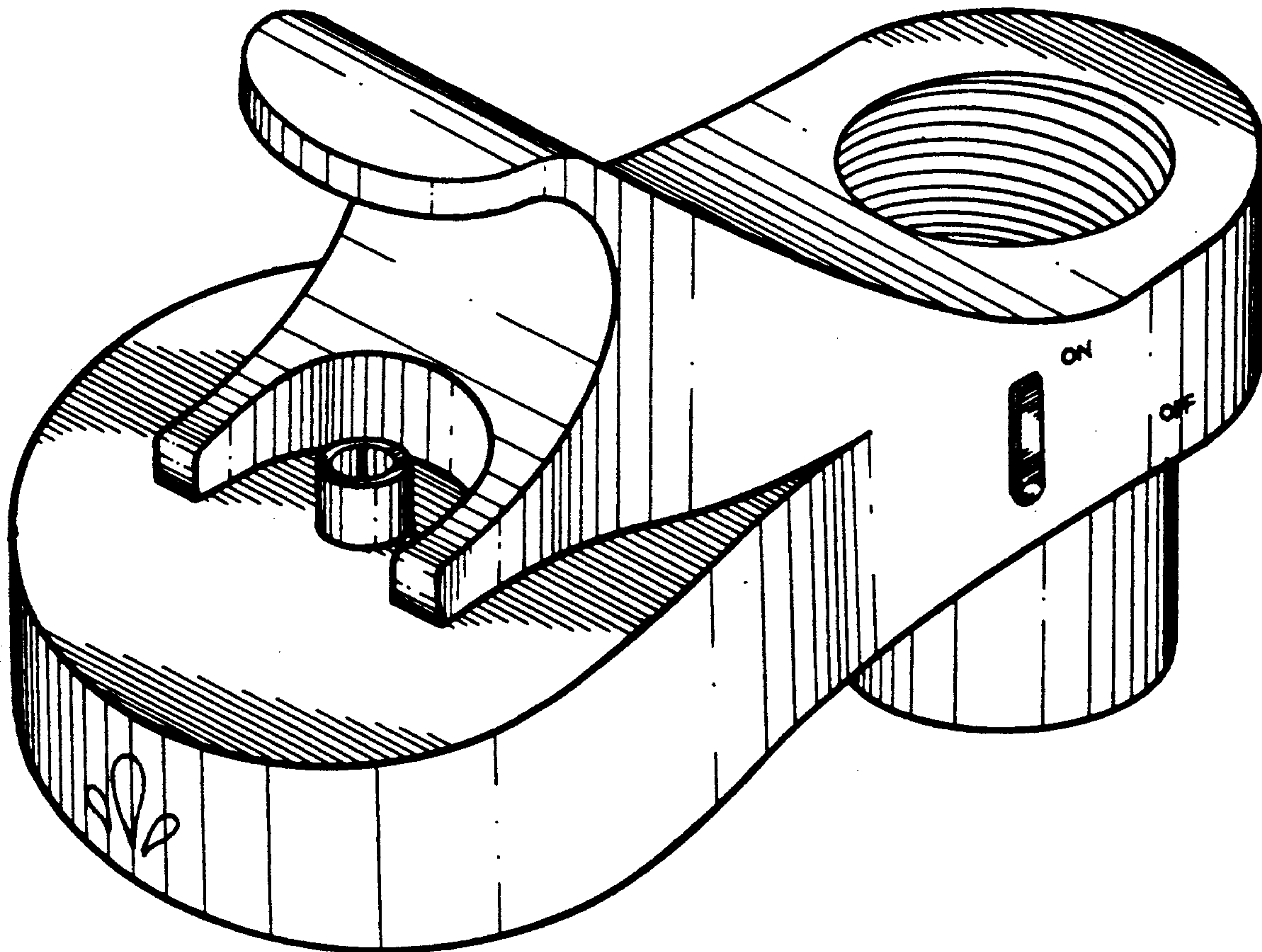
U.S. PATENT DOCUMENTS

The ornamental design for a drinking fountain attachment for faucets, as shown and described.

D. 194,900	3/1963	Knight	D7/398
1,079,771	11/1913	Roethlisberger	239/25
1,175,137	3/1916	Doucette et al.	239/25
1,387,718	8/1921	Hollaender	239/25
2,366,427	1/1945	Scheid	239/25
2,524,956	10/1950	Brunetti	
2,579,769	12/1951	Tyler	
2,635,006	4/1953	Richmond	239/27
2,924,390	2/1960	Esser	
3,079,088	2/1963	Hermann et al.	239/25
3,325,101	6/1967	Cusehara	239/25

DESCRIPTION

FIG. 1 is a perspective view of a drinking fountain attachment for faucets showing my new design; FIG. 2 is a front elevational view thereof; FIG. 3 is a rear elevational view thereof; FIG. 4 is a side elevational right view thereof; FIG. 5 is a side elevational left view thereof; FIG. 6 is a top plan view thereof; and, FIG. 7 is a bottom view thereof.



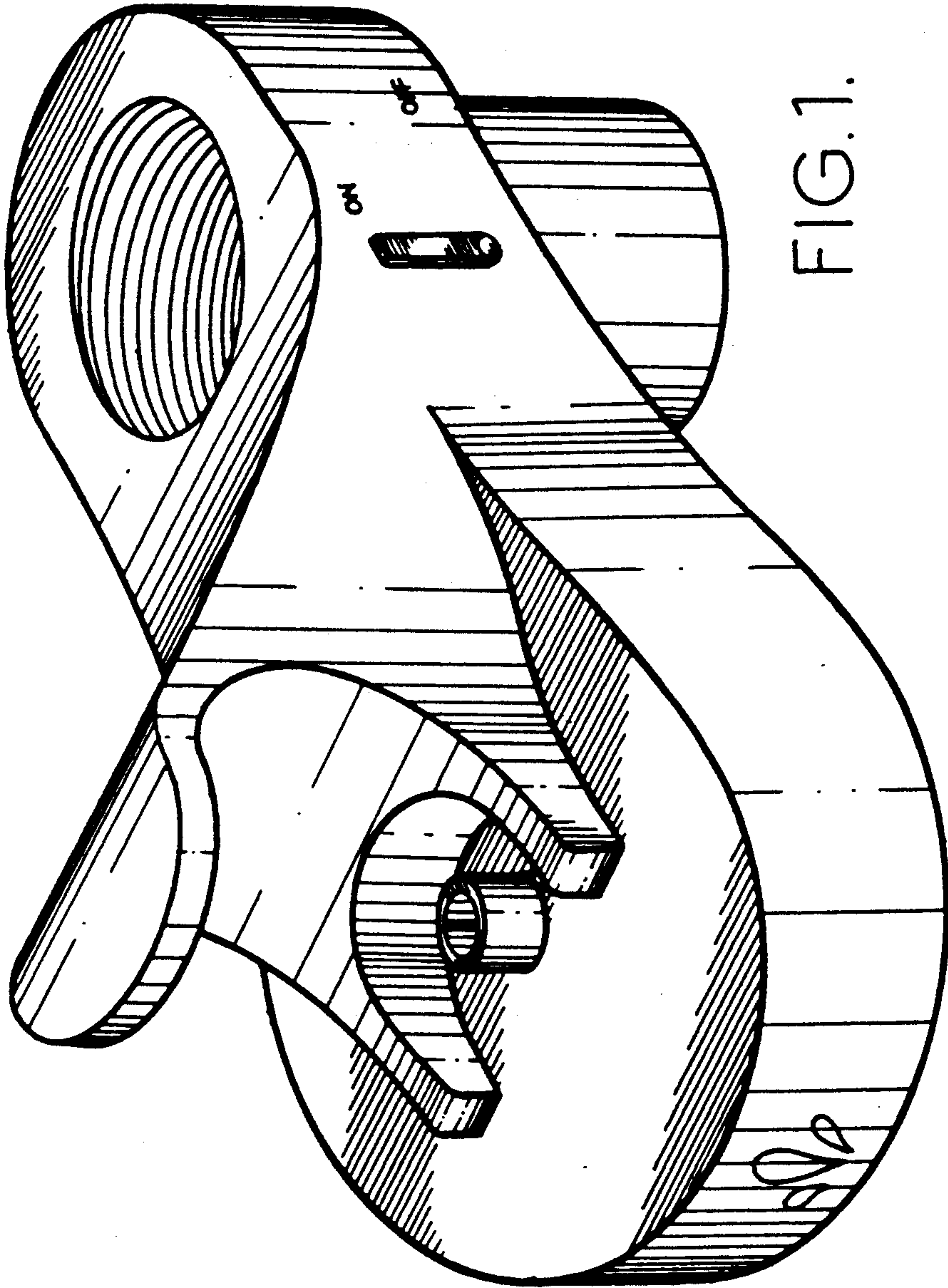


FIG. 1.

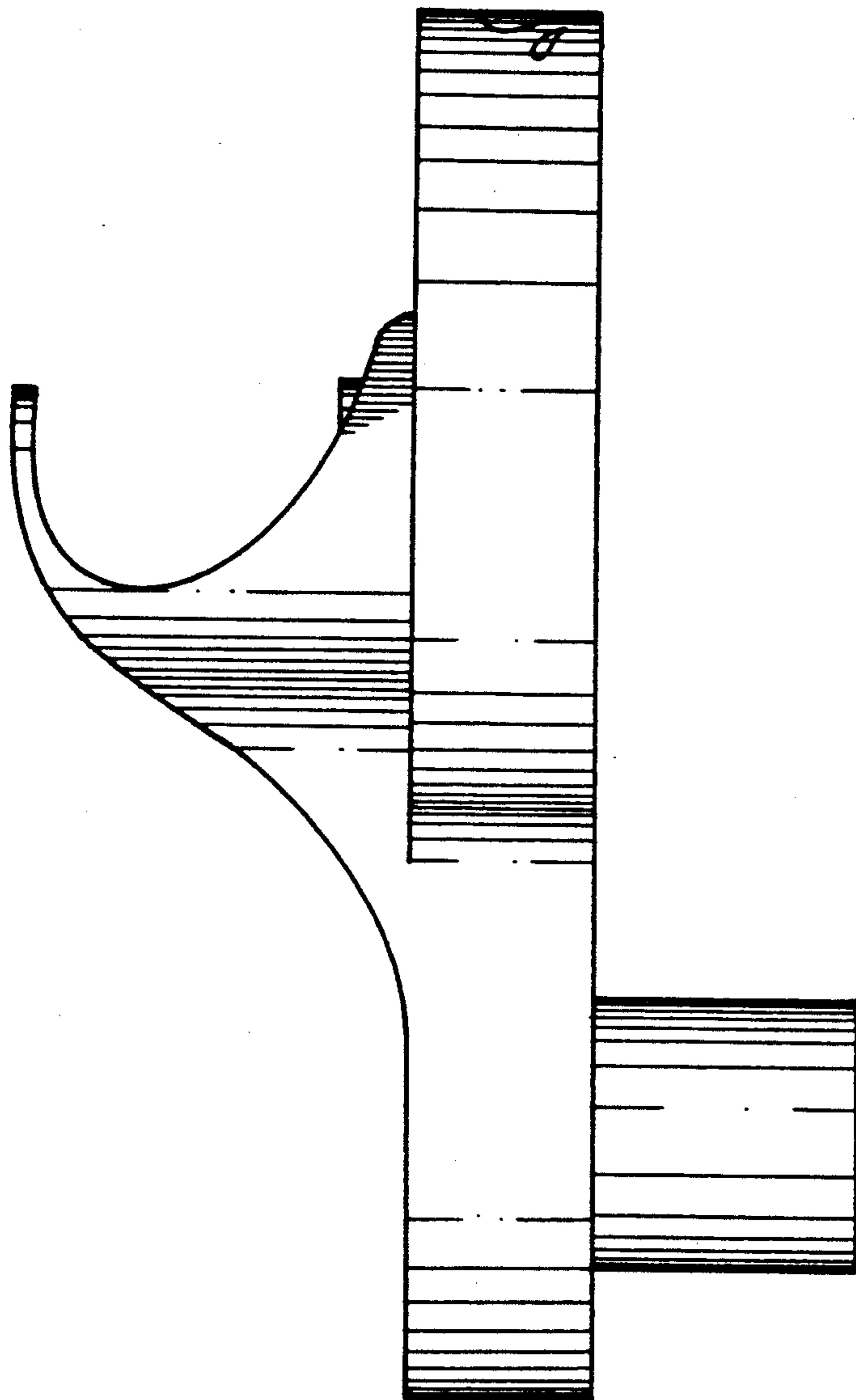


FIG. 5.

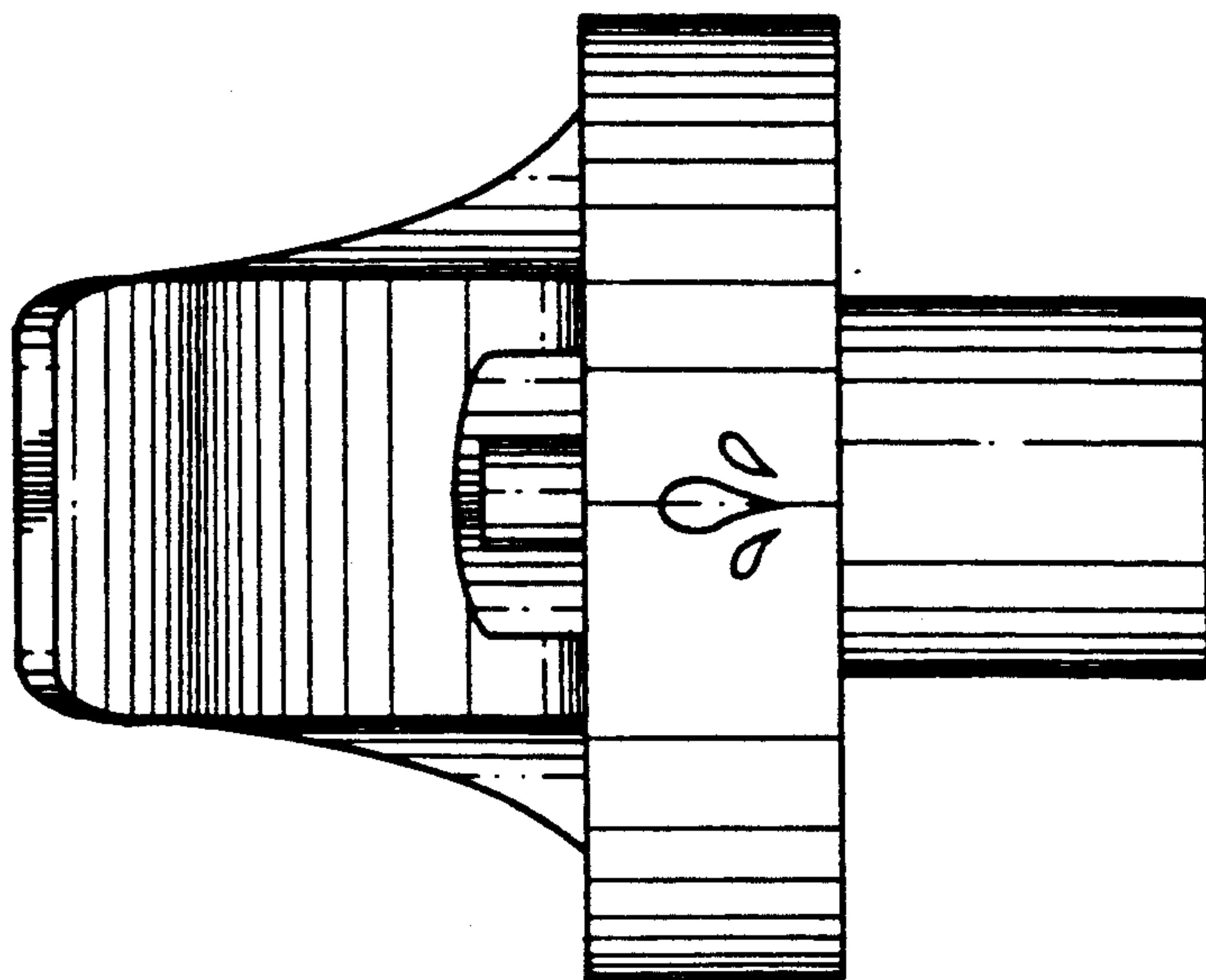


FIG. 2.

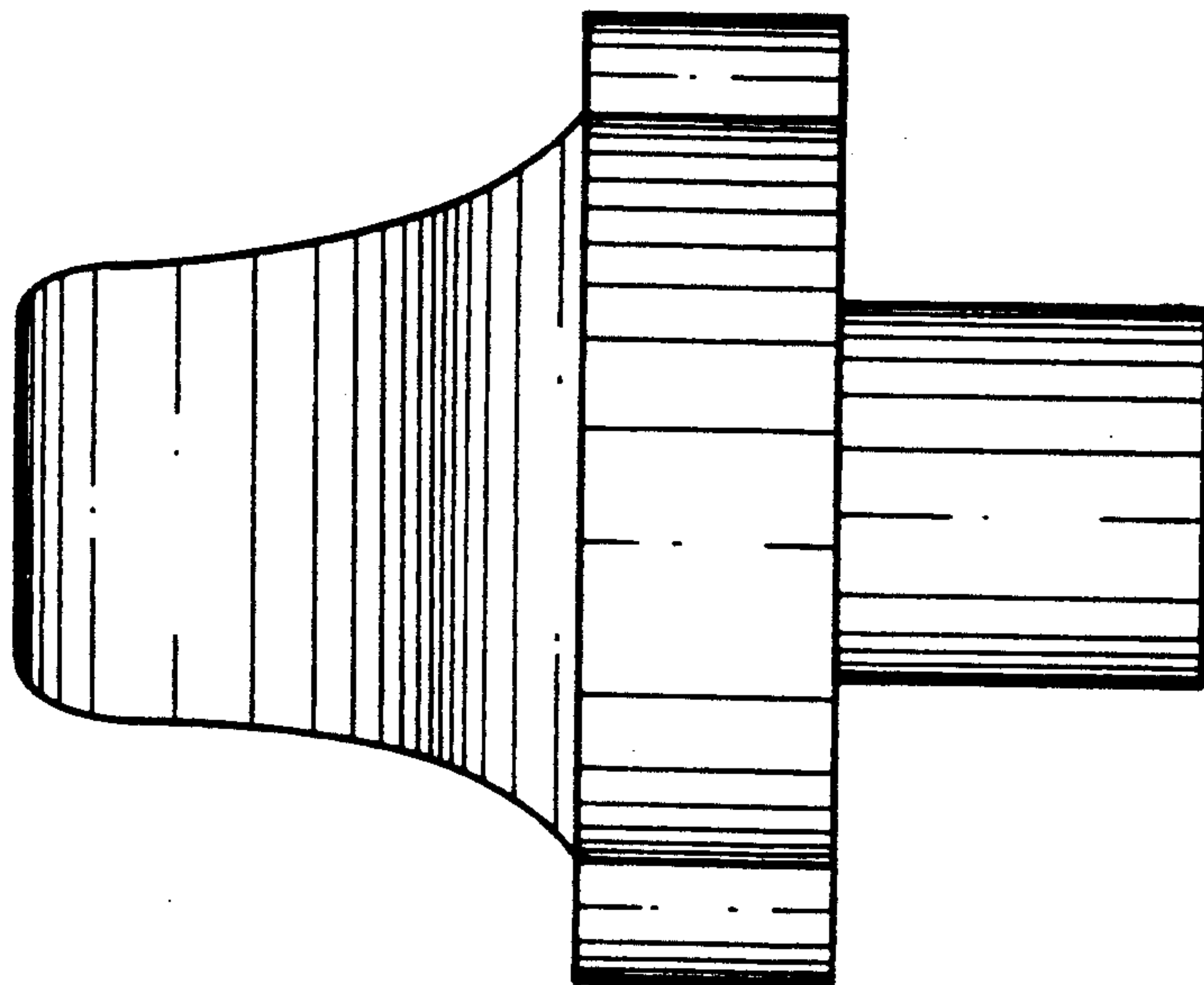


FIG. 3.

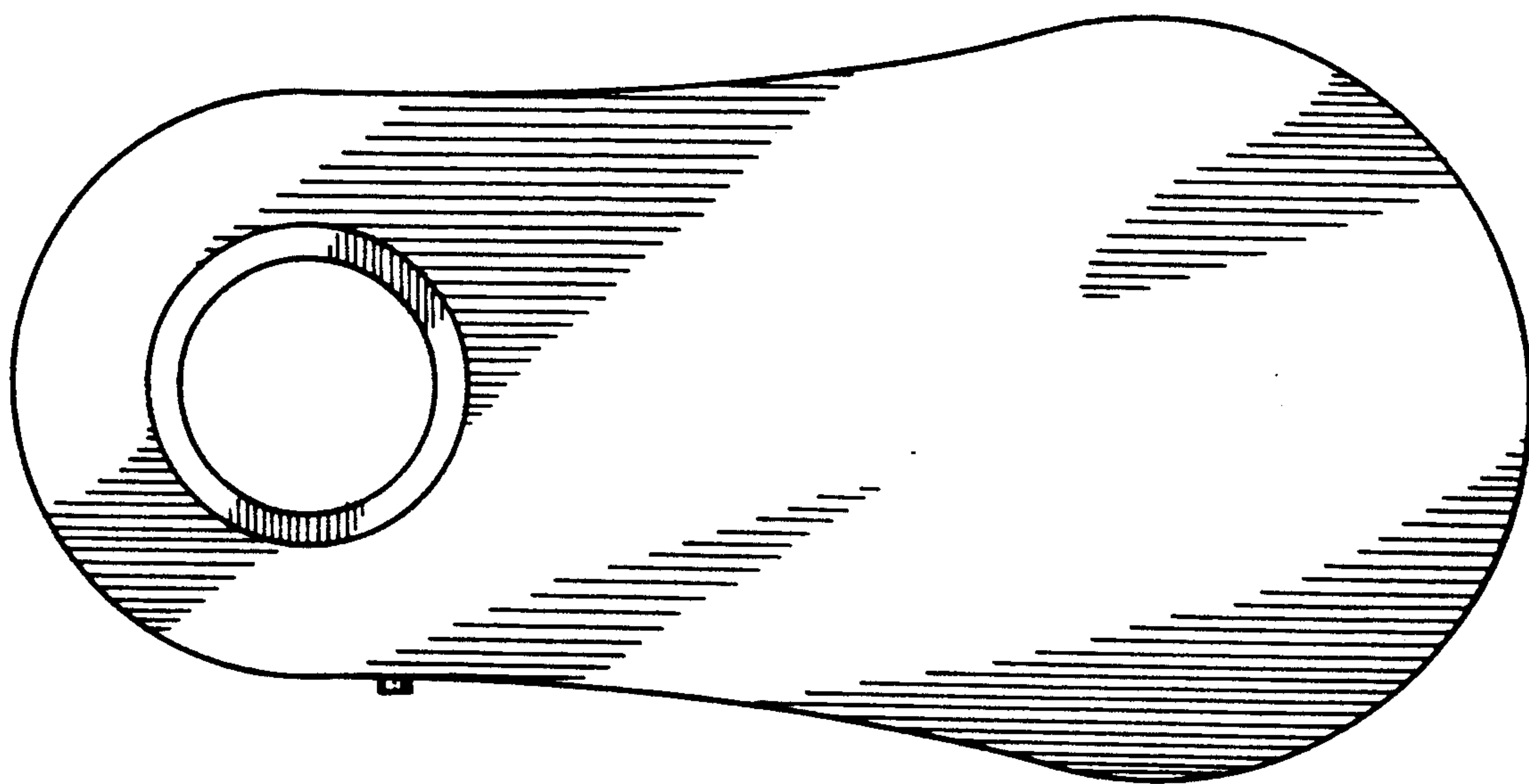


FIG. 7.

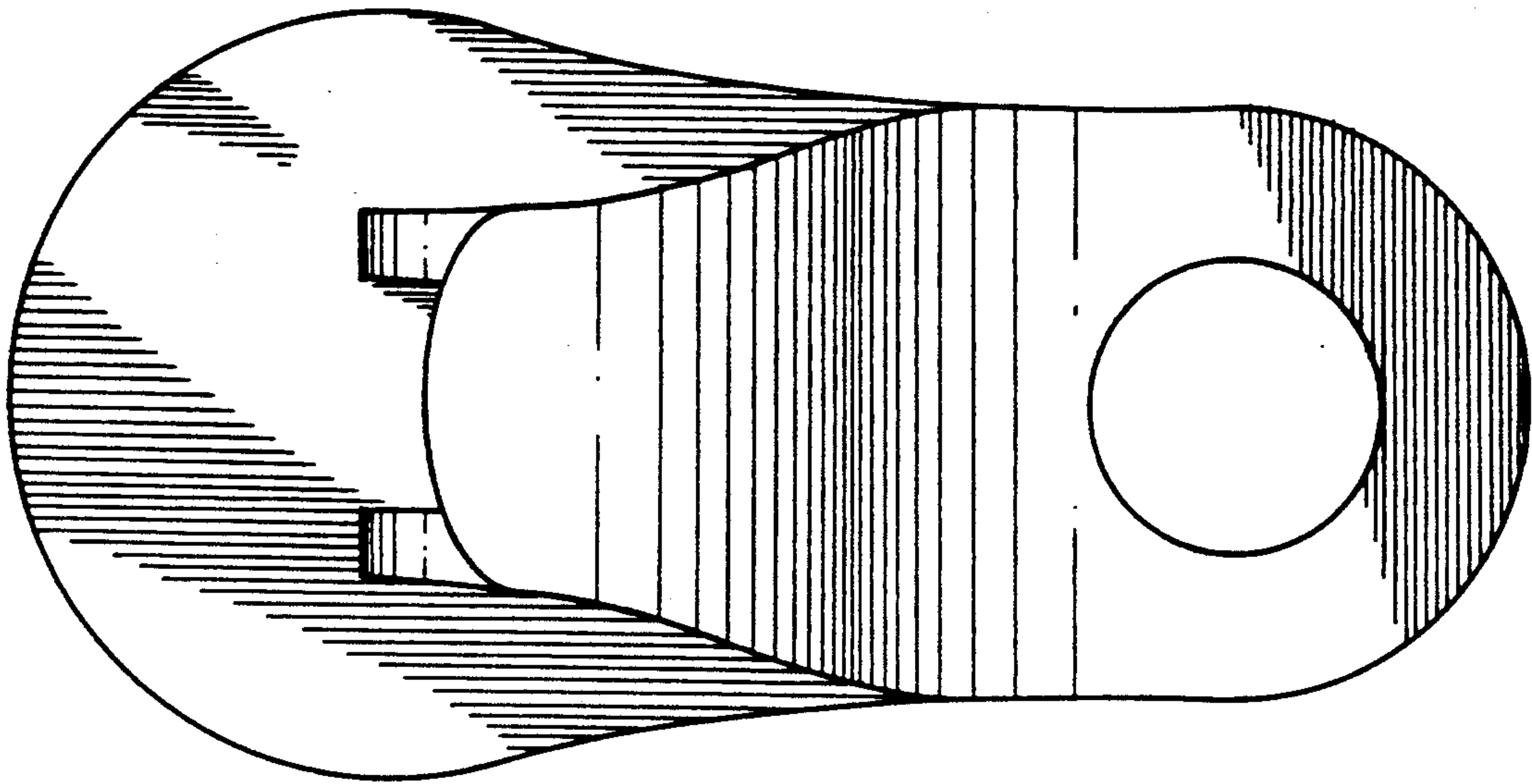


FIG. 6.

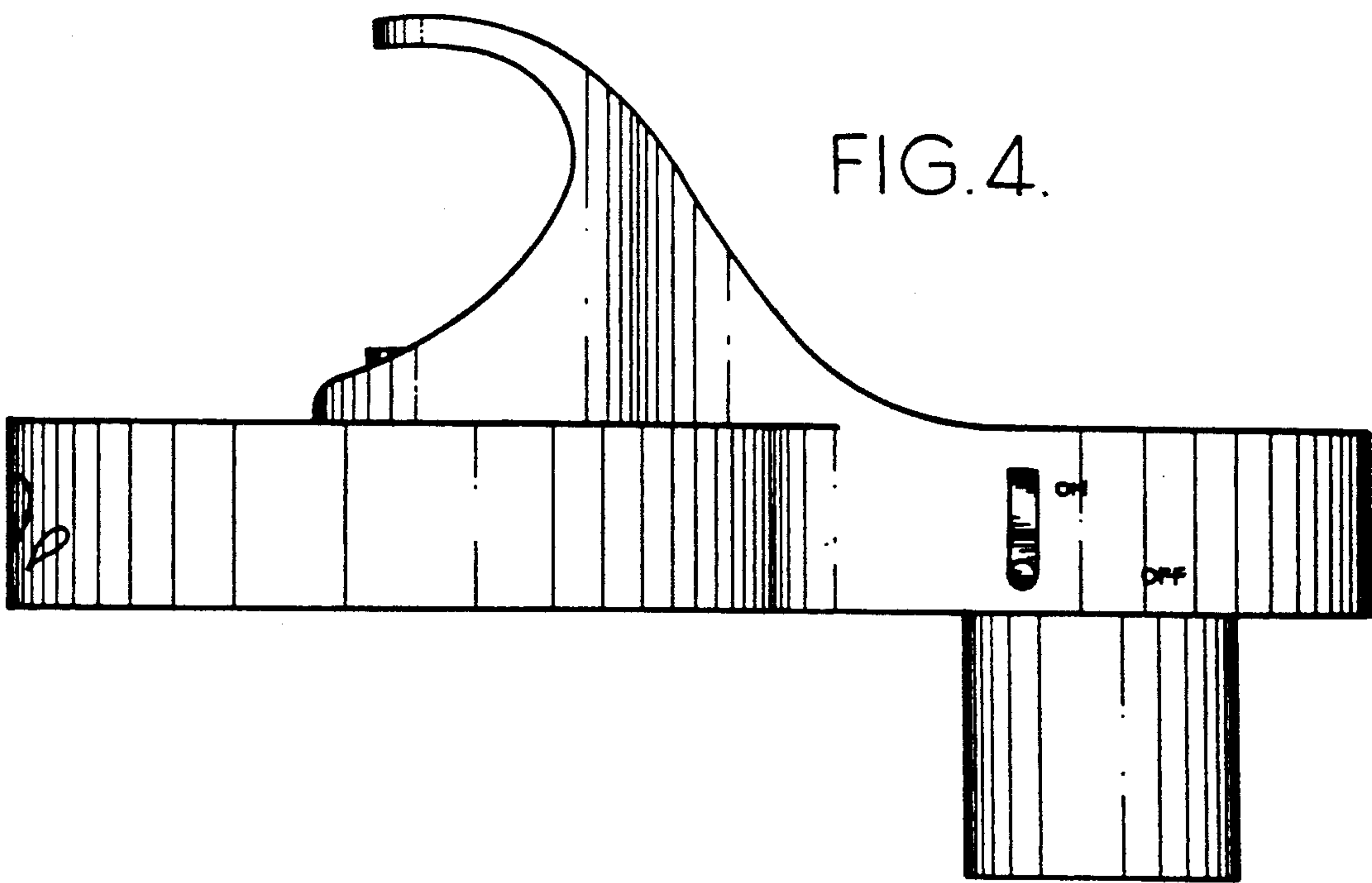


FIG. 4.