



US00D343332S

United States Patent [19]

[11] Patent Number: **Des. 343,332**

Schroeder et al.

[45] Date of Patent: **** Jan. 18, 1994**

[54] **BEVERAGE DISPENSER**

4,550,652 11/1985 Da Silva D7/309 X
5,058,773 10/1991 Brill et al. 222/129.4

[75] Inventors: **Alfred A. Schroeder; Samuel Durham,**
both of San Antonio; **William A. Edwards,**
Laverna; **Darwin L. Strohmeier,** Bulverde, all of Tex.;
Thomas G. North, III, Marietta, Ga.;
Annie T. Ellis, Smyrna, Ga.; **Jose I. Smith,**
Atlanta, Ga.

OTHER PUBLICATIONS

Carbonated Beverage Dispenser, Foodservice Equip. &
Supplies Specialist, Jan. 1988 p. 86.

Primary Examiner—Nelson C. Holtje
Assistant Examiner—M. N. Pandozzi
Attorney, Agent, or Firm—W. Dexter Brooks; Thomas
R. Boston; Lynne R. O'Brien

[73] Assignee: **The Coca-Cola Company,** Atlanta,
Ga.

[57] **CLAIM**

[**] Term: **14 Years**

The ornamental design for a beverage dispenser, as
shown.

[21] Appl. No.: **884,542**

[22] Filed: **May 15, 1992**

DESCRIPTION

Related U.S. Application Data

[63] Continuation-in-part of Ser. No. 724,316, Jun. 27, 1991,
abandoned.

[52] U.S. Cl. **D7/308; D7/300**

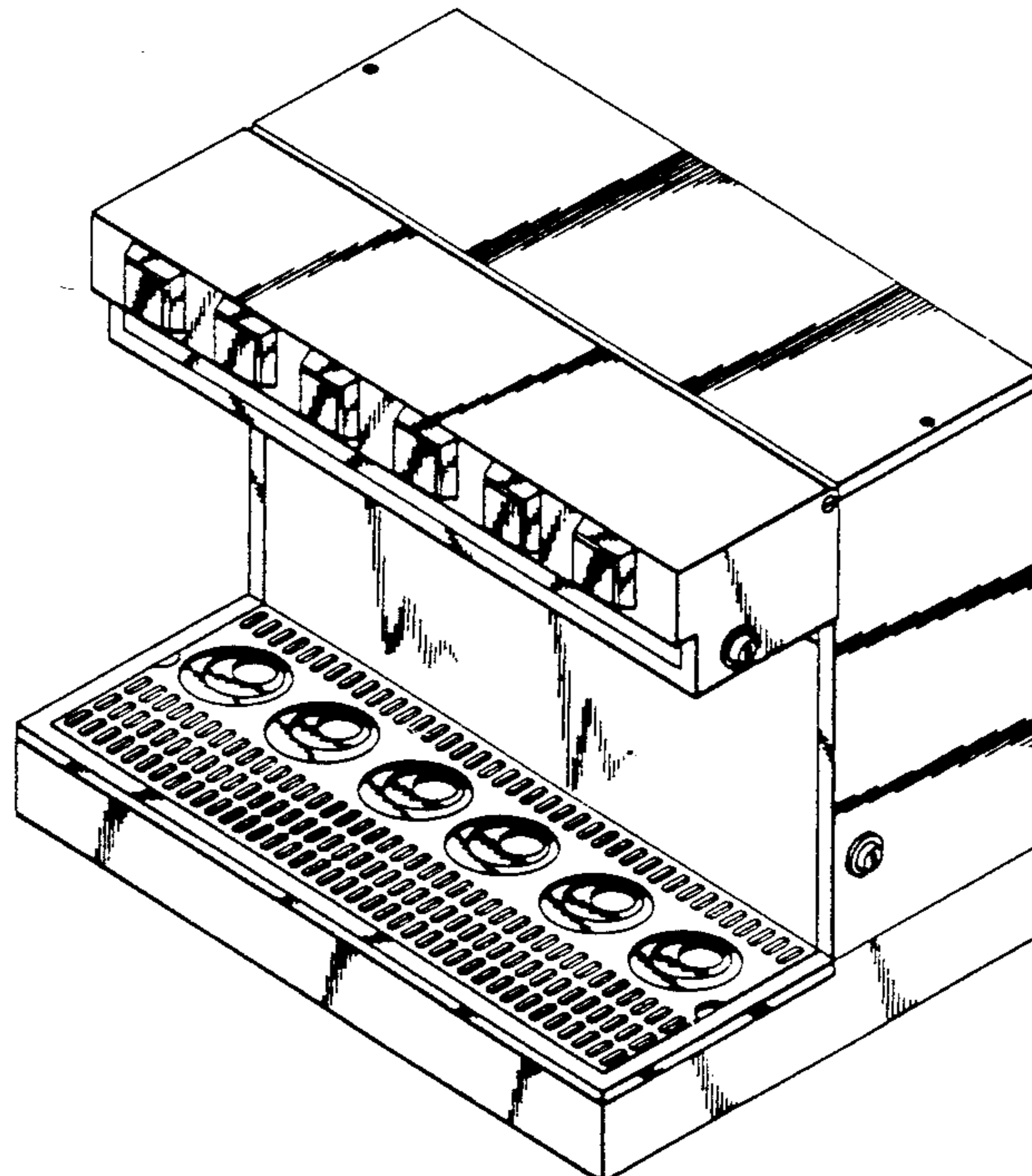
[58] Field of Search **D7/308, 300, 305, 306,**
D7/307, 311, 313, 309, 310; 222/129.1, 129.2,
129.3, 129.4

FIG. 1 is a top, front right side perspective view of a
beverage dispenser showing our new design;
FIG. 2 is a right side elevational view thereof;
FIG. 3 is a left side elevational view thereof;
FIG. 4 is a front elevational view thereof;
FIG. 5 is a top plan view thereof;
FIG. 6 is a rear elevational view thereof;
FIG. 7 is a bottom plan view thereof;
FIG. 8 is a top, front, right perspective view of a bever-
age dispenser showing a second embodiment of our new
design;
FIG. 9 is a front elevational view thereof;
FIG. 10 is a rear elevational view thereof;
FIG. 11 is a left side view thereof;
FIG. 12 is a right side view thereof;
FIG. 13 is a top plan view thereof; and,
FIG. 14 is a bottom plan view thereof.
The broken line showing four cups in FIG. 8 is for
illustrative purposes only and forms no part of the
claimed design.

[56] **References Cited**

U.S. PATENT DOCUMENTS

- D. 206,519 12/1966 Wolfe D7/308
- D. 298,400 11/1988 Frech D7/308
- D. 298,723 11/1988 Lambert D7/309
- D. 302,369 7/1989 Schechter et al. .
- D. 304,413 11/1989 Schechter et al. .
- D. 311,844 11/1990 Chase et al. D7/311 X
- D. 324,464 3/1992 Credle, Jr. et al. D7/308
- D. 324,795 3/1992 Hoover et al. D7/311 X



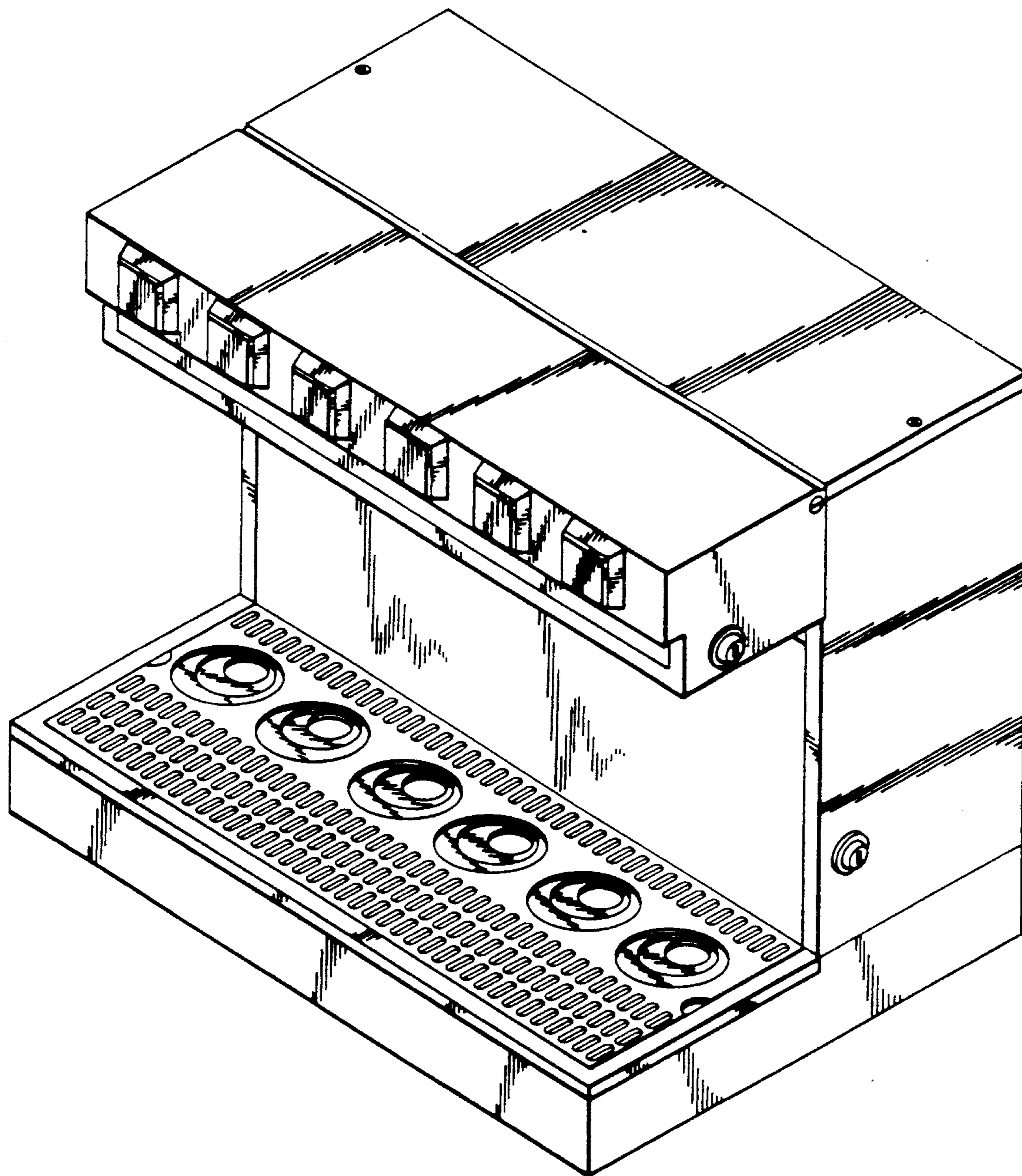


FIG 1

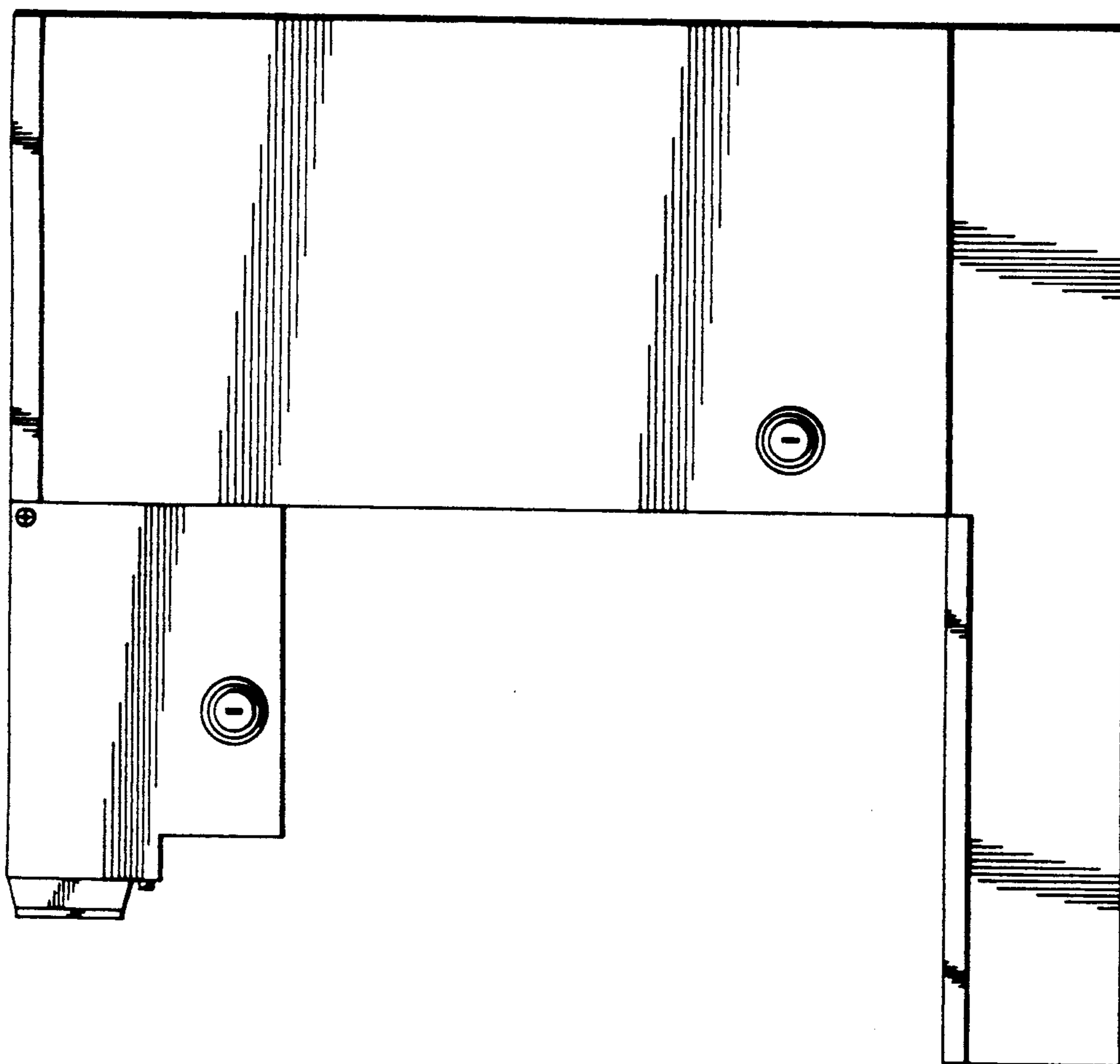


FIG 2

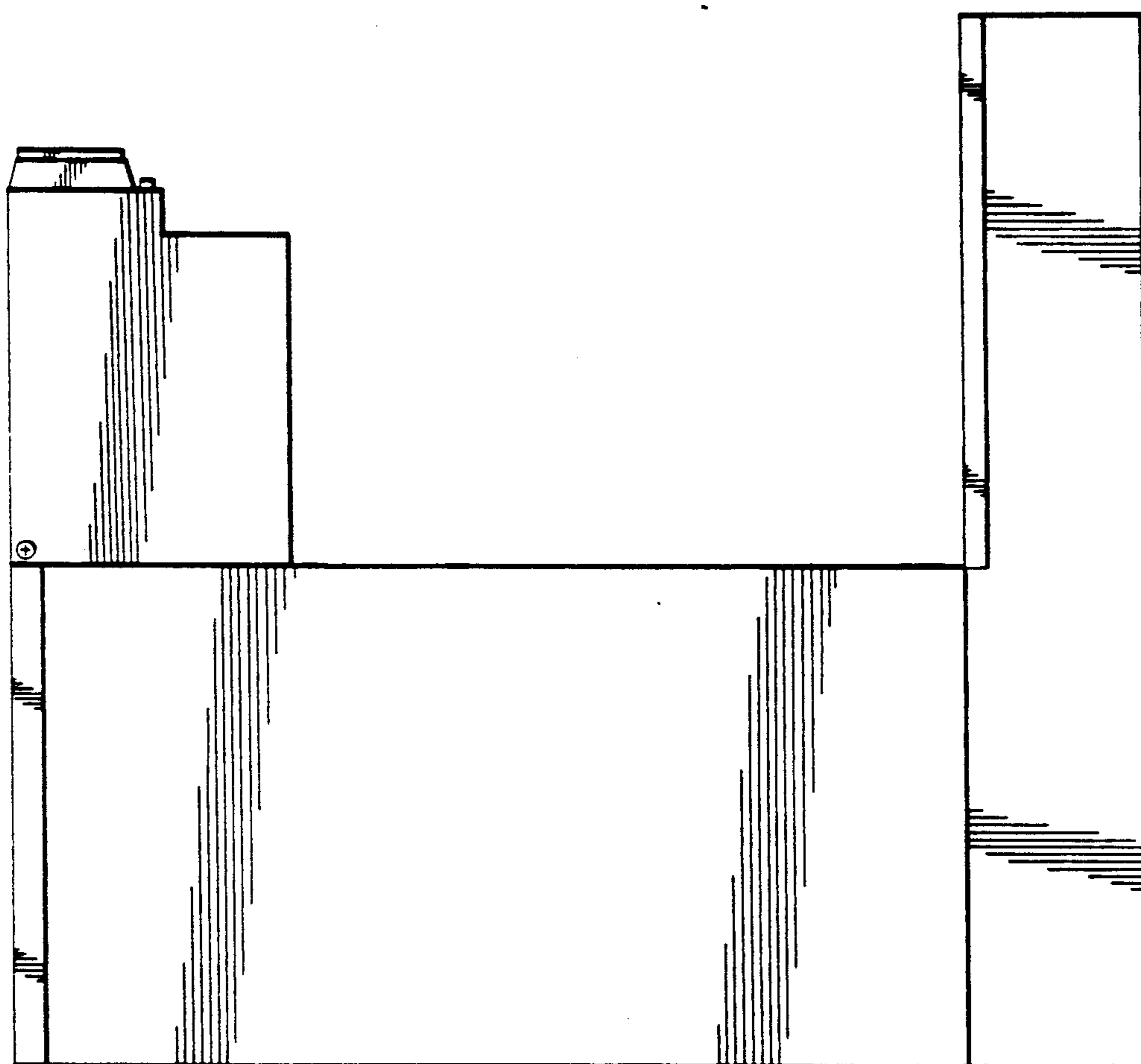


FIG 3

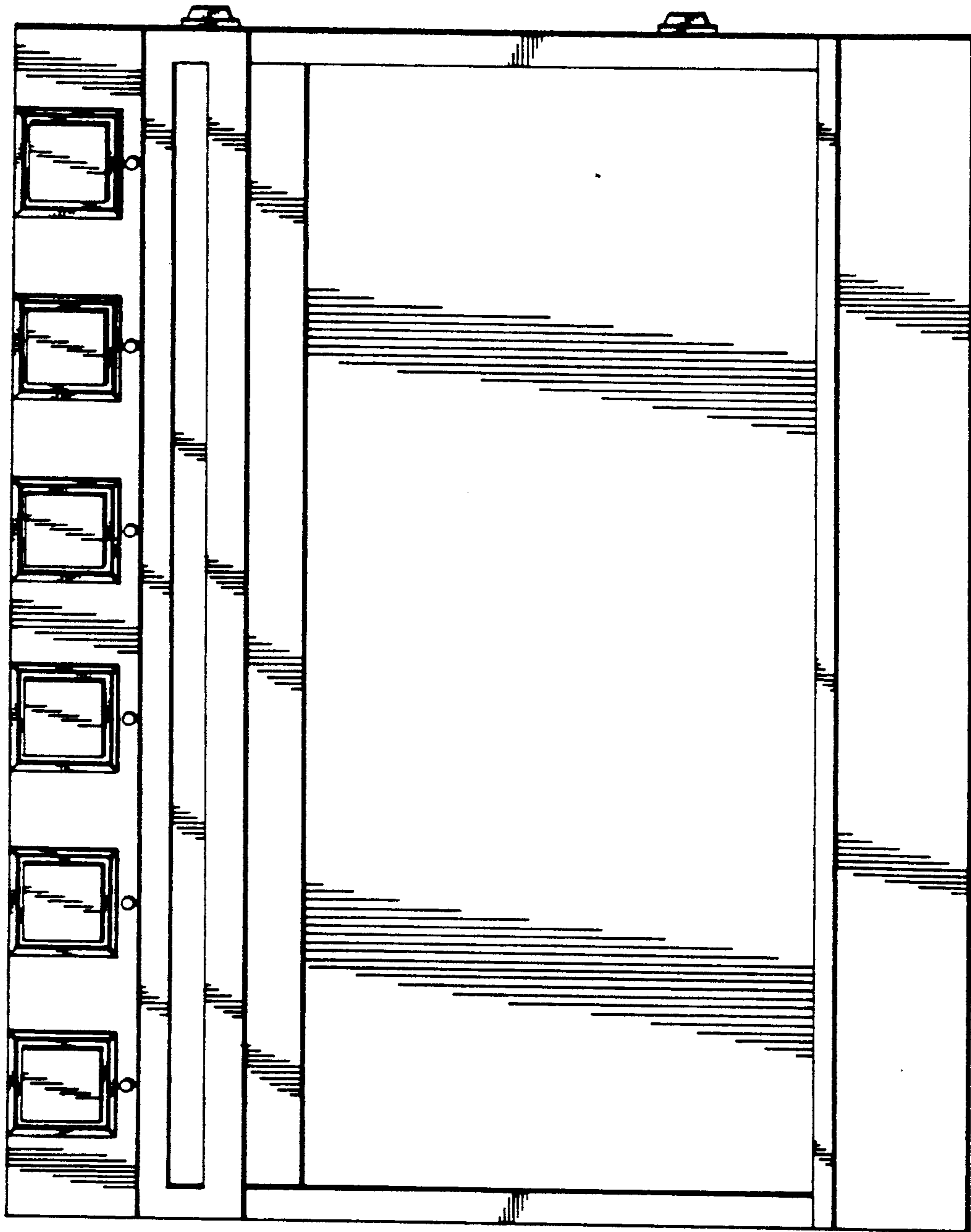


FIG 4

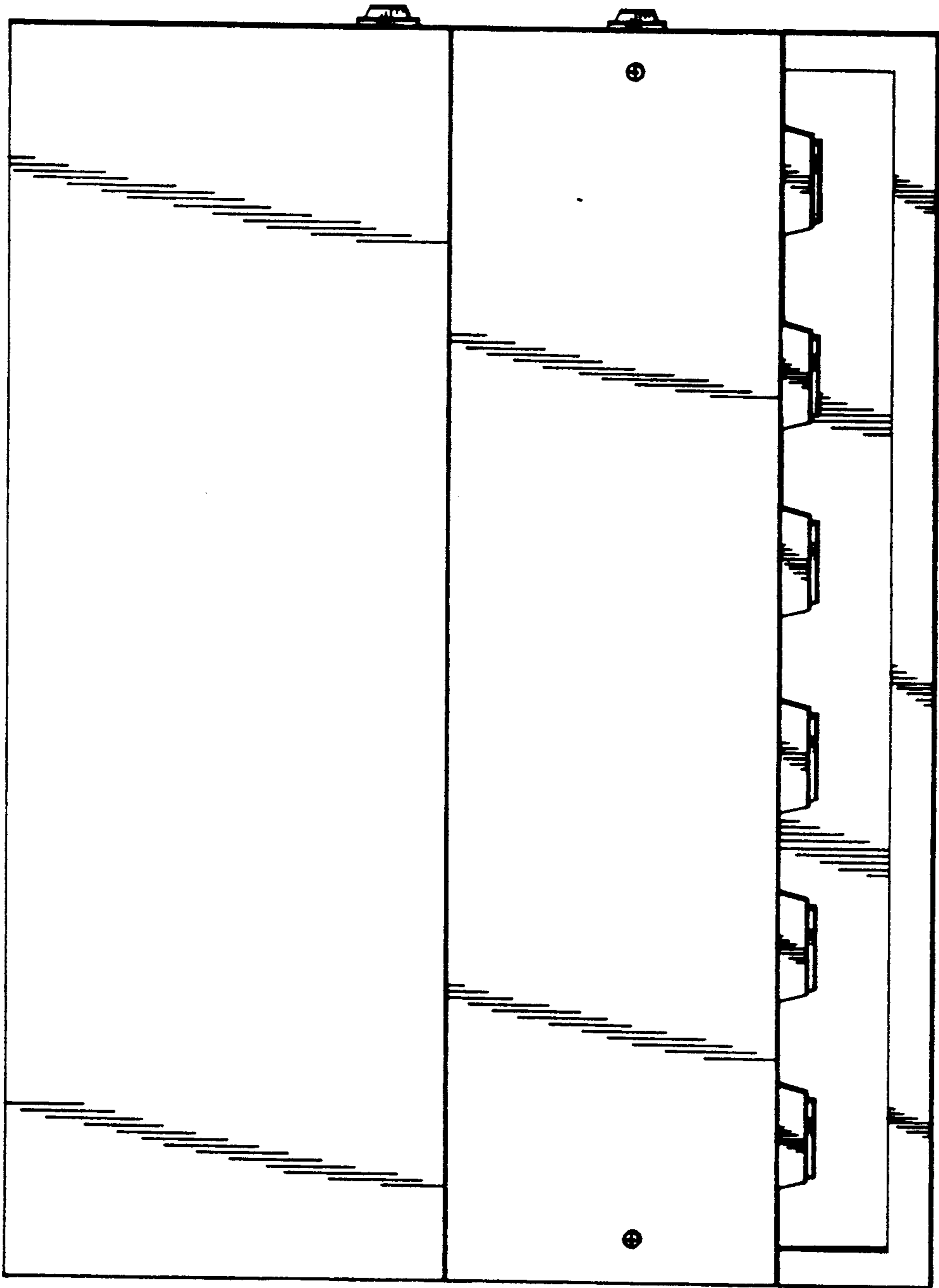


FIG 5

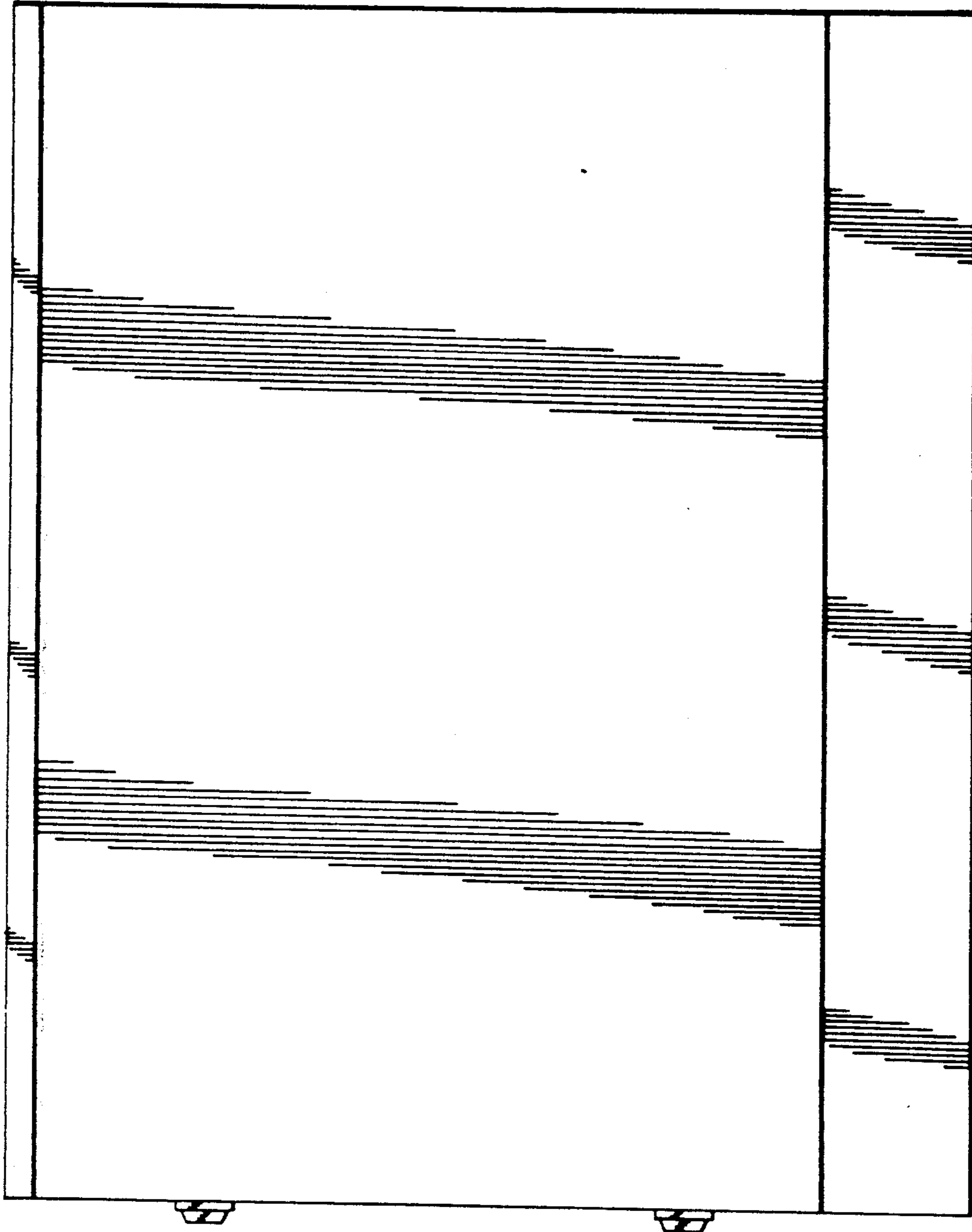


FIG 6

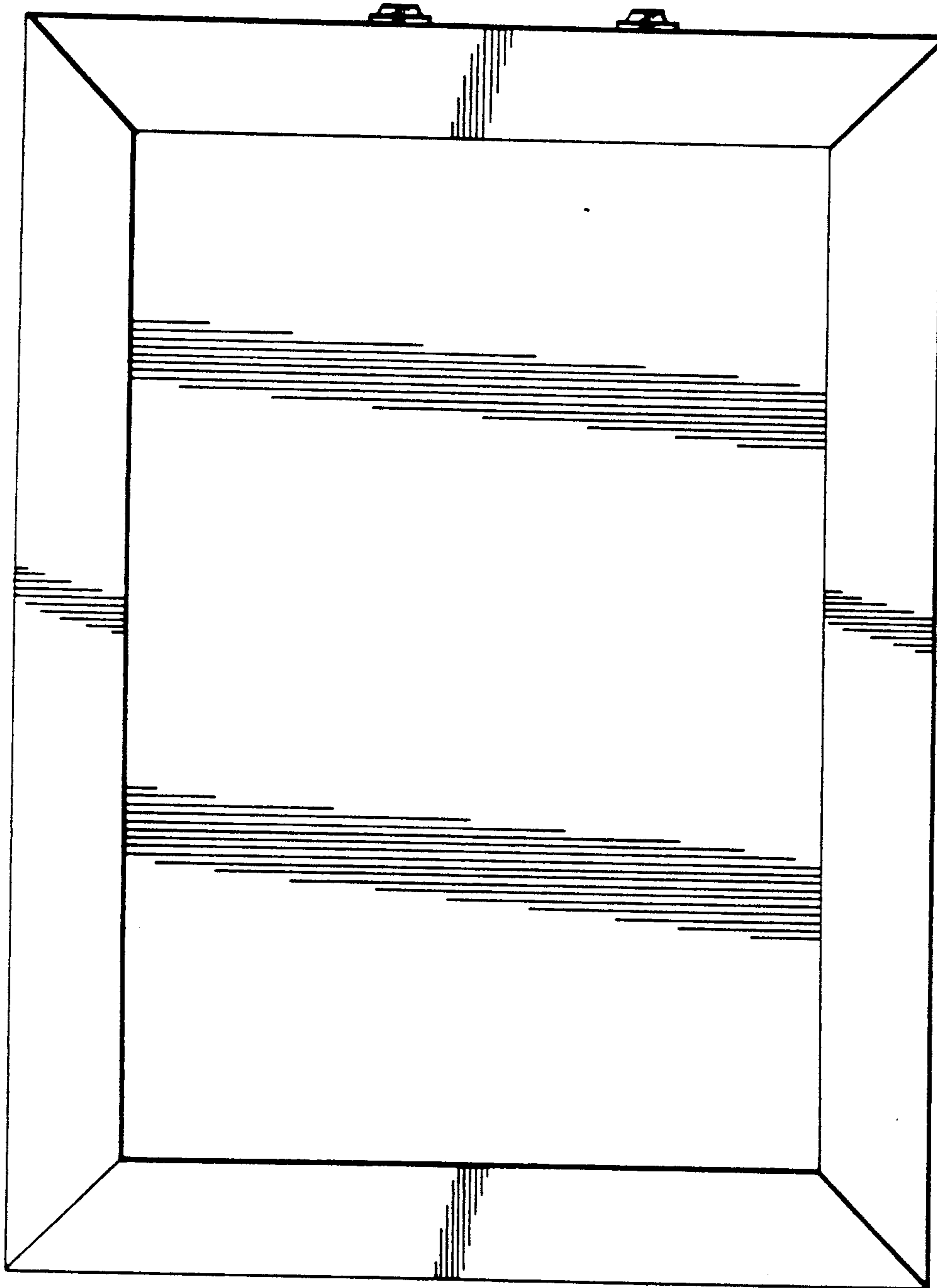


FIG 7

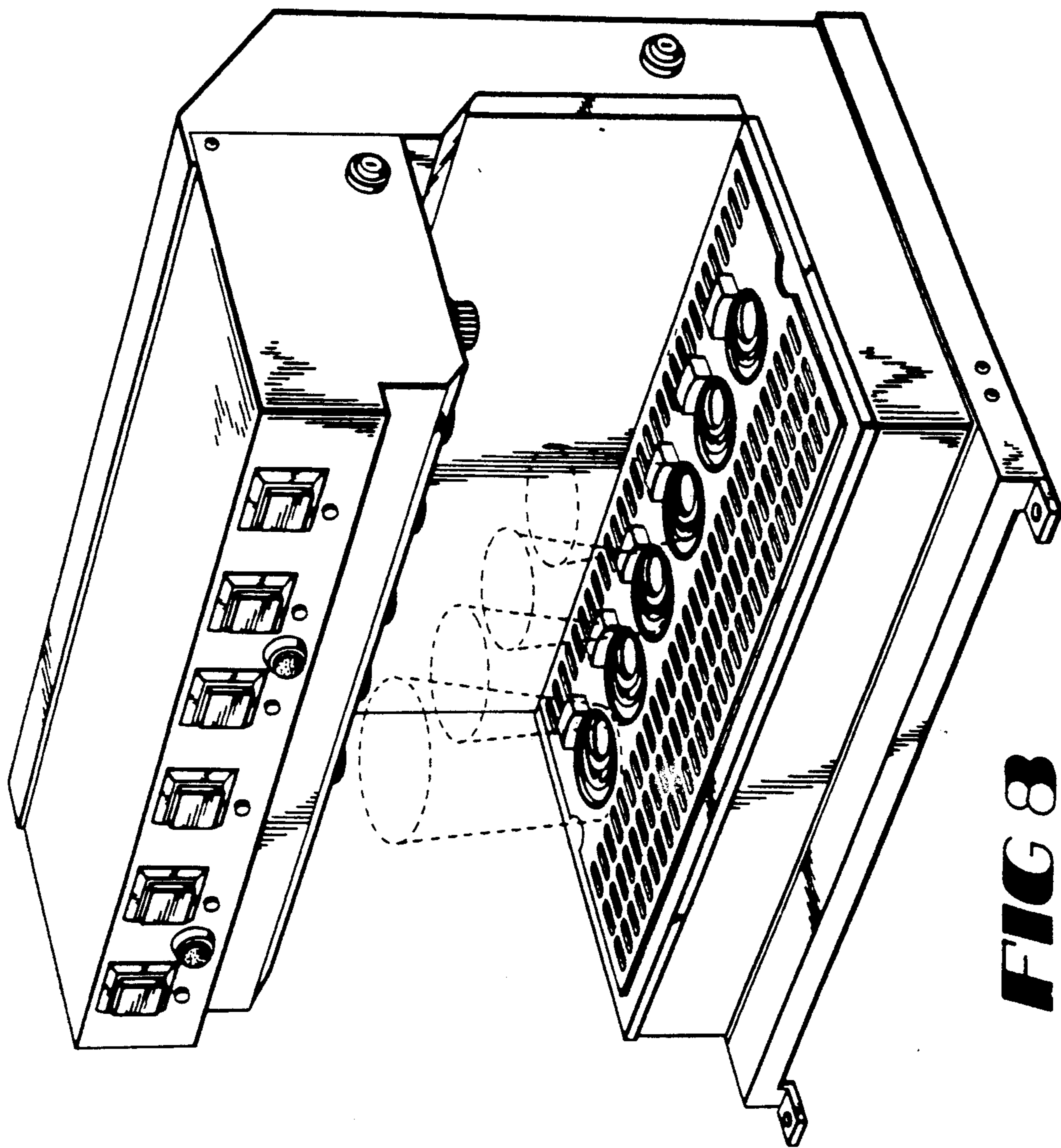


FIG 8

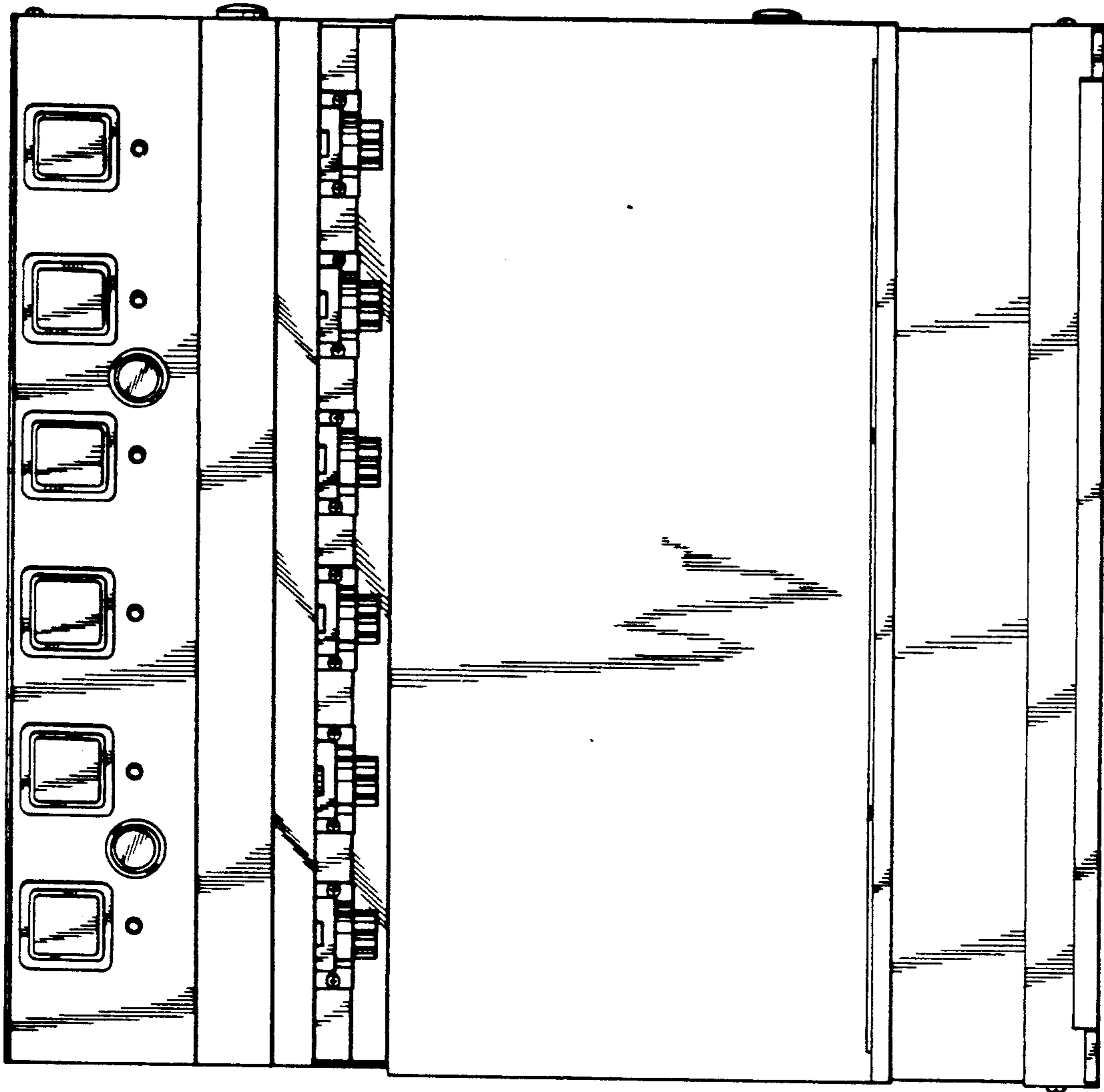


FIG 9

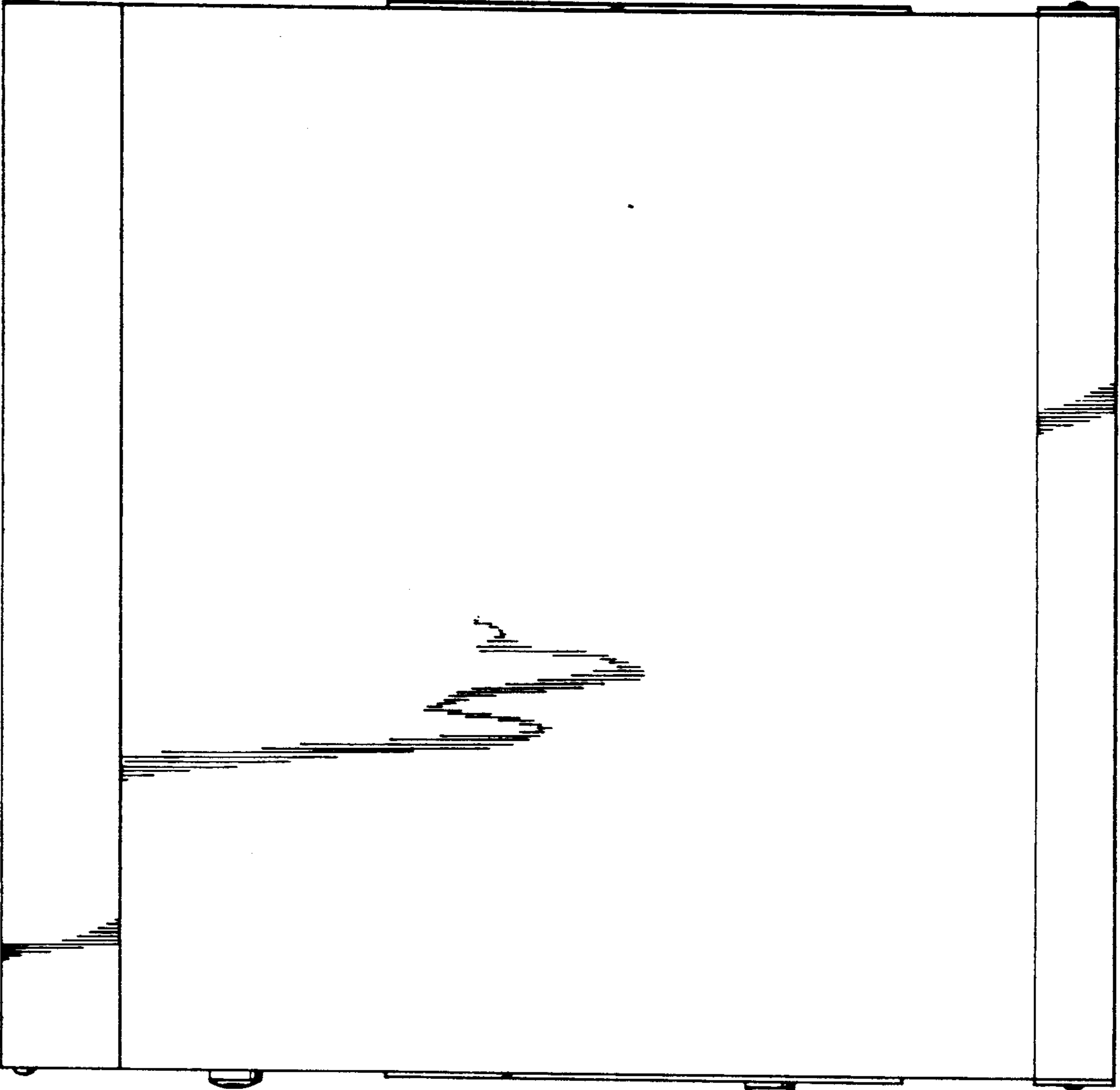


FIG 10

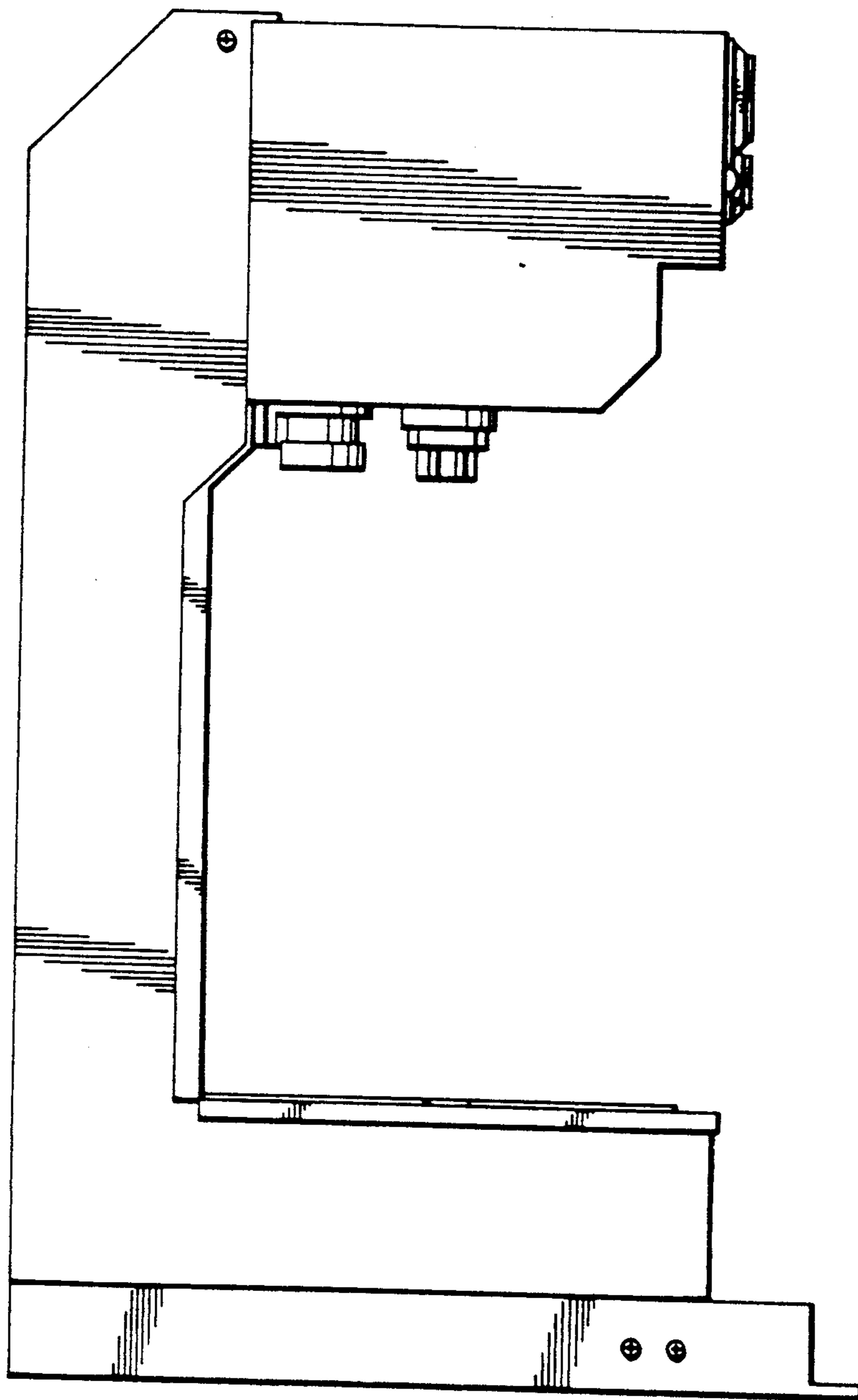


FIG 11

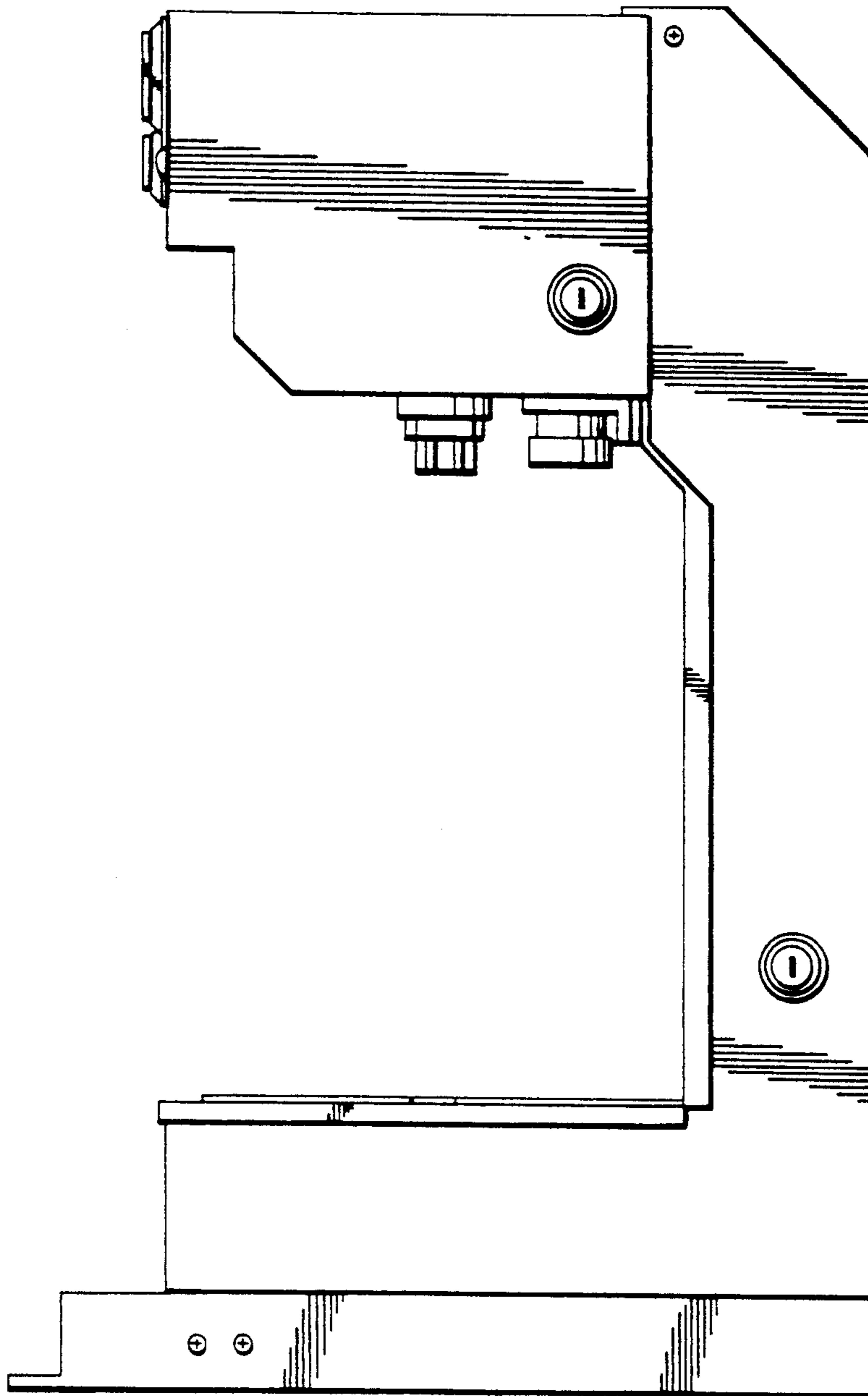


FIG 12

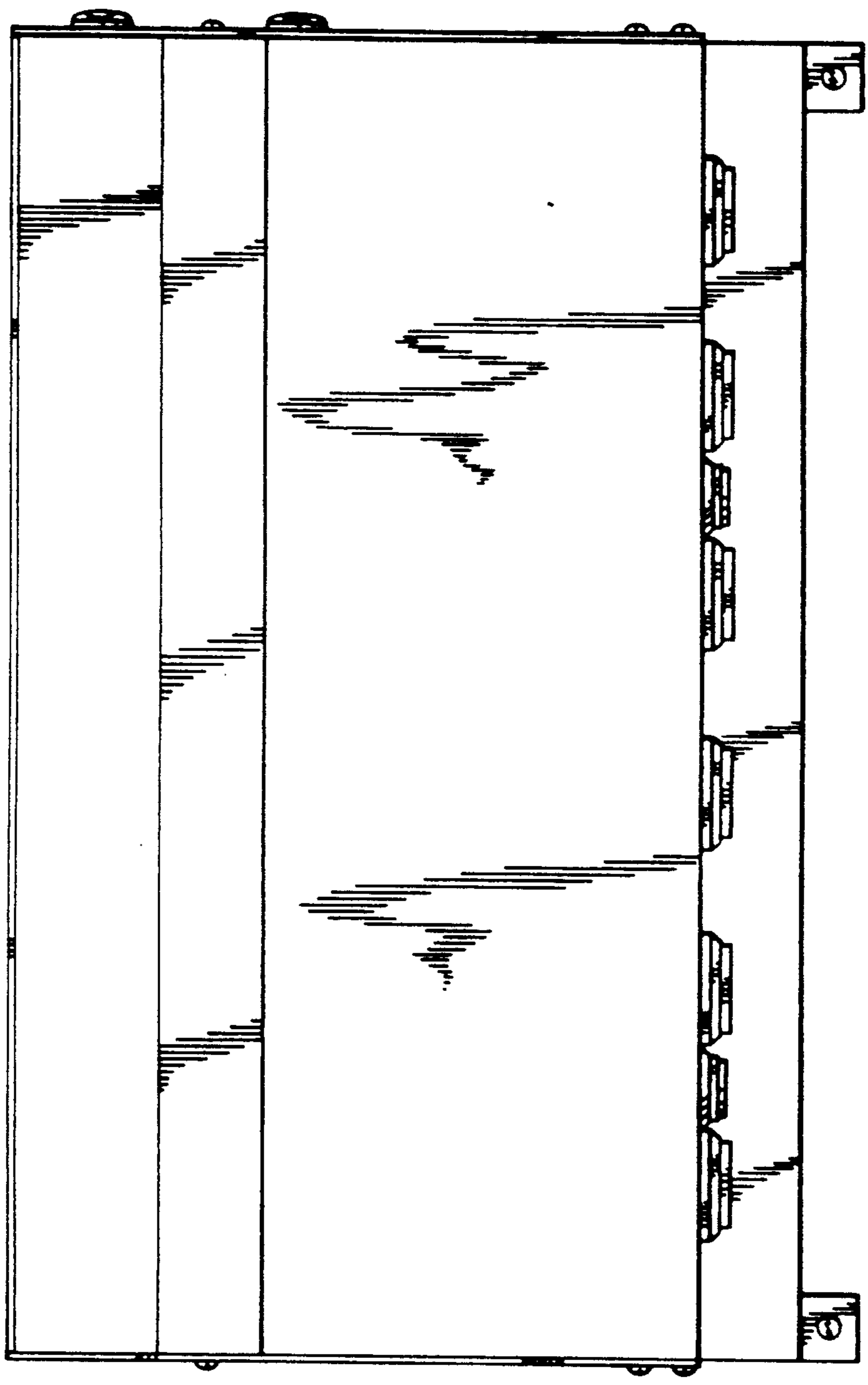


FIG 13

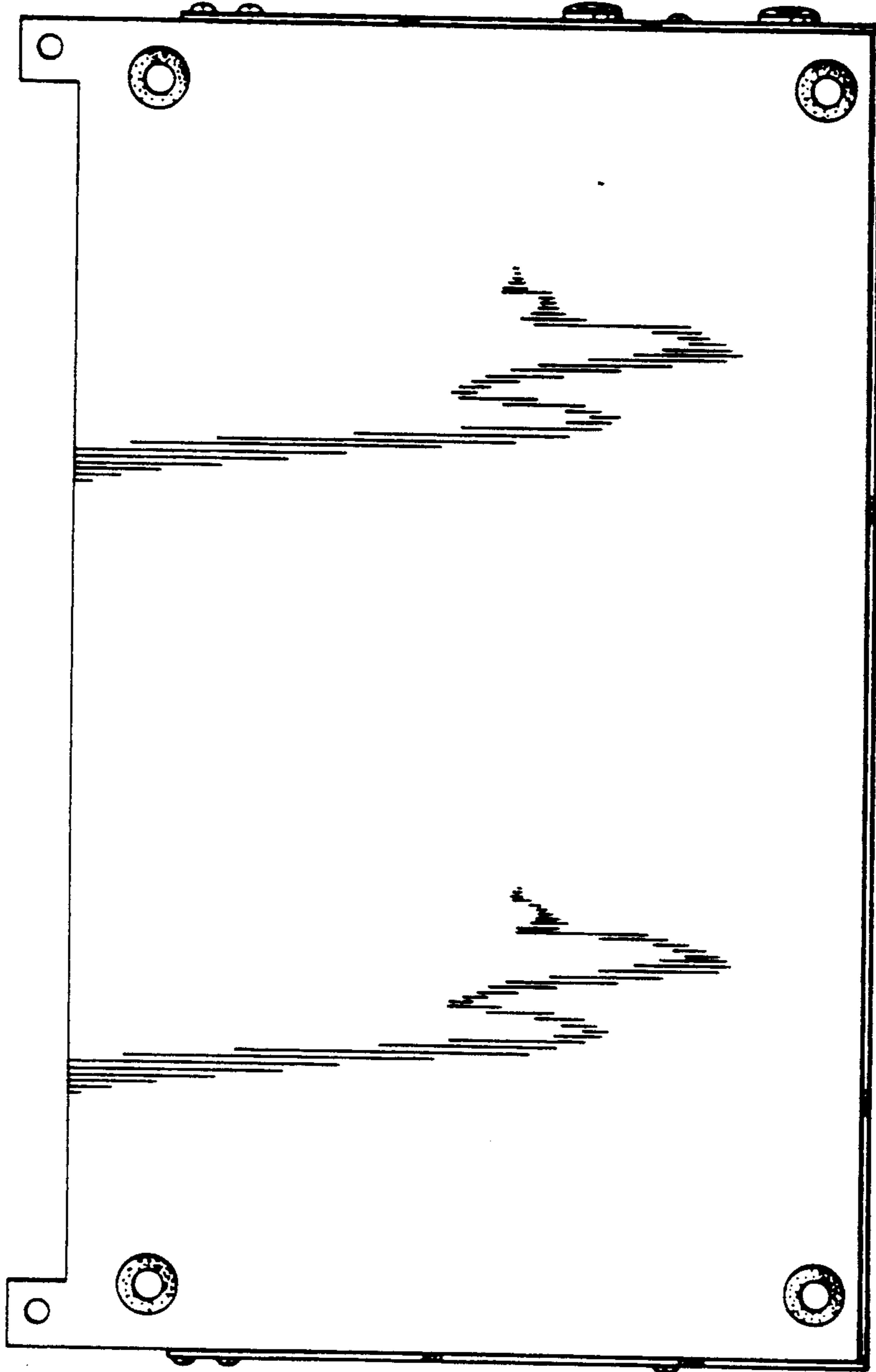


FIG 14