



US00D343329S

# United States Patent [19]

Ancona

[11] Patent Number: **Des. 343,329**

[45] Date of Patent: **\*\* Jan. 18, 1994**

[54] CARAFE

[76] Inventor: **Bruce Ancona**, 21 E. 22nd St., Apt. 6K, New York, N.Y. 10010

[\*\*] Term: **14 Years**

[21] Appl. No.: **4,861**

[22] Filed: **Mar. 2, 1993**

[52] U.S. Cl. .... **D7/302; D7/301**

[58] Field of Search ..... **D7/300, 301, 302, 303, D7/312, 316, 317, 318, 319, 321, 602, 619, 622, 623, 606, 515, 519, 514, 516; D9/307, 310, 329; 222/465.1, 475.1**

- D. 131,054 1/1942 Avetta .
- D. 171,118 6/1953 Basore ..... D44/21
- D. 200,414 2/1965 Karp ..... D9/310
- D. 259,334 5/1981 Sztuden ..... D7/310
- D. 329,961 10/1992 Sarnoff et al. .... D7/539
- D. 333,587 3/1993 Ancona et al. .... D7/301 X
- D. 337,486 7/1933 Maggiore ..... D7/606

*Primary Examiner*—Alan p. Douglas  
*Assistant Examiner*—Marianne N. Pandozzi  
*Attorney, Agent, or Firm*—James A. Drobile; Robert A. Koons, Jr.; Lois A. Gianneschi

### [57] CLAIM

The ornamental design for a carafe, as shown.

### DESCRIPTION

FIG. 1 is a front perspective view of a carafe showing my new design;  
FIG. 2 is a left side elevational view thereof;  
FIG. 3 is a top plan view thereof;  
FIG. 4 is bottom plan view thereof;  
FIG. 5 is a front elevational view thereof; and,  
FIG. 6 is a rear elevational view thereof.

[56]

### References Cited

#### U.S. PATENT DOCUMENTS

- D. 2,522 12/1866 Ware ..... D9/310
- D. 48,993 5/1916 Spencer .
- D. 76,409 1/1928 McEldowney ..... D7/303
- D. 78,448 5/1929 Coster ..... D9/310
- D. 93,243 7/1933 Scott ..... D7/516





**FIG. 1**



FIG. 2

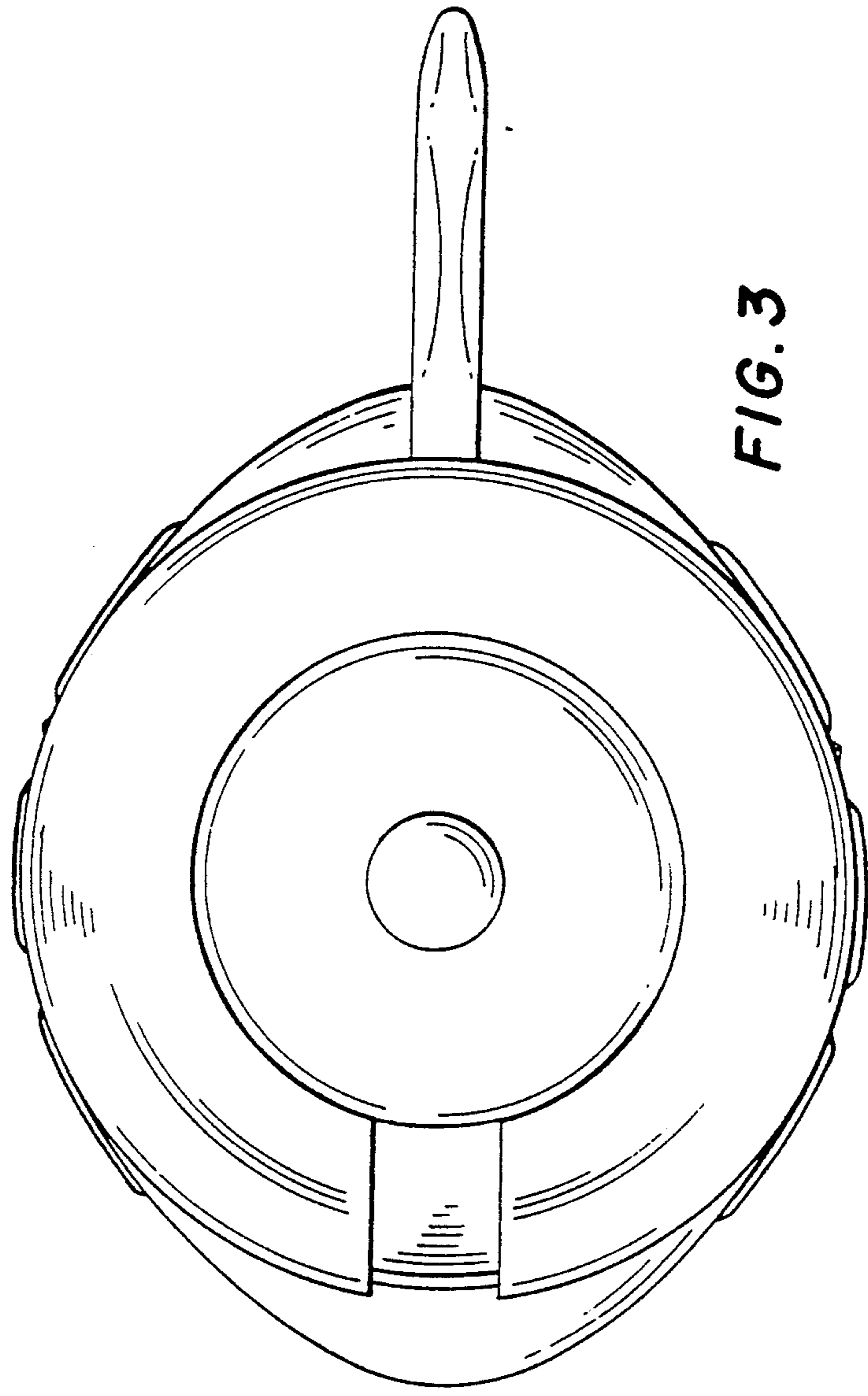


FIG. 3

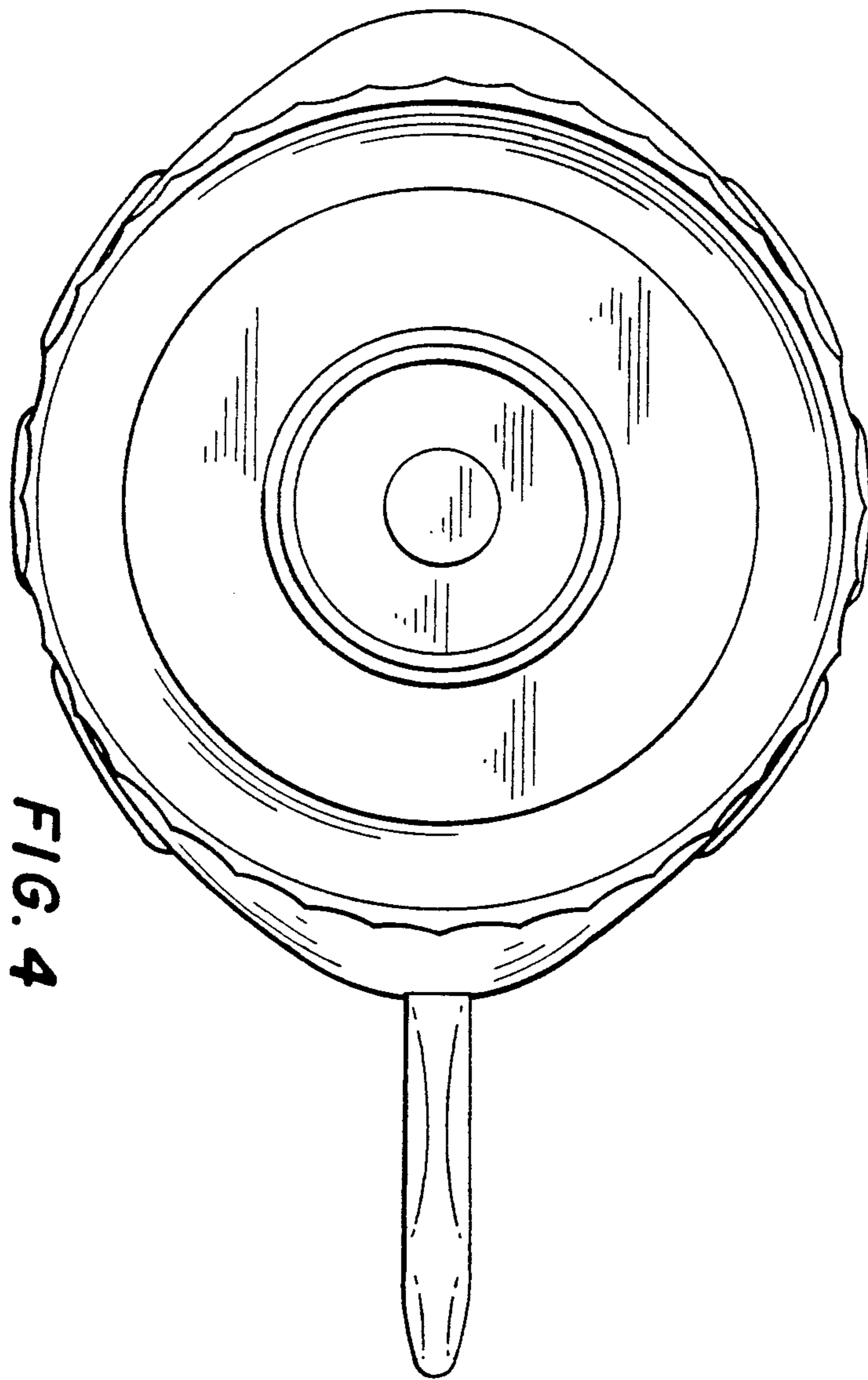
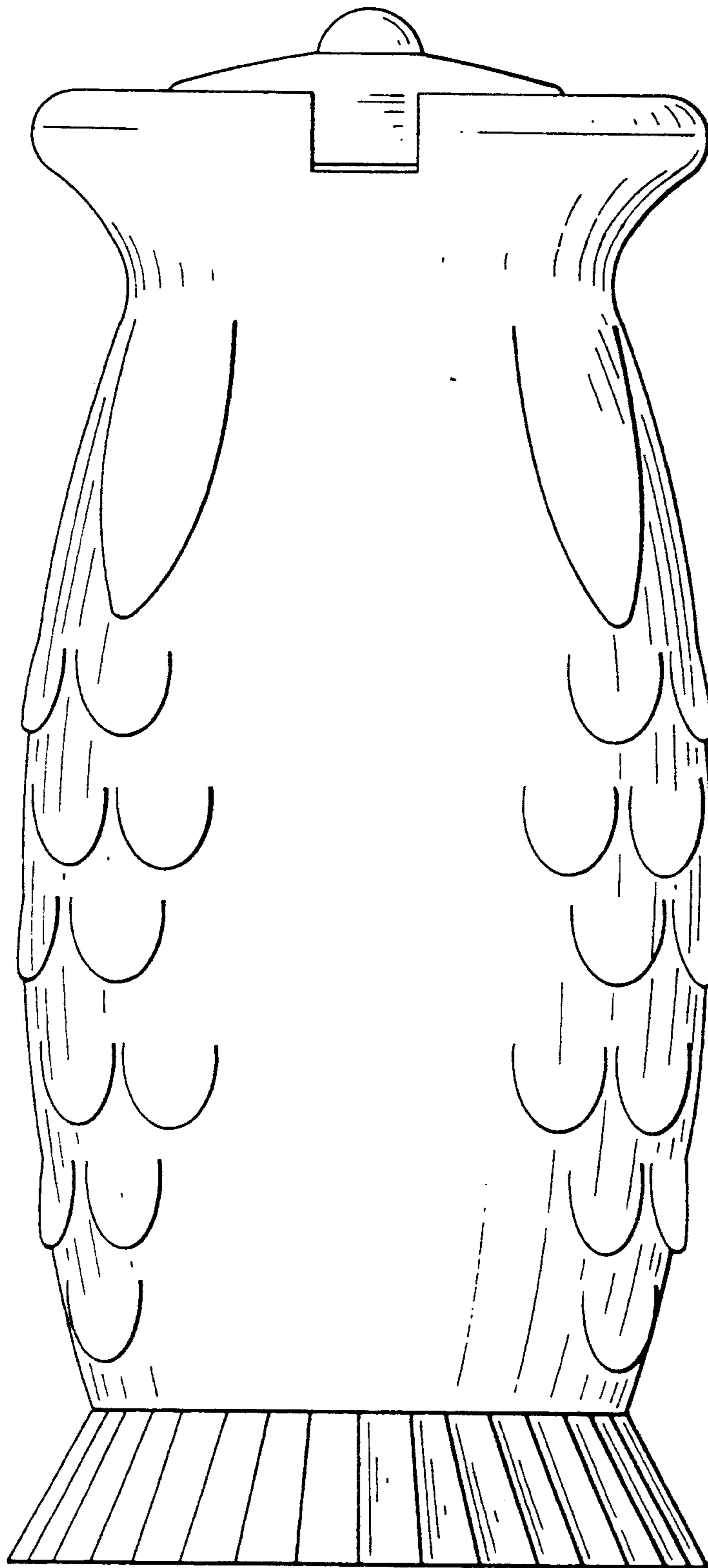


FIG. 4



**FIG. 5**

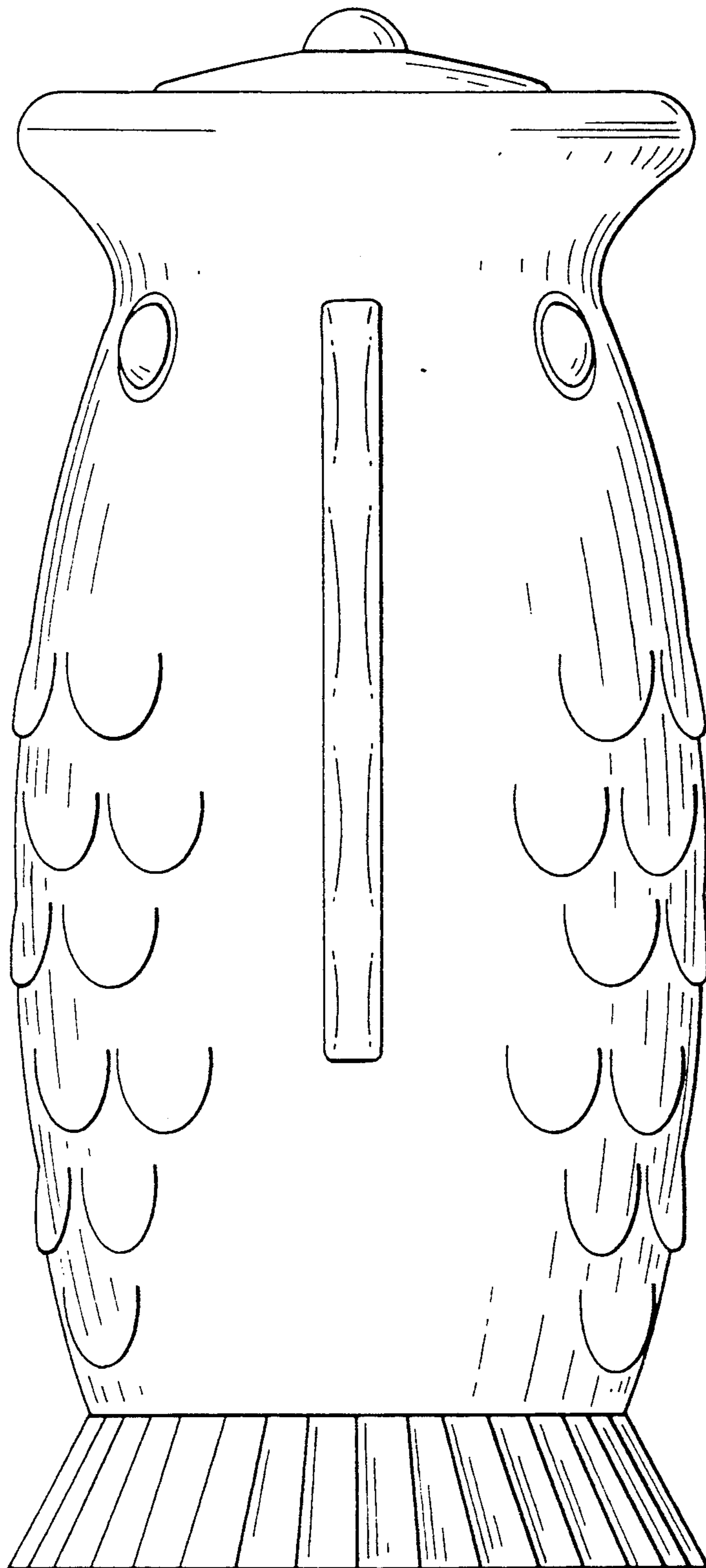


FIG. 6