



US00D343320S

United States Patent [19] Smith

[11] Patent Number: Des. 343,320

[45] Date of Patent: ** Jan. 18, 1994

[54] BICYCLE SUPPORT RACK

[76] Inventor: Robert J. Smith, 43 Warwick St.,
Penrith, New South Wales 2750,
Australia

[**] Term: 14 Years

[21] Appl. No.: 740,765

[22] Filed: Aug. 6, 1991

[52] U.S. Cl. D6/552

[58] Field of Search D6/512, 546, 548-549,
D6/552, 553, 566, 567, 569, 572; 211/5, 13,
17-20, 60.1, 65-66, 86-87; 248/302, 309.1, 314,
316.8

[56] References Cited

U.S. PATENT DOCUMENTS

- D. 231,167 4/1974 Stap D6/552
- D. 282,705 2/1986 Chap D6/553 X

- 2,222,831 11/1940 Bitney D6/553 X
- 2,931,513 4/1960 Gignoli D6/572
- 4,356,922 11/1982 Dierksheide 211/13
- 4,723,663 2/1988 Learn 211/66 X

Primary Examiner—Brian N. Vinson

[57] CLAIM

The ornamental design for a bicycle support rack, as shown and described.

DESCRIPTION

FIG. 1 is a perspective view, from the left side, of the bicycle support rack showing the present design, the right side of said design being a mirror image thereof; FIG. 2 is an elevational, left side view of the bicycle support rack of FIG. 1; the right side view of said design being a mirror image thereof; FIG. 3 is a bottom view of the bicycle support rack of FIG. 1; and, FIG. 4 is a top view of the bicycle support rack of FIG. 1.

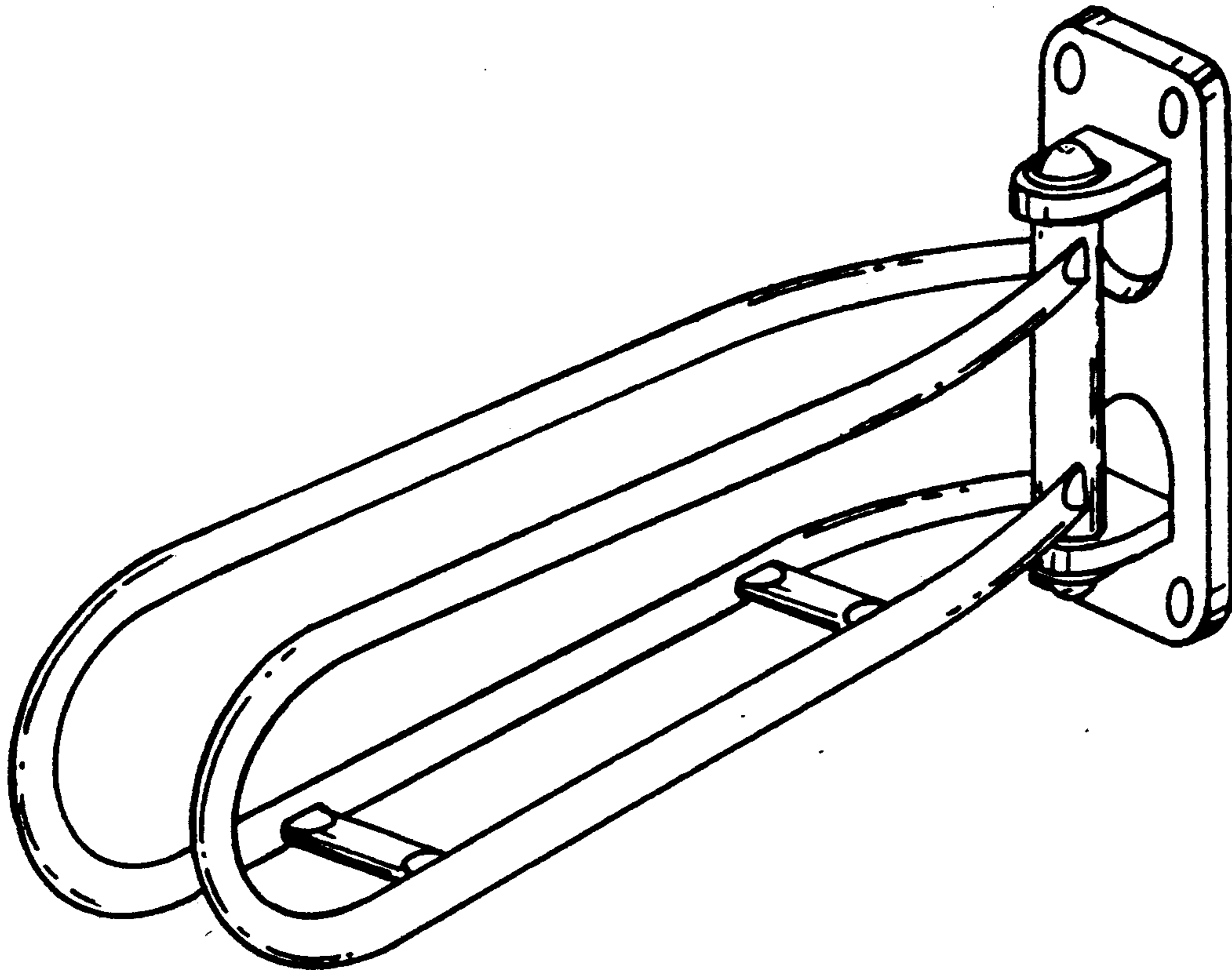


FIG. 1.

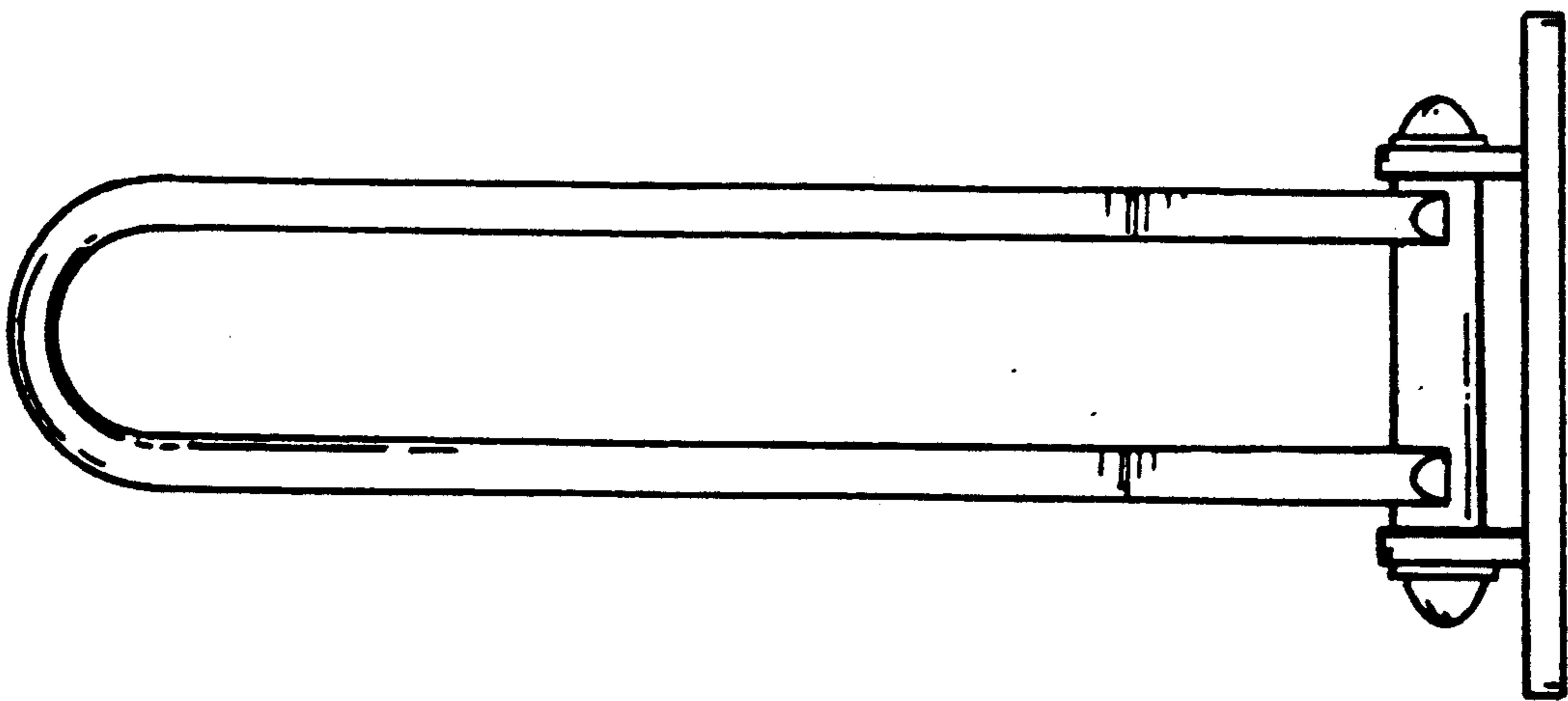
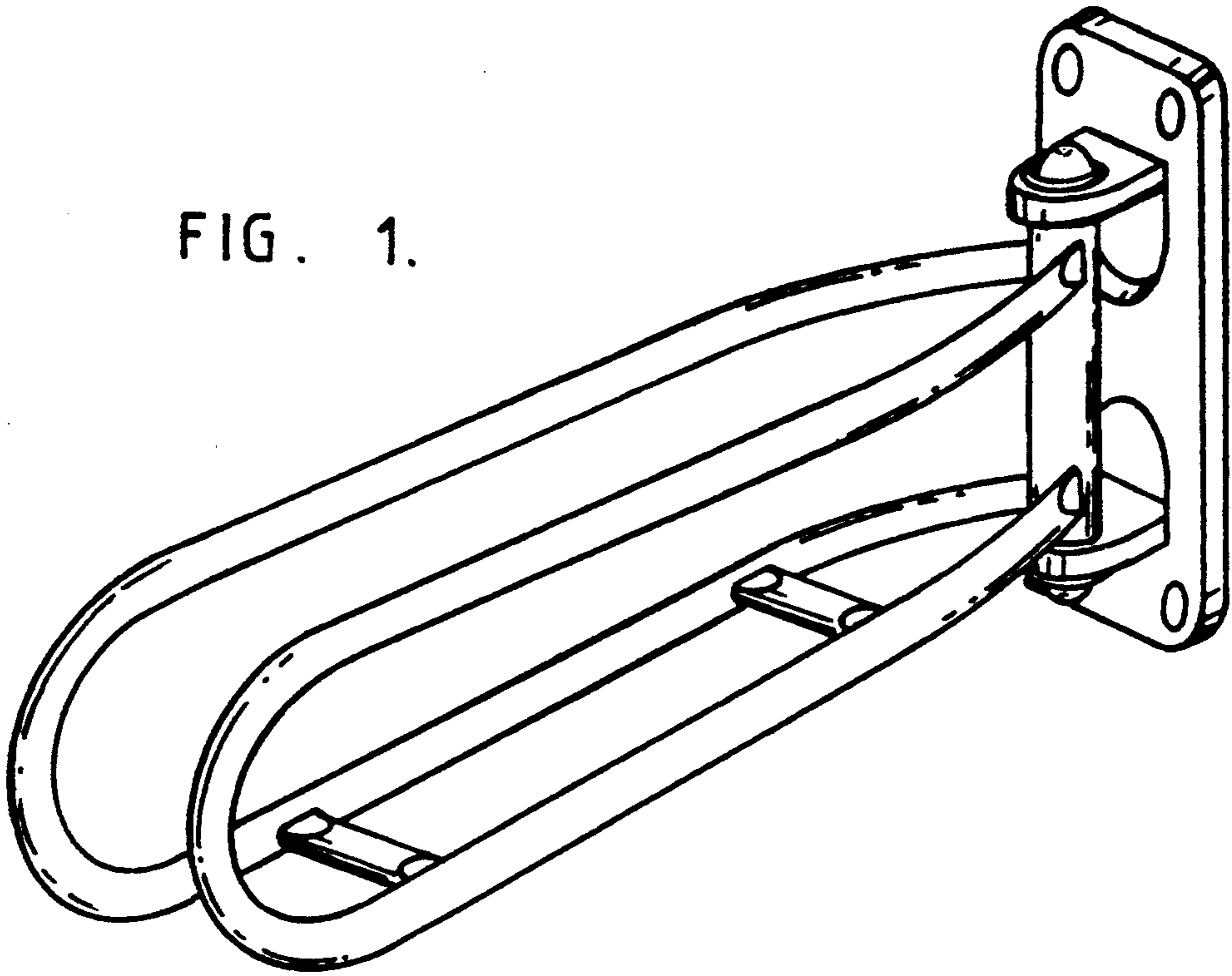


FIG. 2.

FIG. 3.

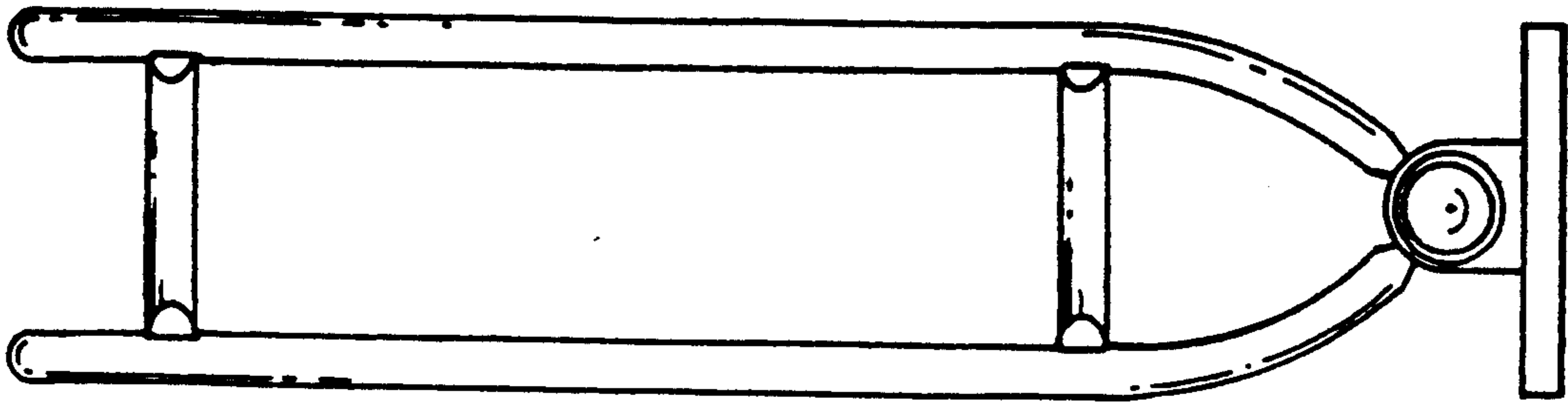


FIG. 4.

