



US00D343316S

# United States Patent [19]

[11] Patent Number: Des. 343,316

Maurer

[45] Date of Patent: \*\* Jan. 18, 1994

## [54] HEAD REST

[76] Inventor: **Brian Maurer**, #4-223 Village Terr.  
SW, Calgary, Alberta, Canada,  
T3H-2L4

[\*\*] Term: **14 Years**

[21] Appl. No.: **504,993**

[22] Filed: **Apr. 4, 1990**

[52] U.S. Cl. .... **D6/502**

[58] Field of Search ..... D6/363, 370, 373, 374,  
D6/375, 379, 464, 487, 499, 500, 501, 502, 503,  
524, 566, 567, 570, 578, 580, 581; 297/DIG. 6,  
219, 220, 397, 391, 400, 441, 457, 464;  
211/105.2, 105.3; 5/134, 434, 442, 472, 498

## [56] References Cited

### U.S. PATENT DOCUMENTS

D. 195,197	5/1963	Requa	.....	D6/502
3,043,626	7/1962	Requa	.....	297/397
3,101,217	8/1963	Requa	.....	297/391
3,578,383	5/1971	Earl	.....	297/391
4,447,922	5/1984	Brochu	.....	297/391 X
4,738,488	4/1988	Camelio	.	

## FOREIGN PATENT DOCUMENTS

1314885	12/1962	France	.....	5/434
1459267	10/1966	France	.....	297/397
1490939	6/1967	France	.....	297/400

## OTHER PUBLICATIONS

Disclosure Document #247,774 filed Mar. 15, 1990.

*Primary Examiner*—Alan P. Douglas  
*Assistant Examiner*—Monica A. Hannon  
*Attorney, Agent, or Firm*—Terry M. Gernstein

## [57] CLAIM

The ornamental design for a head rest, as shown and described.

## DESCRIPTION

FIG. 1 is an exploded perspective view of a head rest showing my new design;  
FIG. 2 is a front elevational view thereof;  
FIG. 3 is an end elevational view thereof;  
FIG. 4 is a rear elevational view thereof;  
FIG. 5 is an end elevational view thereof; and,  
FIG. 6 is a top plan view thereof, the bottom being unadorned.

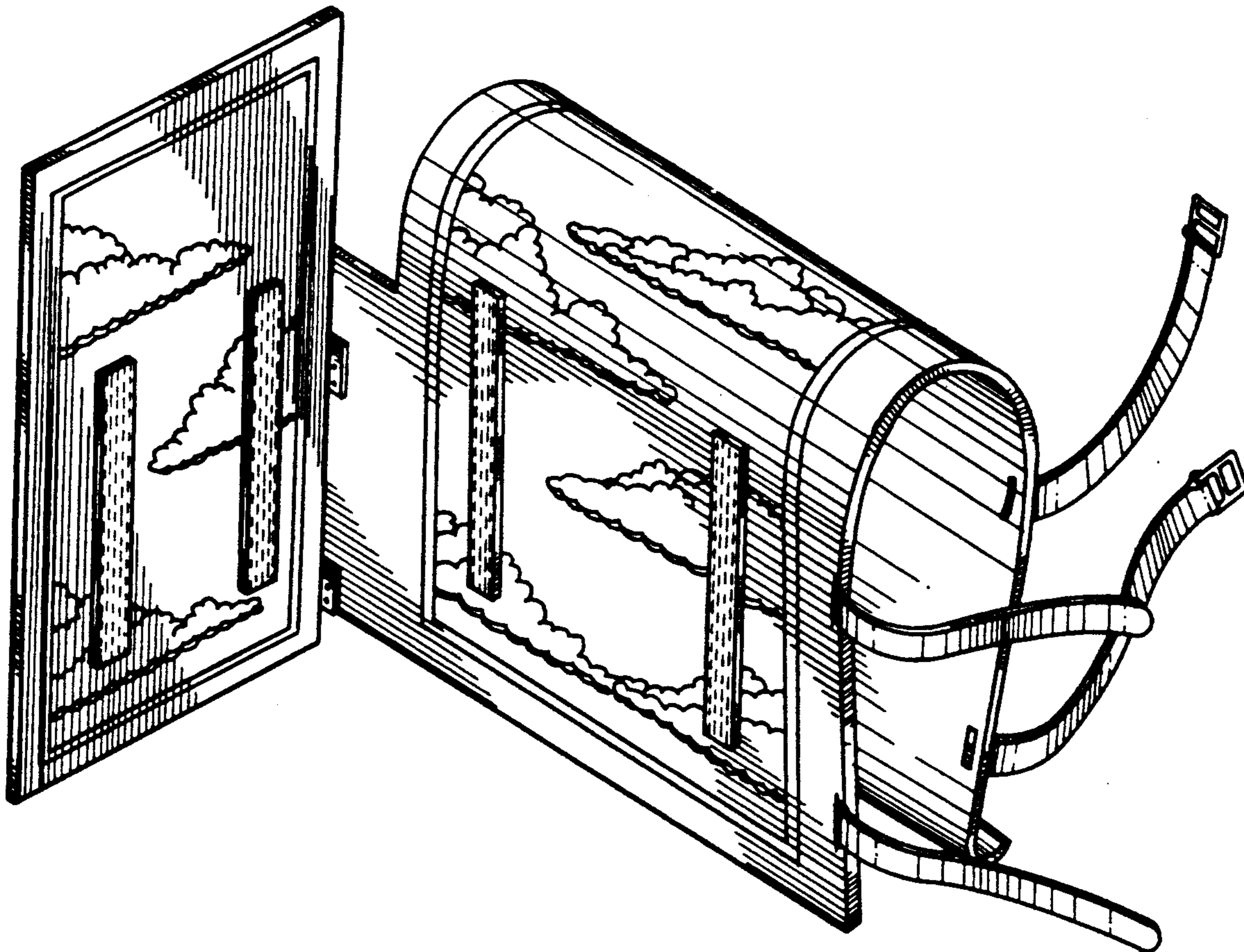
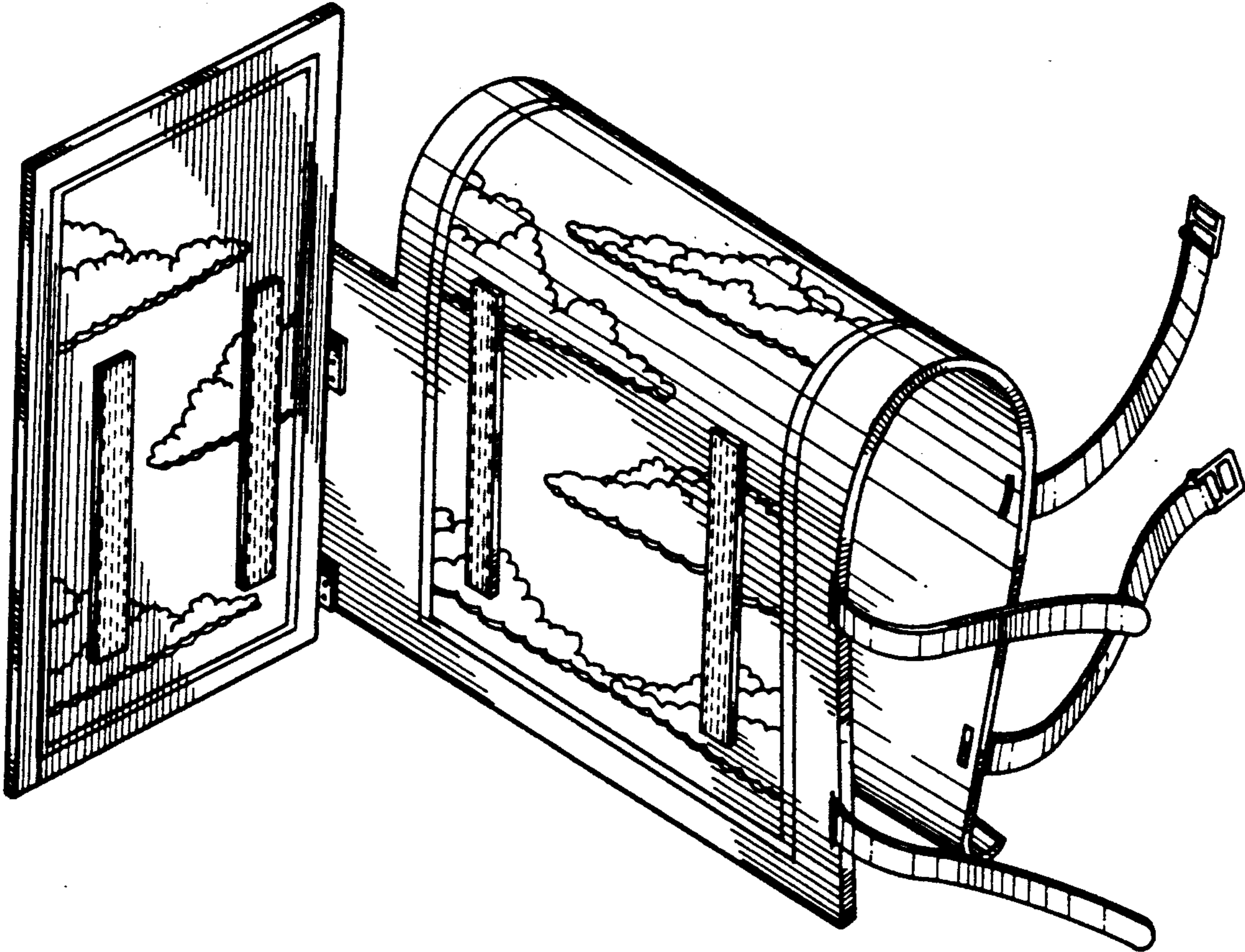


FIG. 1.





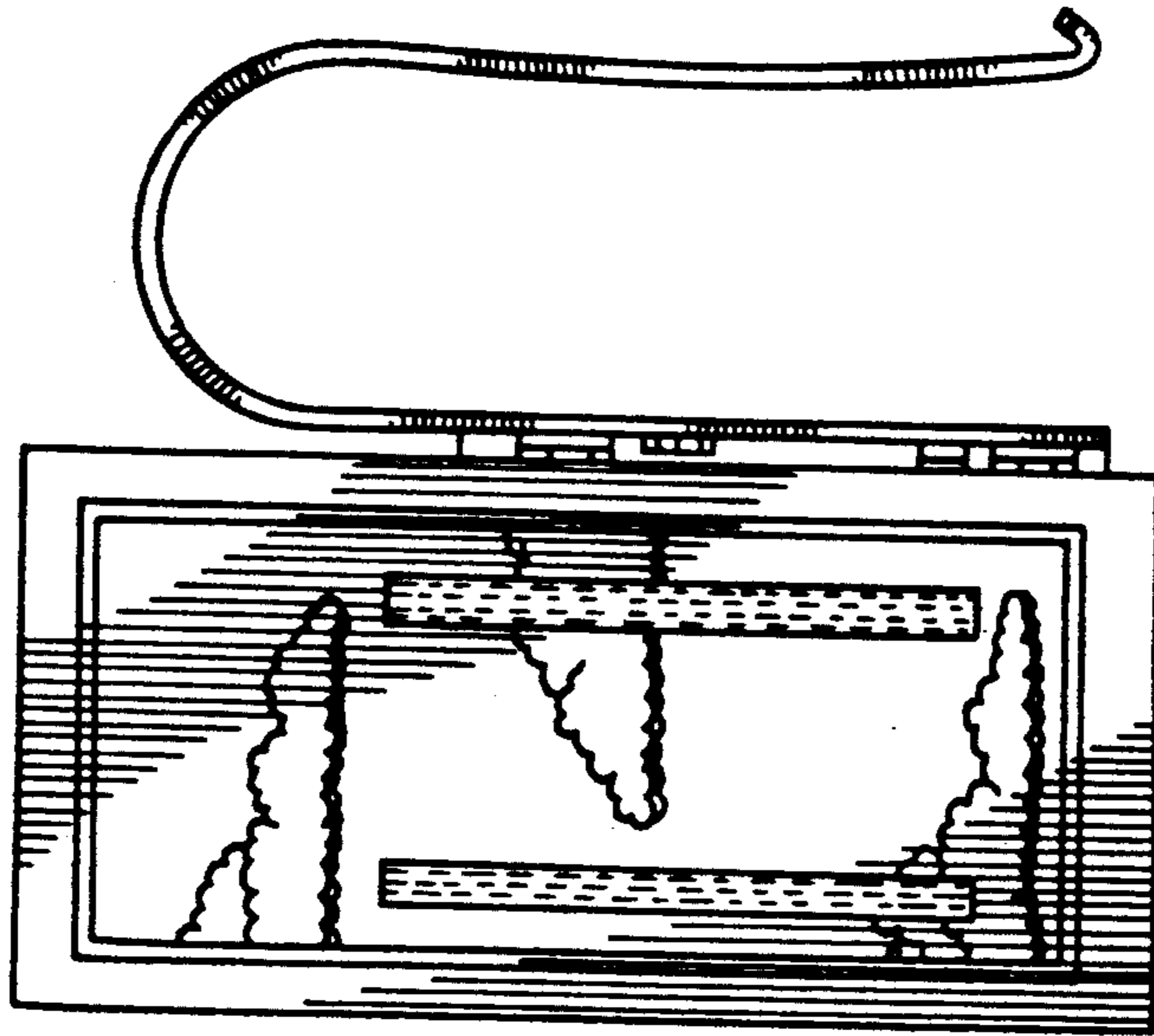


FIG. 3.

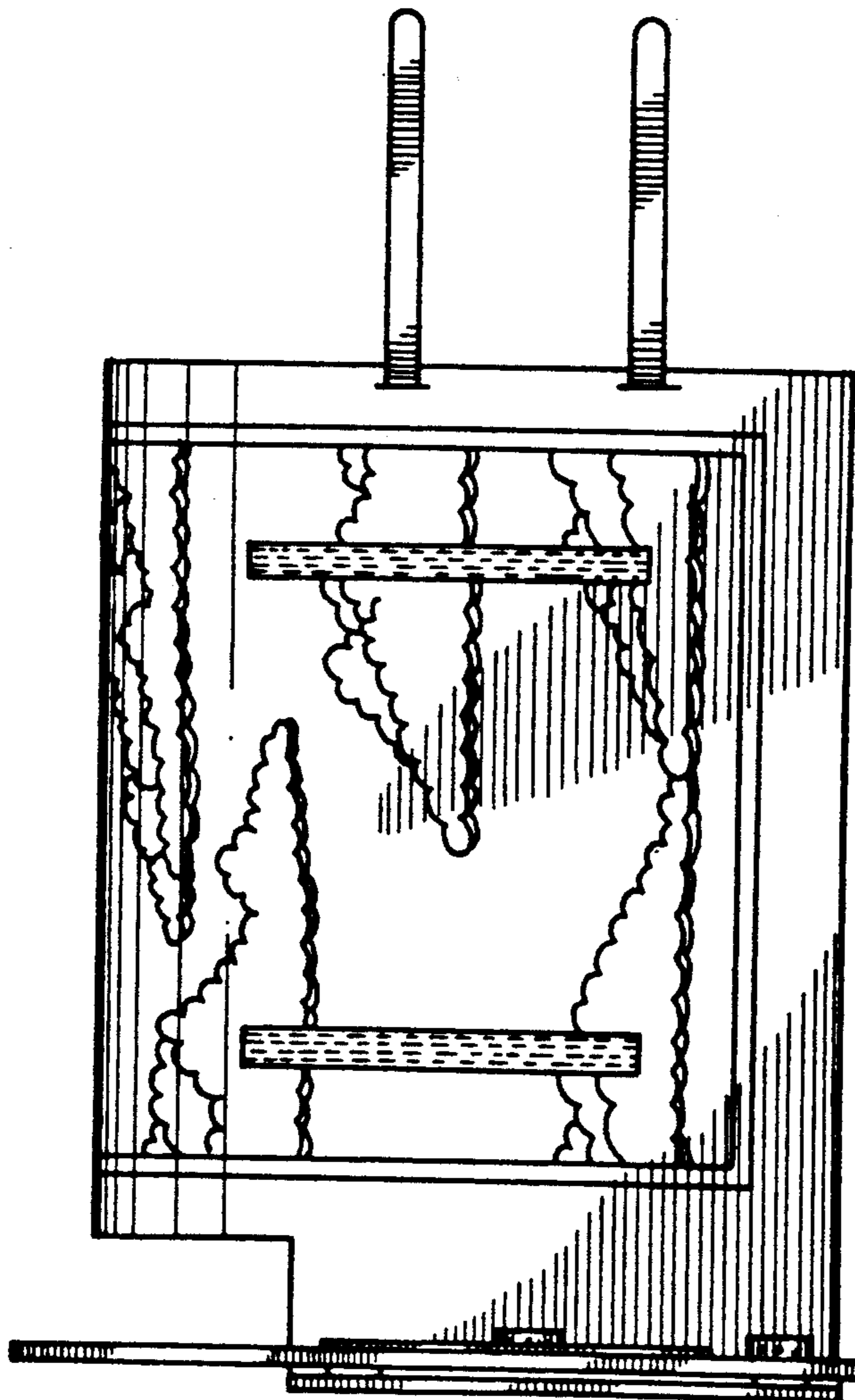


FIG. 2.

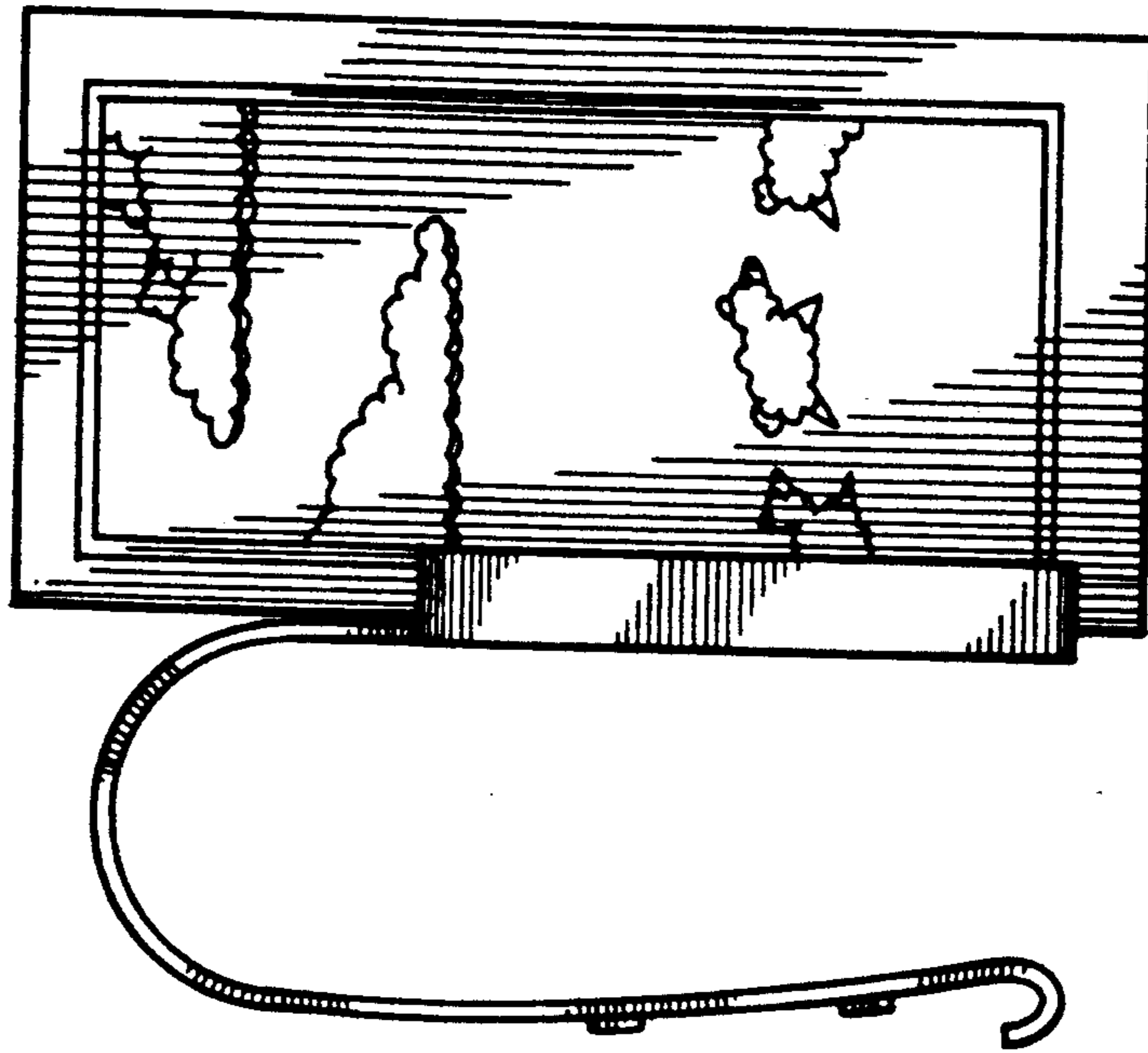


FIG. 5.

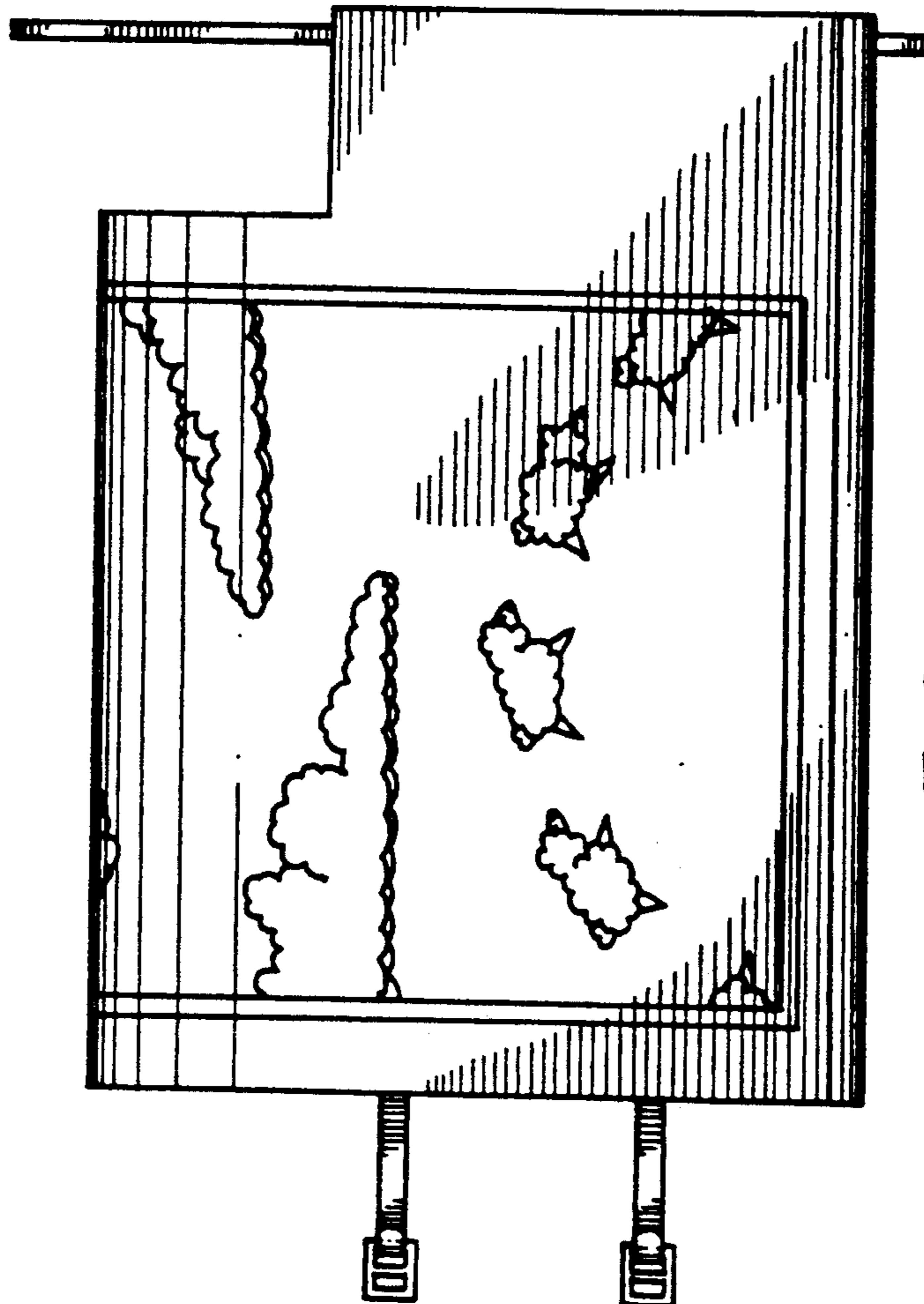


FIG. 4.

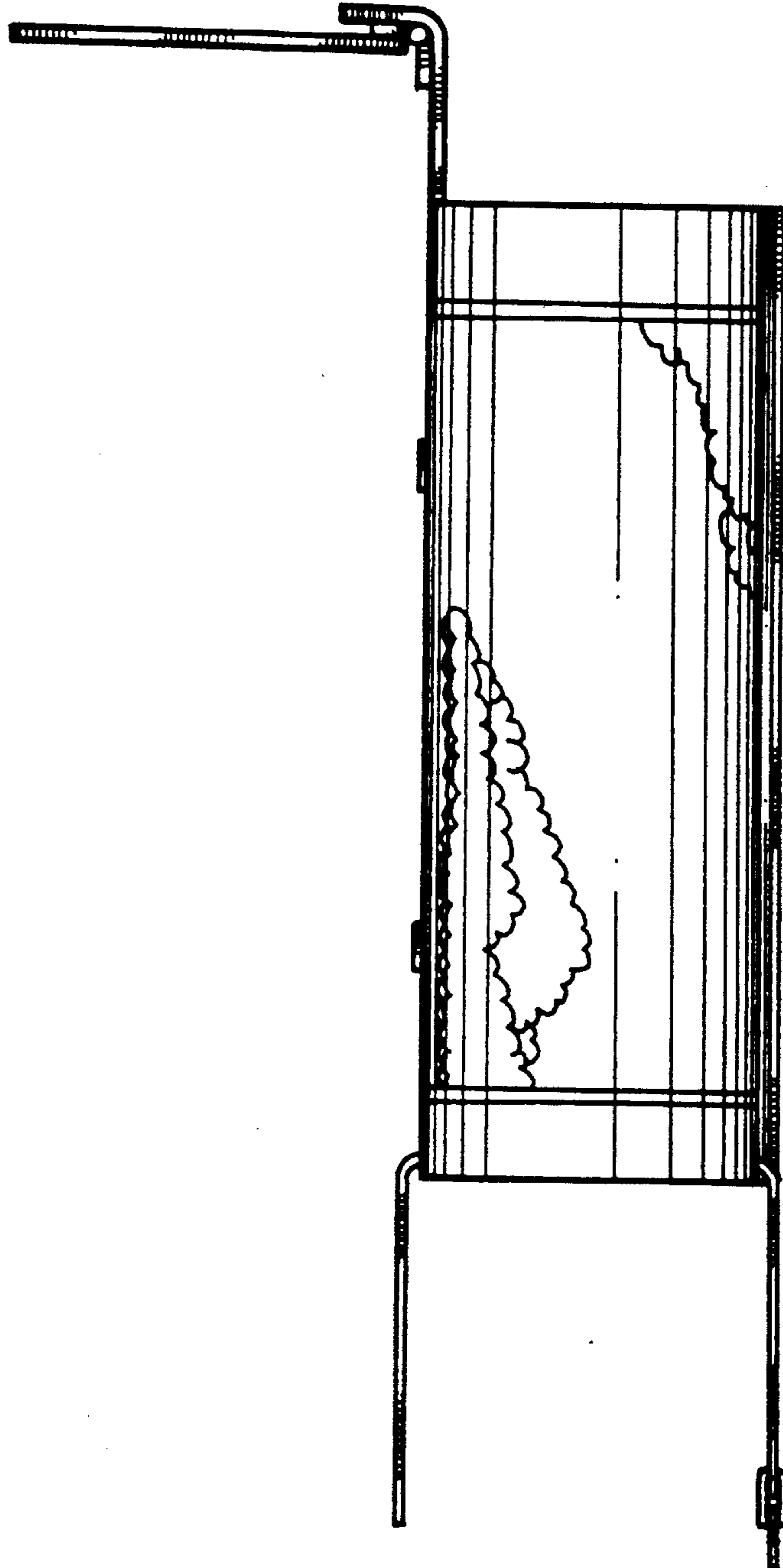


FIG. 6.