



US00D343315S

United States Patent [19]

[11] Patent Number: **Des. 343,315**

Schwartz

[45] Date of Patent: **** Jan. 18, 1994**

[54] **SIDE FRAME FOR AN ARM CHAIR**

[75] Inventor: **Larry A. Schwartz, Franklin, N.J.**

[73] Assignee: **Omni Products International, Inc.,
Richmond, Va.**

[**] Term: **14 Years**

[21] Appl. No.: **760,245**

[22] Filed: **Sep. 16, 1991**

[52] U.S. Cl. **D6/501; D6/379**

[58] Field of Search **D6/334, 370, 371, 372,
D6/373, 374, 375, 376, 379, 380, 500, 501, 502;
297/419, 445, 446, 457**

[56] **References Cited**

U.S. PATENT DOCUMENTS

- D. 90,911 10/1933 Goodman .
- D. 99,562 5/1936 Johnson .
- D. 100,182 6/1936 Terker .
- D. 144,719 5/1946 King et al. .
- D. 156,229 11/1949 Goldberg D6/373
- D. 164,487 9/1951 Goldberg .
- D. 167,608 9/1952 Becker .
- D. 171,494 2/1954 Goldberg .
- D. 179,926 3/1957 Werner et al. D6/373
- D. 230,925 3/1974 Bretos .
- D. 244,651 6/1977 Burke D6/373
- D. 244,895 7/1977 Diehl D6/373
- D. 249,760 10/1978 Gageby .
- D. 249,846 10/1978 Gageby D6/373
- D. 253,678 12/1979 Gibilterra .
- D. 260,950 9/1981 Aulenti .
- D. 277,053 1/1985 Golden et al. .
- D. 293,982 2/1988 Vogtherr .
- D. 320,517 10/1991 Snodgrass D6/379
- D. 320,895 10/1991 Frinier .

OTHER PUBLICATIONS

Omni Casual Furniture Catalog, 1990, pp. 4 and 5.

Primary Examiner—Alan P. Douglas
Assistant Examiner—Gary D. Watson
Attorney, Agent, or Firm—Lerner, David, Littenberg,
Krumholz & Mentlik

[57] CLAIM

The ornamental design for a side frame for an arm chair, as shown and described.

DESCRIPTION

FIG. 1 is a front perspective view, looking slightly from above of a side frame for an arm chair in accordance with one embodiment showing my new design;
 FIG. 2 is a front elevational view;
 FIG. 3 is a top plan view;
 FIG. 4 is a right side elevational view, the left side being a mirror image thereof;
 FIG. 5 is a rear elevational view;
 FIG. 6 is a bottom plan view;
 FIG. 7 is a front perspective view, looking slightly from above of a side frame for an arm chair in accordance with another embodiment showing my new design;
 FIG. 8 is a front elevational view;
 FIG. 9 is a top plan view;
 FIG. 10 is a right side elevational view, the left side being a mirror image thereof;
 FIG. 11 is a rear elevational view;
 FIG. 12 is a bottom plan view;
 FIG. 13 is a front perspective view, looking slightly from above of a side frame for an arm chair in accordance with another embodiment showing my new design;
 FIG. 14 is a front elevational view;
 FIG. 15 is a top plan view;
 FIG. 16 is a right side elevational view, the left side being a mirror image thereof;
 FIG. 17 is a rear elevational view; and,
 FIG. 18 is a bottom plan view.
 The broken lines illustrated in the drawings are not part of the claimed design.

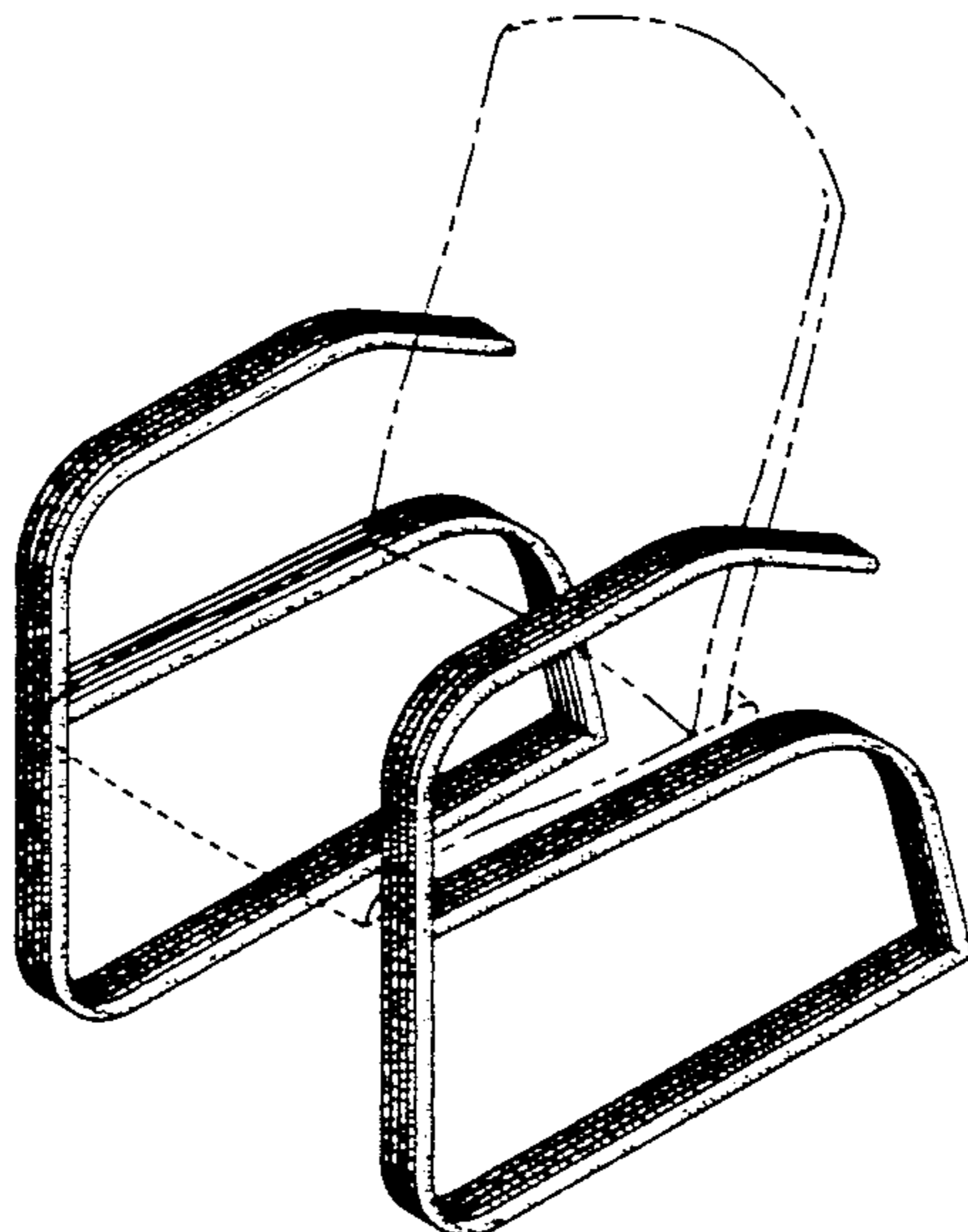


FIG. 1

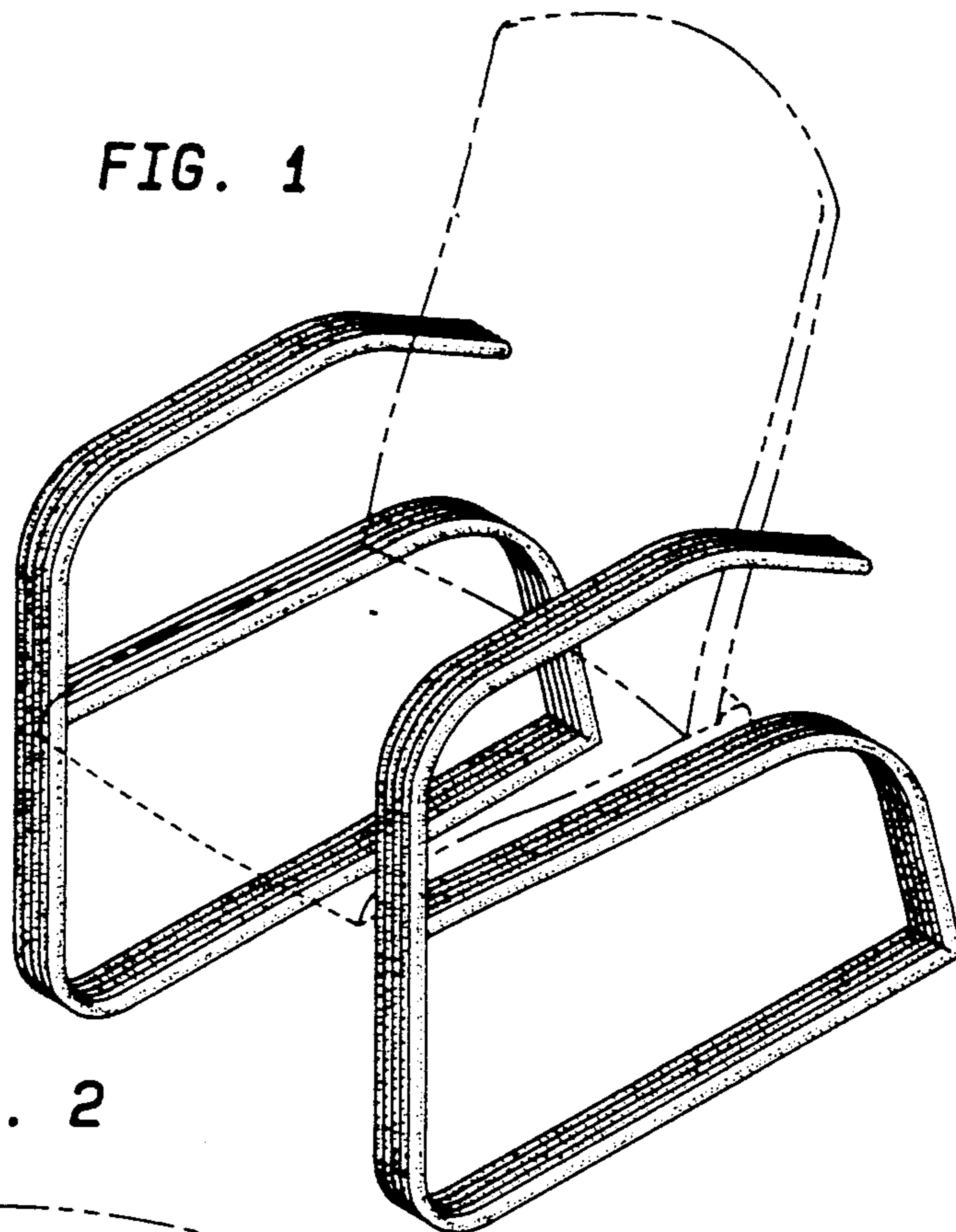


FIG. 2

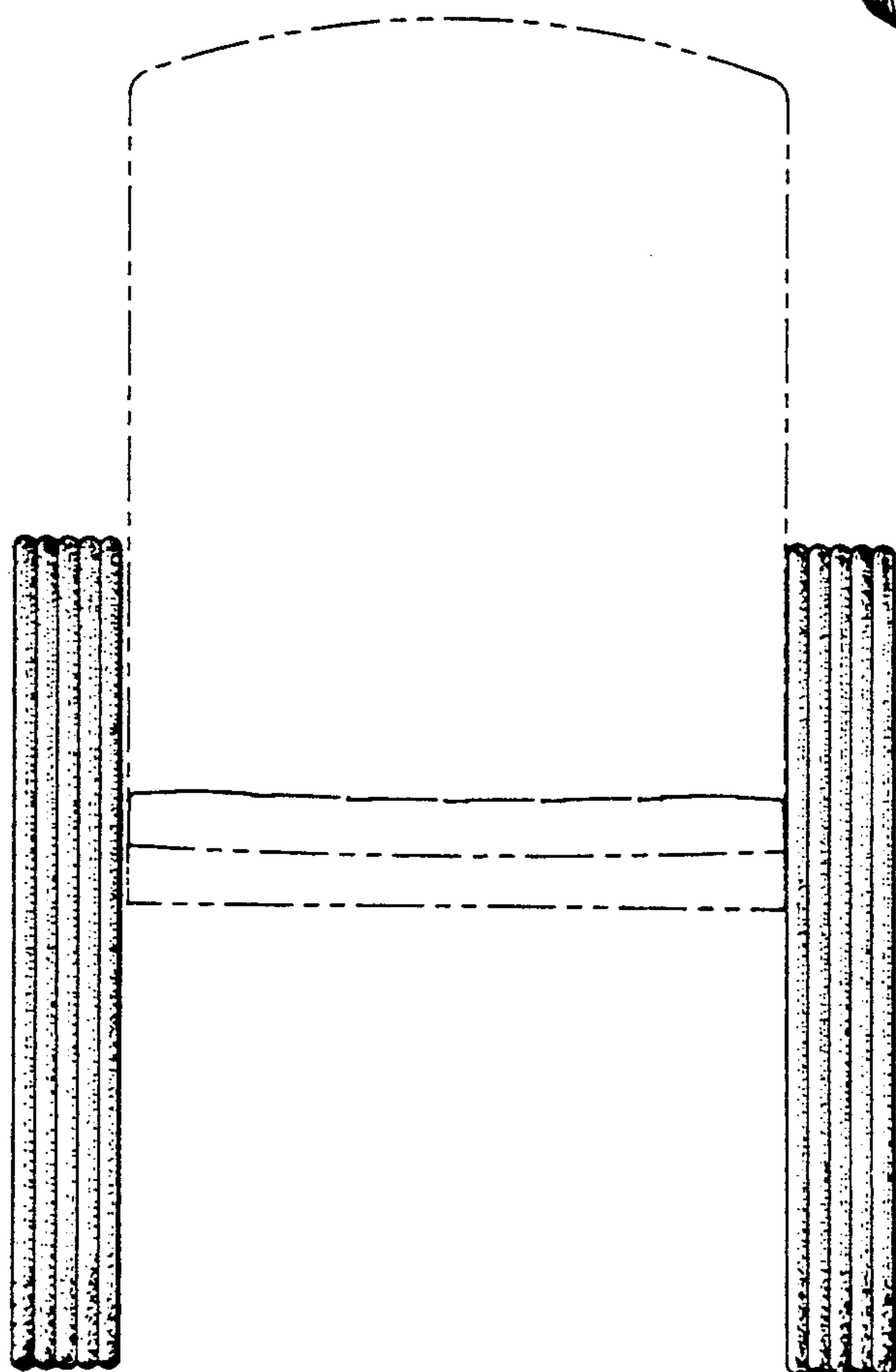


FIG. 3

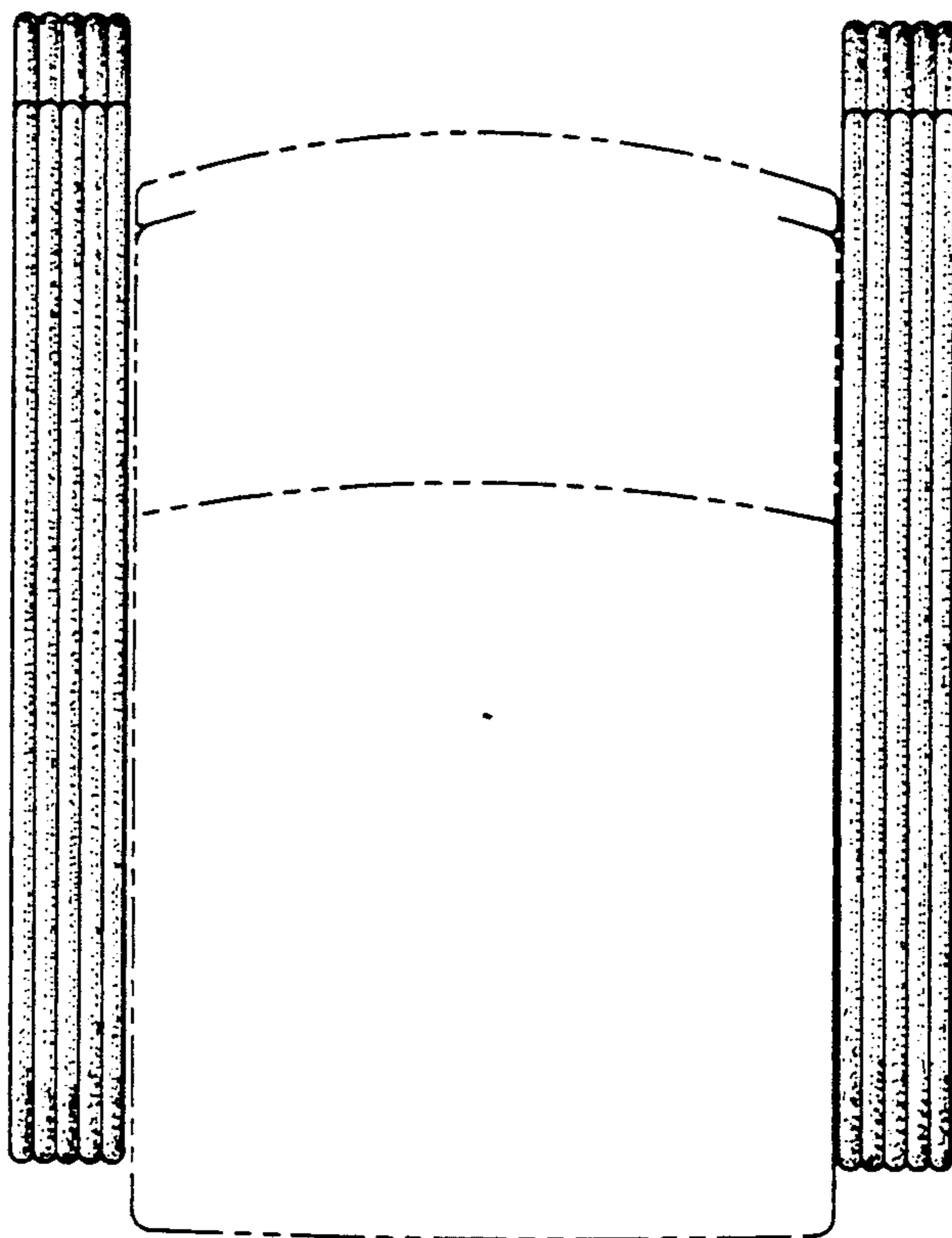


FIG. 4

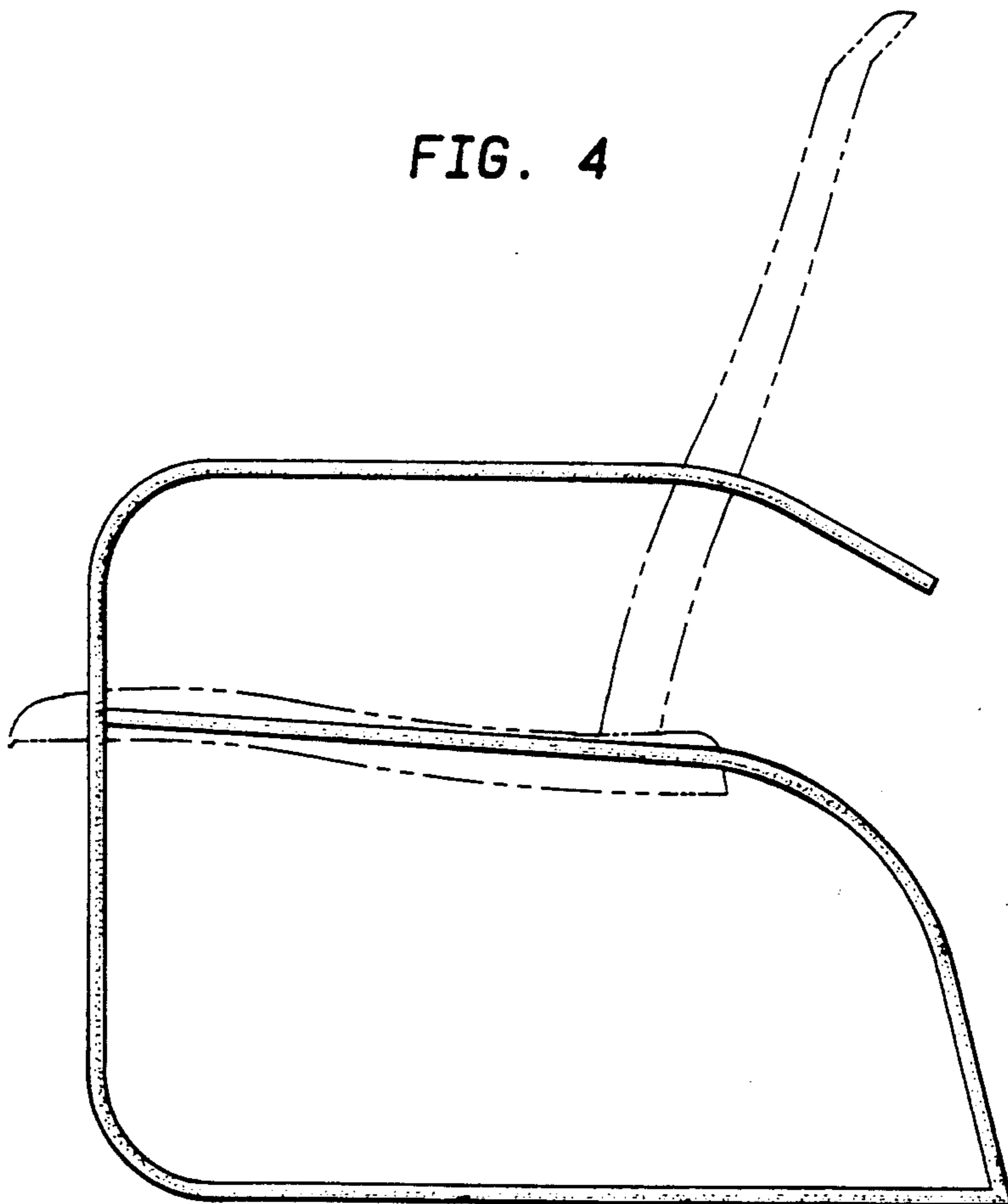


FIG. 5

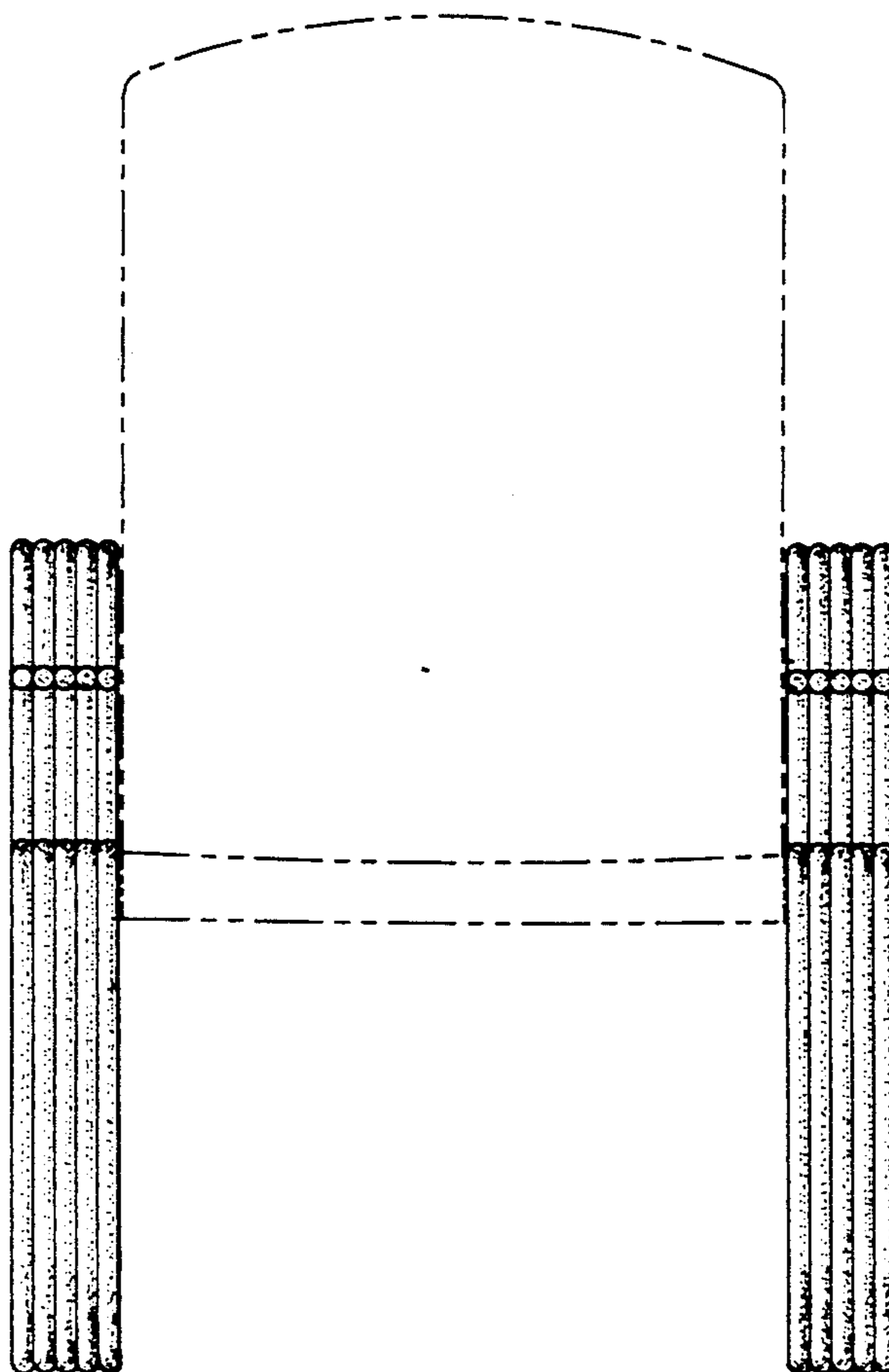


FIG. 6

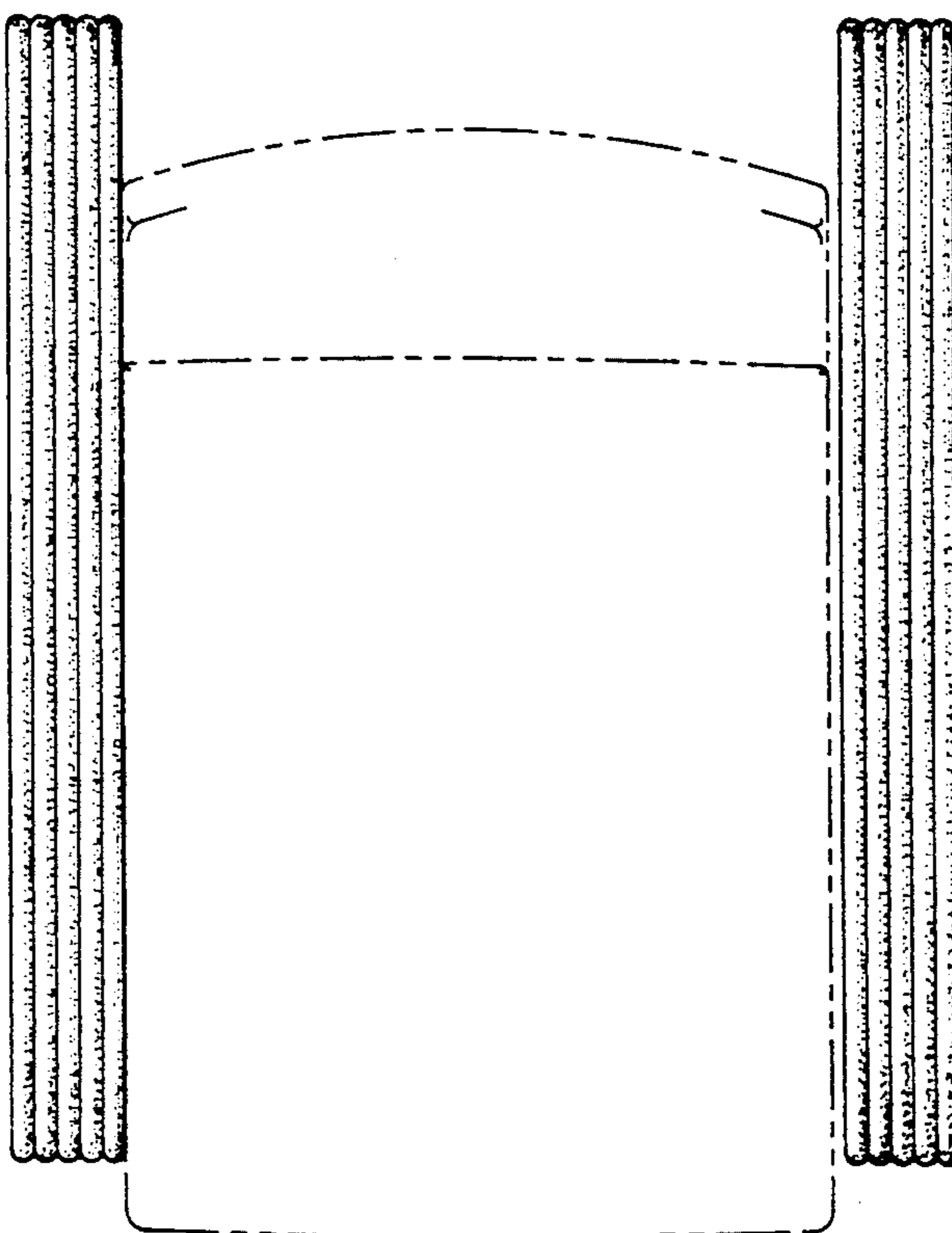


FIG. 7

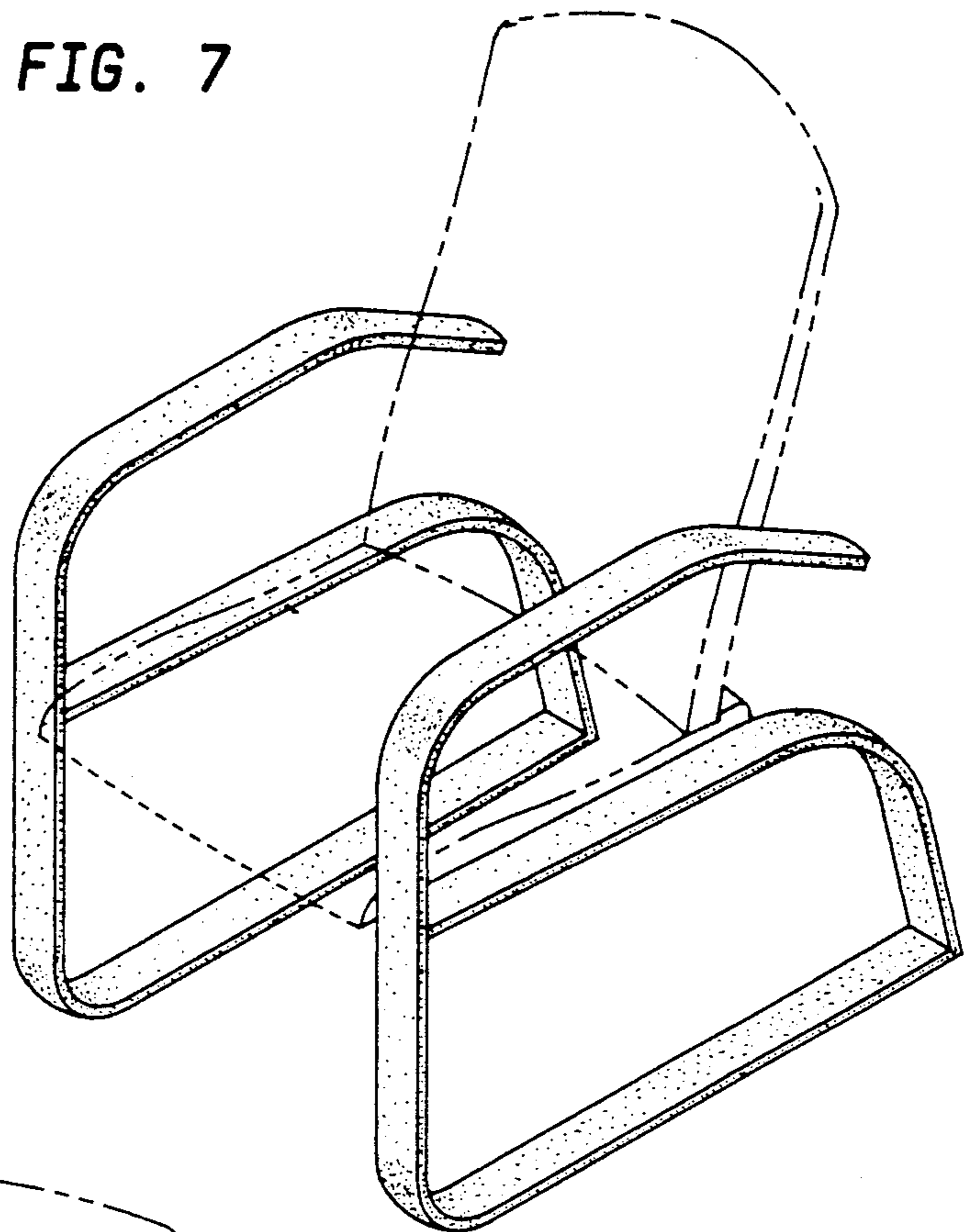


FIG. 8

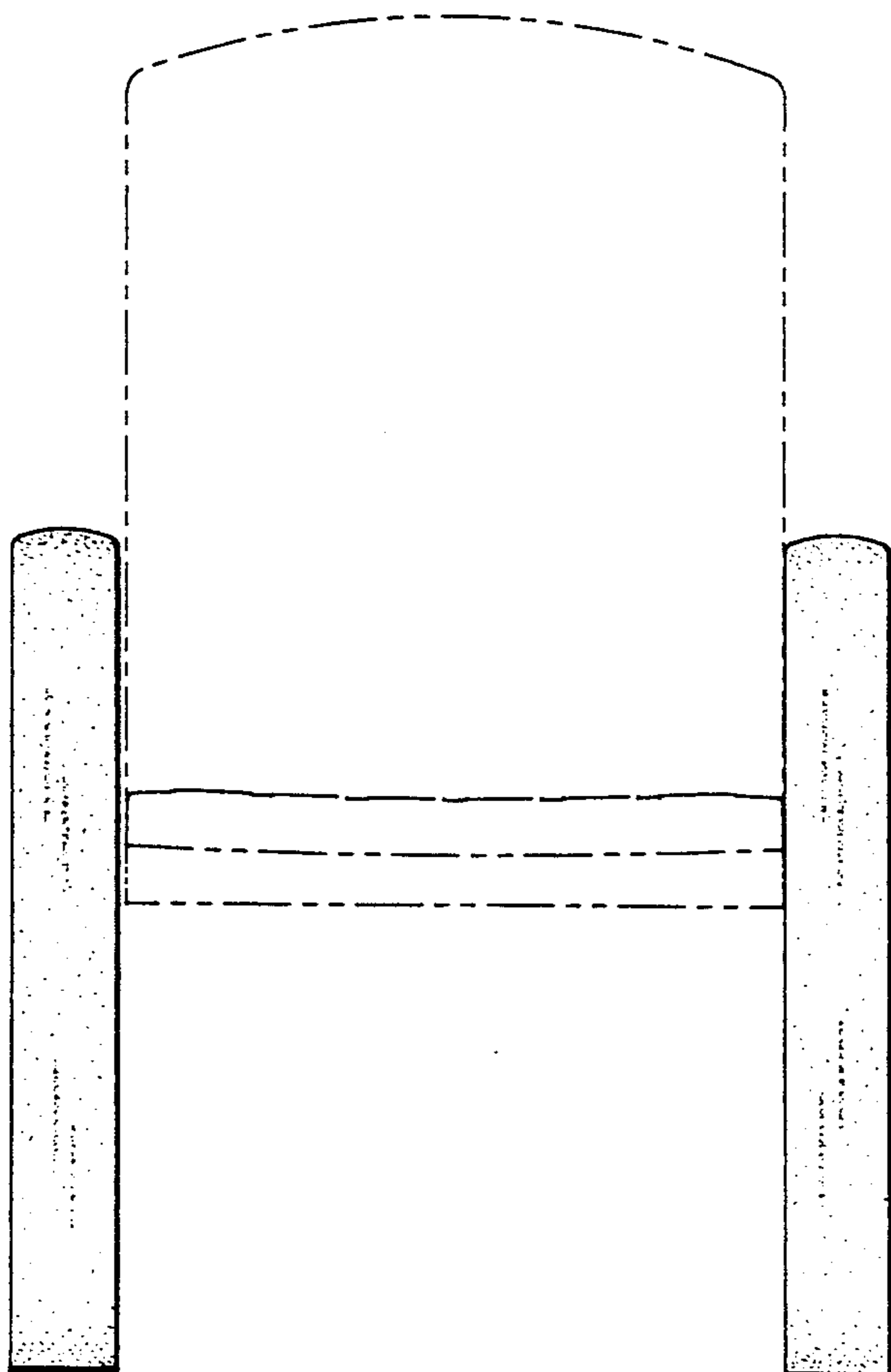


FIG. 9

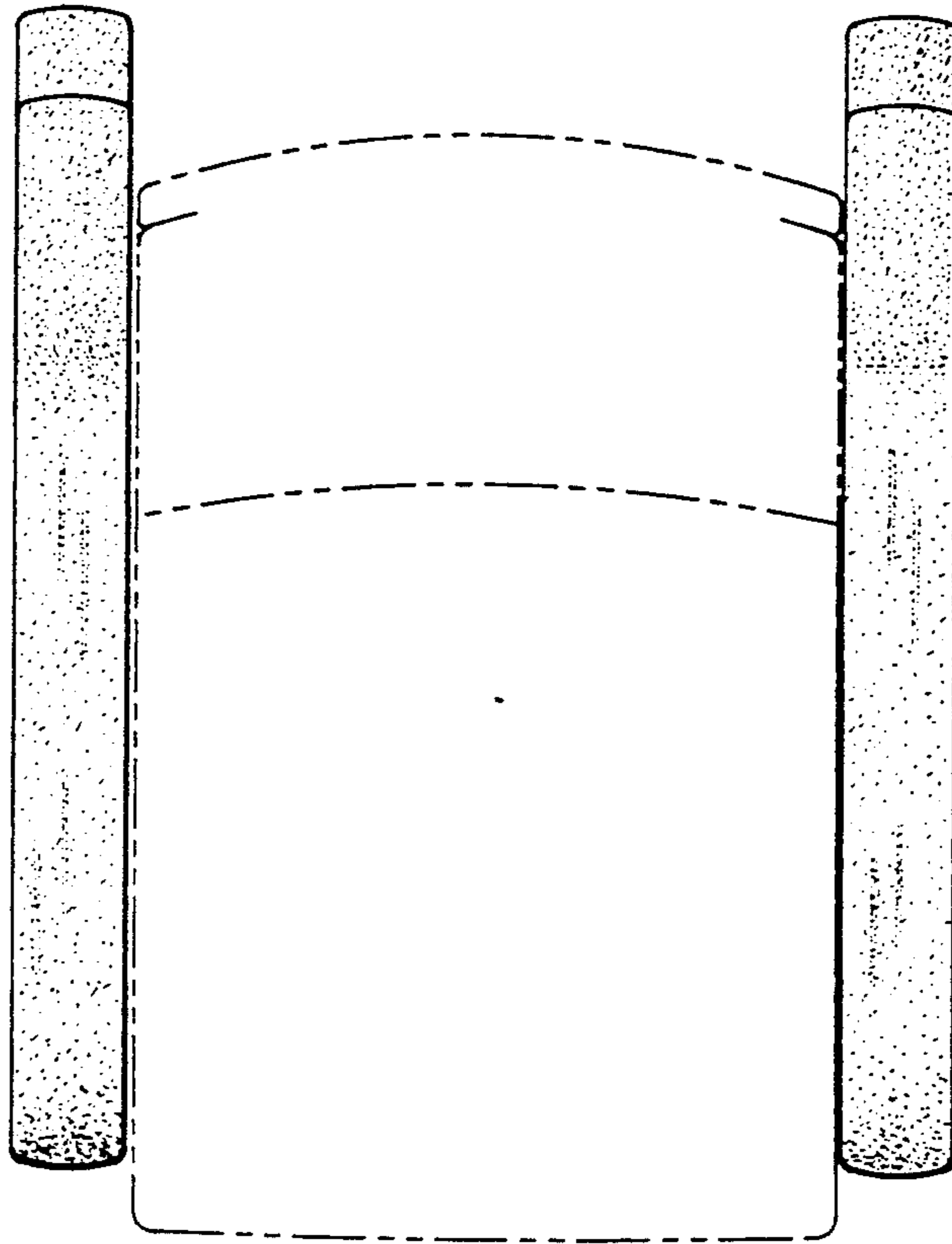


FIG. 10

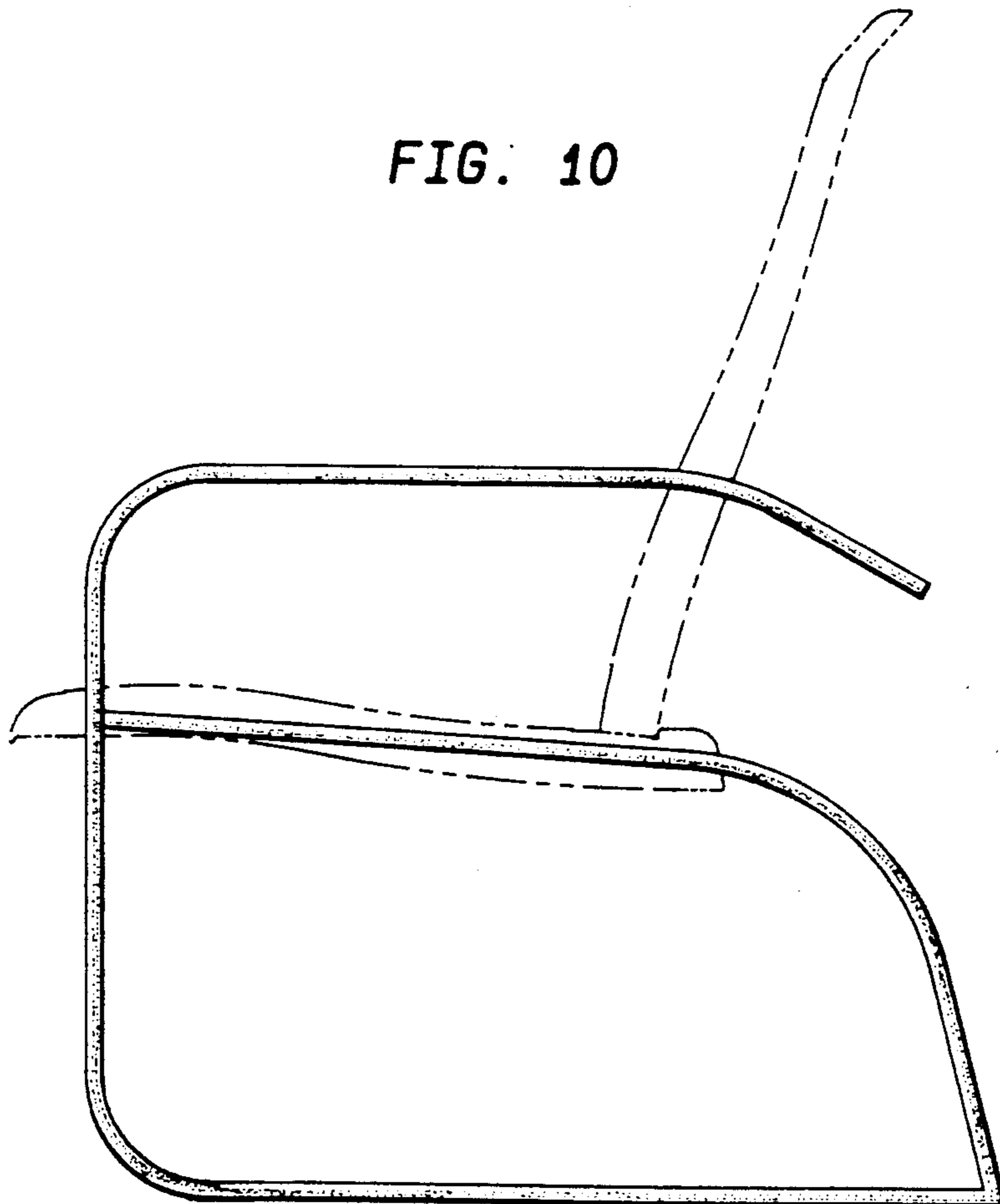


FIG. 11

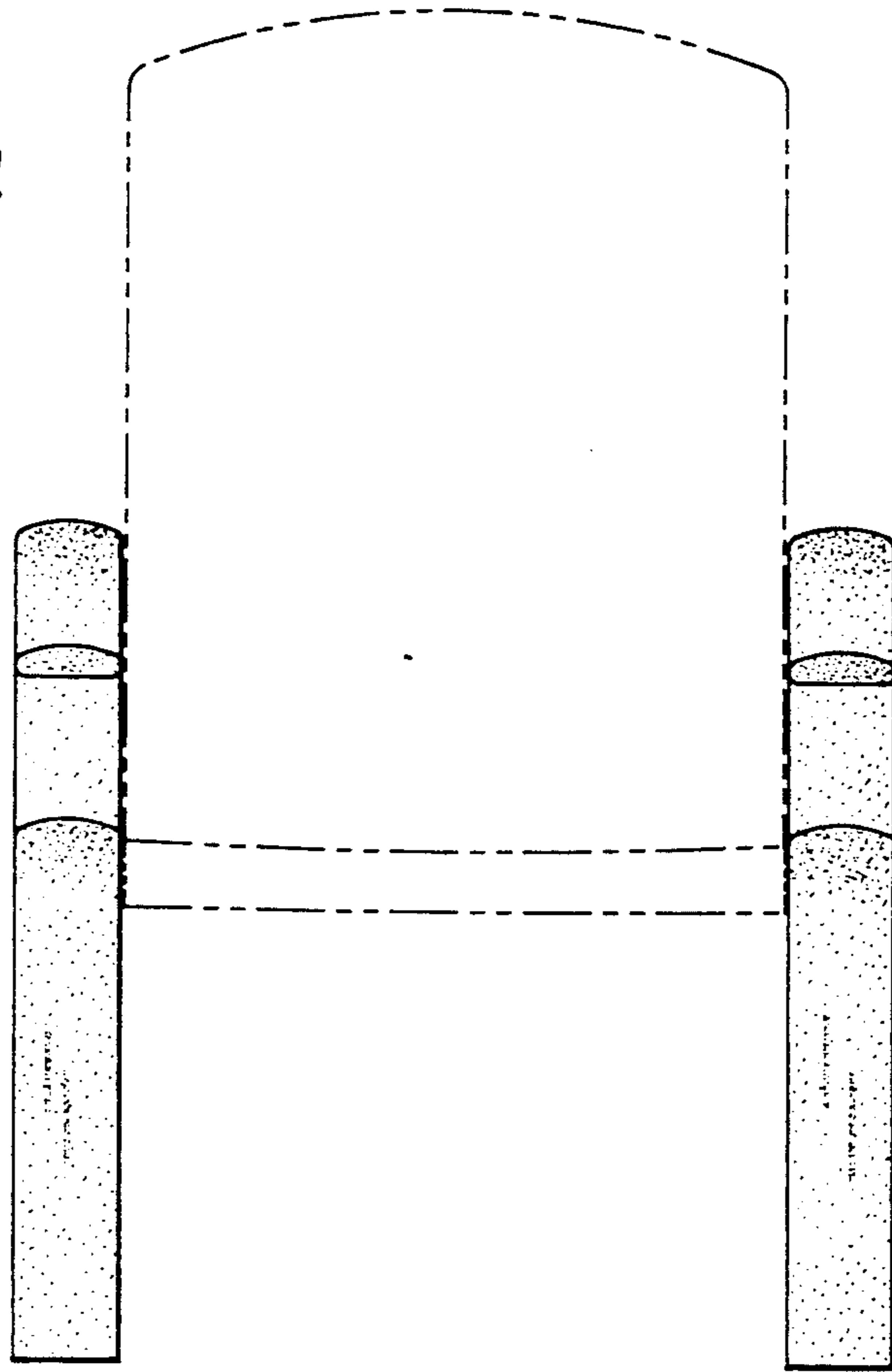


FIG. 12

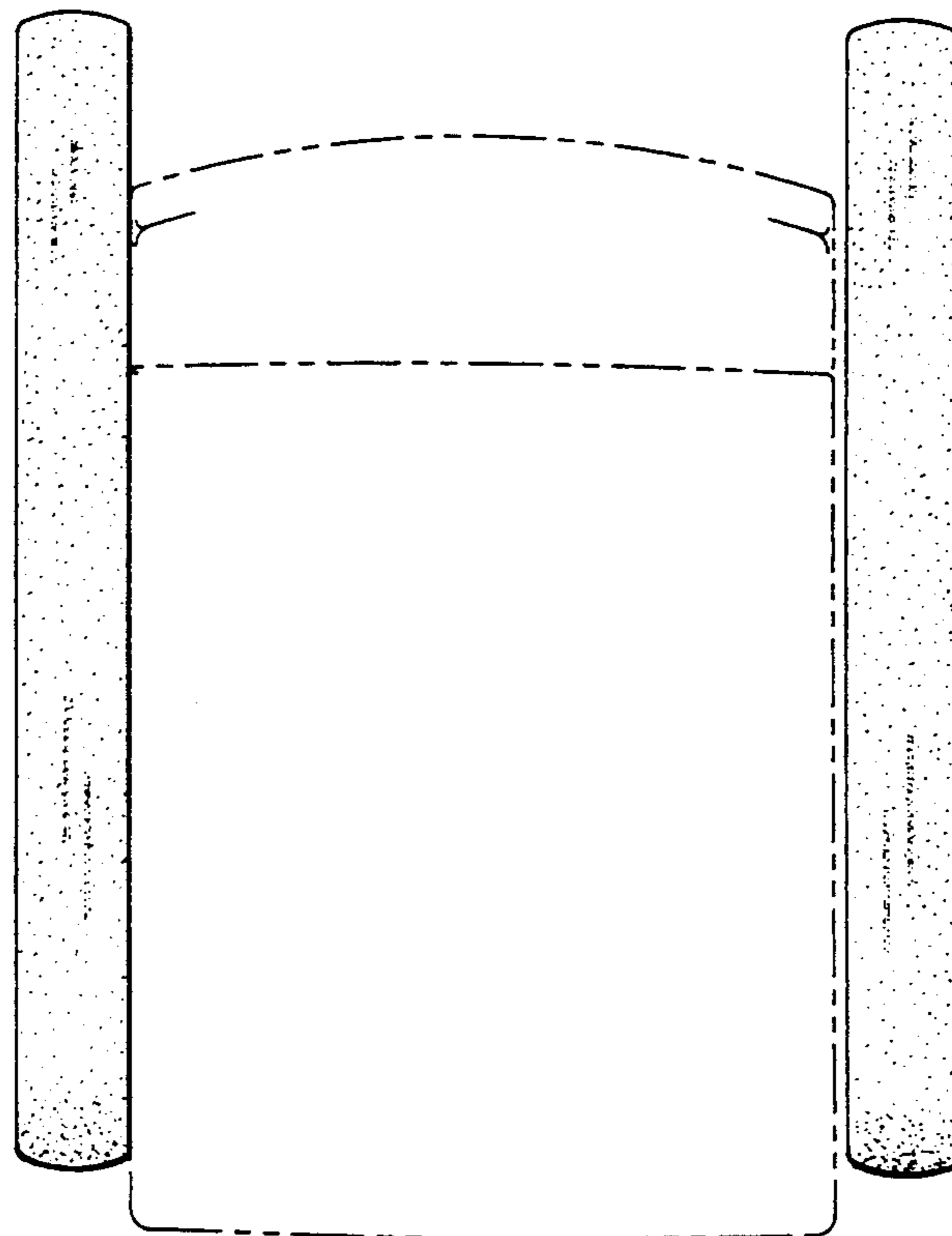


FIG. 13

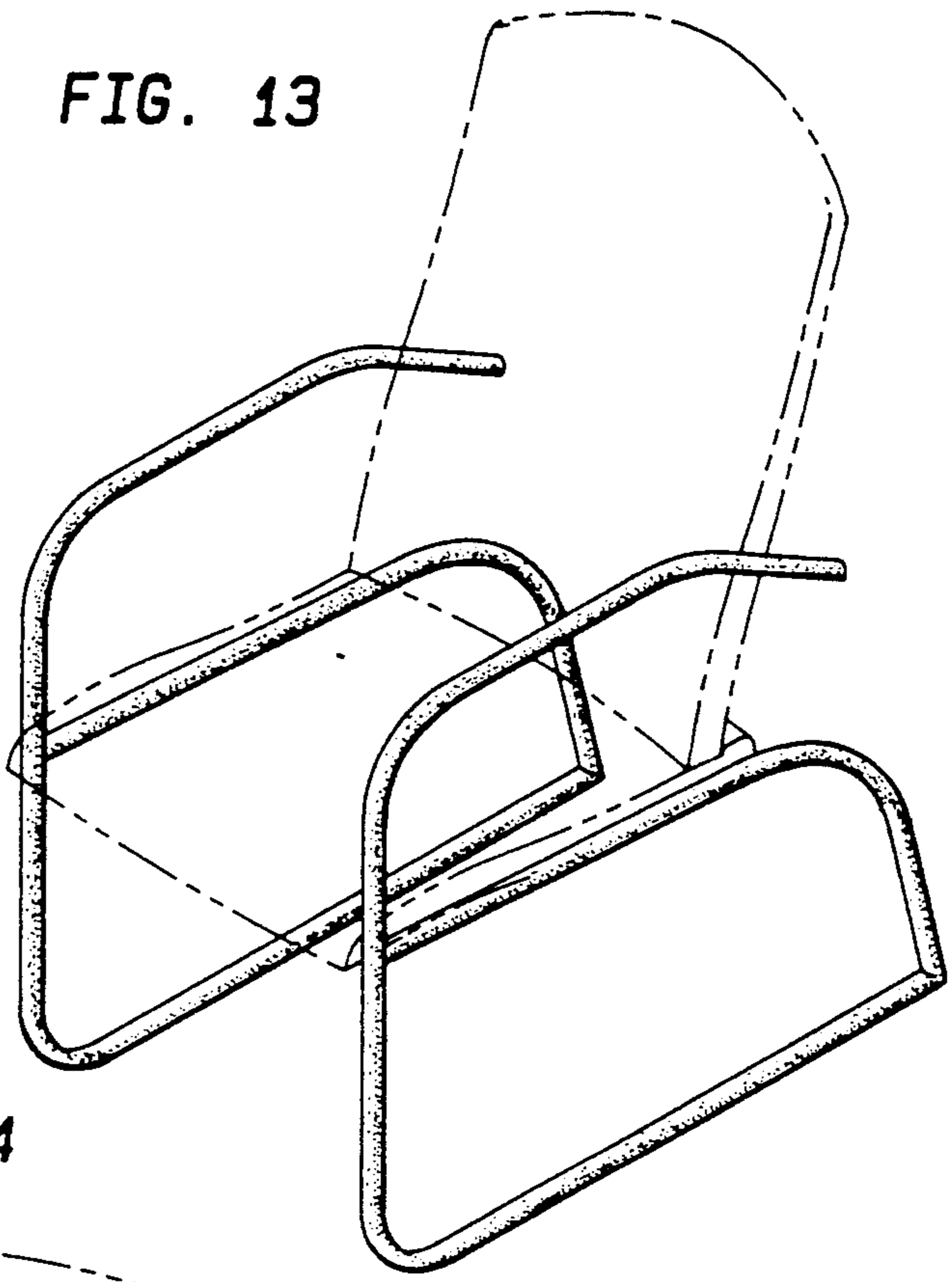


FIG. 14

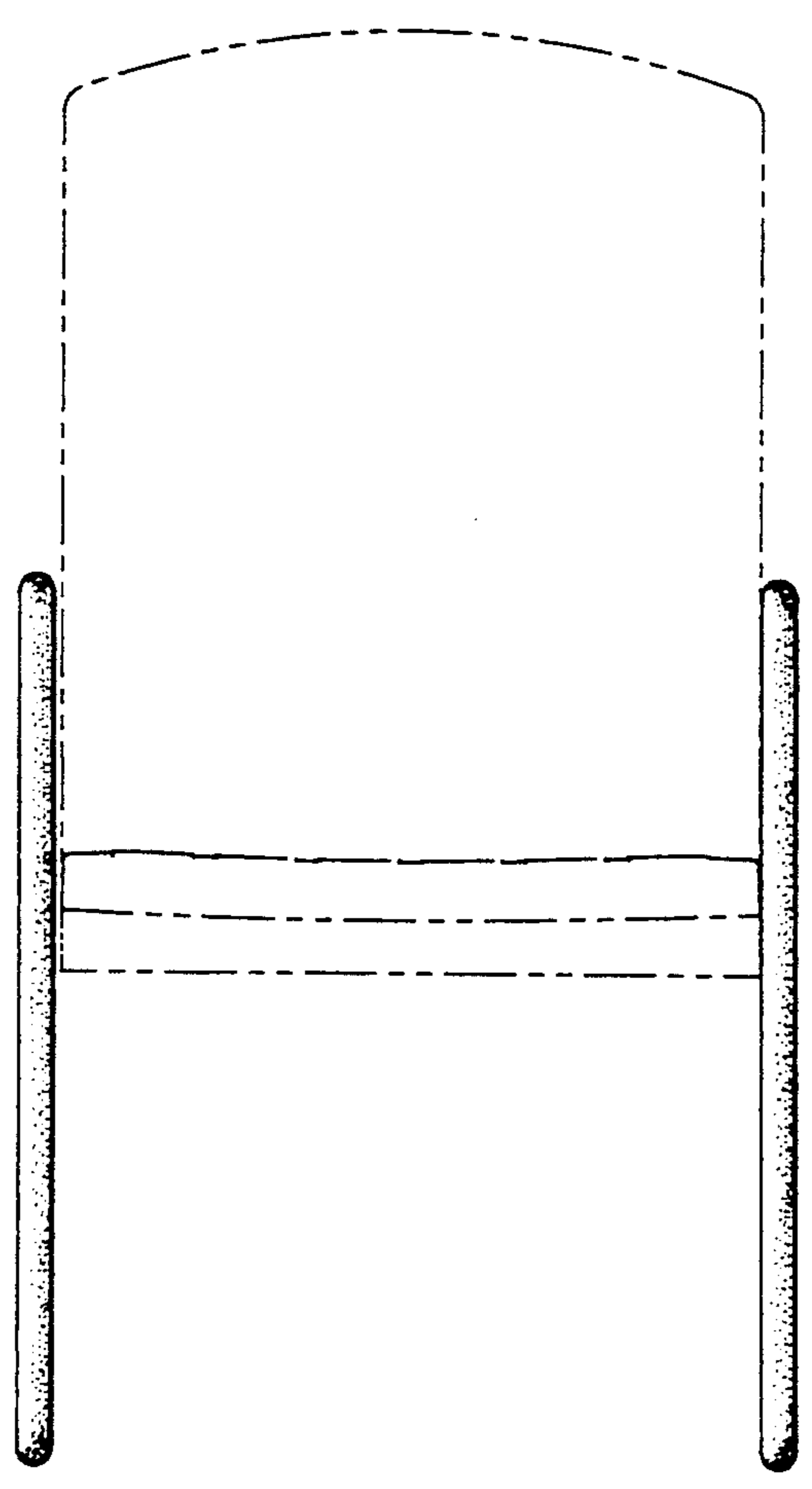


FIG. 15

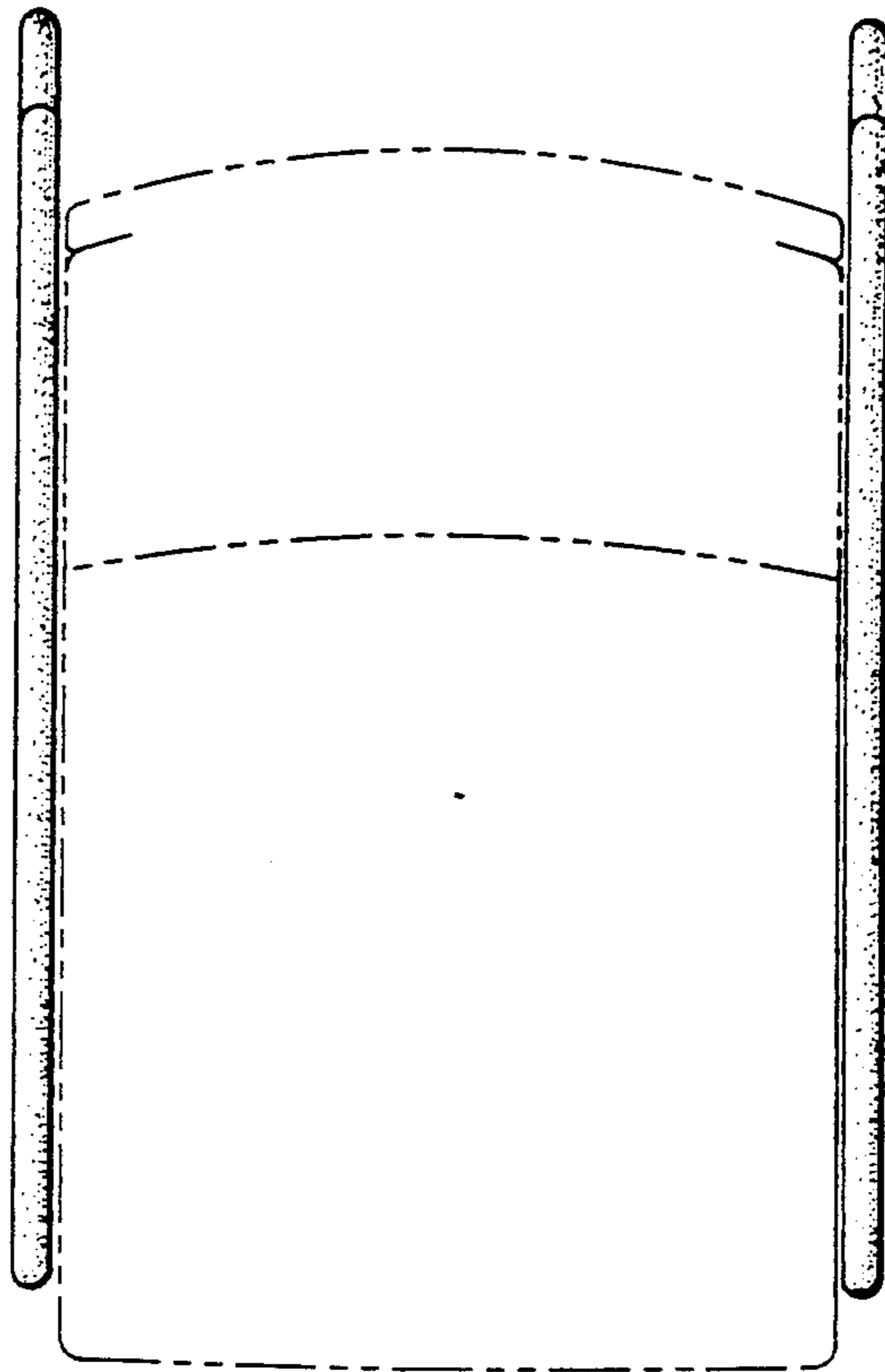


FIG. 16

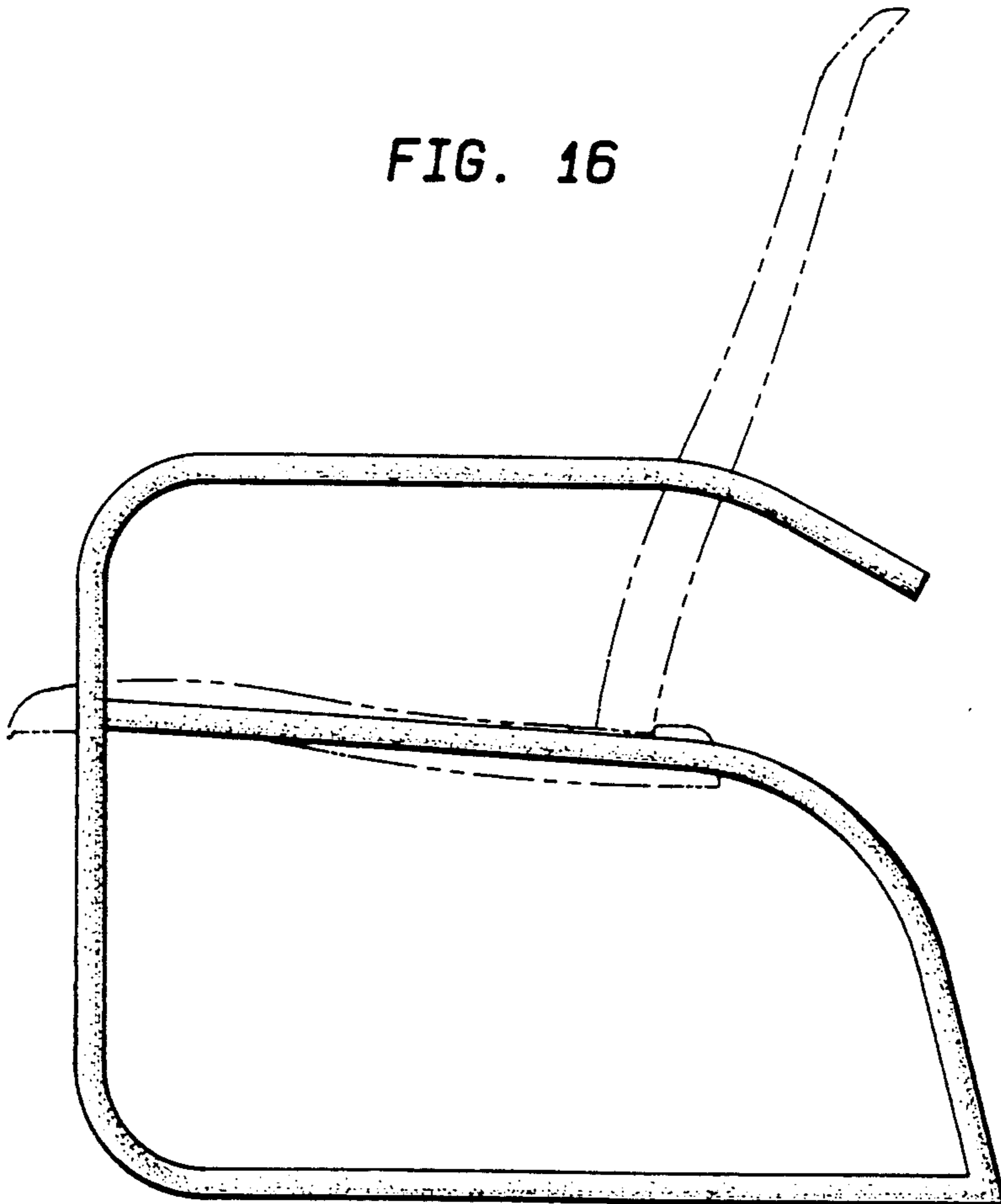


FIG. 17

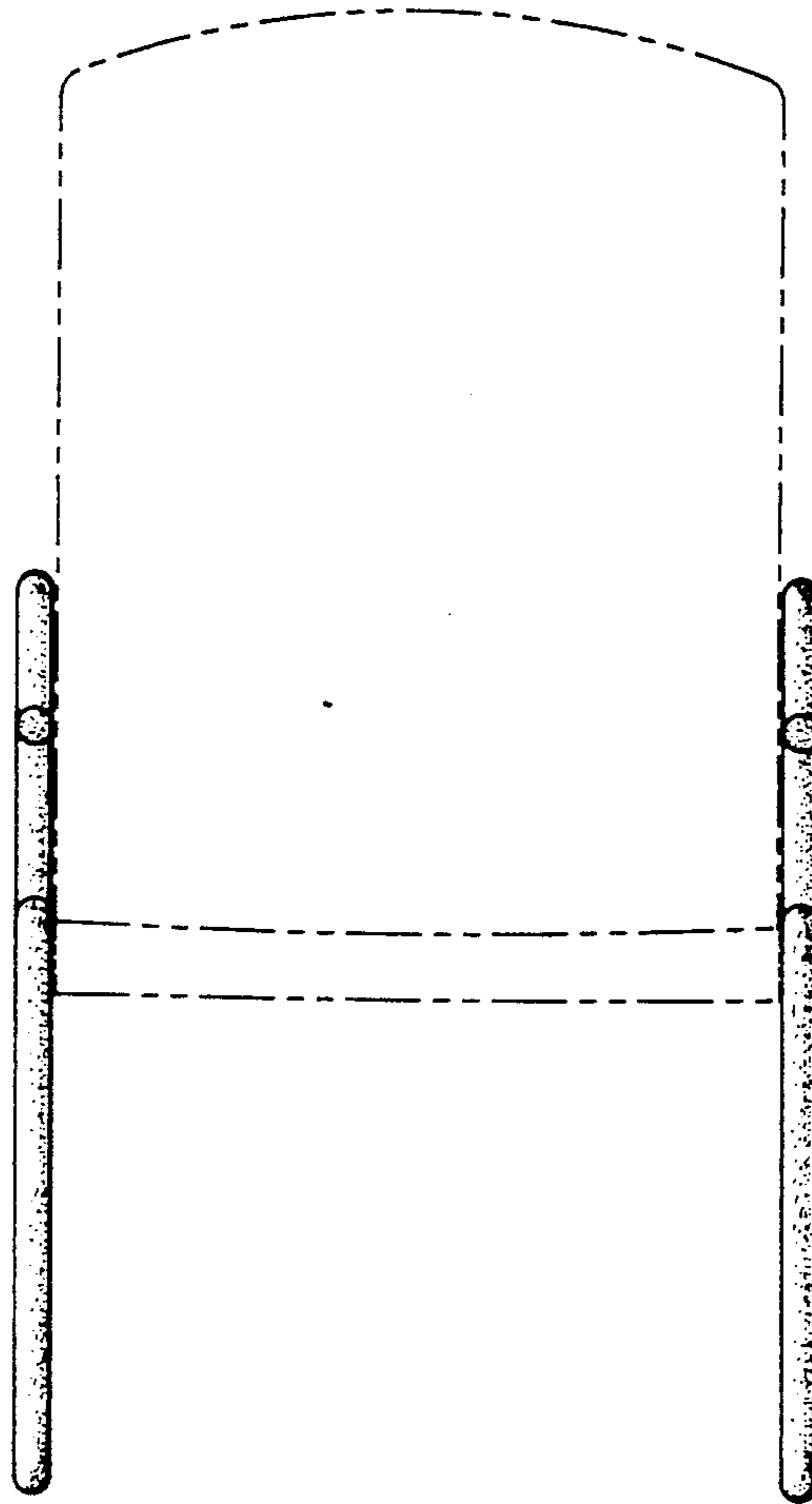


FIG. 18

