



US00D343313S

United States Patent [19]

[11] Patent Number: **Des. 343,313**

Schwartz

[45] Date of Patent: **** Jan. 18, 1994**

[54] SIDE FRAME FOR AN ARM CHAIR

[75] Inventor: **Larry A. Schwartz, Franklin, N.J.**

[73] Assignee: **Omni Products International, Inc.,
Richmond, Va.**

[**] Term: **14 Years**

[21] Appl. No.: **760,234**

[22] Filed: **Sep. 16, 1991**

[52] U.S. Cl. **D6/501; D6/379**

[58] Field of Search **D6/334, 370, 371, 372,
D6/373, 374, 375, 376, 379, 380, 500, 501, 502;
297/419, 445, 446, 457**

[56] References Cited

U.S. PATENT DOCUMENTS

D. 85,121	6/1931	Sobel .	
D. 95,745	5/1935	Hoffmann	D6/379
D. 102,044	11/1936	Wexelblatt	D6/370
D. 142,458	9/1945	Weill .	
D. 189,642	1/1961	Hess	D6/379
D. 249,760	10/1978	Gageby .	
D. 252,546	8/1979	Petersen .	
D. 260,950	9/1981	Aulenti .	
D. 262,168	12/1981	Lustig .	
D. 289,709	5/1987	Goldman .	
D. 294,089	2/1988	Klein	D6/379
D. 294,436	3/1988	Colby .	
D. 296,848	7/1988	Colby	D6/379
D. 318,764	8/1991	Hess .	
D. 320,517	10/1991	Snodgrass	D6/379 X
D. 323,249	1/1992	Schwartz	D6/370
2,135,833	11/1938	Oermann .	

OTHER PUBLICATIONS

Omni Casual Furniture Catalog, vol. VII, pp. 1-3, 11-12 and 13-18.

Primary Examiner—Alan P. Douglas
Assistant Examiner—Gary D. Watson
Attorney, Agent, or Firm—Lerner, David, Littenberg,
Krumholz & Mentlik

[57] CLAIM

The ornamental design for a side frame for an arm chair, as shown and described.

DESCRIPTION

FIG. 1 is a front perspective view, looking slightly from above, of a side frame for an arm chair in accordance with one embodiment showing my new design;
 FIG. 2 is a front elevational view;
 FIG. 3 is a top plan view;
 FIG. 4 is a right side elevational view, the left side being a mirror image thereof;
 FIG. 5 is a rear elevational view;
 FIG. 6 is a bottom plan view;
 FIG. 7 is a front perspective view, looking slightly from above, of a side frame for an arm chair in accordance with another embodiment showing my new design;
 FIG. 8 is a front elevational view;
 FIG. 9 is a top plan view;
 FIG. 10 is a right side elevational view, the left side being a mirror image thereof;
 FIG. 11 is a rear elevational view;
 FIG. 12 is a bottom plan view;
 FIG. 13 is a front perspective view, looking slightly from above, of a side frame for an arm chair in accordance with another embodiment showing my new design;
 FIG. 14 is a front elevational view;
 FIG. 15 is a top plan view;
 FIG. 16 is a right side elevational view, the left side being a mirror image thereof;
 FIG. 17 is a rear elevational view;
 FIG. 18 is a bottom plan view;
 FIG. 19 is a front perspective view, looking slightly from above, of a side frame for an arm chair in accordance with another embodiment showing my new design;
 FIG. 20 is a front elevational view;
 FIG. 21 is a top plan view;
 FIG. 22 is a right side elevational view, the left side being a mirror image thereof;
 FIG. 23 is a rear elevational view; and,
 FIG. 24 is a bottom plan view.

The broken lines illustrated in the drawings are not part of the claimed design.

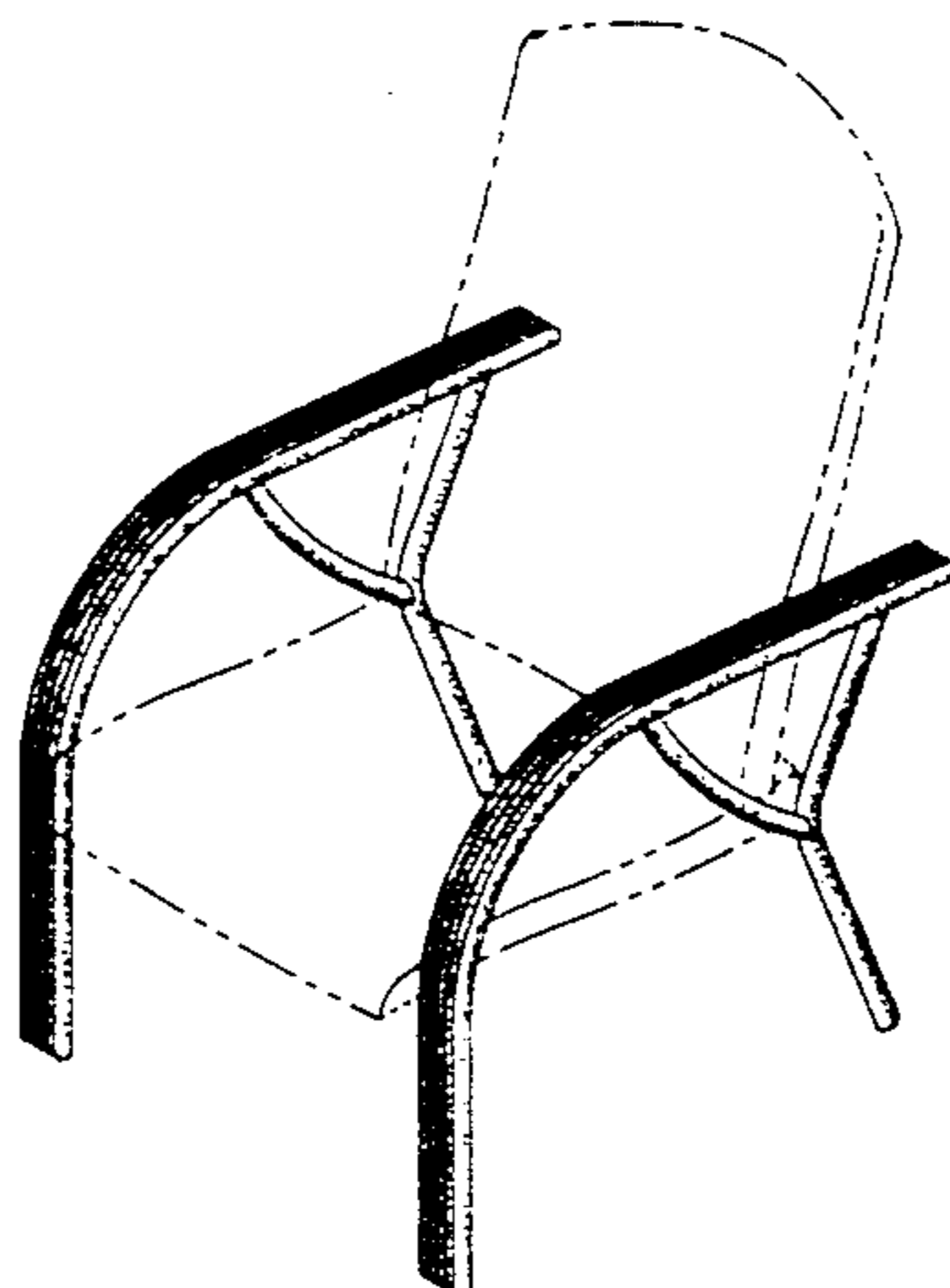


FIG. 1

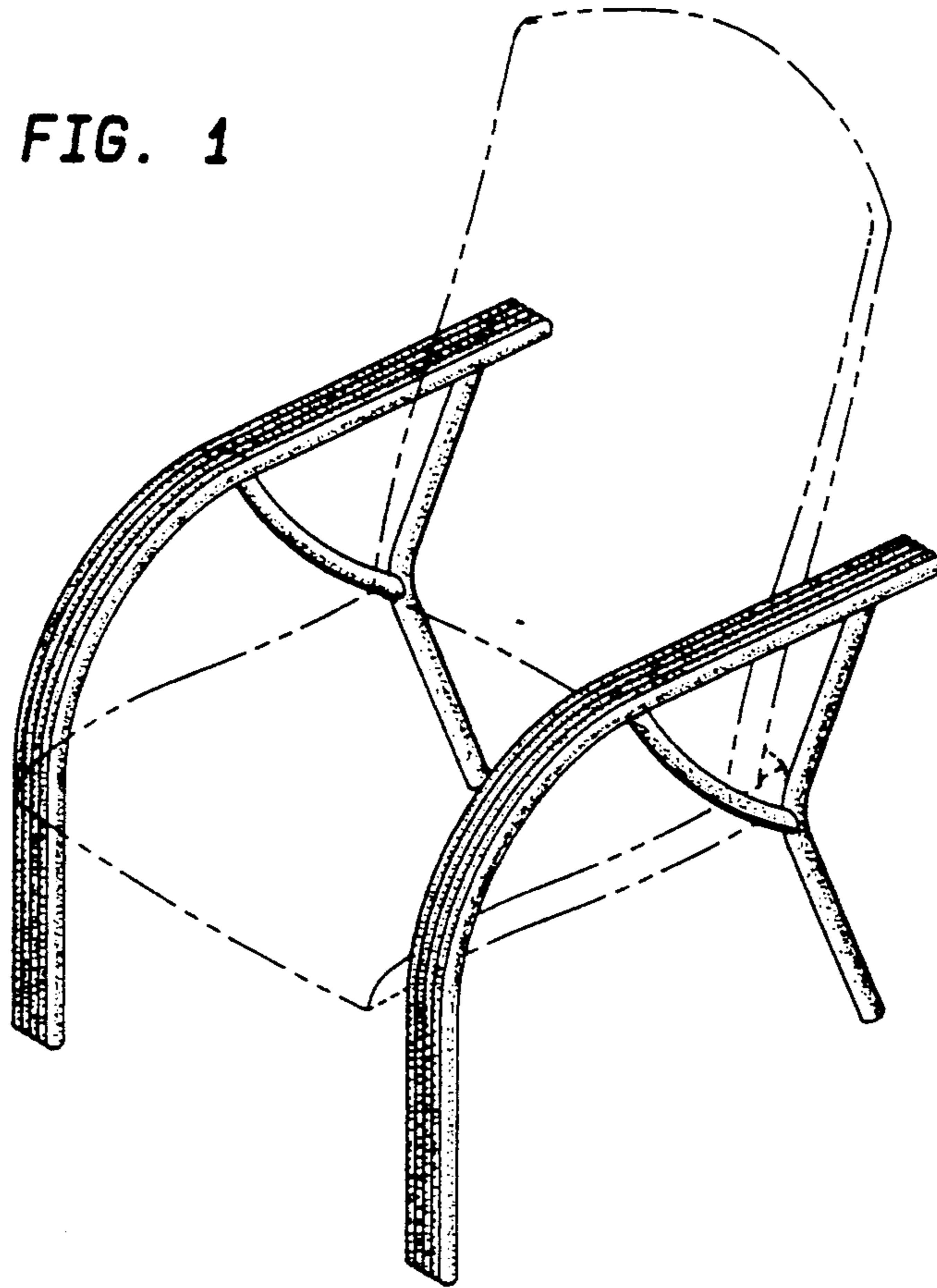


FIG. 2

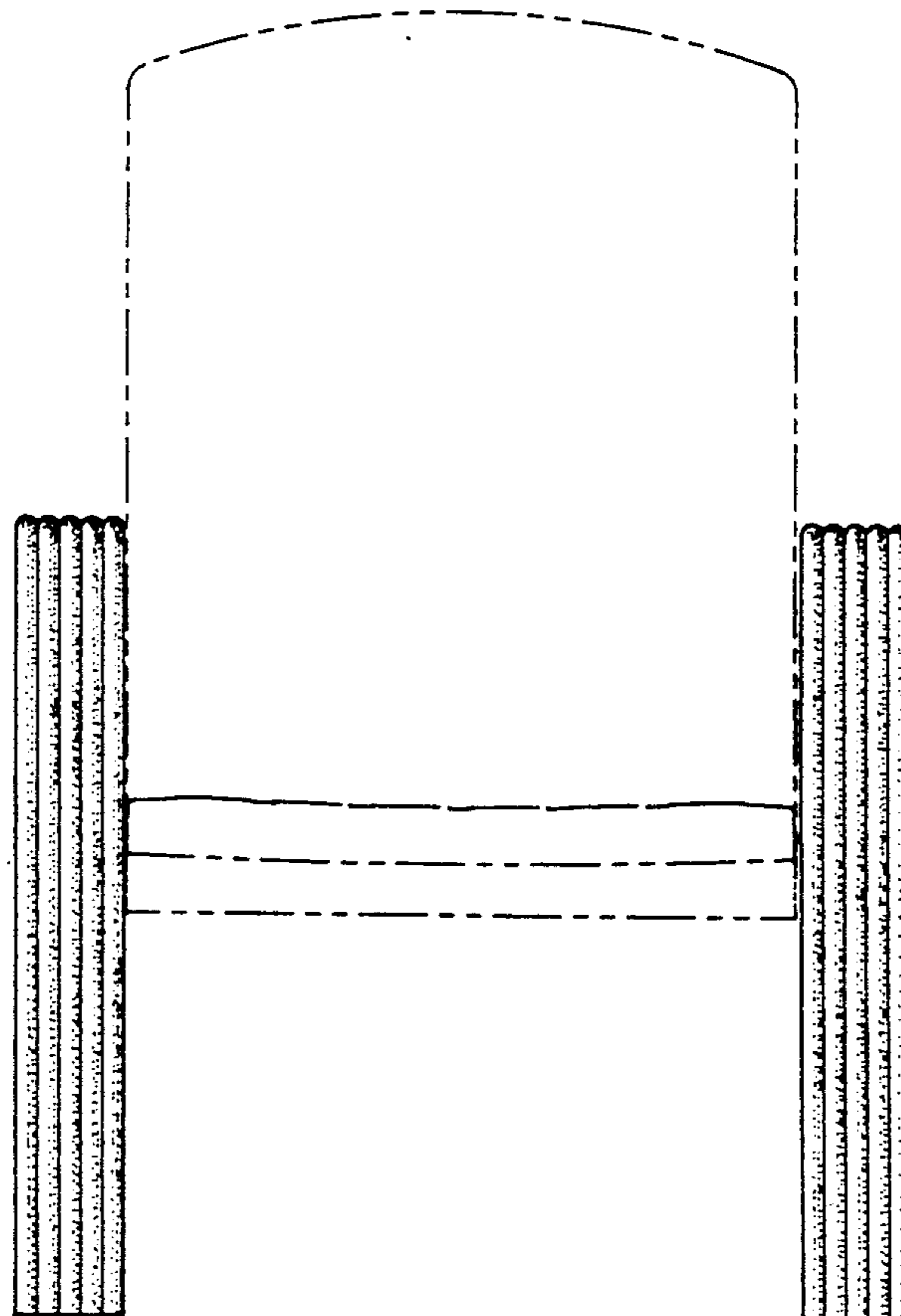


FIG. 3

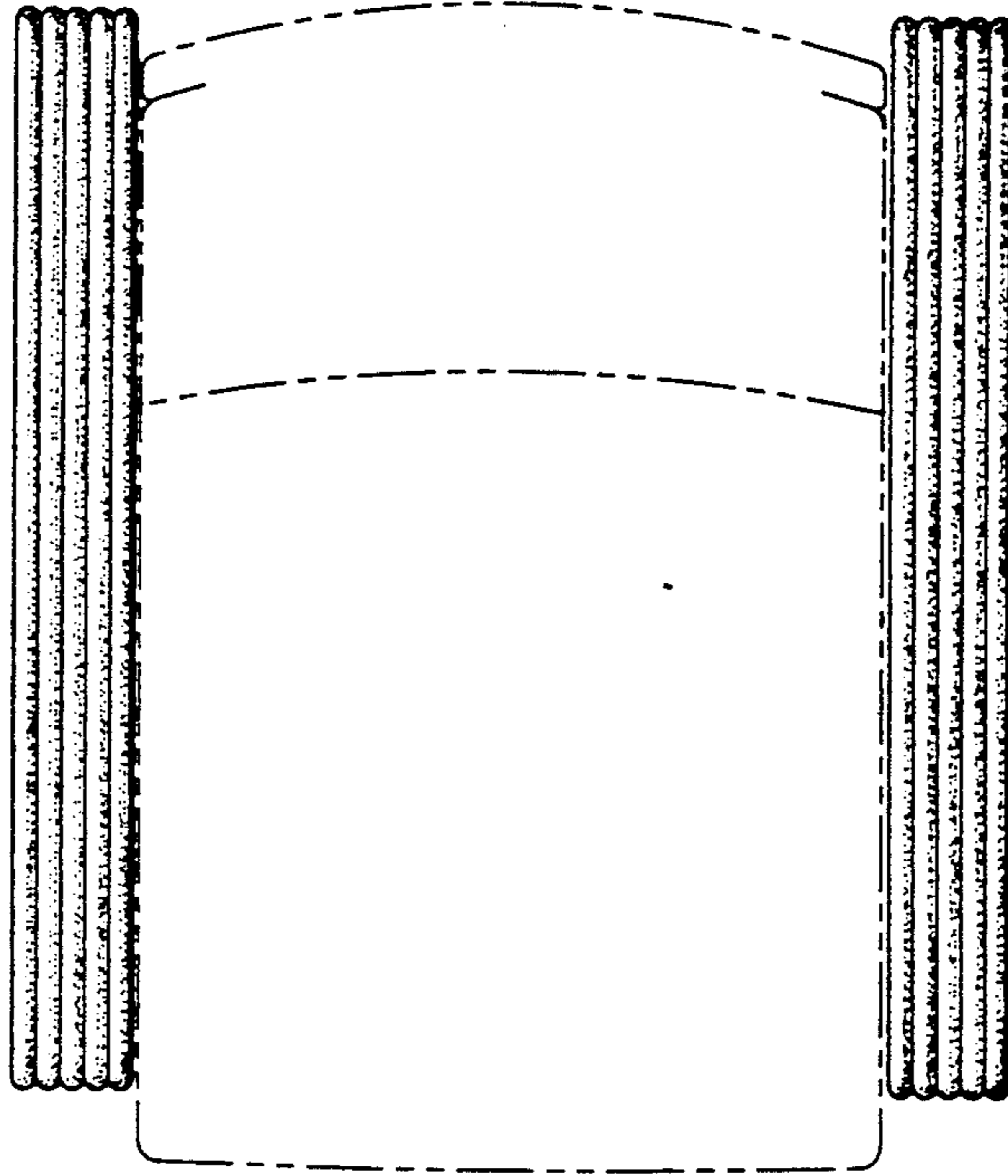


FIG. 4

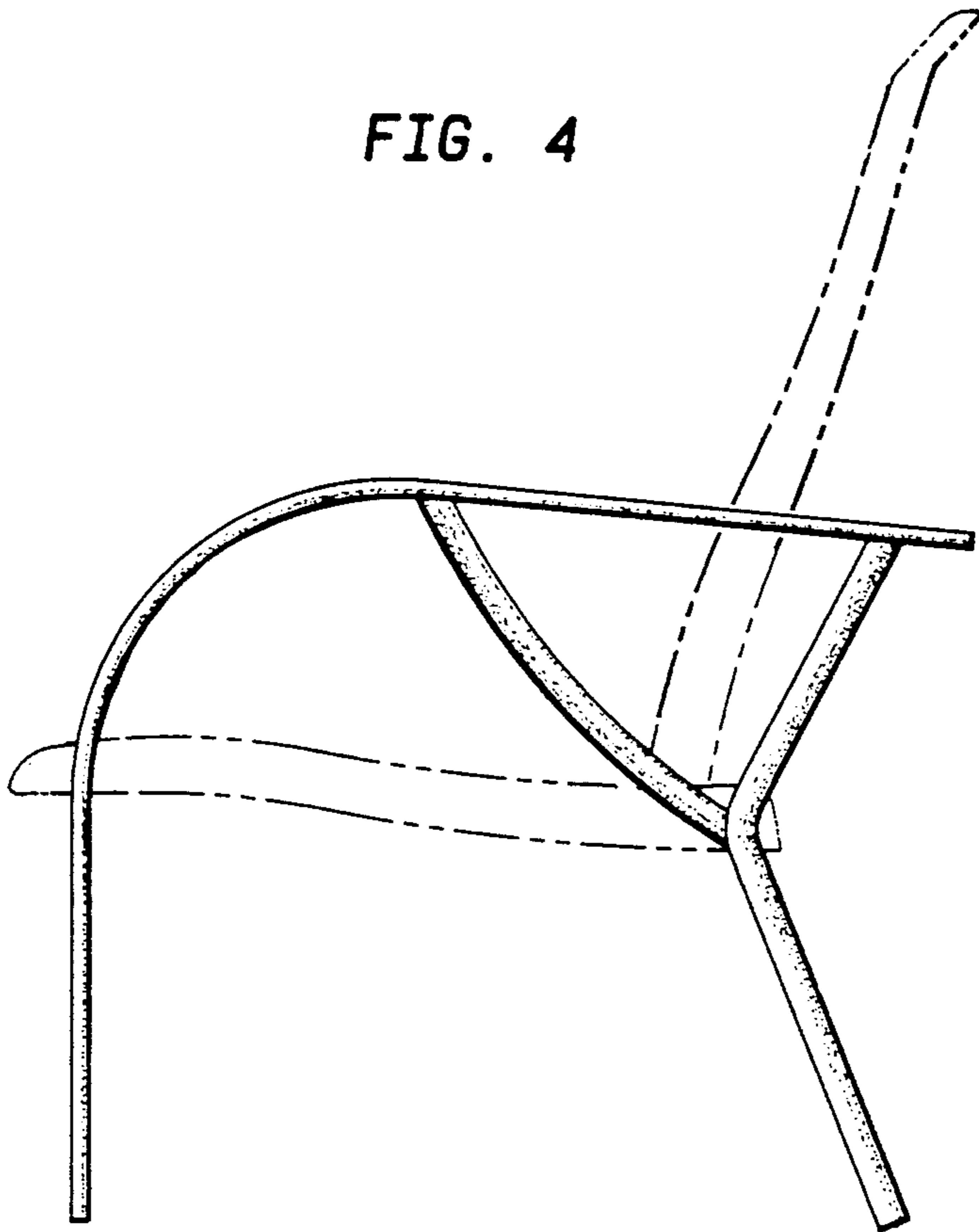


FIG. 5

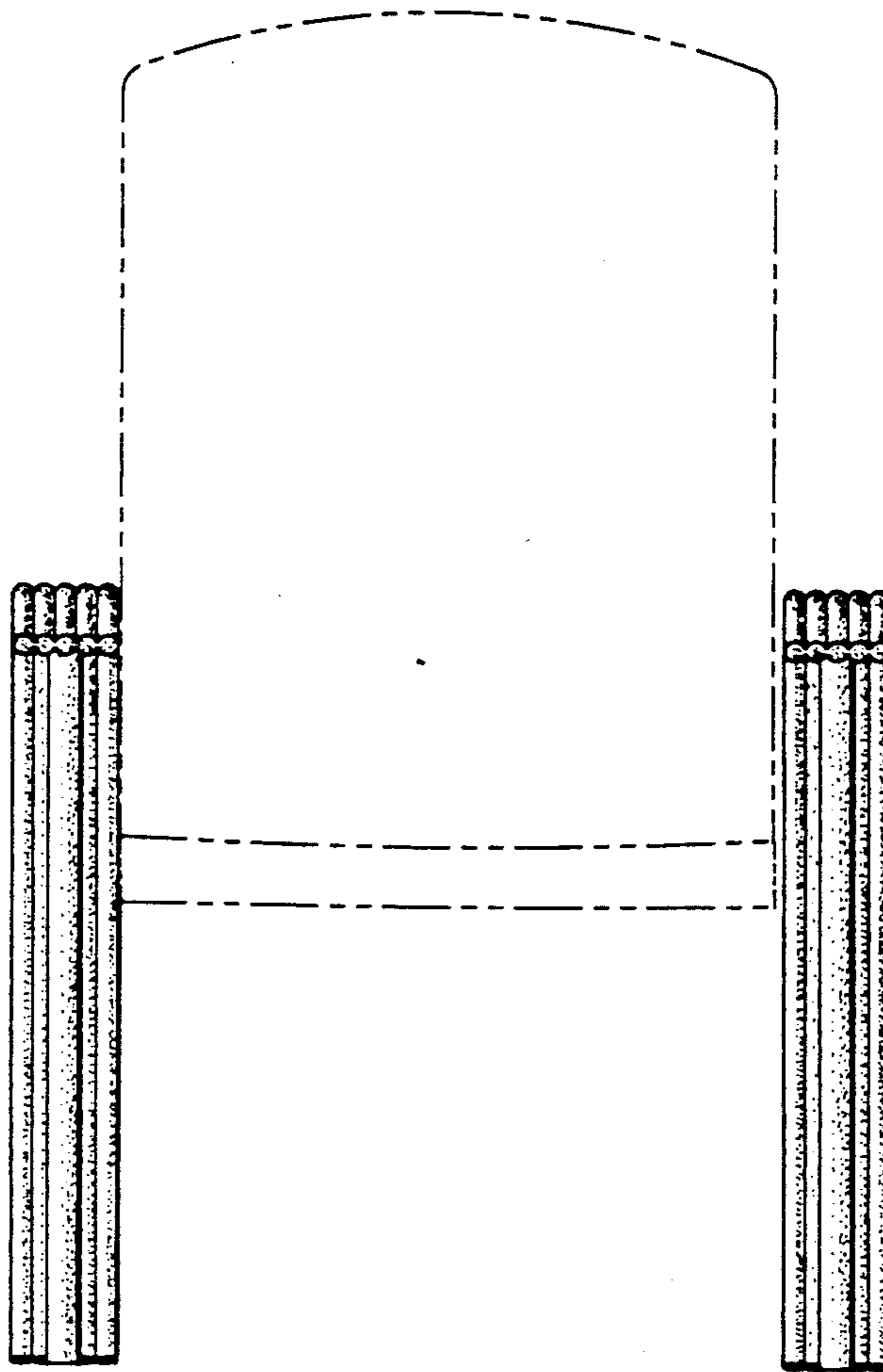


FIG. 6

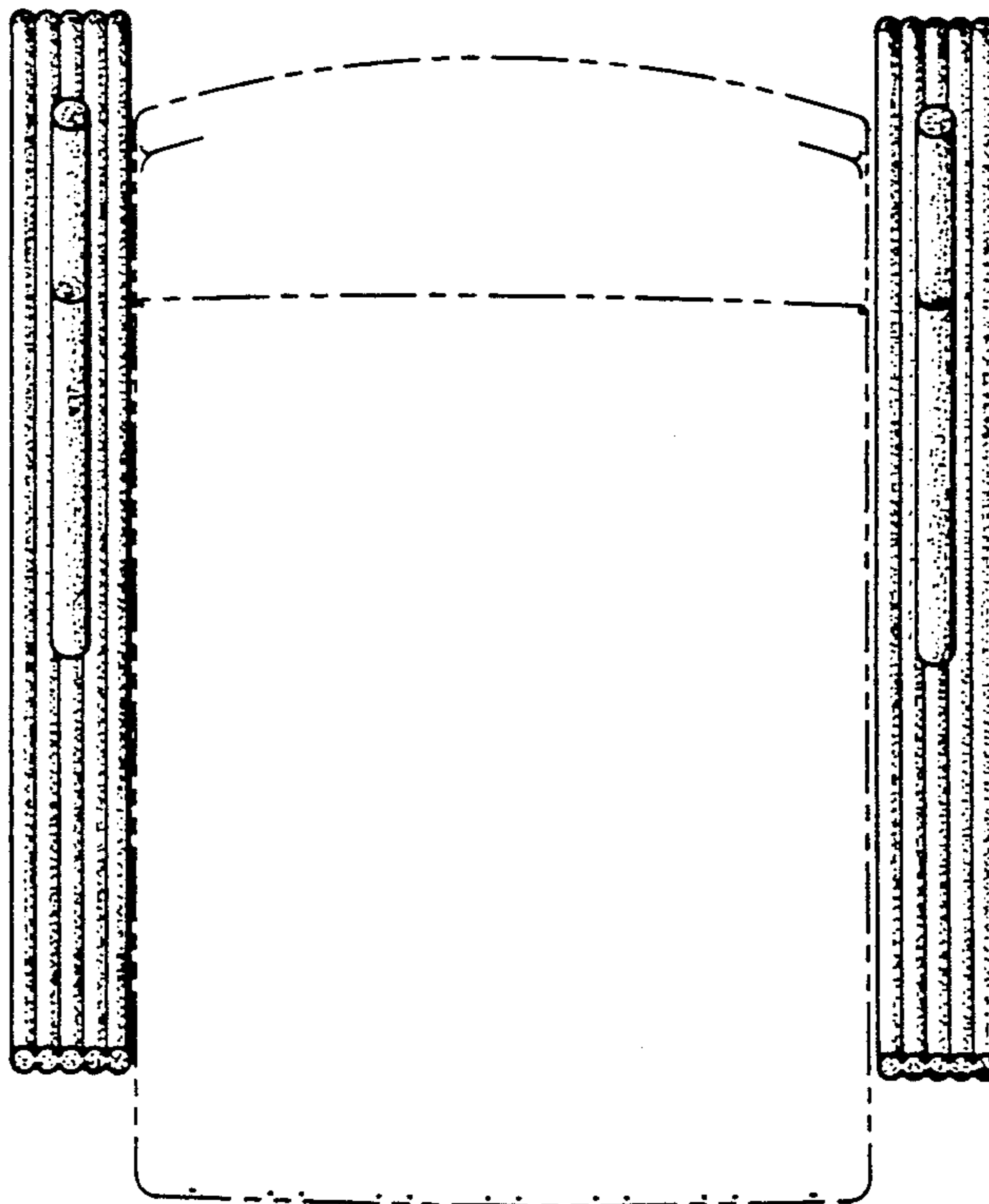


FIG. 7

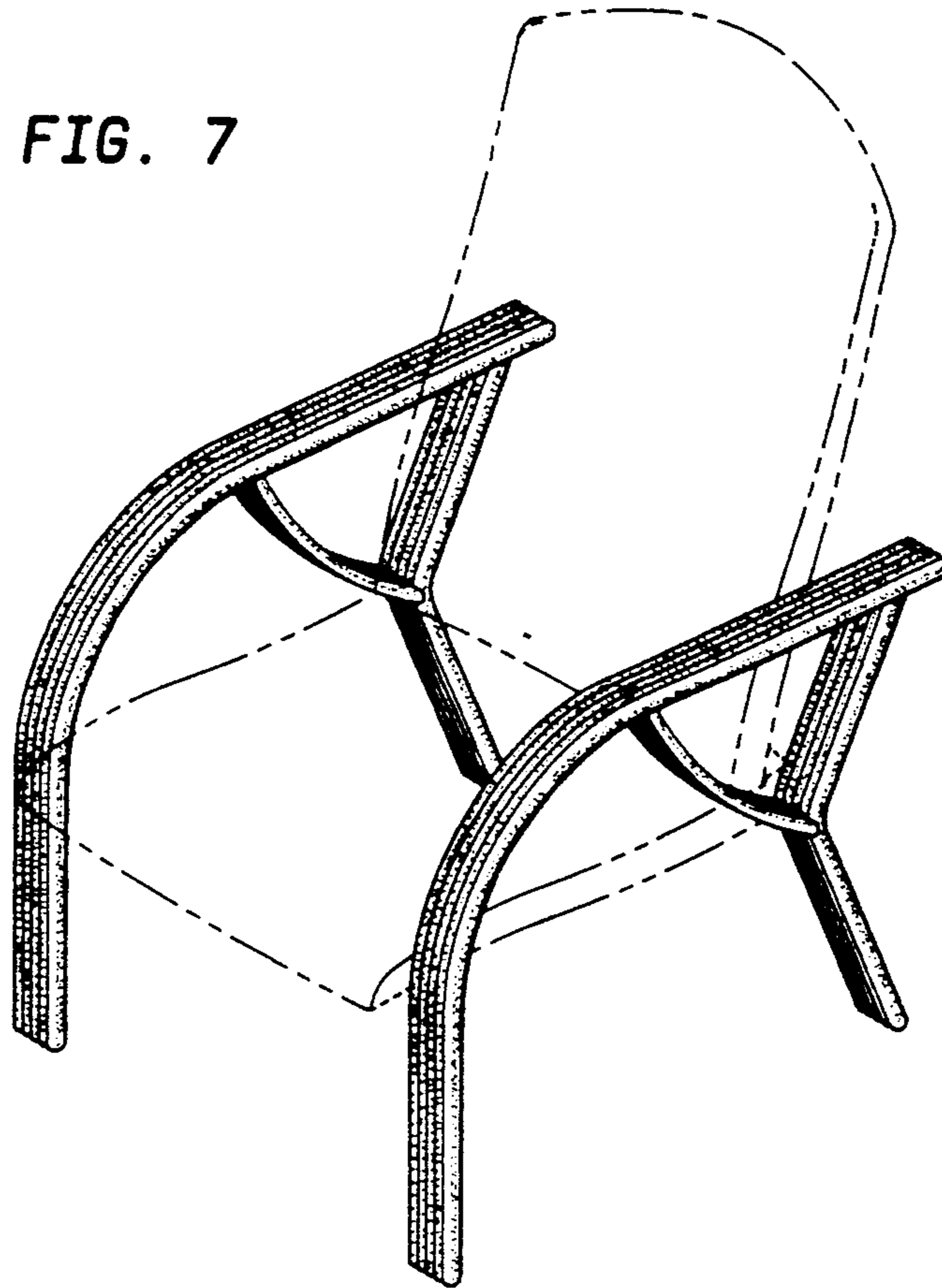


FIG. 8

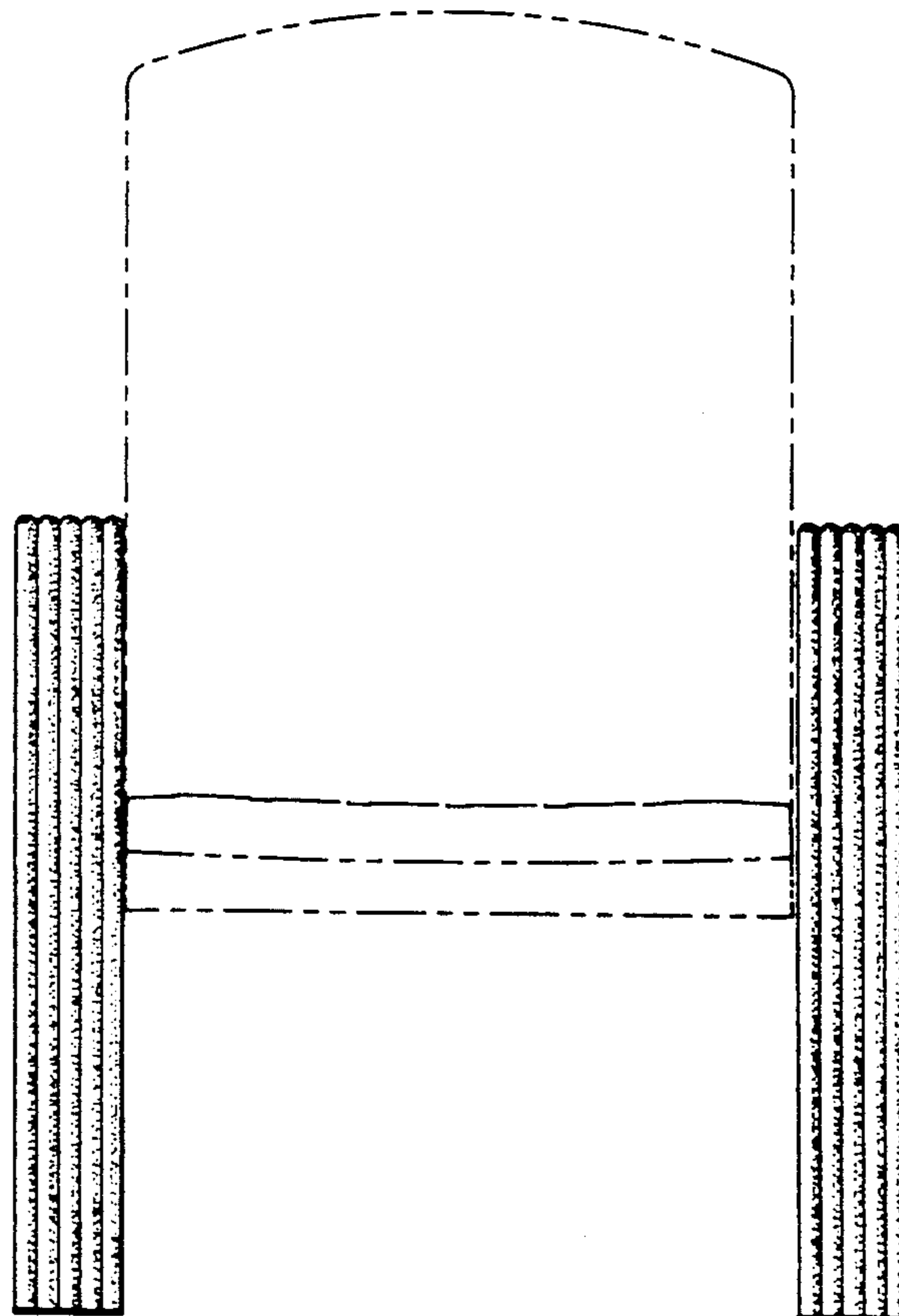


FIG. 9

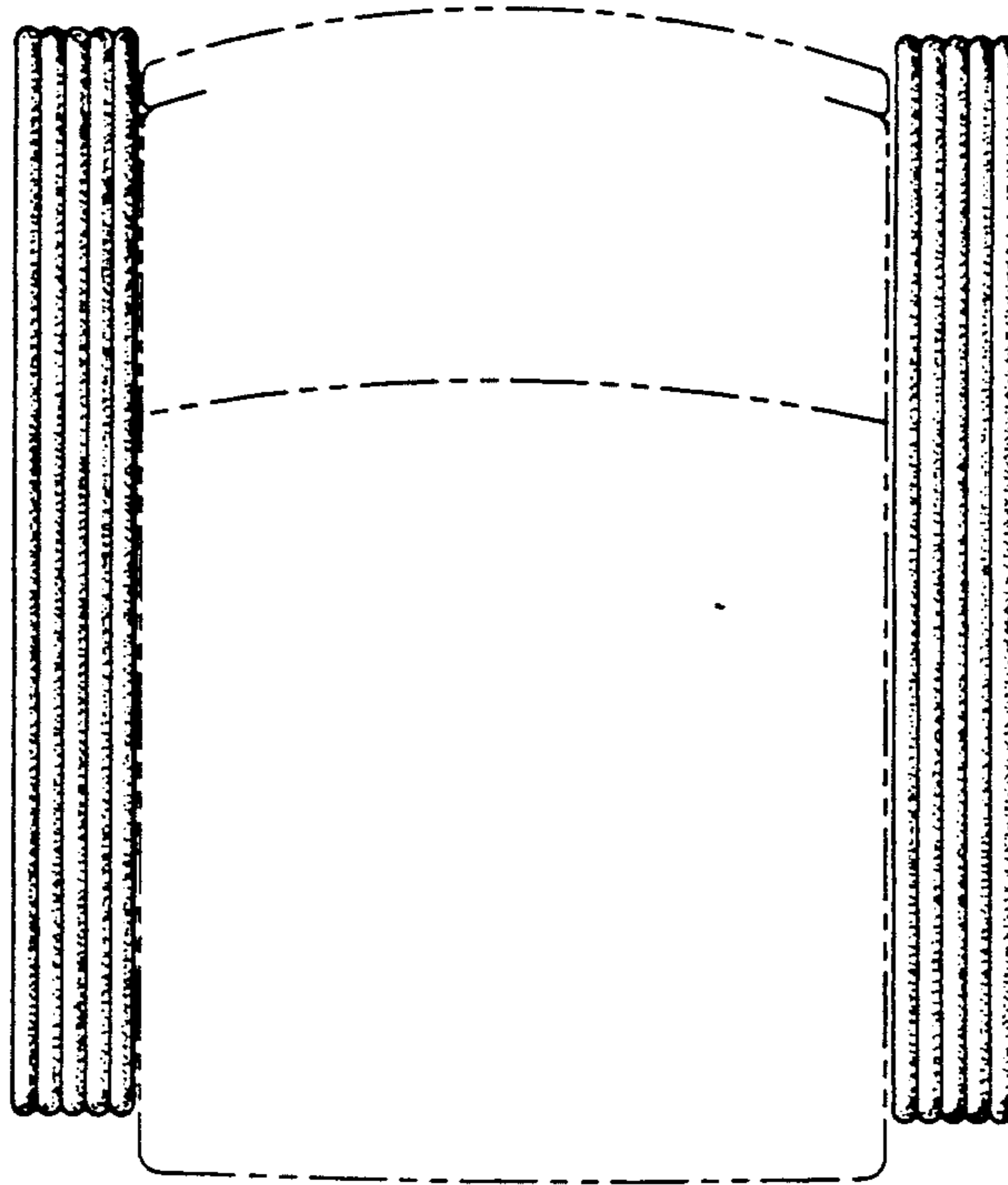


FIG. 10

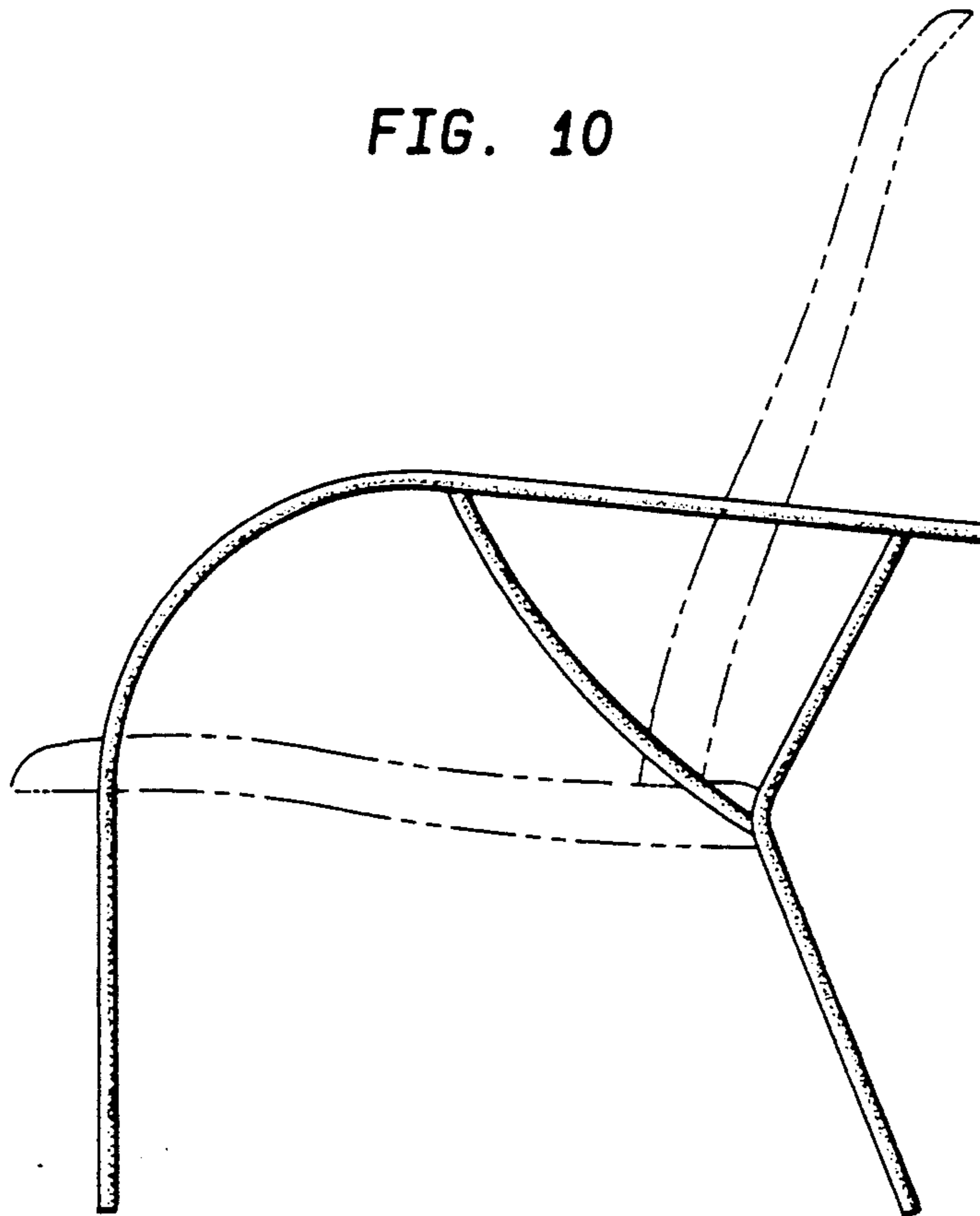


FIG. 11

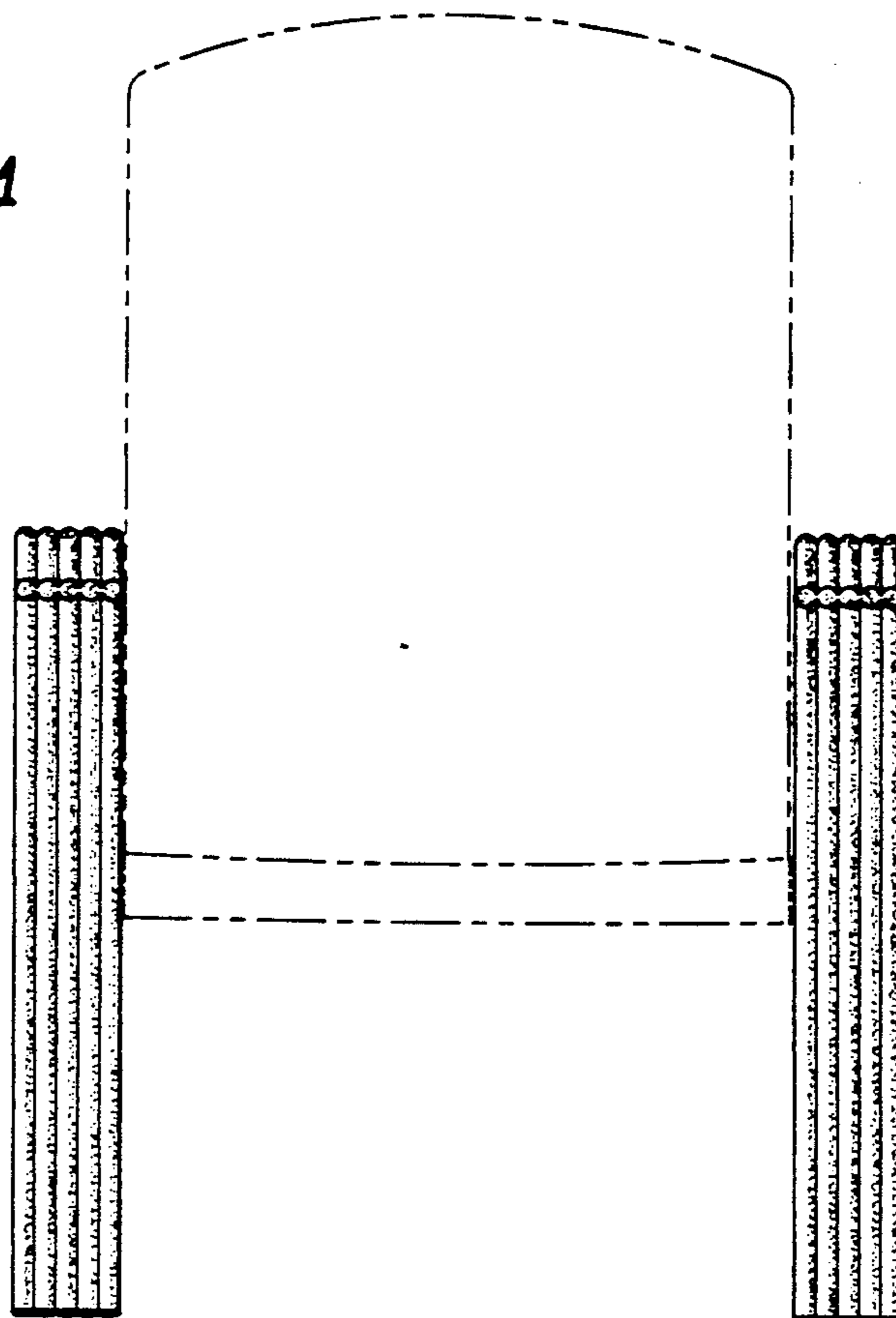


FIG. 12

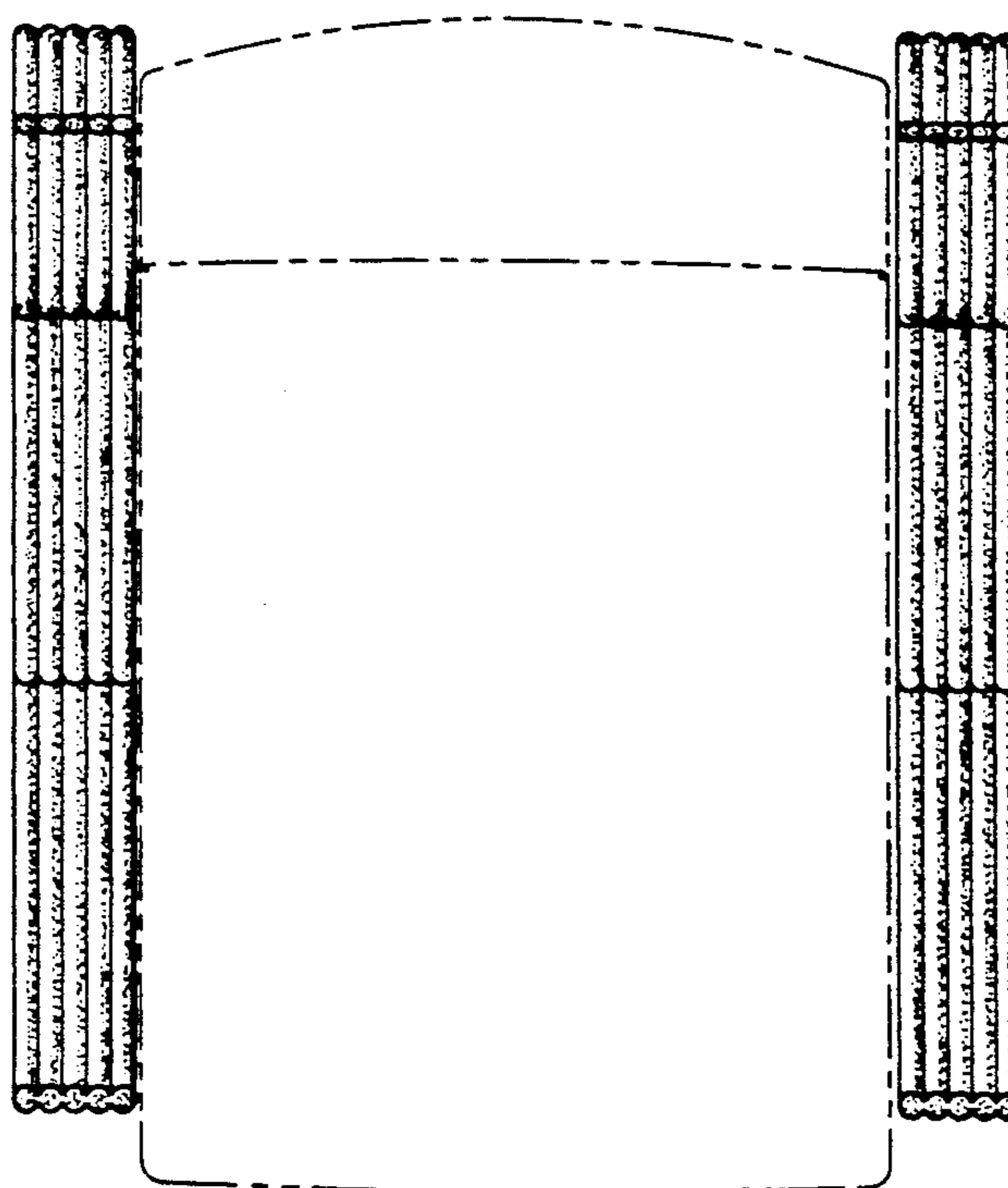


FIG. 13

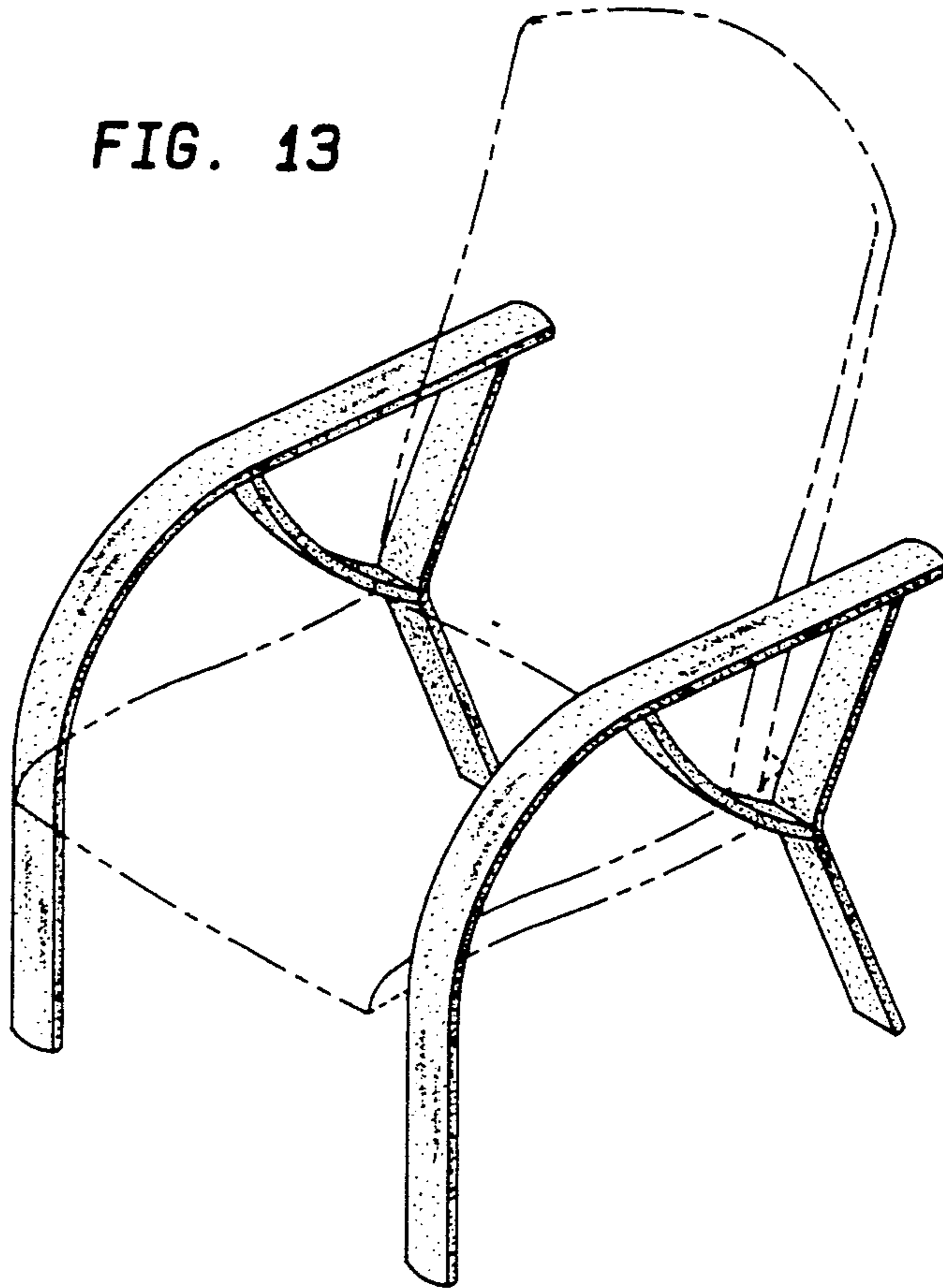


FIG. 14

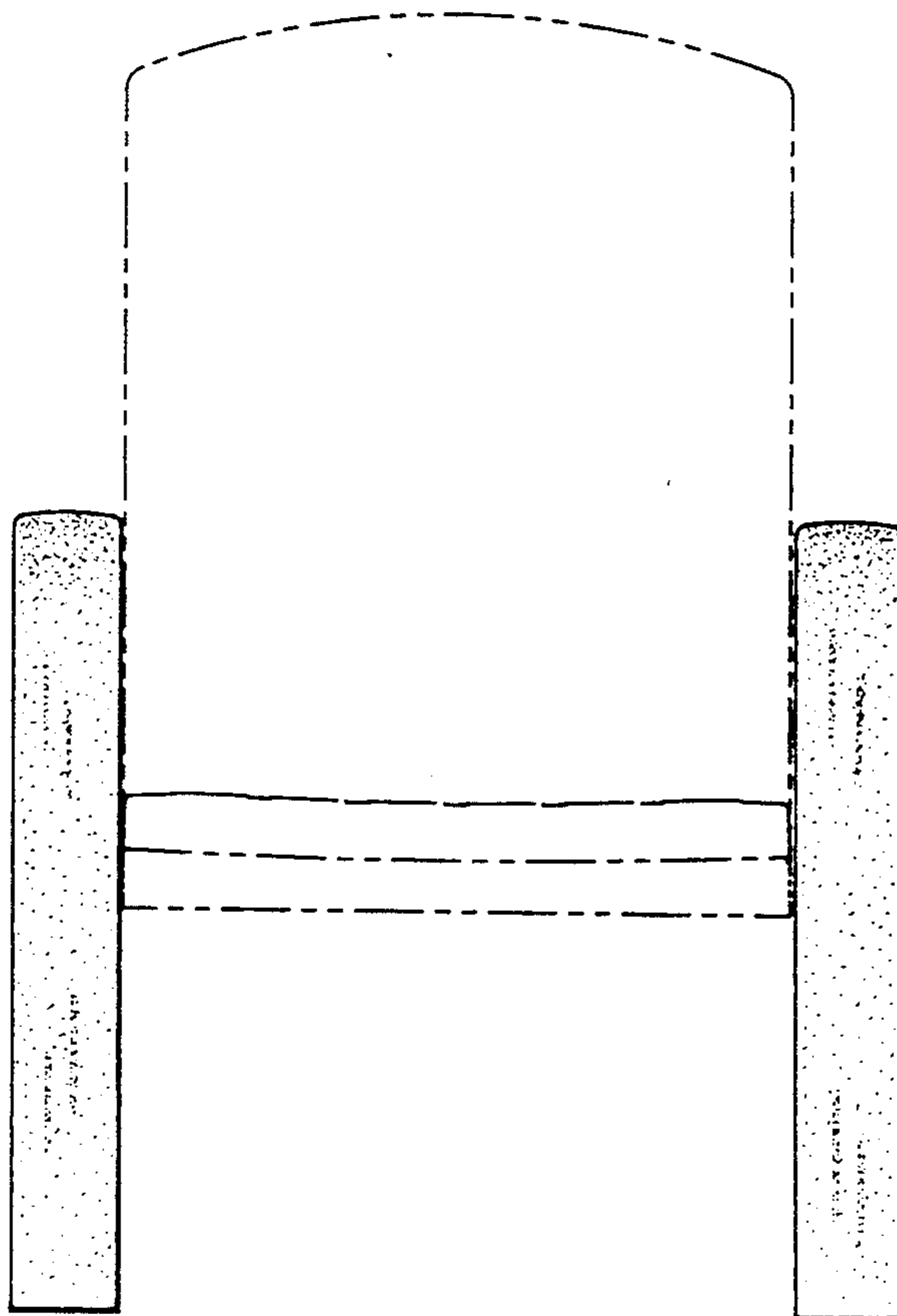


FIG. 15

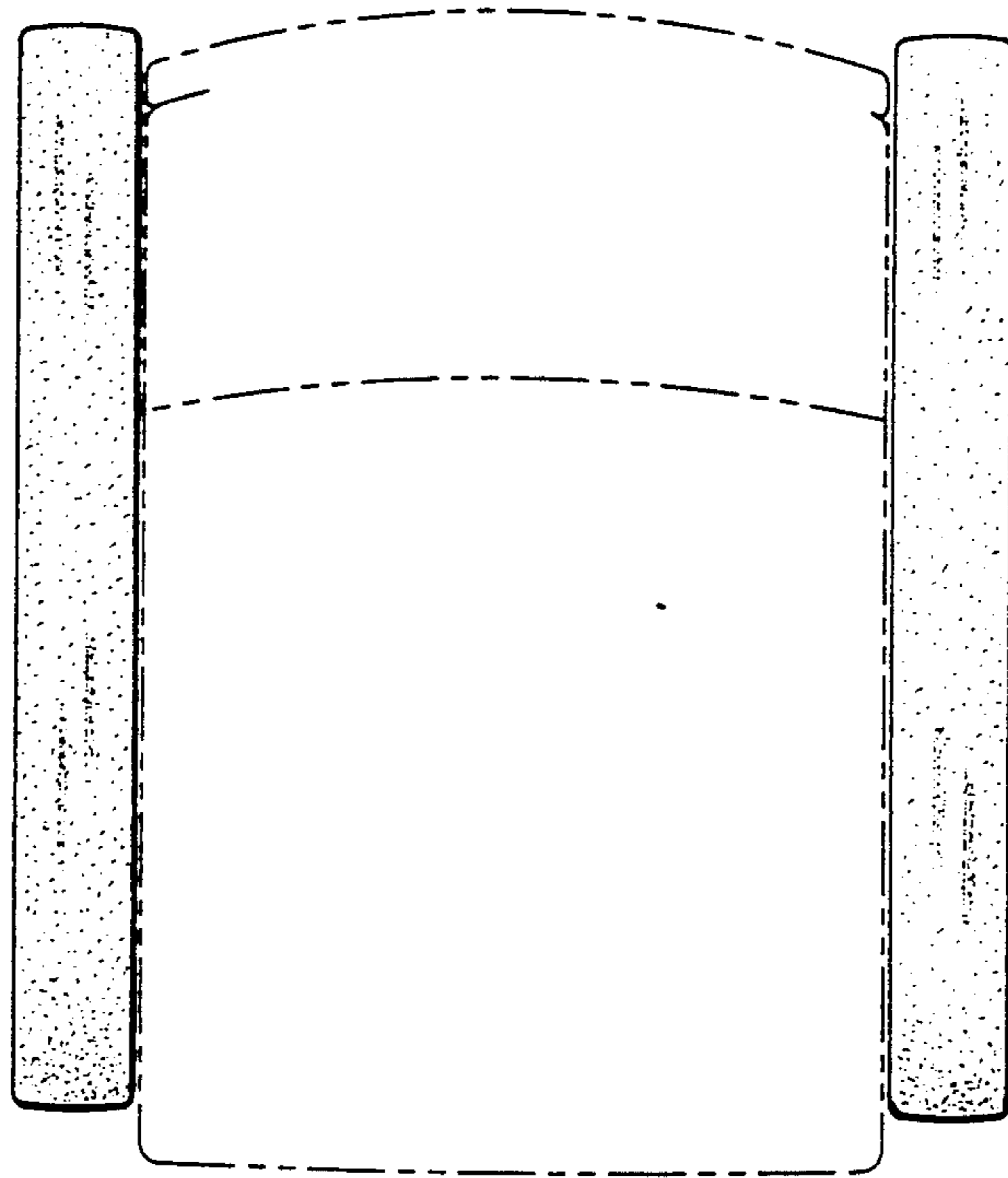


FIG. 16

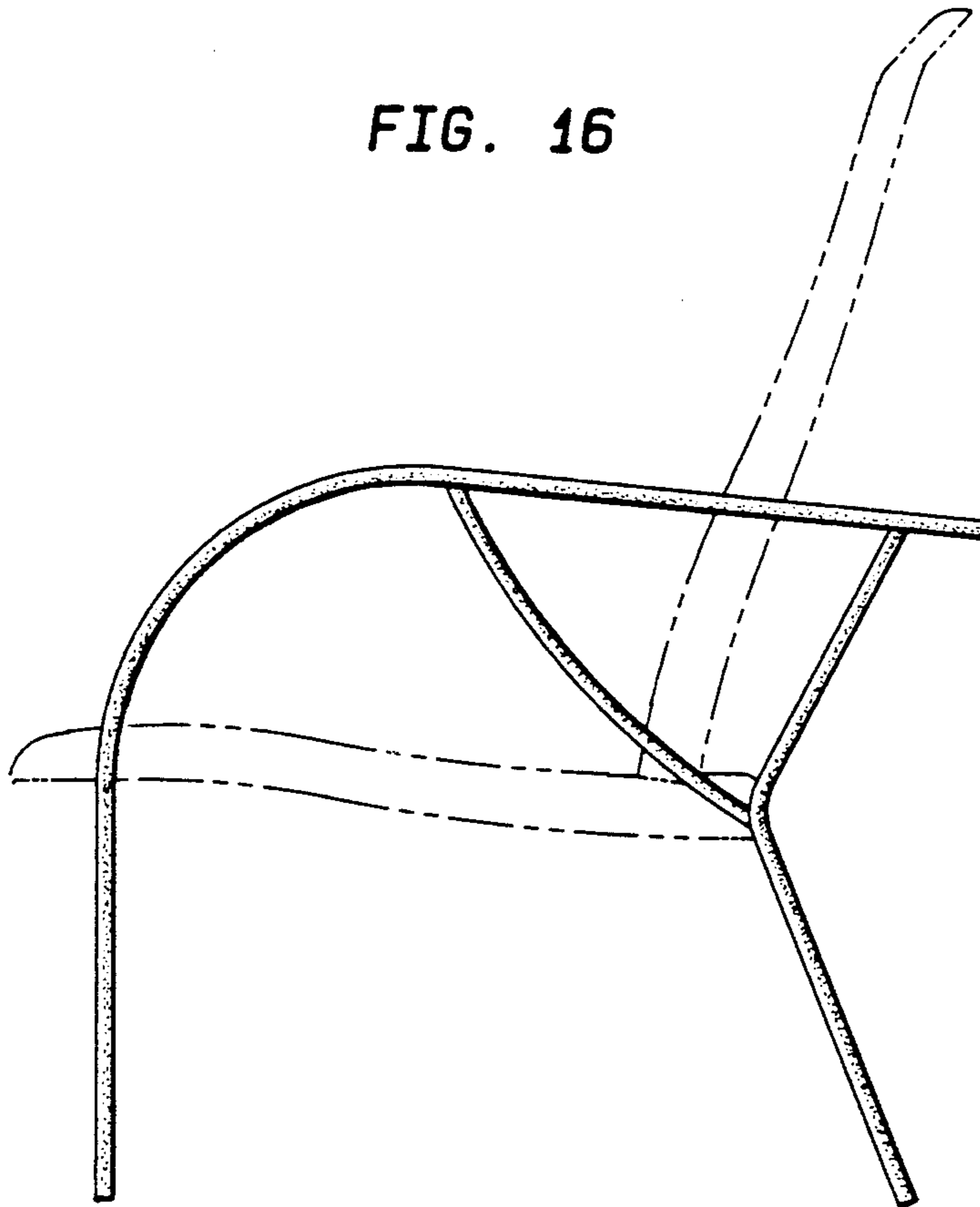


FIG. 17

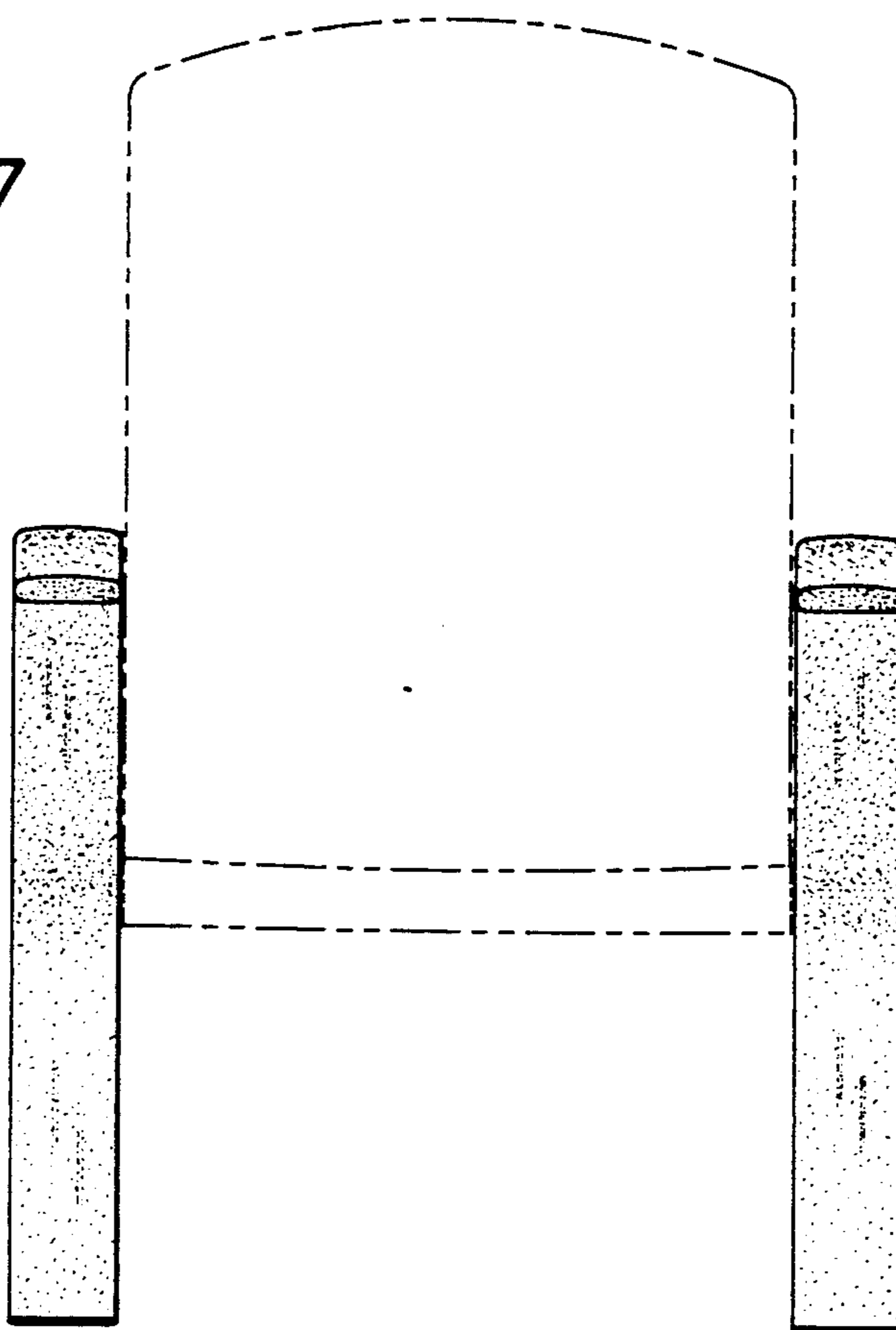


FIG. 18

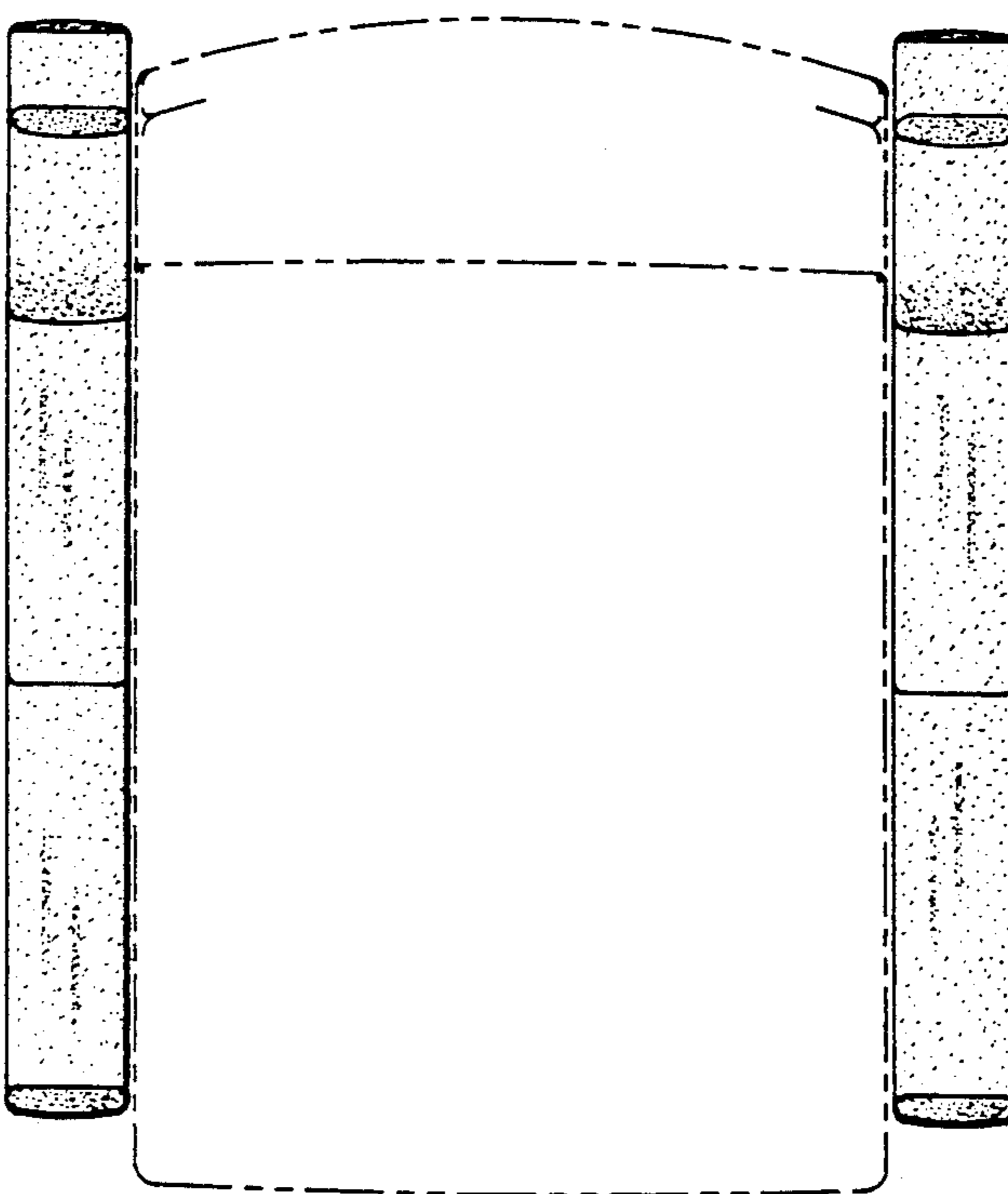


FIG. 19

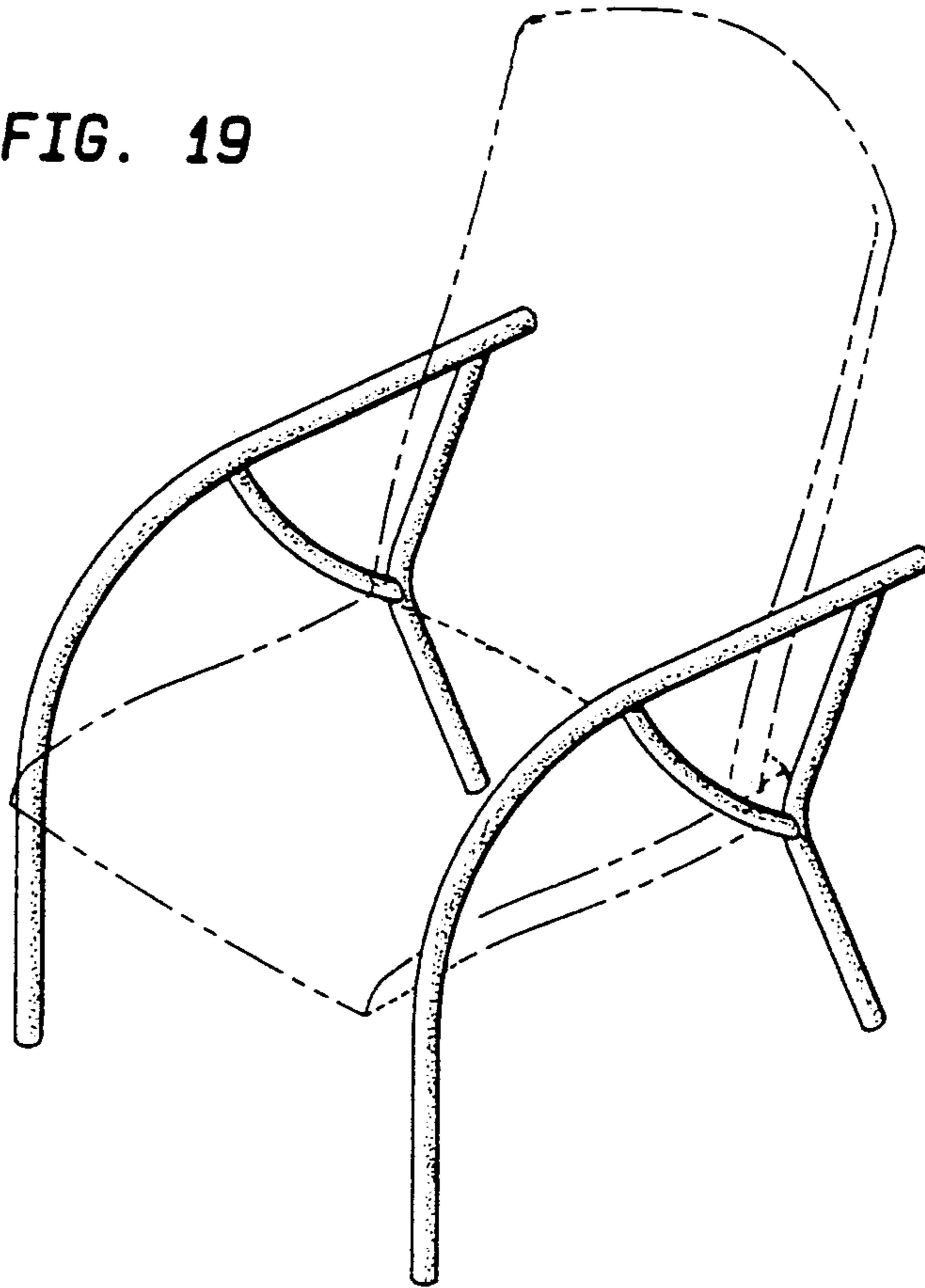


FIG. 20

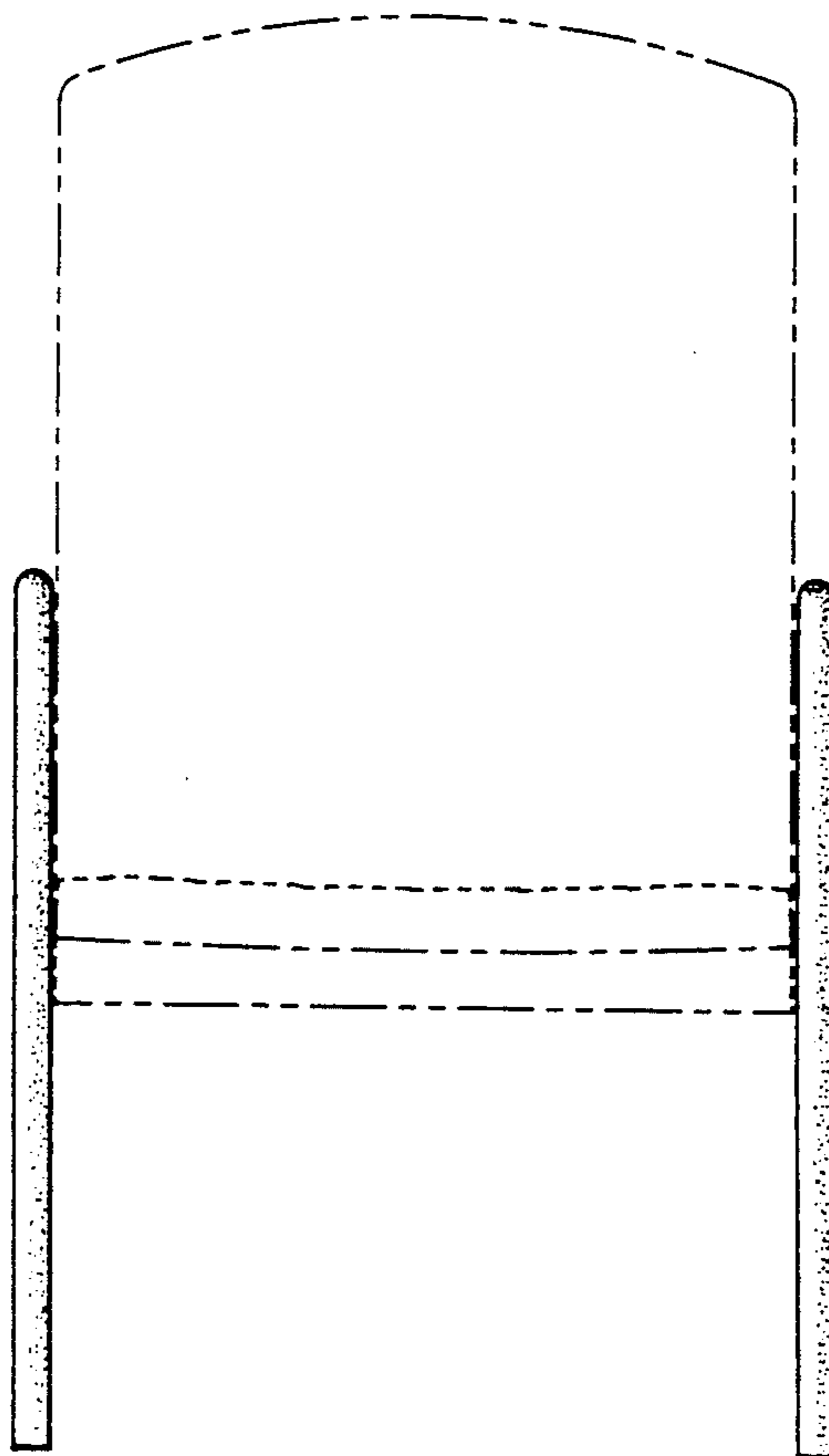


FIG. 21

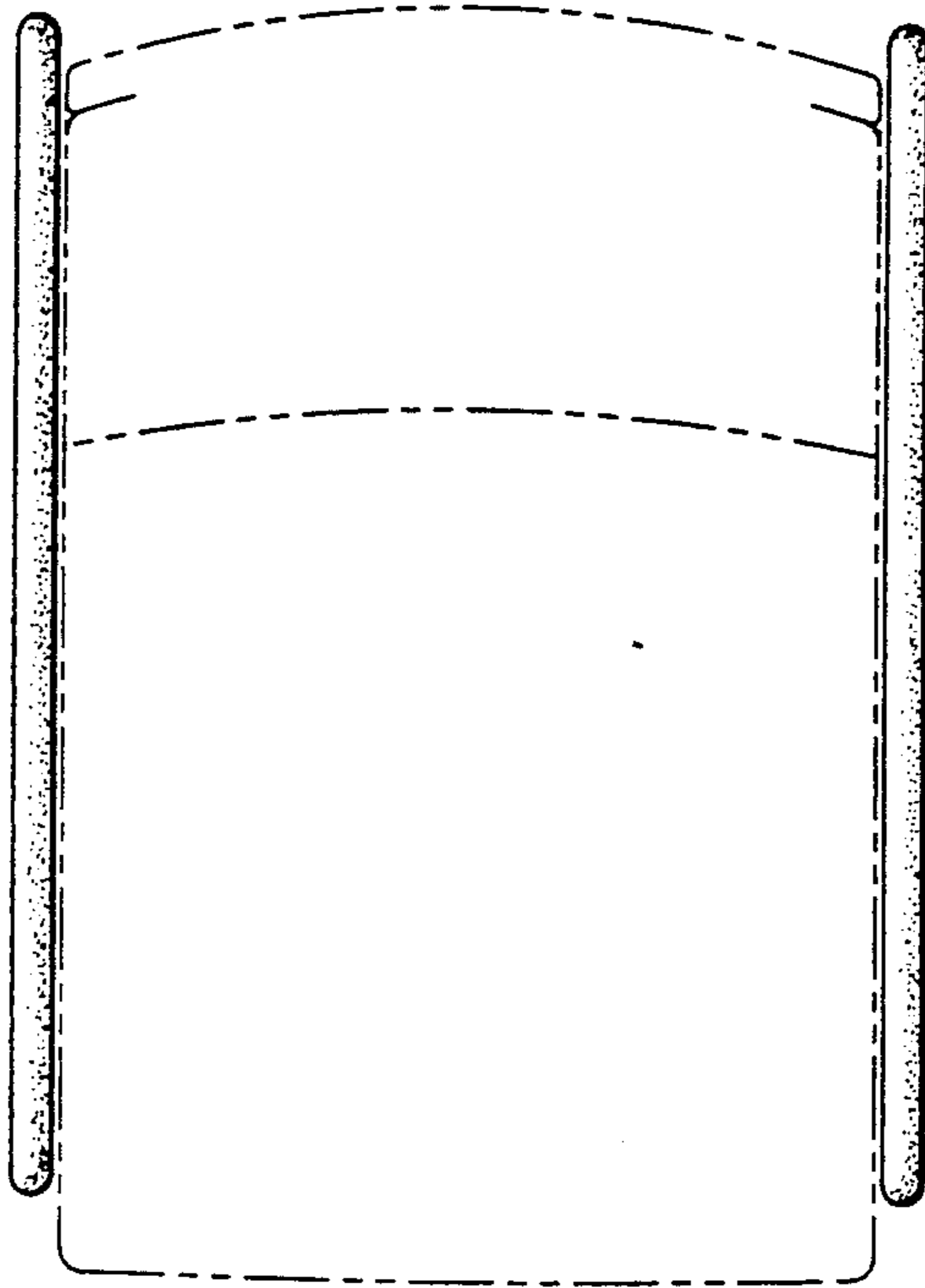


FIG. 22

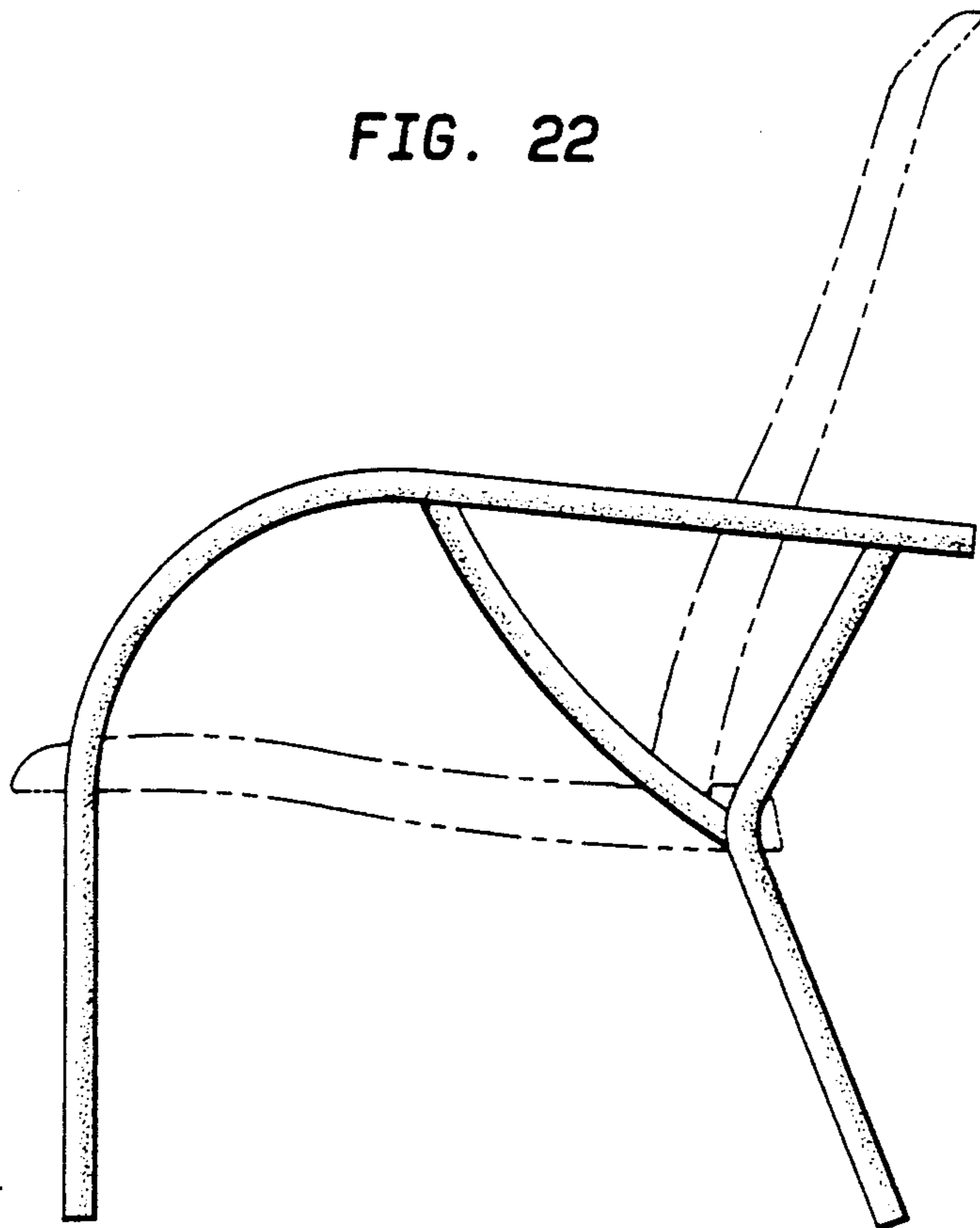


FIG. 23

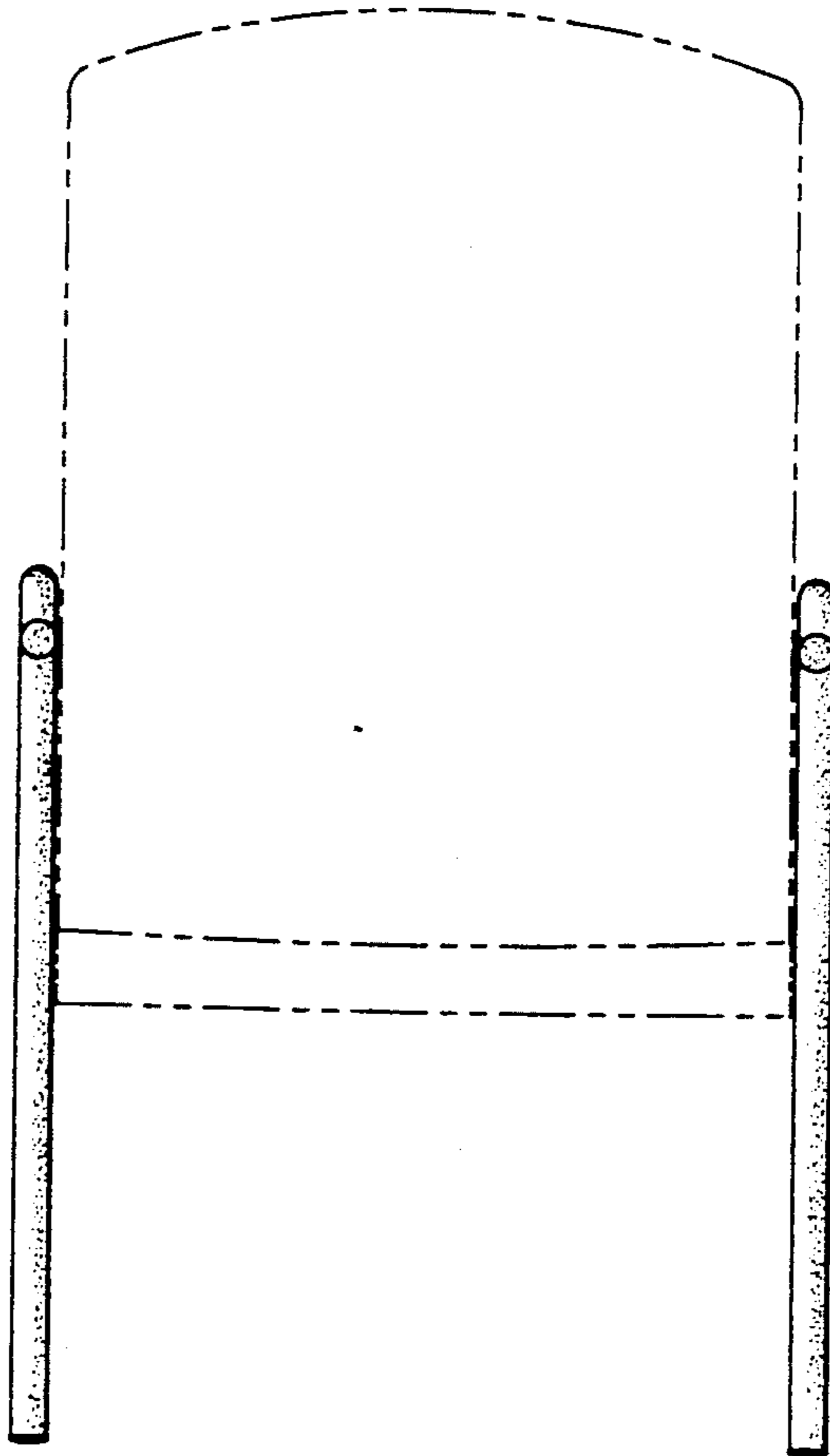


FIG. 24

