



US00D343311S

United States Patent [19]

[11] Patent Number: Des. 343,311

Ball

[45] Date of Patent: ** Jan. 18, 1994

[54] TABLE

[75] Inventor: Douglas C. Ball, Senneville, Canada

[73] Assignee: Steelcase Inc., Grand Rapids, Mich.

[**] Term: 14 Years

[21] Appl. No.: 7,058

[22] Filed: Apr. 12, 1993

D. 334,856	4/1993	Sielaff	D6/484 X
D. 336,394	6/1993	Ball	D6/429 X
3,124,085	3/1964	Sanchez	108/115
3,166,029	1/1965	Acton	108/124

OTHER PUBLICATIONS

Schoner Wohnen May 1988, p. 245, Table in front.

Primary Examiner—Nelson C. Holtje

Assistant Examiner—J. E. Seeger

Attorney, Agent, or Firm—Leydig, Voit & Mayer, Ltd.

Related U.S. Application Data

[62] Division of Ser. No. 575,995, Aug. 31, 1990, Pat. No. Des. 336,394.

[52] U.S. Cl. D6/487; D6/429

[58] Field of Search D6/480, 482-489, D6/495-499, 455, 429; 108/146, 115, 116, 121, 161

[57] CLAIM

The ornamental design for the table, as shown and described.

DESCRIPTION

FIG. 1 is a perspective view of a table, showing my new design;

FIG. 2 is a side elevational view, the opposite side being identical thereto;

FIG. 3 is a bottom plan view; and,

FIG. 4 is an end elevational view, the opposite end being identical thereto.

[56]

References Cited

U.S. PATENT DOCUMENTS

D. 234,735 4/1975 Podell D6/480





FIG. 1

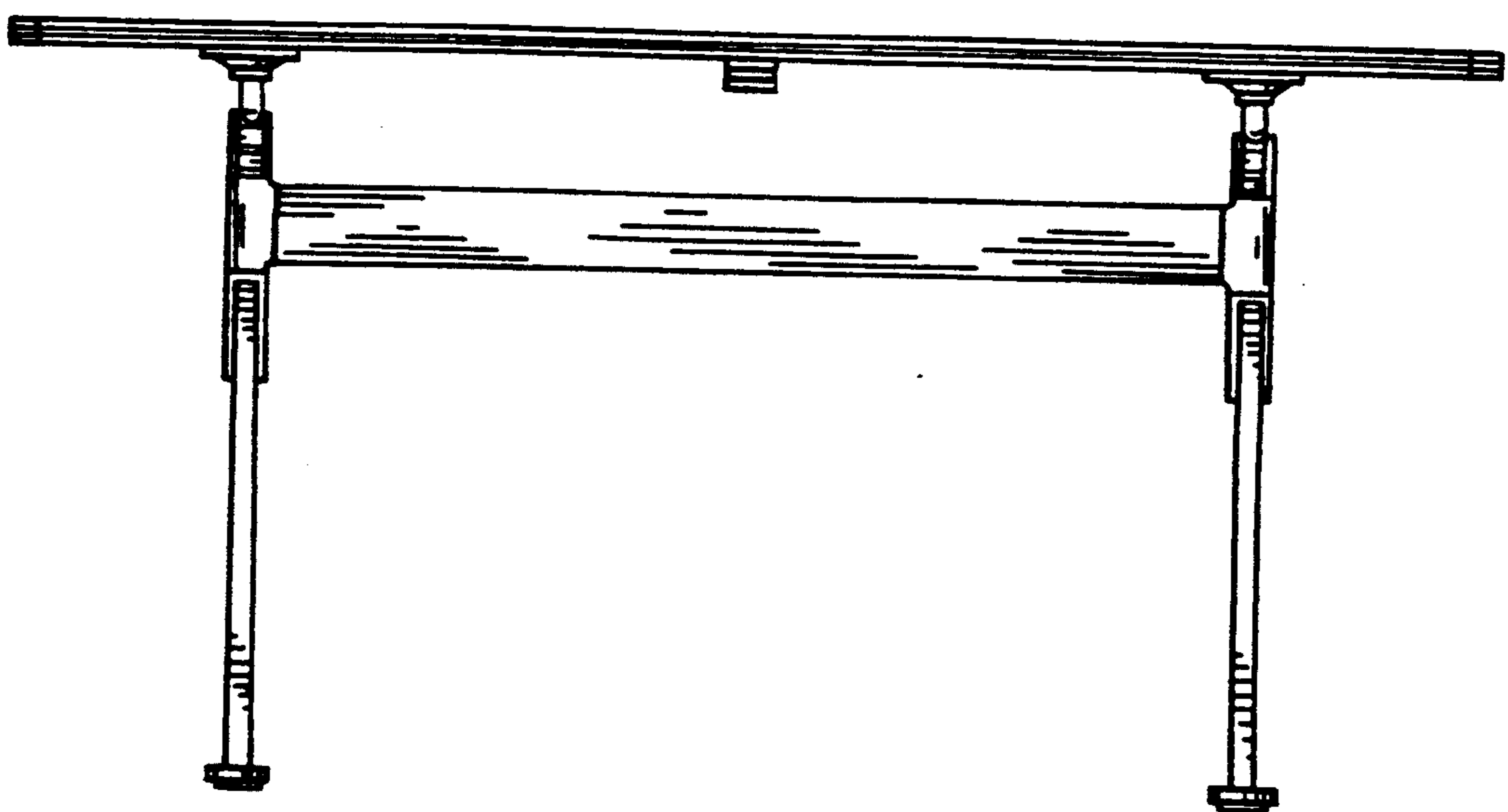


FIG. 2

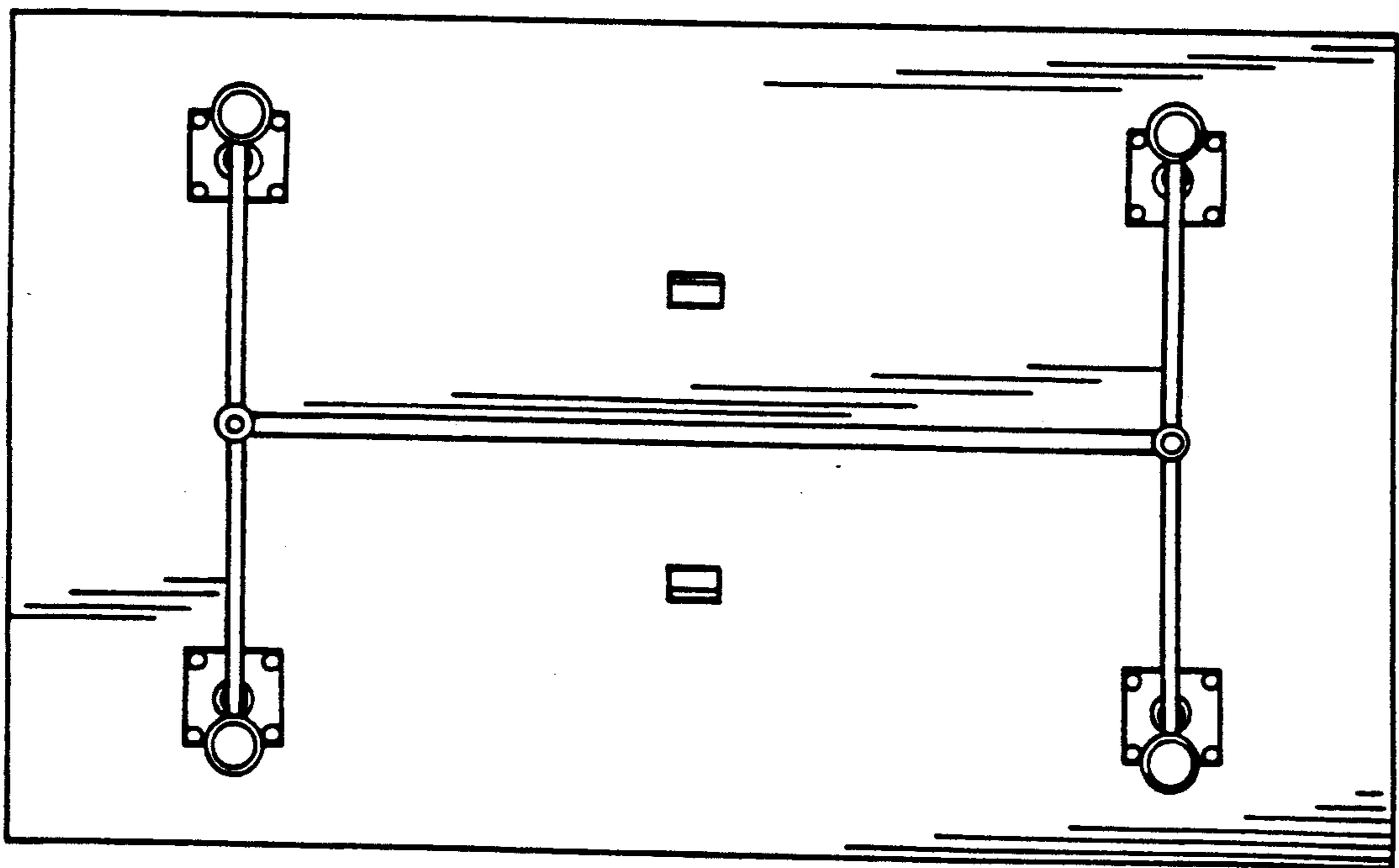


FIG. 3

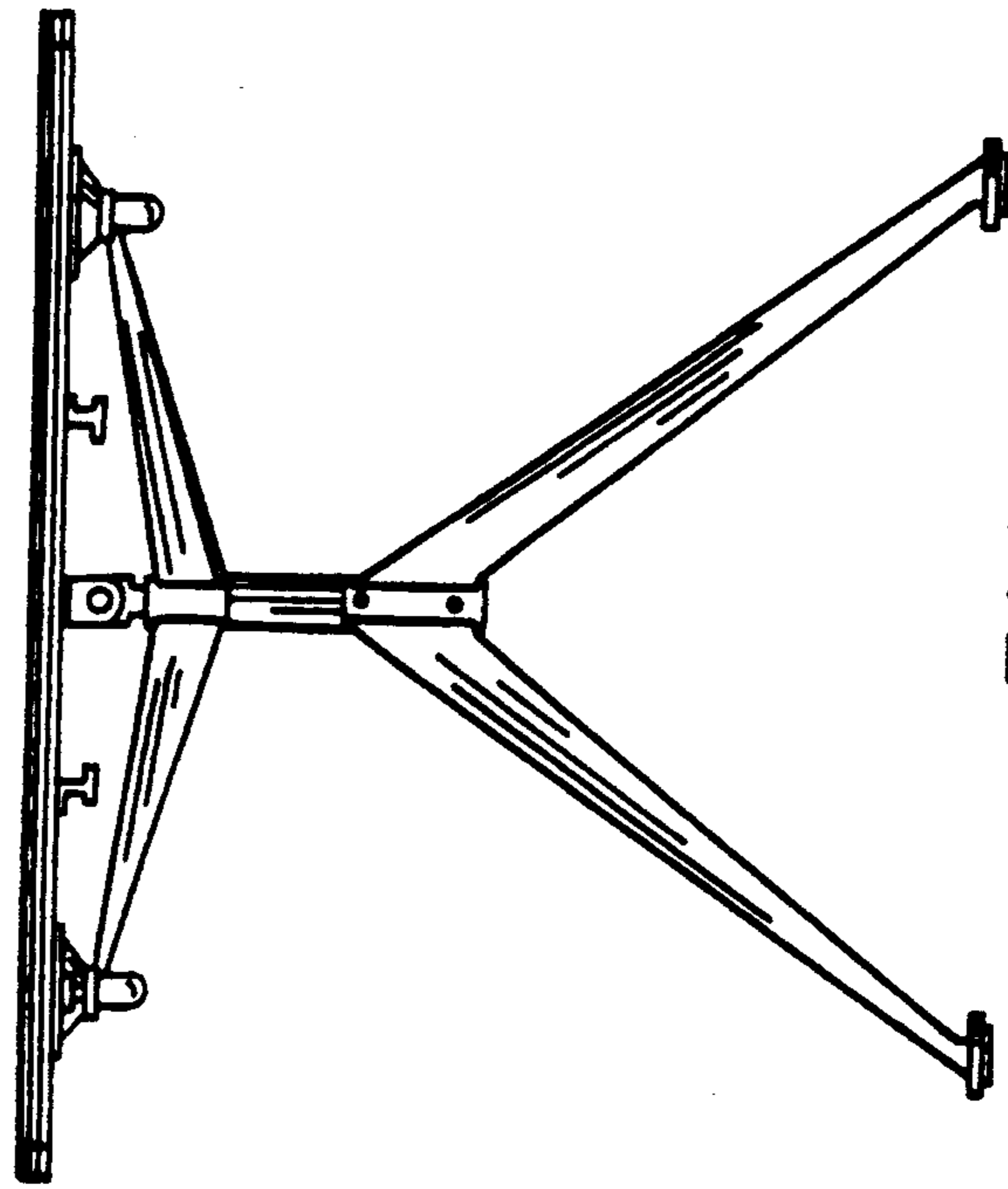


FIG. 4