



US00D343310S

**United States Patent** [19]  
**Wong**

[11] **Patent Number: Des. 343,310**  
[45] **Date of Patent: \*\* Jan. 18, 1994**

[54] **COCKTAIL TABLE**

[76] **Inventor: Kathi Wong, 123 Mission St., Plaza Level, San Francisco, Calif. 94105**

[\*\*] **Term: 14 Years**

[21] **Appl. No.: 788,746**

[22] **Filed: Nov. 7, 1991**

[52] **U.S. Cl. .... D6/486; D6/487**

[58] **Field of Search .... D6/480-489, D6/495, 496, 498, 499; 108/150, 161**

[56] **References Cited**

**U.S. PATENT DOCUMENTS**

D. 58,953	9/1921	Swanson .	
D. 159,561	8/1950	Tanier .....	D6/480
D. 165,829	2/1952	Dorr, Jr. ....	D6/486
D. 197,778	3/1964	Reffs .....	D6/488 X
D. 208,228	8/1967	Flashman .....	D6/450
D. 237,236	10/1975	Green .....	D6/179
D. 238,526	1/1976	Bush .....	D6/486
D. 243,303	2/1977	Jackson .....	D6/177
D. 249,856	10/1978	Levell .....	D6/148
D. 250,308	11/1978	Adkinson .....	D6/146
D. 257,925	1/1981	Redmond .....	D6/146
D. 258,327	2/1981	Friedman .....	D6/27
D. 296,399	6/1988	Epp .....	D6/486

D. 296,738	7/1988	Hubert .....	D6/486
D. 305,850	2/1990	Peterson et al. ....	D7/608
D. 306,539	3/1990	Mergenov .....	D6/477
D. 330,982	11/1992	Braun .....	D6/486 X
4,078,757	3/1978	Waters .....	108/150 X

**OTHER PUBLICATIONS**

Ficks Reed, p. 36, Pedestal Table.  
Lane, p. 14, drum table at top right, #1062-22.  
Lowenstein/Oggo Catalist 15, p. 52, base #135 top right.  
Royal Chrome ®1947, p. 27, bottom left.

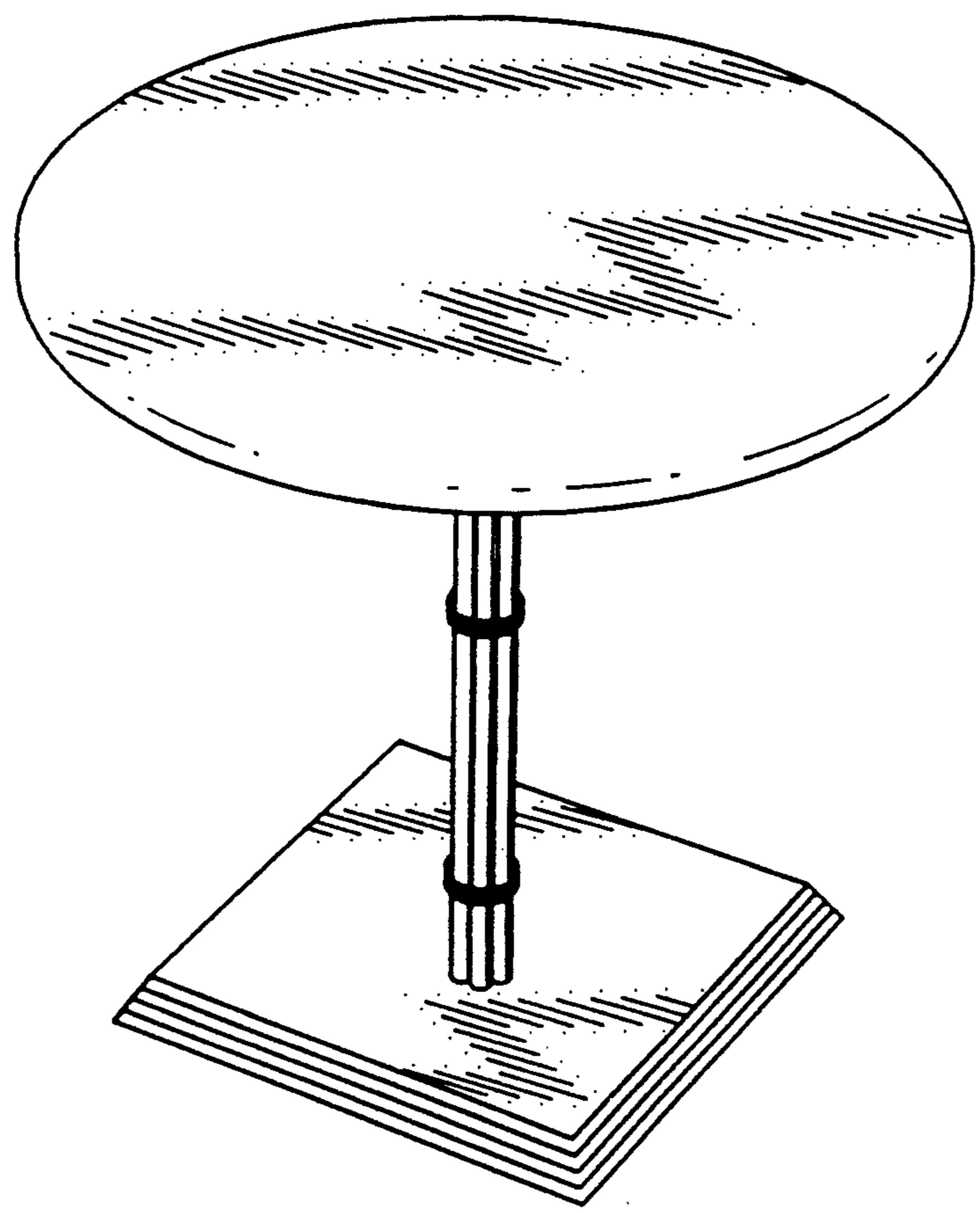
*Primary Examiner*—Nelson C. Holtje  
*Assistant Examiner*—J. E. Seeger  
*Attorney, Agent, or Firm*—Kam T. Tam

[57] **CLAIM**

The ornamental design for a cocktail table, as shown and described.

**DESCRIPTION**

FIG. 1 is a top perspective view of the cocktail table embodying my new design;  
FIG. 2 is a bottom perspective view thereof;  
FIG. 3 is a side elevational view thereof;  
FIG. 4 is a top plan view thereof; and,  
FIG. 5 is a bottom plan view thereof taken along line 5—5 of FIG. 3.



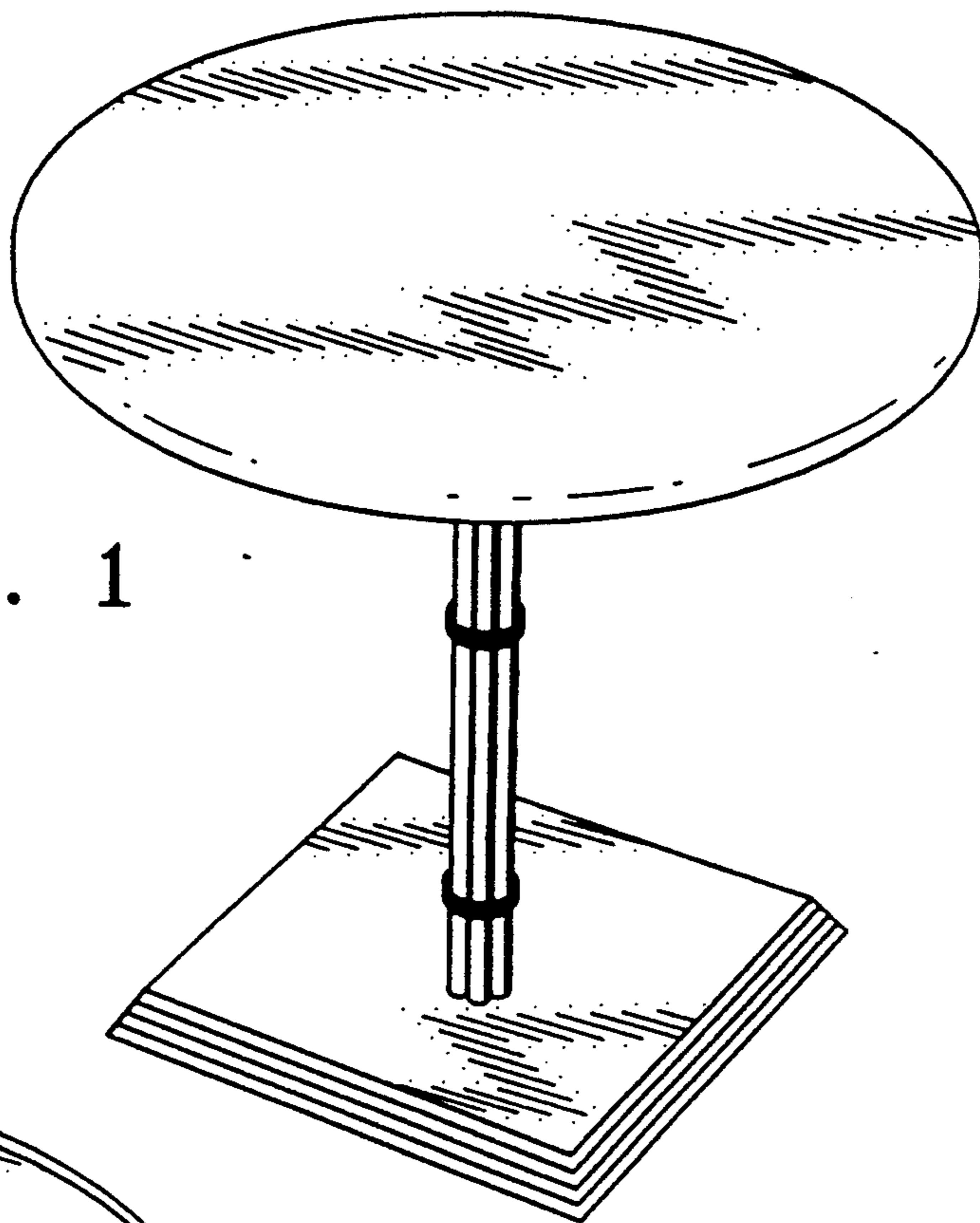


Fig. 1

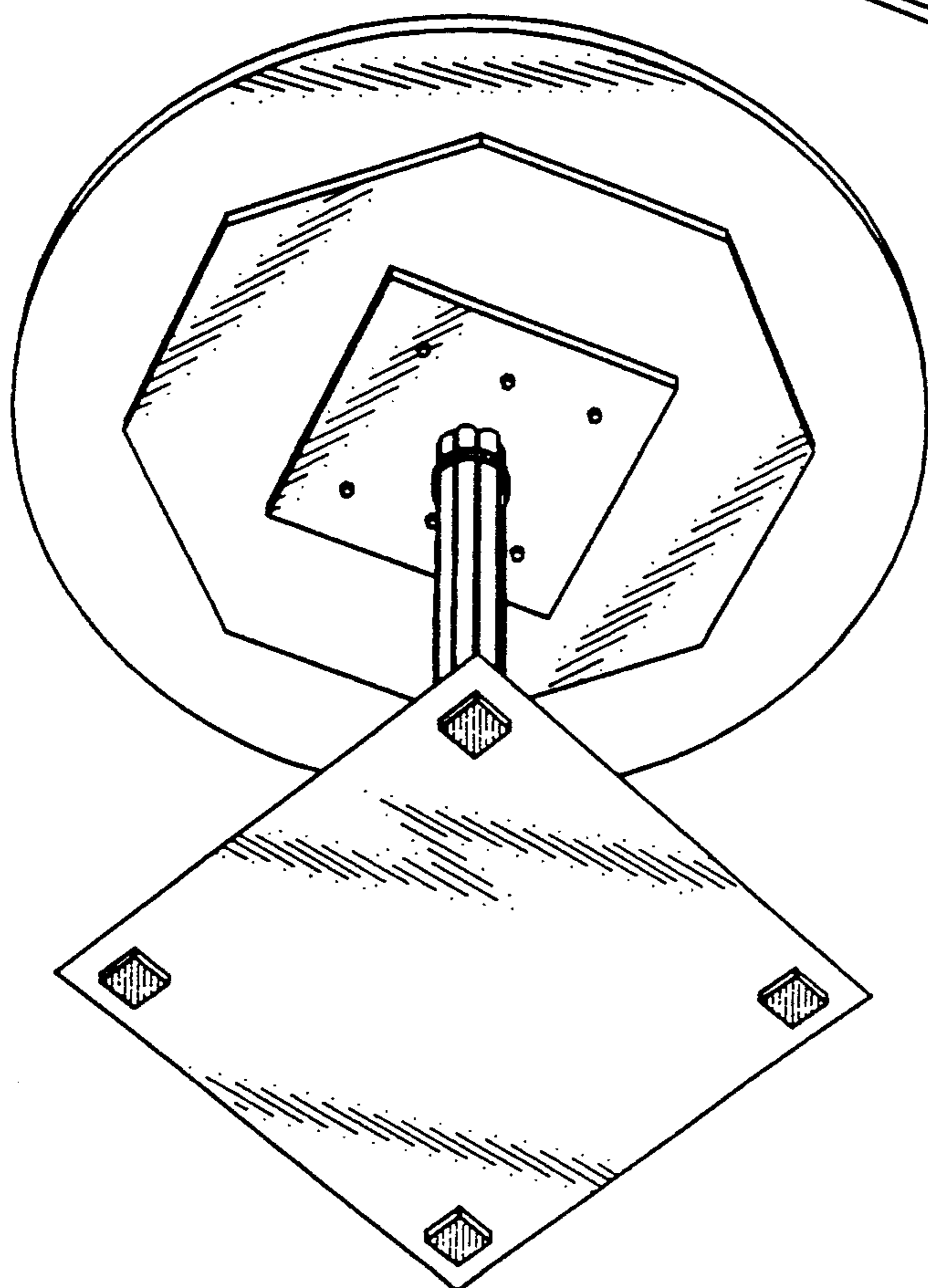


Fig. 2

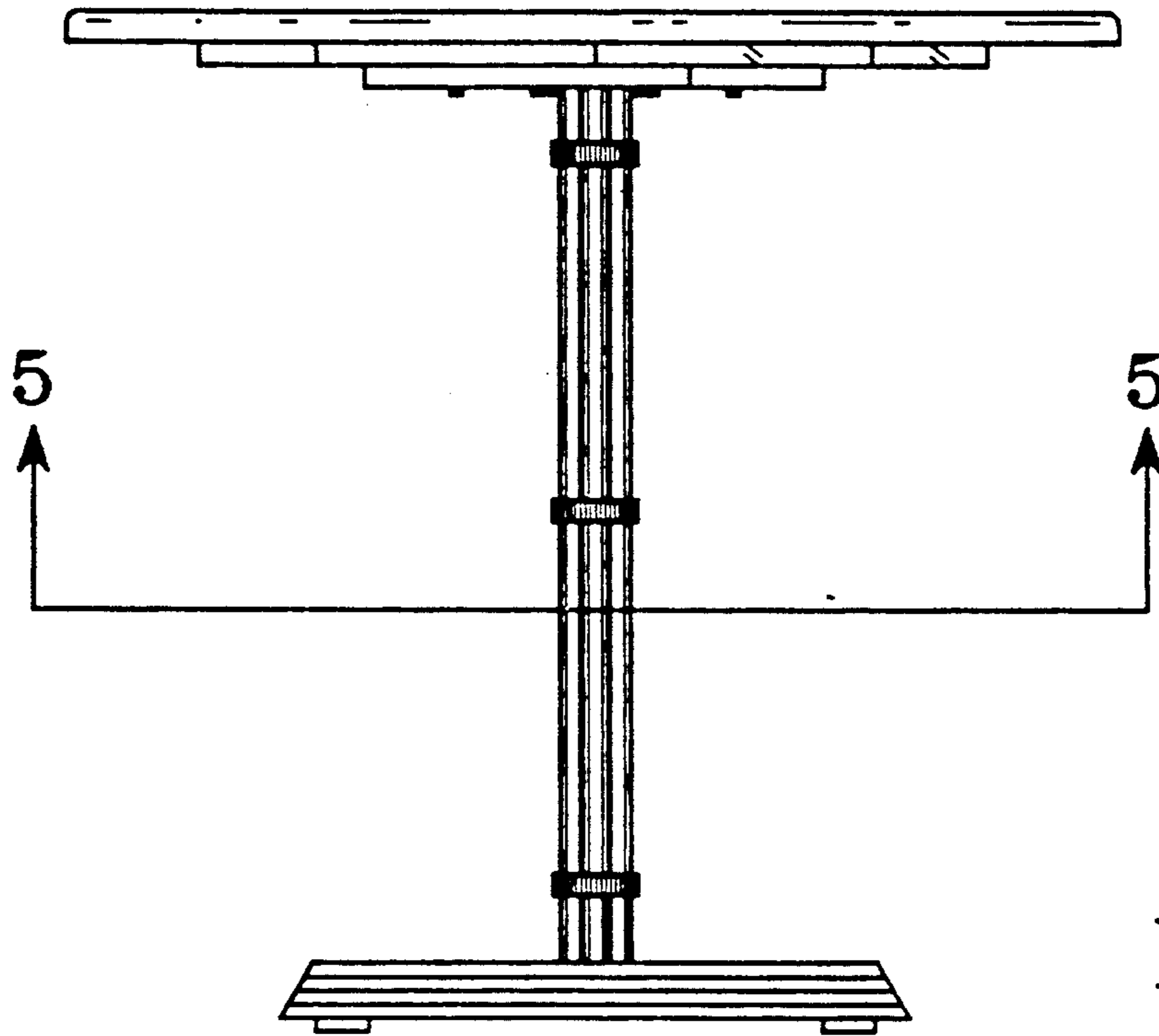


Fig. 3

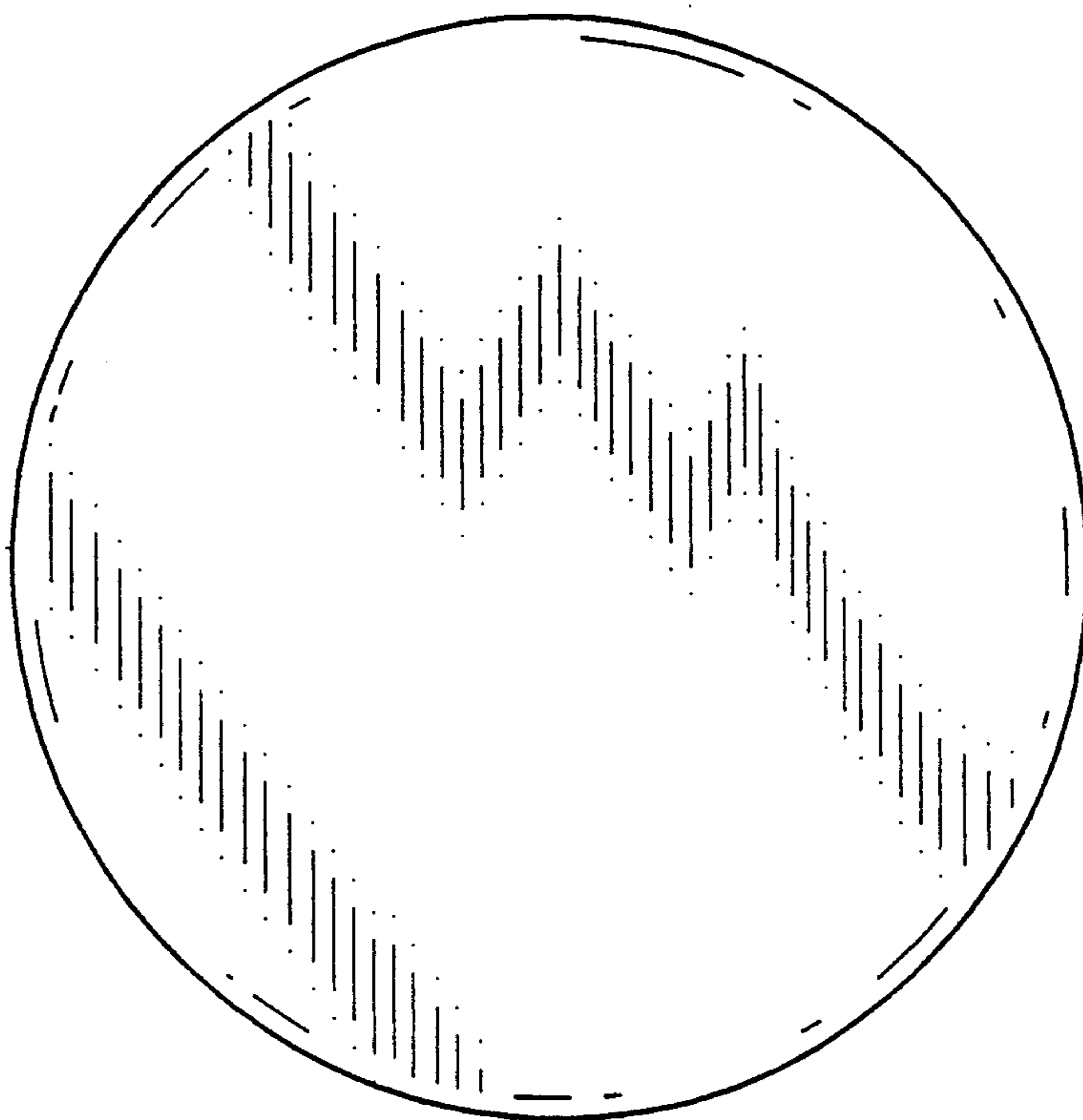


Fig. 4

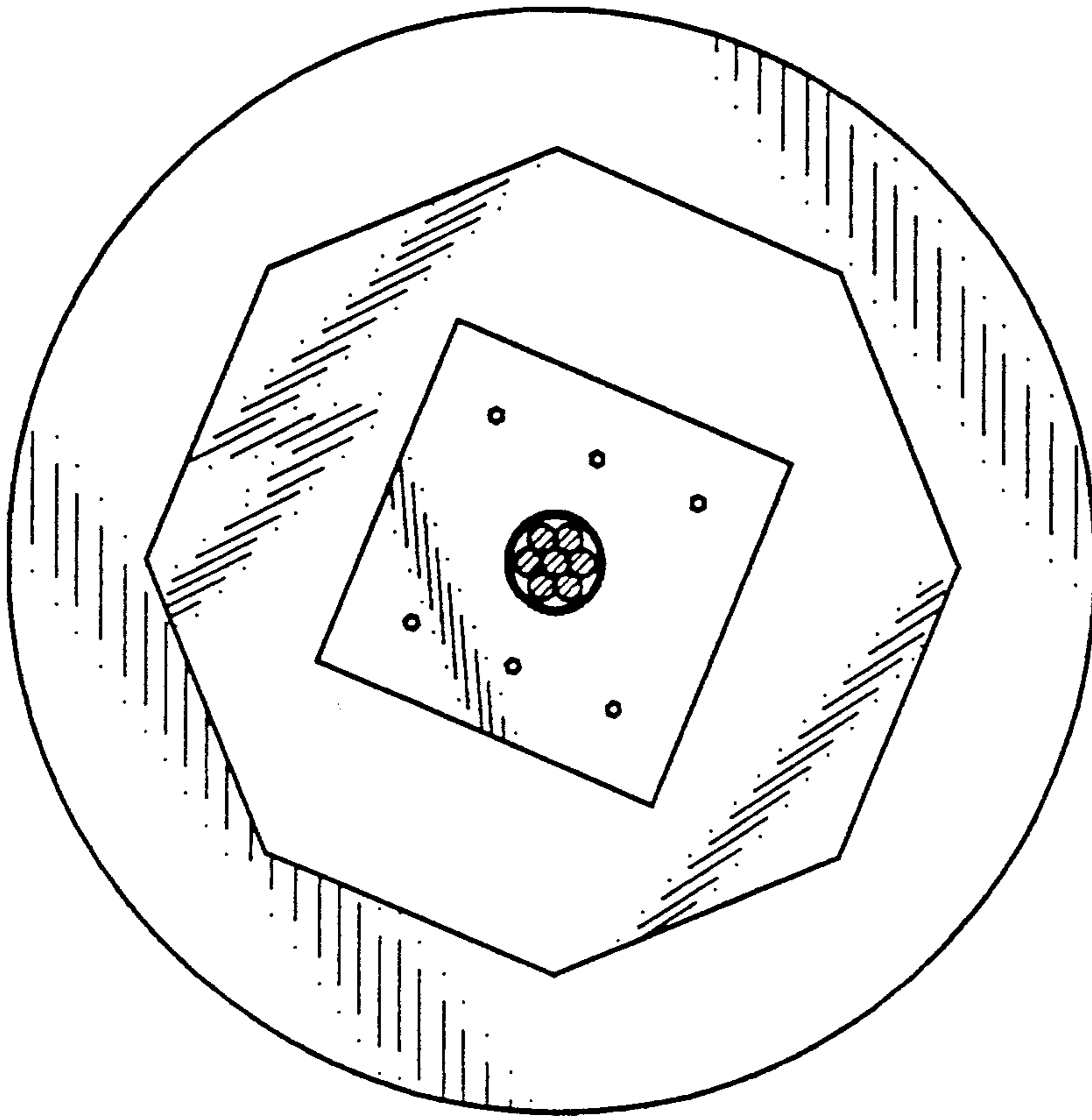


Fig. 5