



US00D343305S

United States Patent [19]

Ng et al.

[11] Patent Number: Des. 343,305

[45] Date of Patent: ** Jan. 18, 1994

[54] COMPUTER TABLE

[76] Inventors: Michael C. M. Ng; Kheng L. Tan,
both of Block 29, #01-132 Defu Lane
10, Singapore 1953, Singapore

[**] Term: 14 Years

[21] Appl. No.: 695,785

[22] Filed: May 6, 1991

[52] U.S. Cl. D6/430; D6/474;
D6/484

[58] Field of Search D6/421-431,
D6/474, 484; 312/194-196, 204; 108/59, 60; 92

[56] **References Cited**

U.S. PATENT DOCUMENTS

D. 308,922 7/1990 Ng et al. .

D. 316,723 5/1991 Ng et al. D6/426
D. 323,436 1/1992 Harrison et al. D6/431 X
4,568,212 2/1986 Cooke et al. D6/422 X

Primary Examiner—Carmen H. Vales-Lado
Attorney, Agent, or Firm—Finnegan, Henderson,
Farabow, Garrett & Dunner

[57] **CLAIM**

The ornamental design for a computer table, as shown and described.

DESCRIPTION

FIG. 1 is a perspective view of a computer table showing our new design;
FIG. 2 is rear elevational view thereof;
FIG. 3 is a top plan view thereof;
FIG. 4 is a front elevational view thereof;
FIG. 5 is a left side elevational view thereof; and,
FIG. 6 is a right side elevational view thereof.

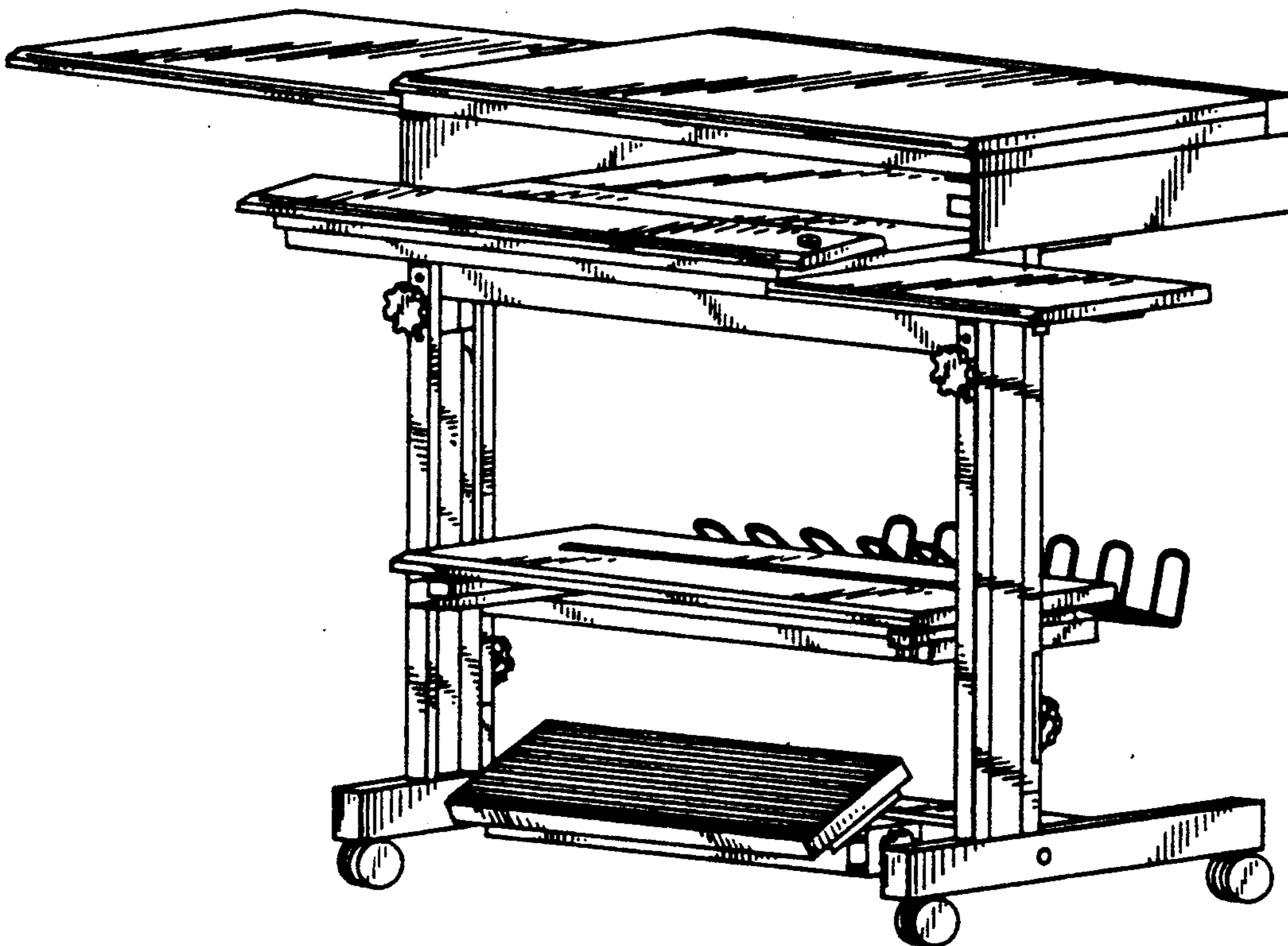


FIG. 1

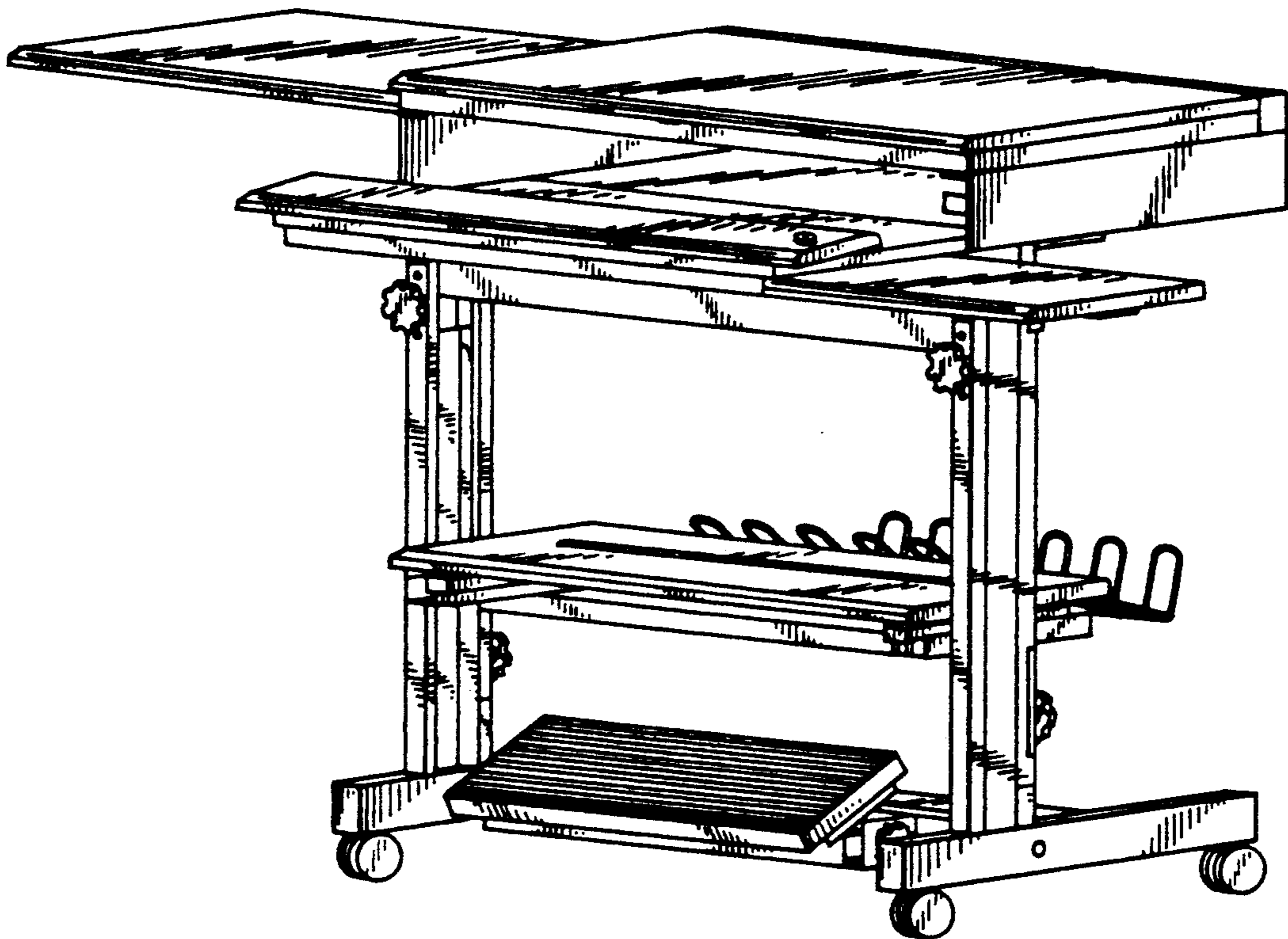


FIG. 2

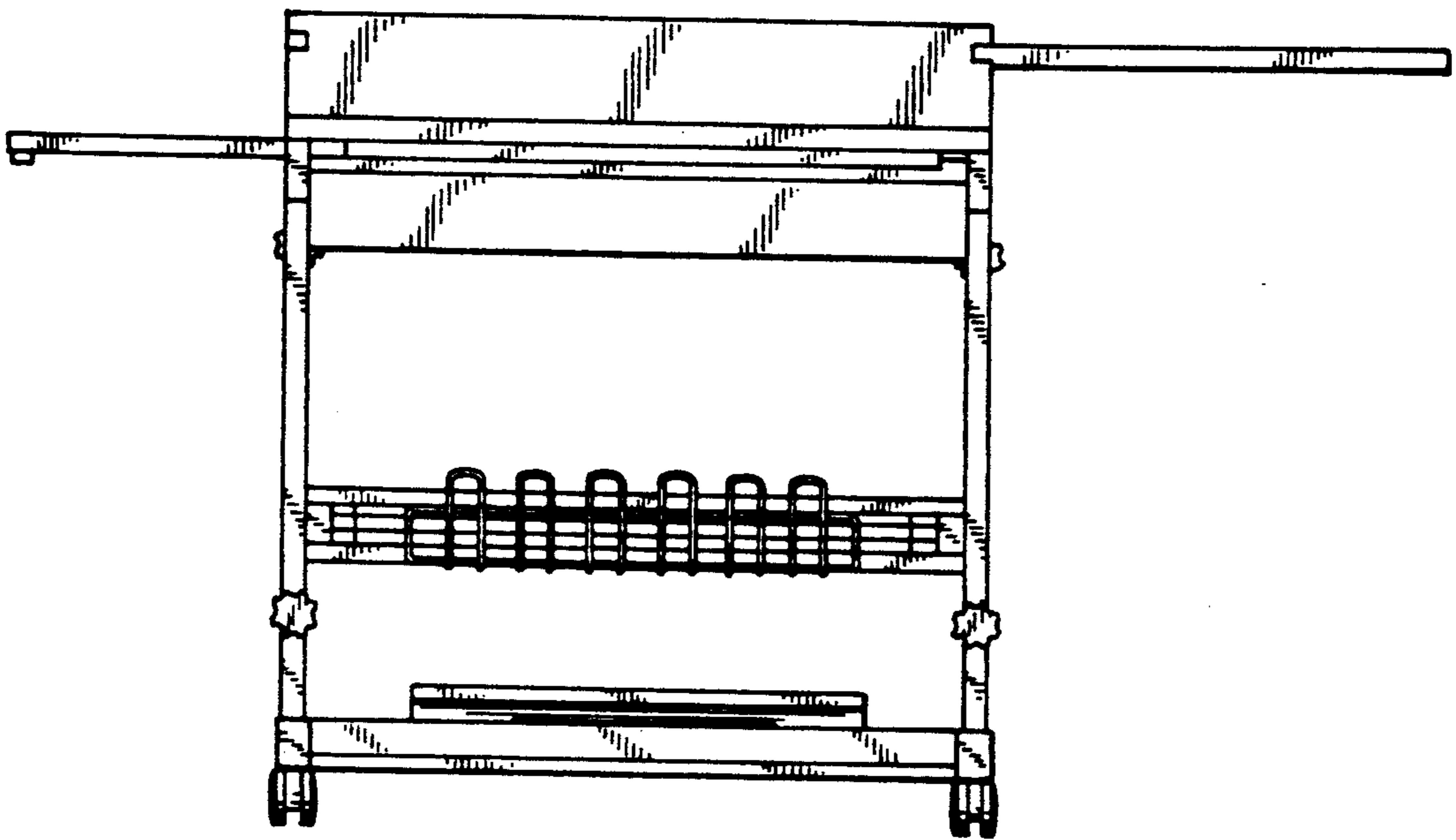


FIG. 3

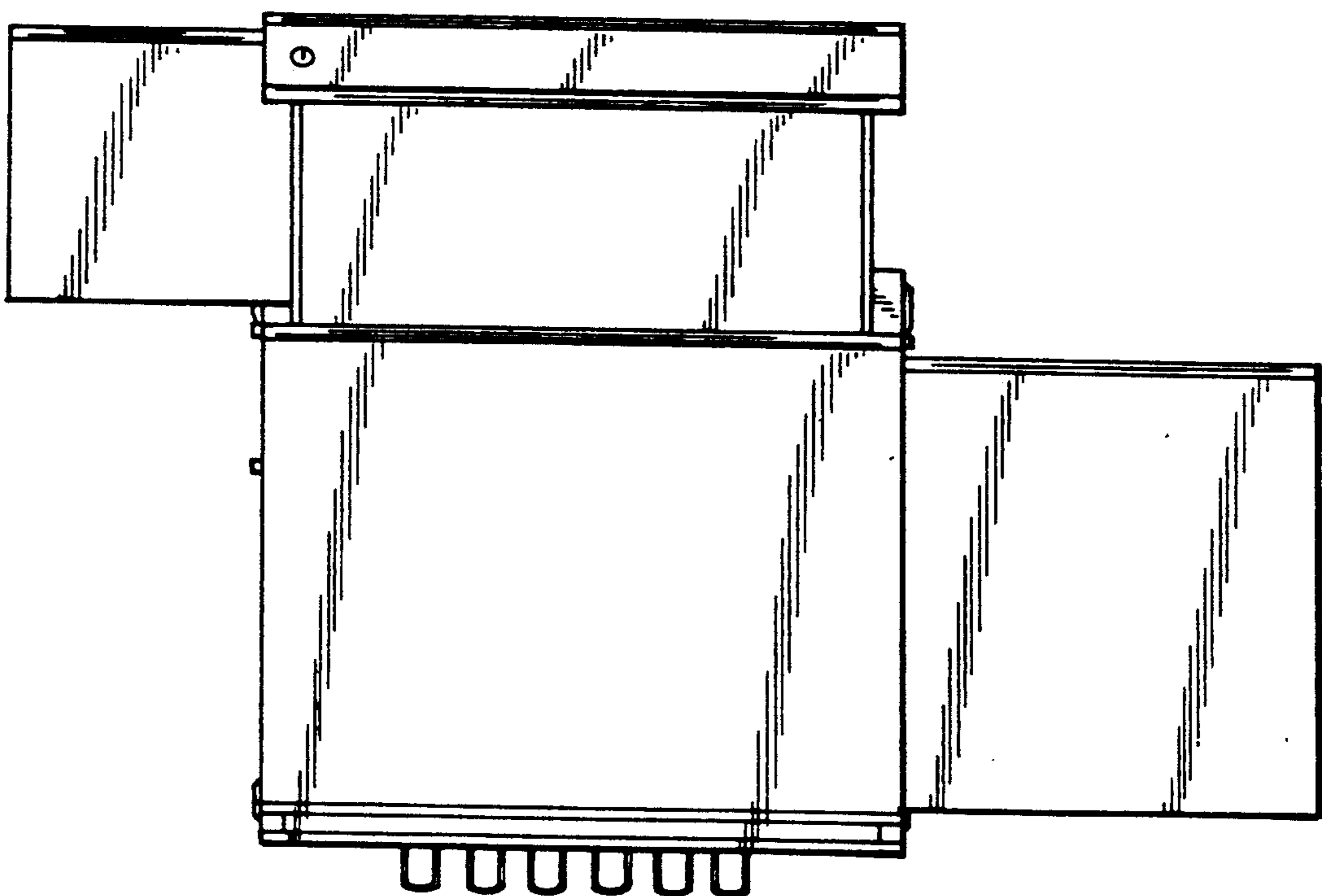


FIG. 4

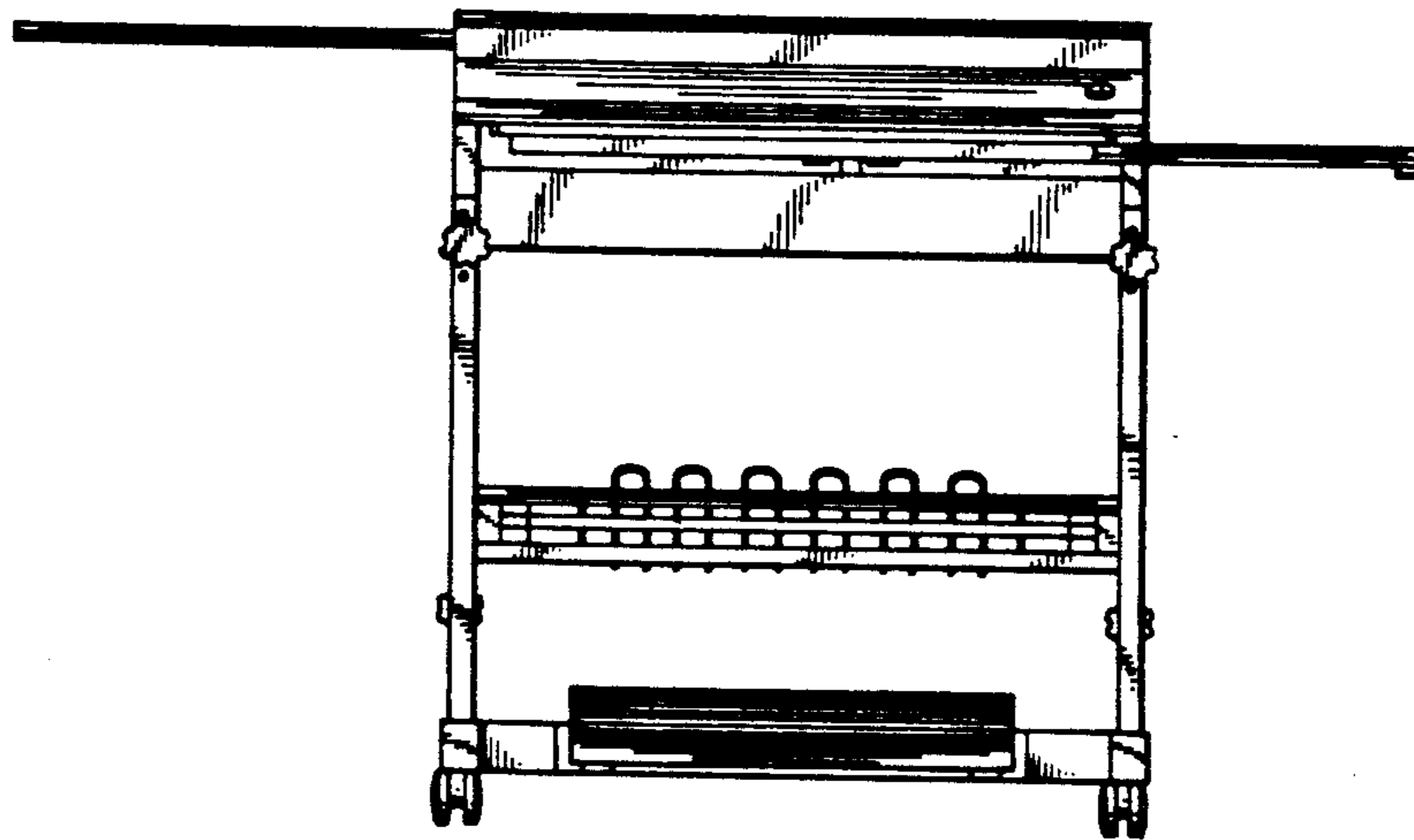


FIG. 5

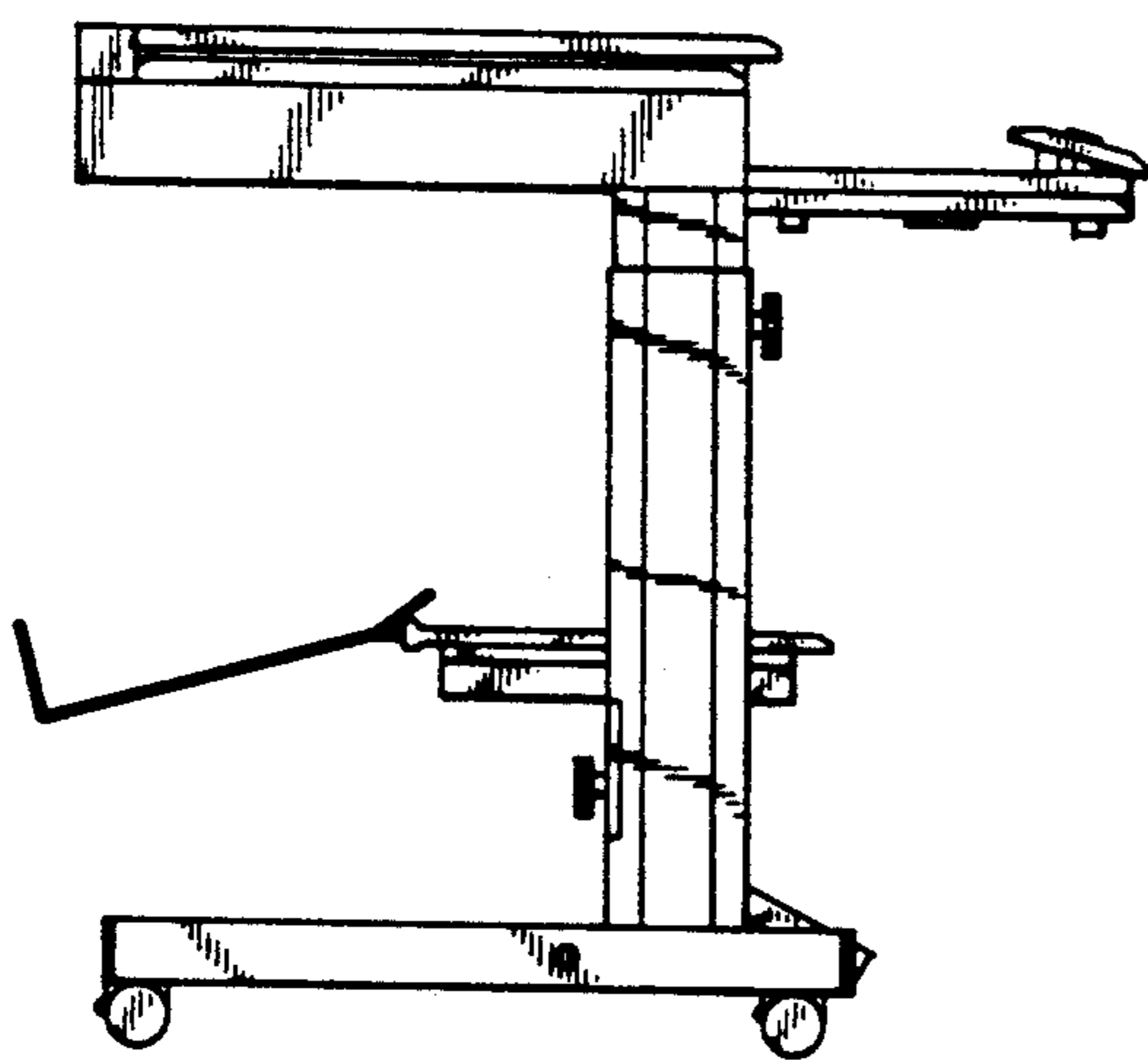


FIG. 6

