



US00D343292S

United States Patent [19]

[11] Patent Number: **Des. 343,292**

Copeland

[45] Date of Patent: **** Jan. 18, 1994**

[54] **COMBINATION BICYCLE AND WAIST PACK**

Primary Examiner—A. Hugo Word
Assistant Examiner—Doris V. Coles
Attorney, Agent, or Firm—Francis A. SIRR; Earl C. Hancock

[75] Inventor: **Kyle D. Copeland, Moab, Utah**

[73] Assignee: **FNF, Inc., Boulder, Colo.**

[**] Term: **14 Years**

[57] **CLAIM**

The ornamental design of a combination bicycle and waist pack, as shown and described.

[21] Appl. No.: **825,716**

DESCRIPTION

[22] Filed: **Jan. 22, 1992**

[52] U.S. Cl. **D3/106; D12/158**

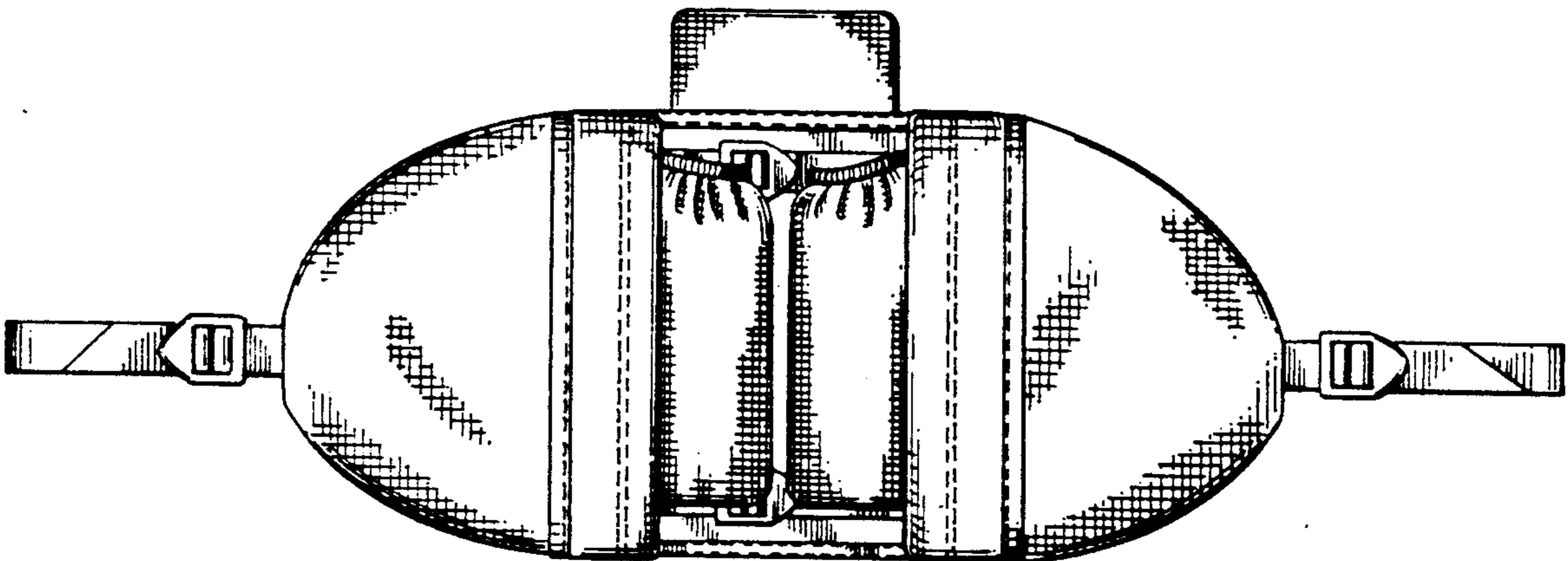
[58] Field of Search **D3/100, 104, 106, 32; D2/630; 224/227, 224, 250, 238, 159, 208, 259, 215, 151, 36, 30 R, 30 A, 32 A; D12/158**

FIG. 1 is a front elevational view of a combination bicycle and waist pack showing my new design, the bicycle attachment straps being in an extended position; FIG. 2 is a rear elevational view thereof, the waist-encircling strap in its stored position; FIG. 3 is a top plan view thereof; FIG. 4 is a right side elevational view, the left side being a mirror image thereof; FIG. 5 is a bottom plan view thereof; FIG. 6 is a perspective view formed for attachment to a rear wheel bicycle rack; and, FIG. 7 is a front elevational view with both bicycle and waist-encircling straps in their extended position.

[56] **References Cited**

U.S. PATENT DOCUMENTS

4,460,114	7/1984	Grenier	224/32 A X
4,869,408	9/1989	Lutz	224/151 X
5,150,824	9/1992	Alvarez et al.	D3/106 X
5,195,666	3/1993	Yamaguchi et al.	D3/106 X



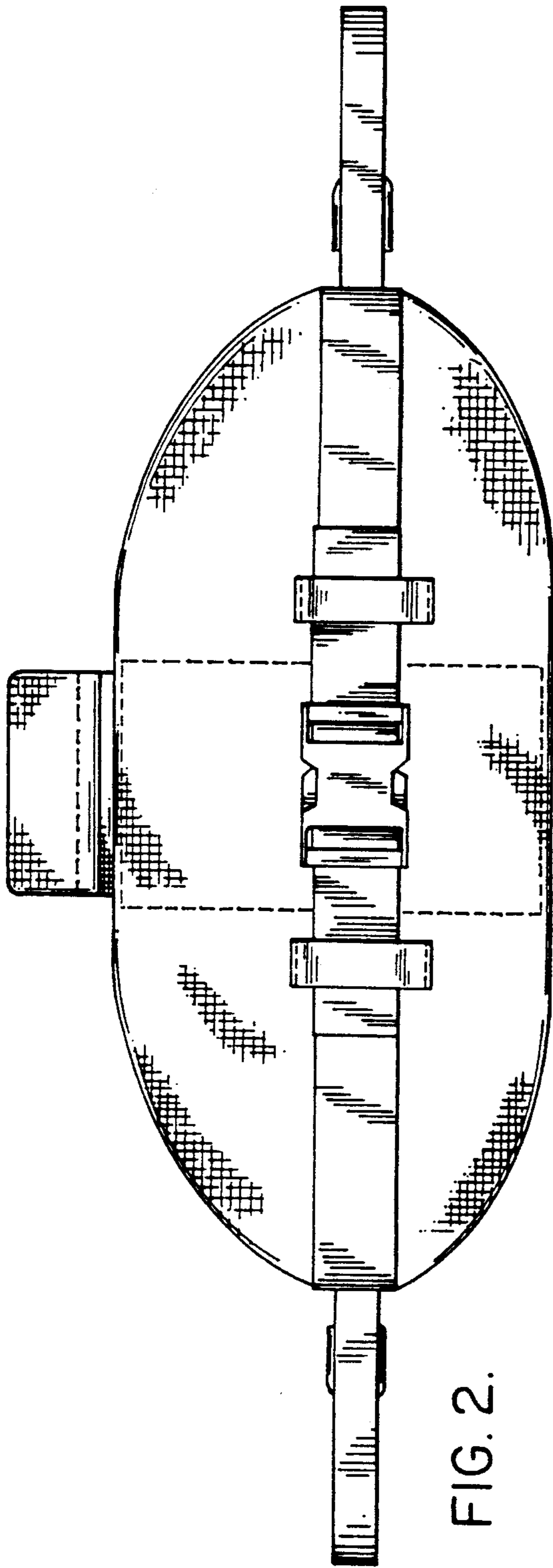


FIG. 2.

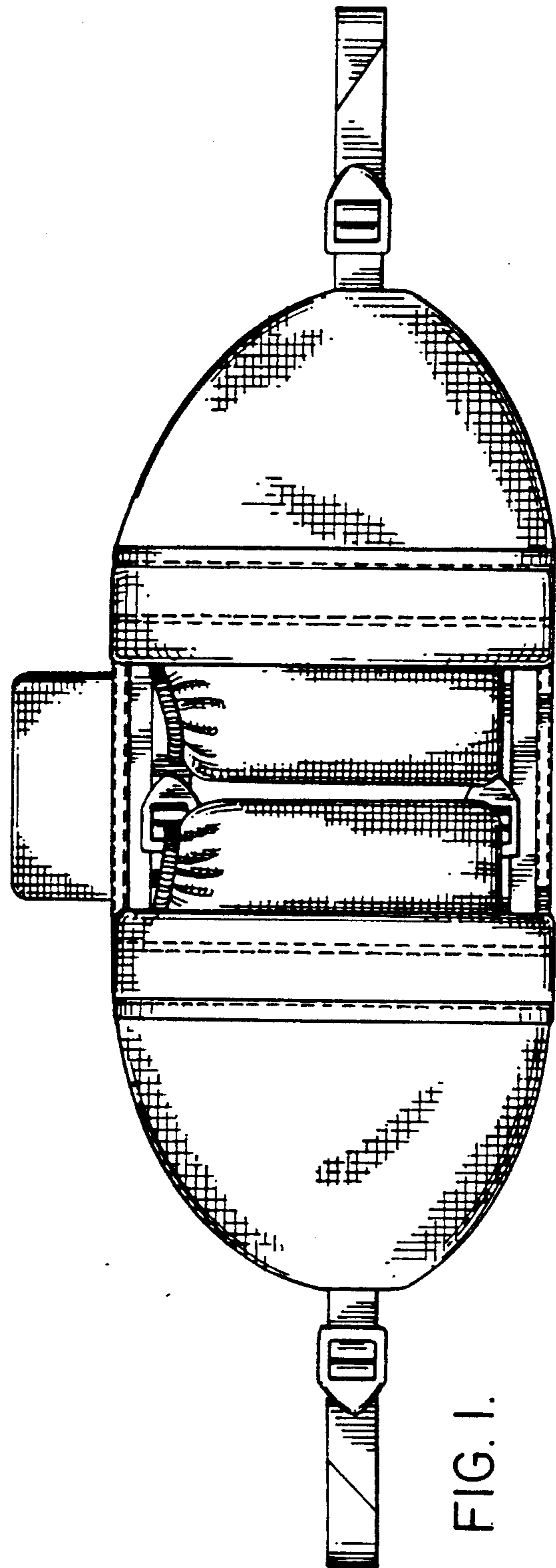


FIG. 1.

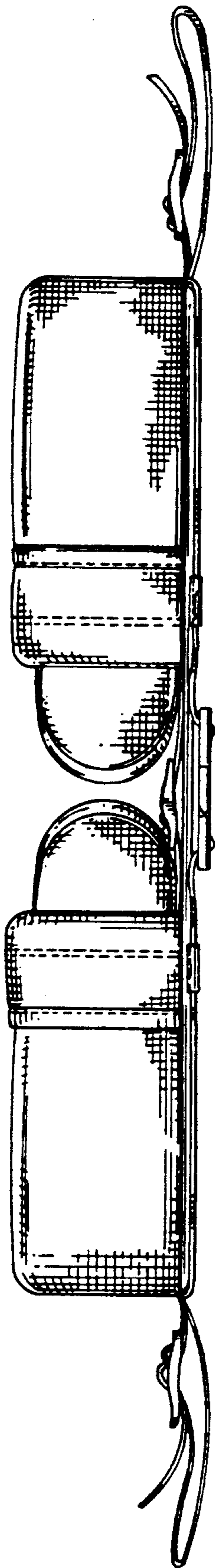


FIG. 5.

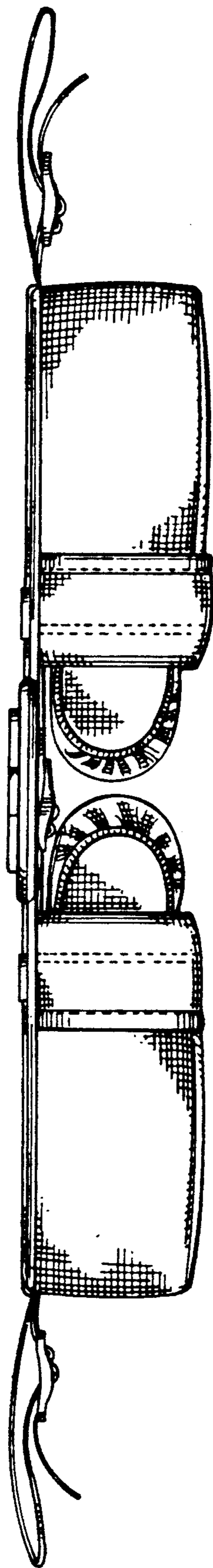


FIG. 3.

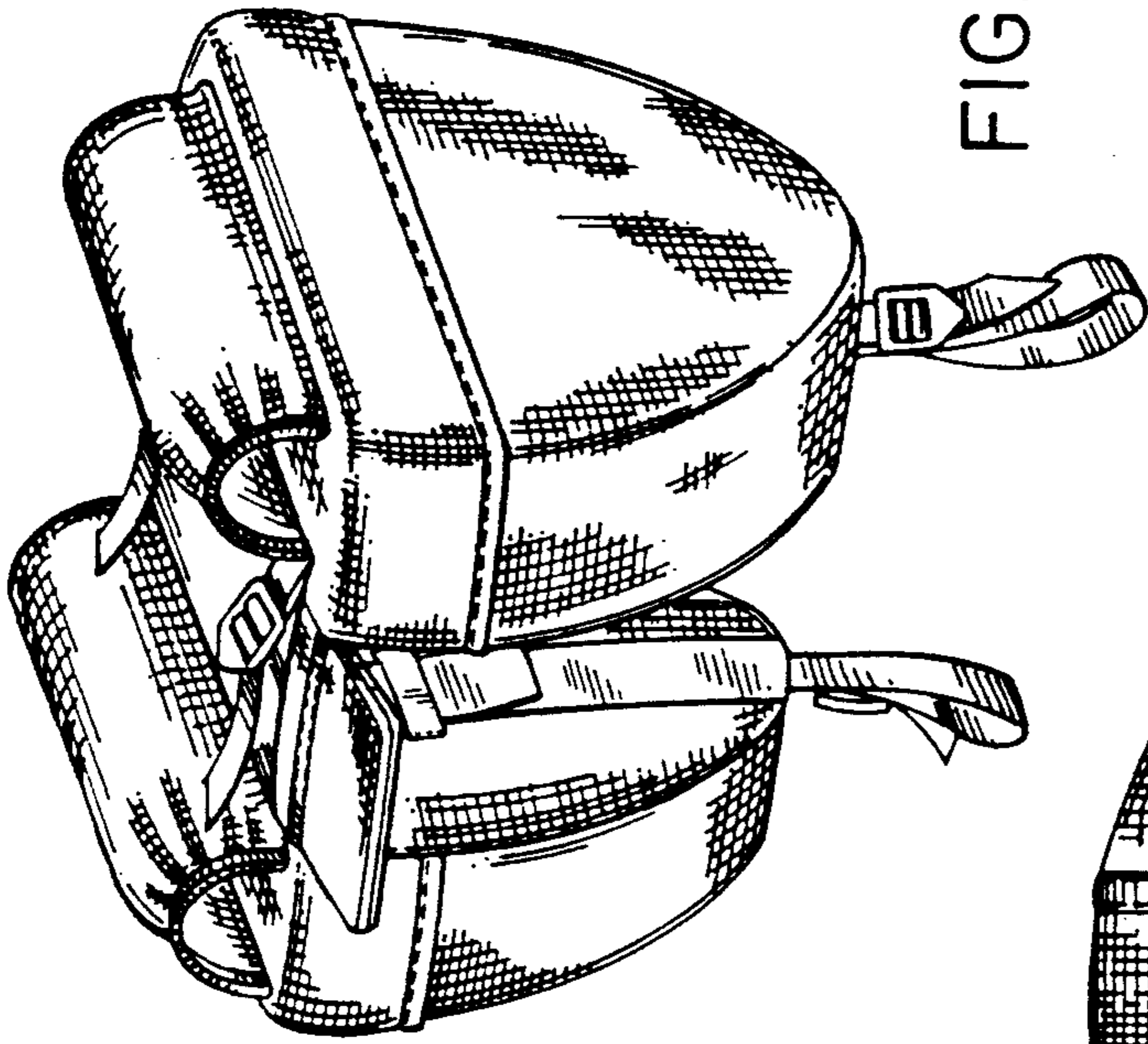


FIG. 6.

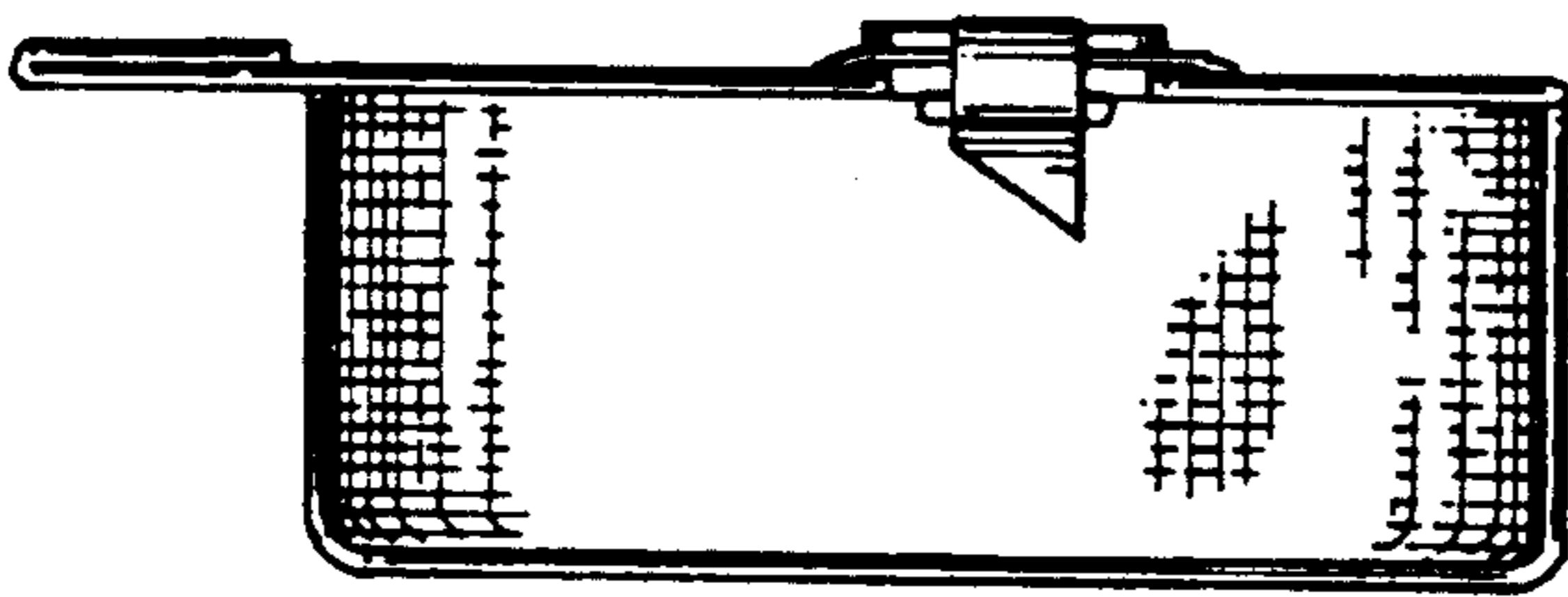


FIG. 4.

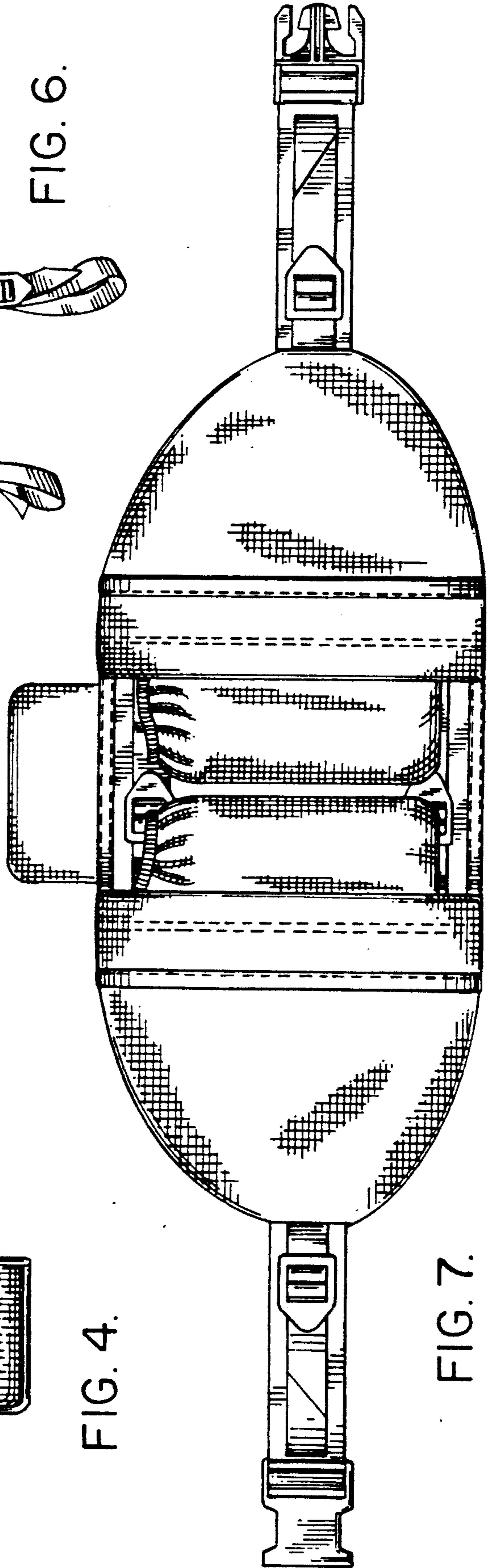


FIG. 7.