



US00D343285S

# United States Patent [19]

Ancona et al.

[11] Patent Number: Des. 343,285

[45] Date of Patent: \*\* Jan. 18, 1994

- [54] ORGANIZER FOR NAIL CARE SUPPLIES
- [75] Inventors: Bruce Ancona; Jane Ancona, both of New York, N.Y.
- [73] Assignee: M. Kamenstein, Inc., White Plains, N.Y.
- [\*\*] Term: 14 Years
- [21] Appl. No.: 729,092
- [22] Filed: Jul. 16, 1991
- [52] U.S. Cl. .... D3/39; D28/61
- [58] Field of Search ..... D3/30.1, 39, 72, 74, D3/75; 206/581, 823; D6/440, 467-469, 475-476, 510; D28/9, 61, 73; D19/75-78; D34/40-46

- D. 103,112 2/1937 Lewis ..... D3/39
- D. 109,208 4/1938 Conradsen ..... D28/61
- D. 270,671 9/1983 Yamamoto ..... D28/38
- D. 288,012 1/1987 Sussman ..... D28/73 X
- D. 306,918 3/1990 Stillwagon ..... D28/73

Primary Examiner—Bernard Ansher  
 Assistant Examiner—C. Tuttle  
 Attorney, Agent, or Firm—James A. Drobile; Robert A. Koons, Jr.; Robert E. Rosenthal

### [57] CLAIM

The ornamental design for an organizer for nail care supplies, as shown.

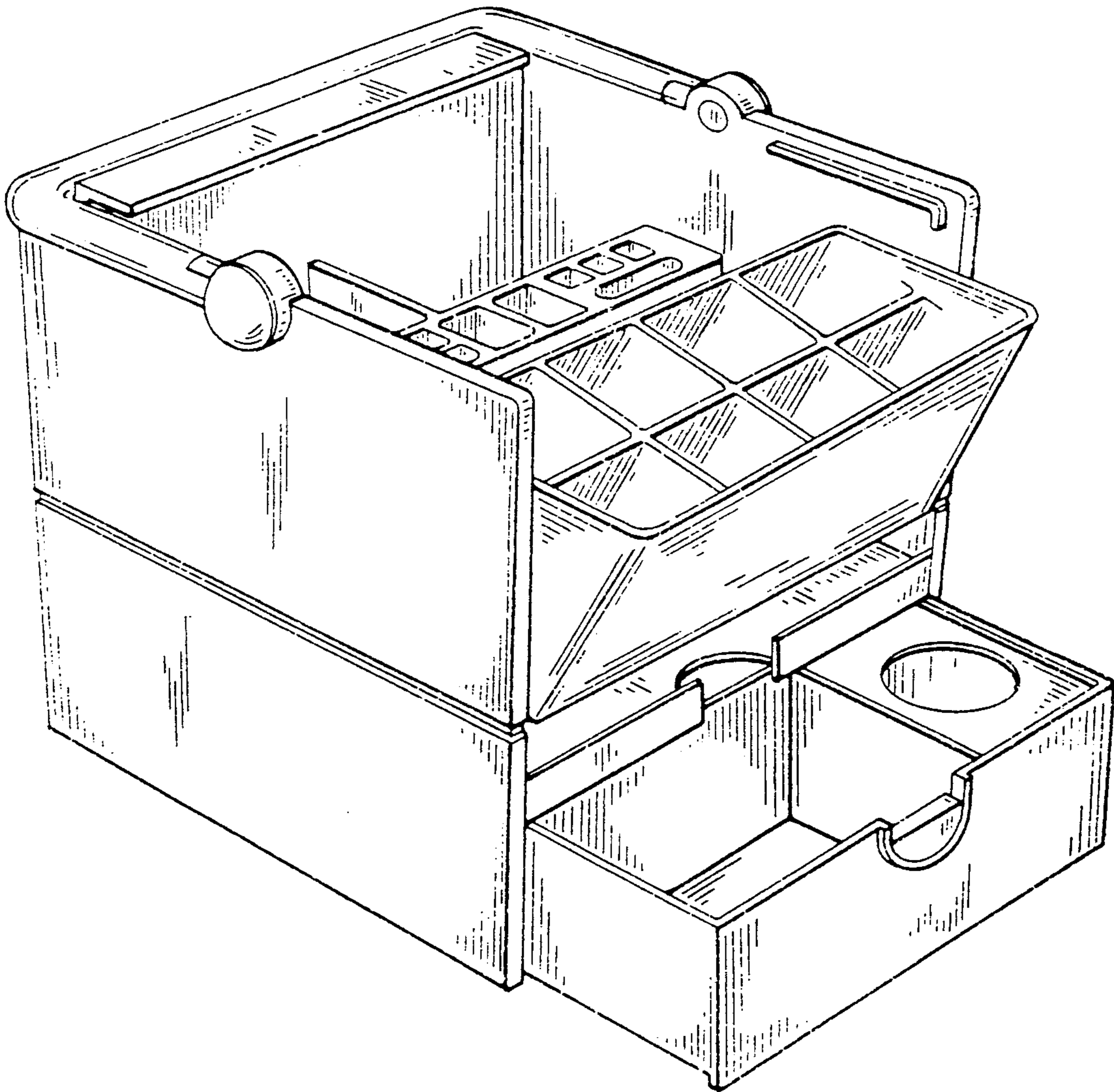
### DESCRIPTION

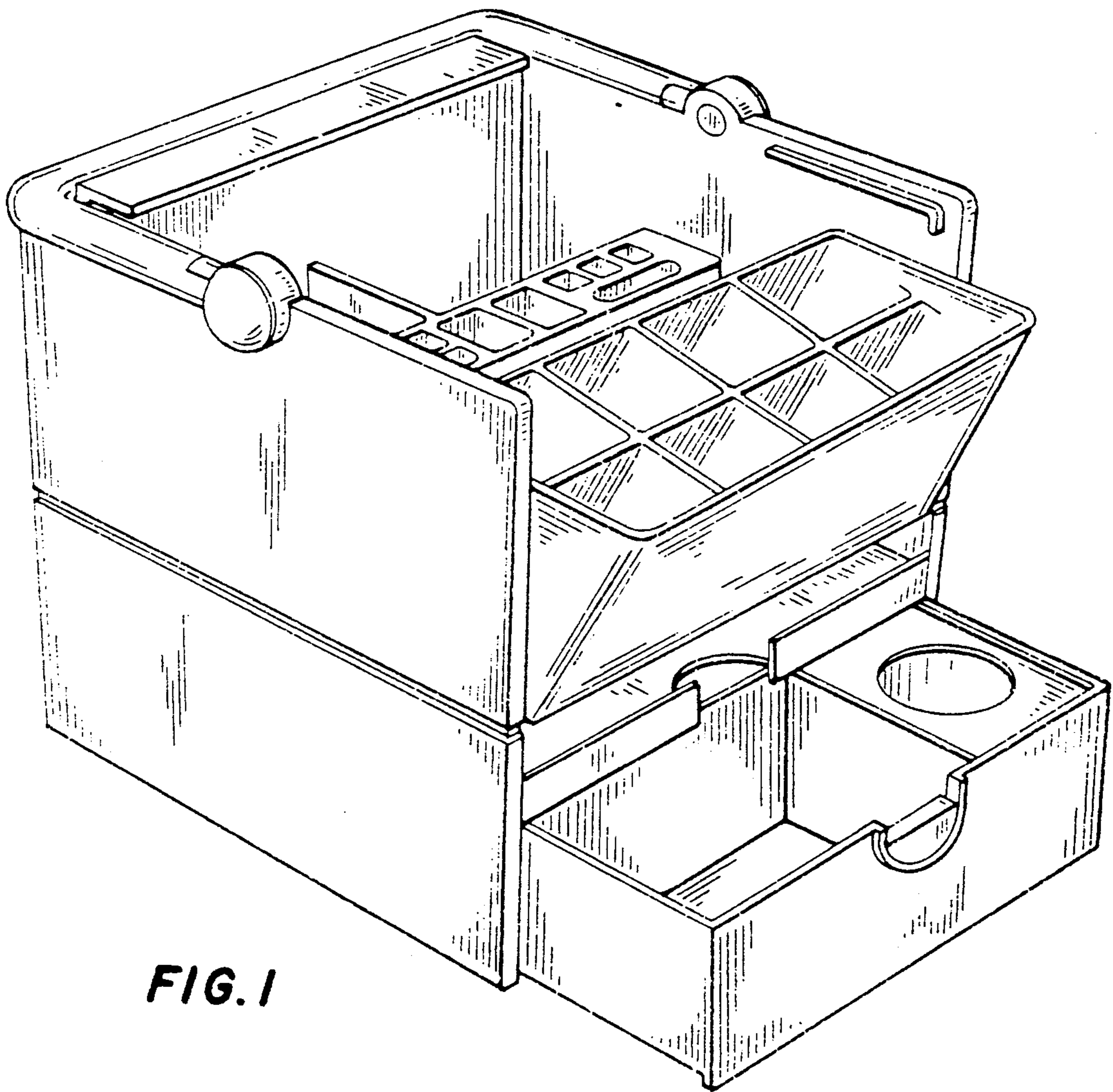
FIG. 1 is a perspective view of an organizer for nail care supplies showing my new design; FIG. 2 is a front elevational view thereof; FIG. 3 is a rear elevational view thereof; FIG. 4 is a top plan view thereof; FIG. 5 is a bottom plan view thereof; and, FIG. 6 is a right side elevational view thereof;

### [56] References Cited

#### U.S. PATENT DOCUMENTS

- D. 50,237 1/1917 Chianco ..... D28/73
- D. 98,454 2/1936 Conradsen ..... D28/61





**FIG. 1**

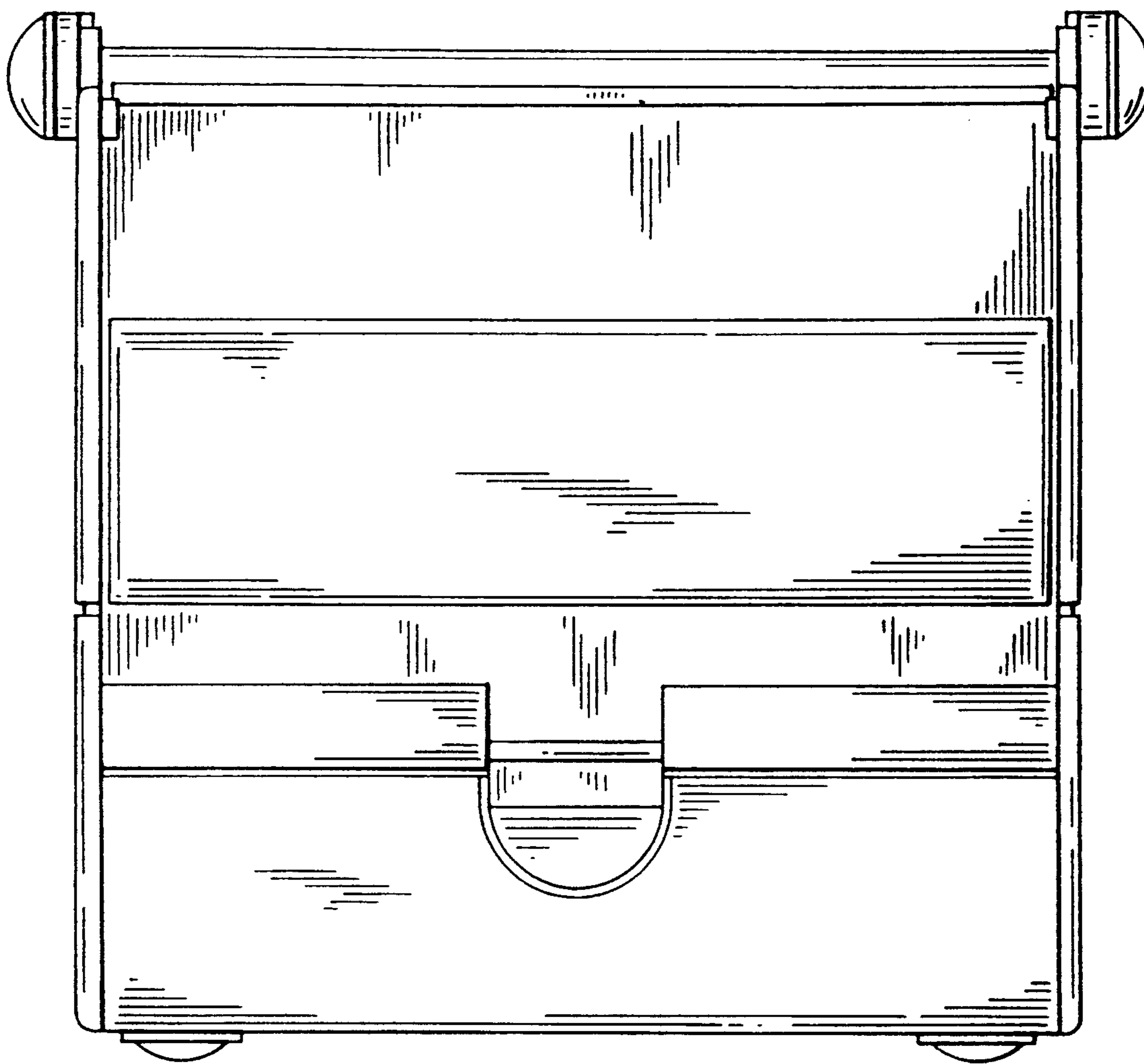
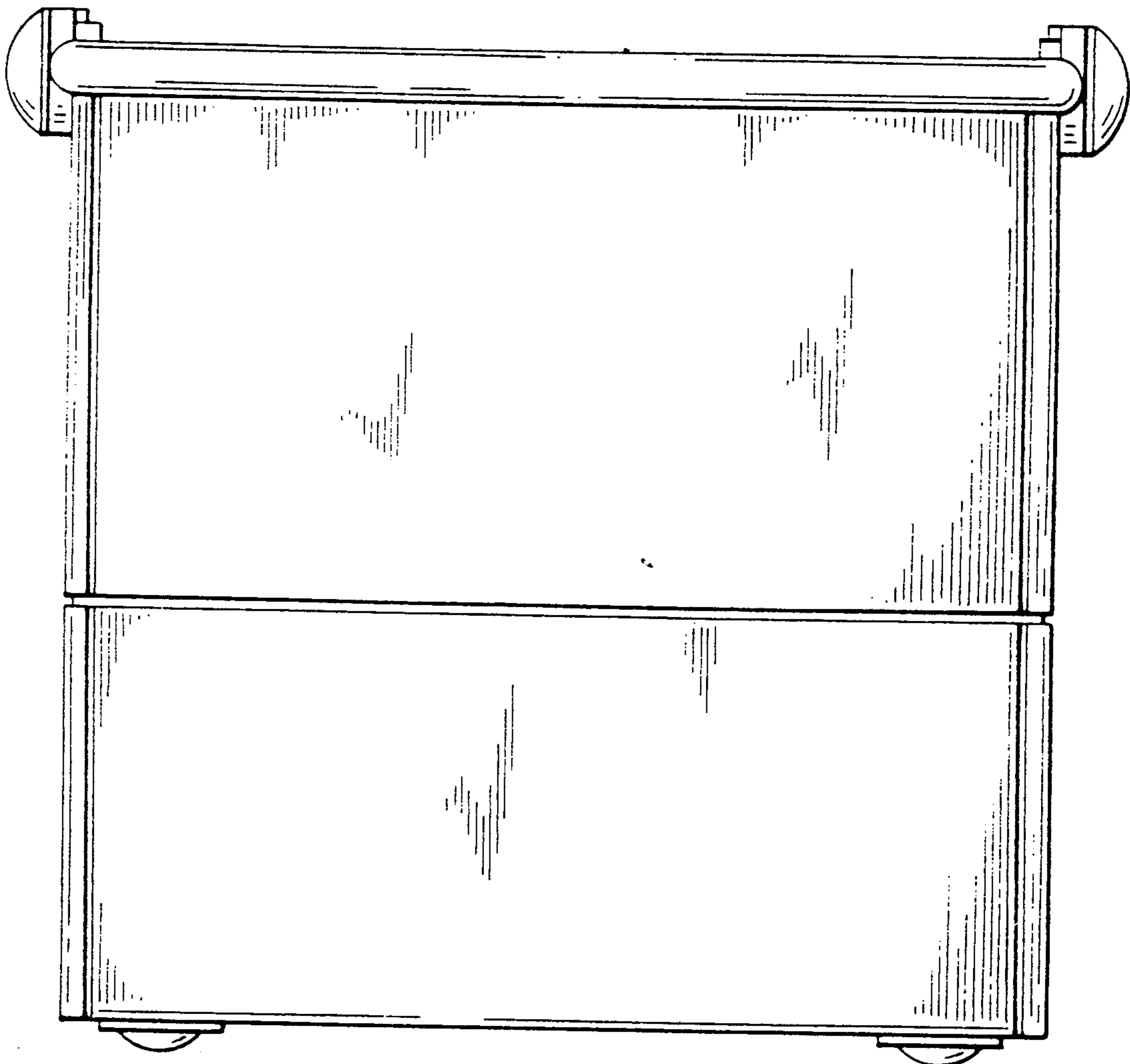
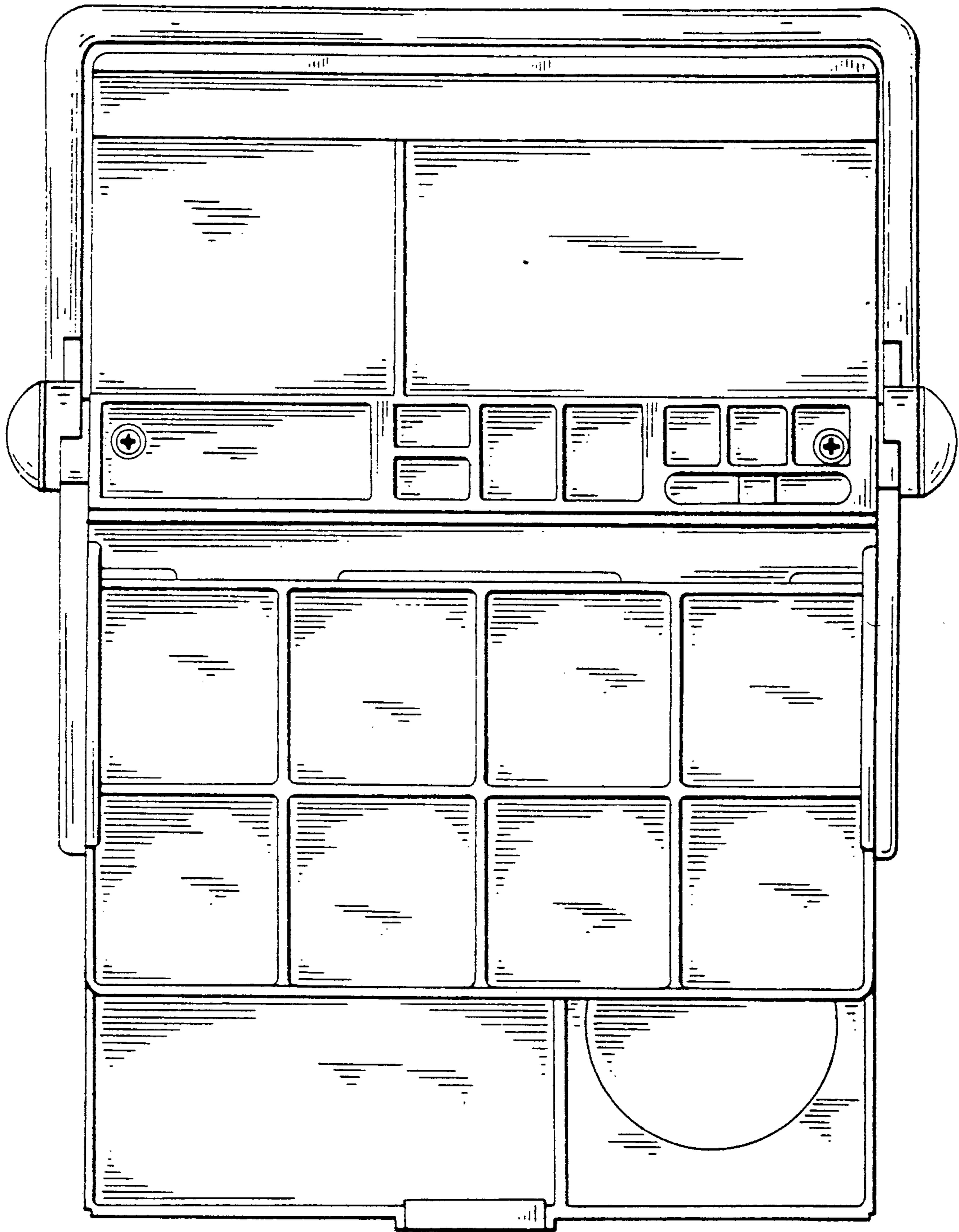


FIG. 2

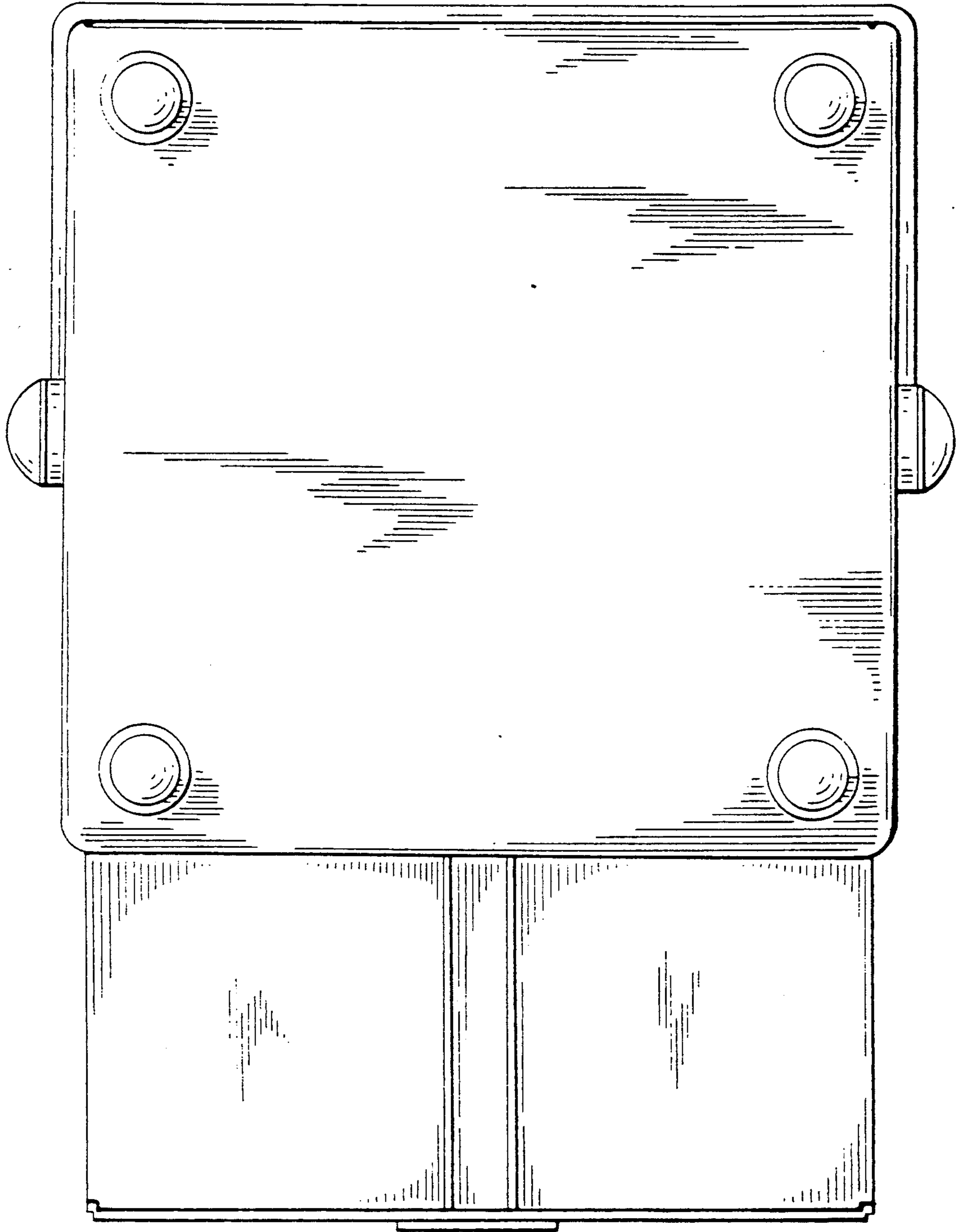
**FIG. 3**



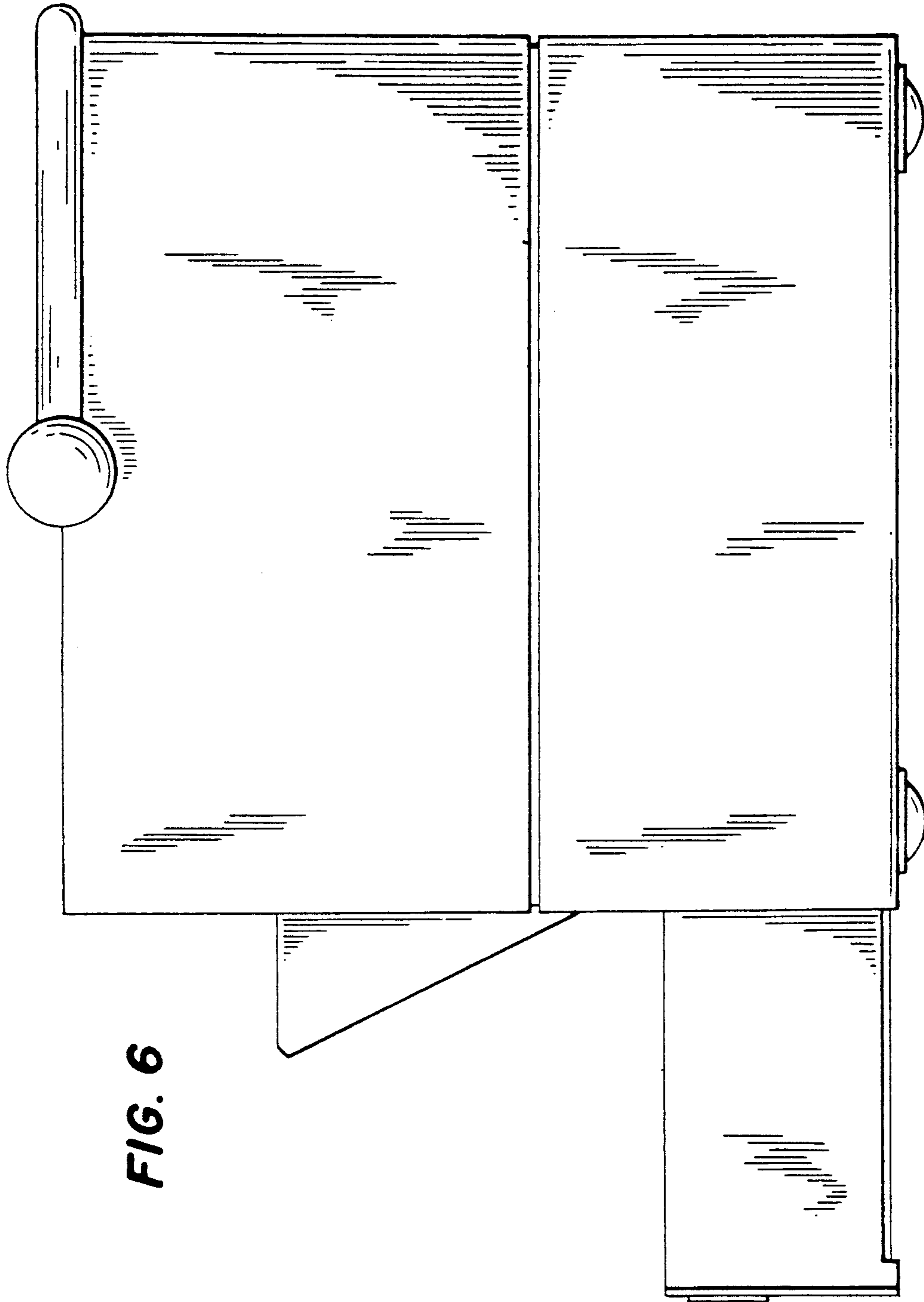




**FIG. 4**



**FIG. 5**



**FIG. 6**