



US00D343269S

# United States Patent [19]

Kirkham

[11] Patent Number: Des. 343,269

[45] Date of Patent: \*\* Jan. 18, 1994

- [54] EDIBLE ANIMAL FOOD DISH
- [76] Inventor: **Larry Kirkham**, 3074 Quitter Rd.,  
Williamsburg, Ohio 45176
- [\*\*] Term: **14 Years**
- [21] Appl. No.: **845,484**
- [22] Filed: **Mar. 6, 1992**
- [52] U.S. Cl. .... **D1/199; D7/550;**  
**D30/129; D1/122**
- [58] Field of Search ..... **D1/126, 127, 128, 199,**  
**D1/122; 426/512, 272; D7/550, 551, 555, 552,**  
**553; D24/101; D30/129, 121, 123, 130, 132**

2,813,033	11/1957	Schneider	426/272	X
4,919,946	4/1990	Pak	426/133	
4,957,754	9/1990	Munk	426/133	
5,002,783	3/1991	Ruiz	426/133	
5,009,896	4/1991	Becker	D1/121	X

*Primary Examiner*—Wallace R. Burke  
*Assistant Examiner*—P. Burgess  
*Attorney, Agent, or Firm*—Terry M. Gernstein

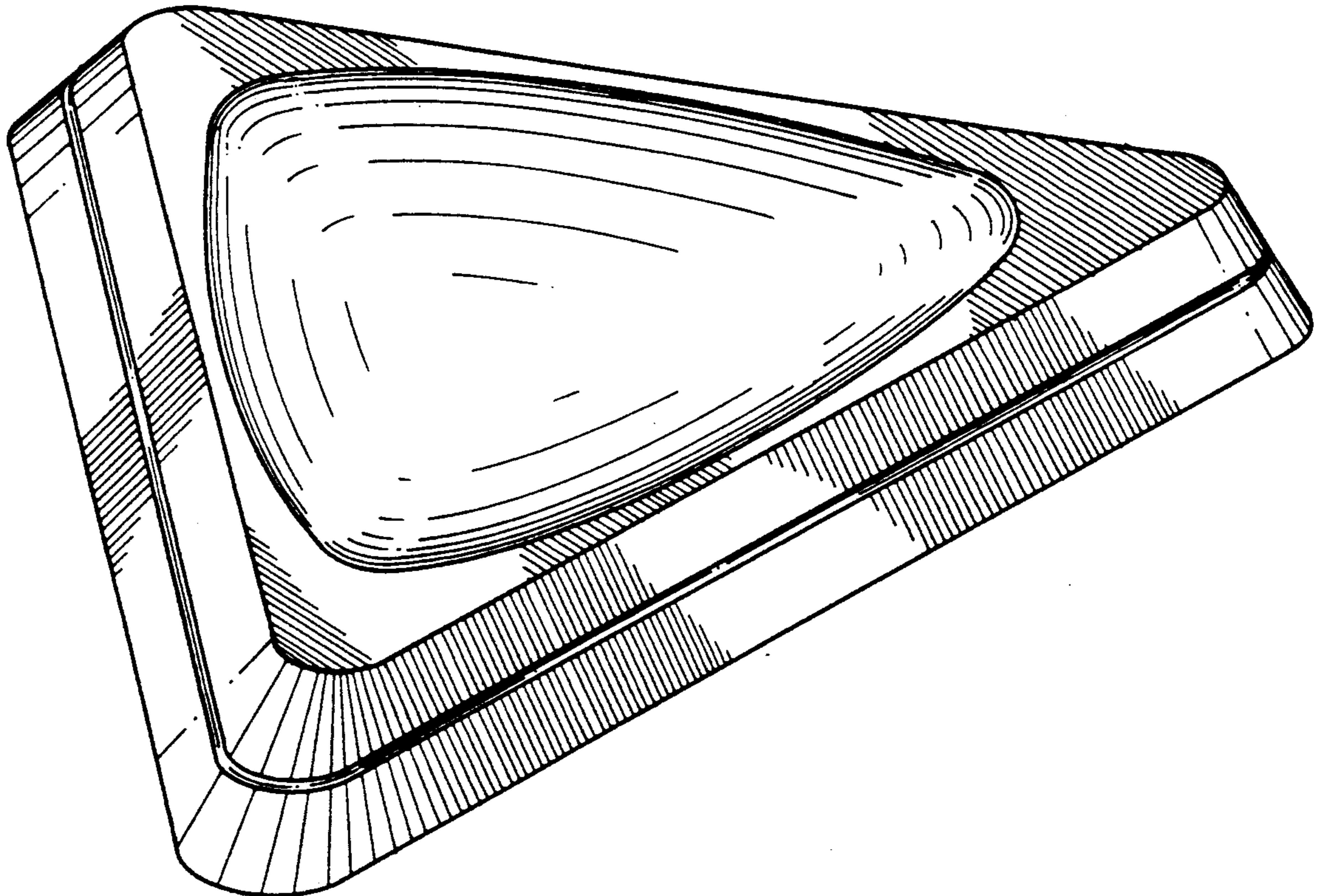
[57] **CLAIM**

The ornamental design for an edible animal food dish, as shown and described.

**DESCRIPTION**

FIG. 1 is a perspective view of the edible animal food dish embodying the design of the present invention; FIG. 2 is a front elevational view thereof, the rear being a mirror image of the front shown in FIG. 2; FIG. 3 is a side elevational view thereof; FIG. 4 is a side elevational view thereof; FIG. 5 is a top plan view thereof; and, FIG. 6 is a bottom view thereof.

- [56] **References Cited**
- U.S. PATENT DOCUMENTS**
- D. 17,032 12/1886 Skilton ..... D7/552
- D. 47,083 3/1915 Swaab, Jr. .... D1/127
- D. 99,590 5/1936 Torongo ..... D1/100
- D. 269,719 7/1983 Tovey ..... D1/127 X
- D. 314,454 2/1991 Ahuna ..... D30/129
- D. 335,940 5/1993 McGrath et al. .... D7/553 X



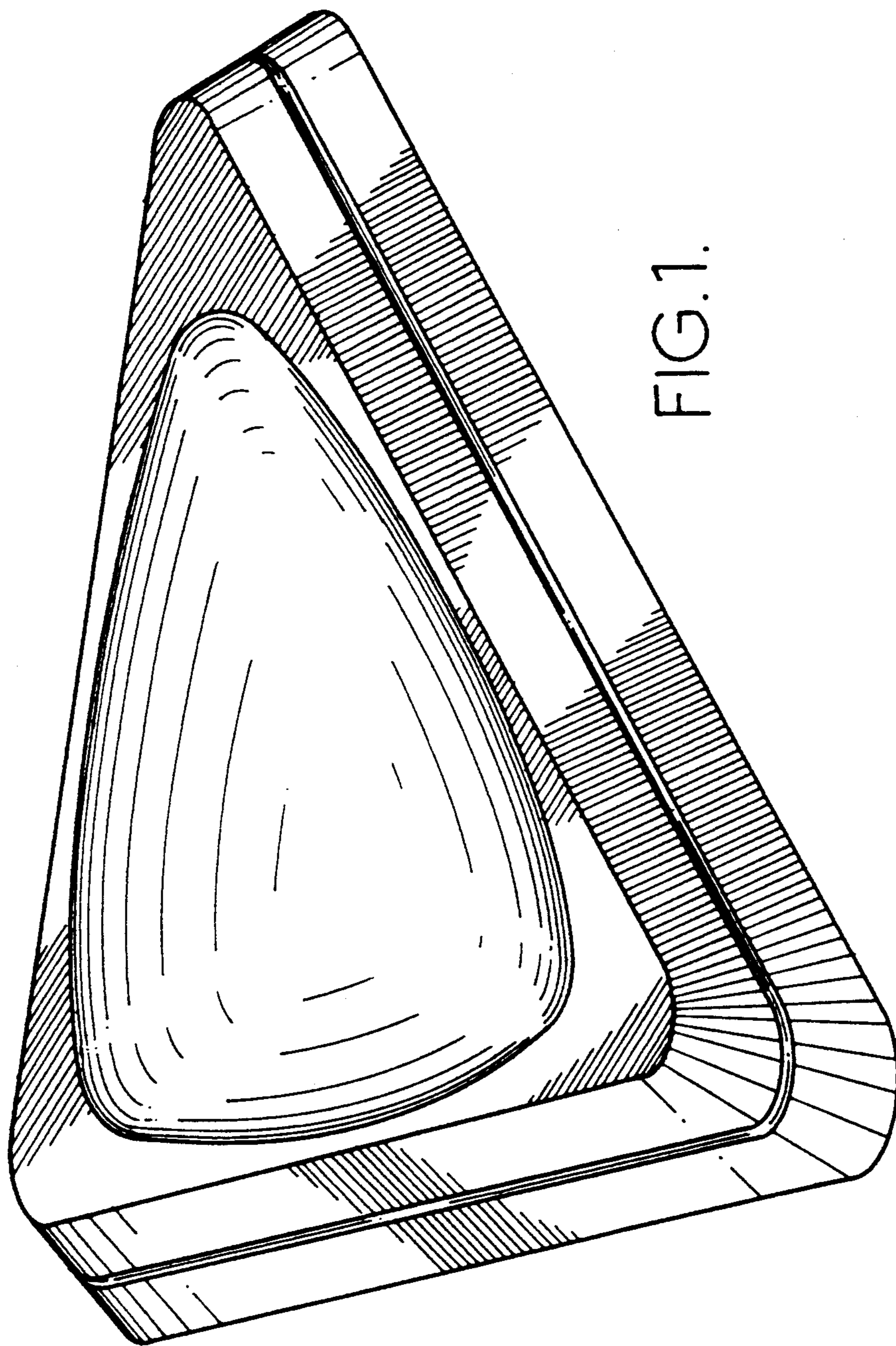


FIG.1.

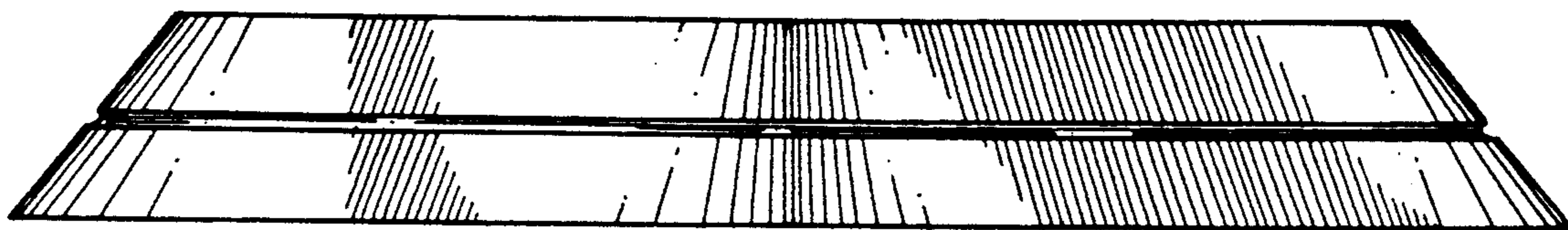


FIG. 2

FIG. 3.

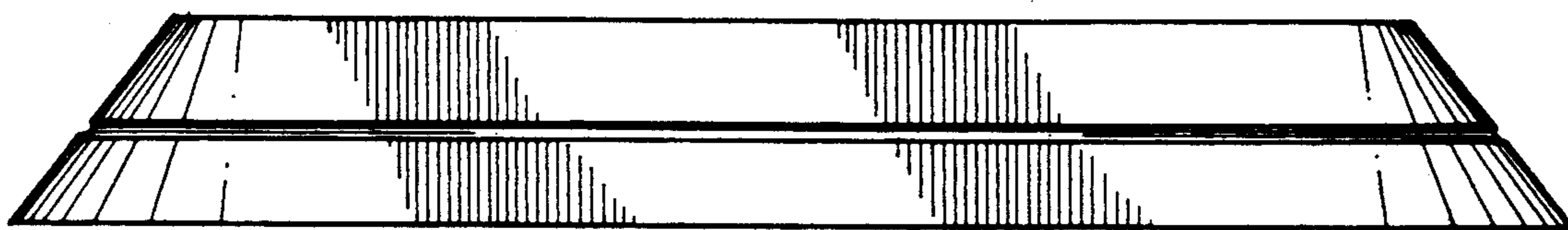




FIG. 4.

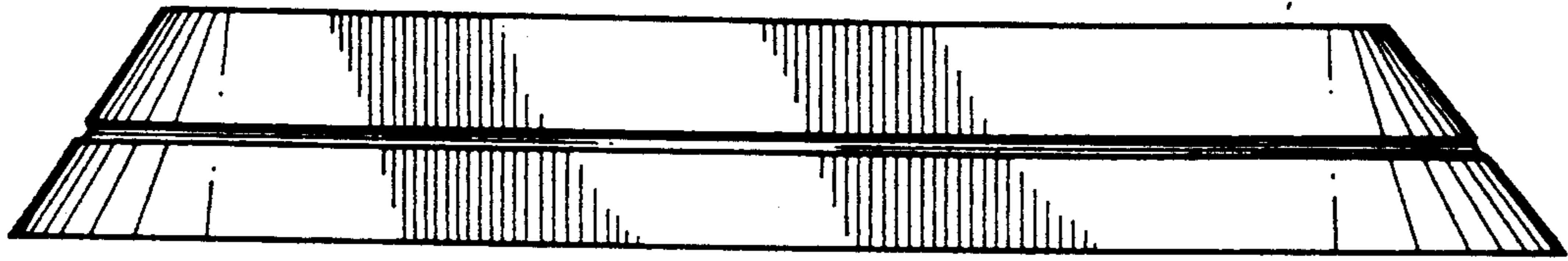


FIG. 5.

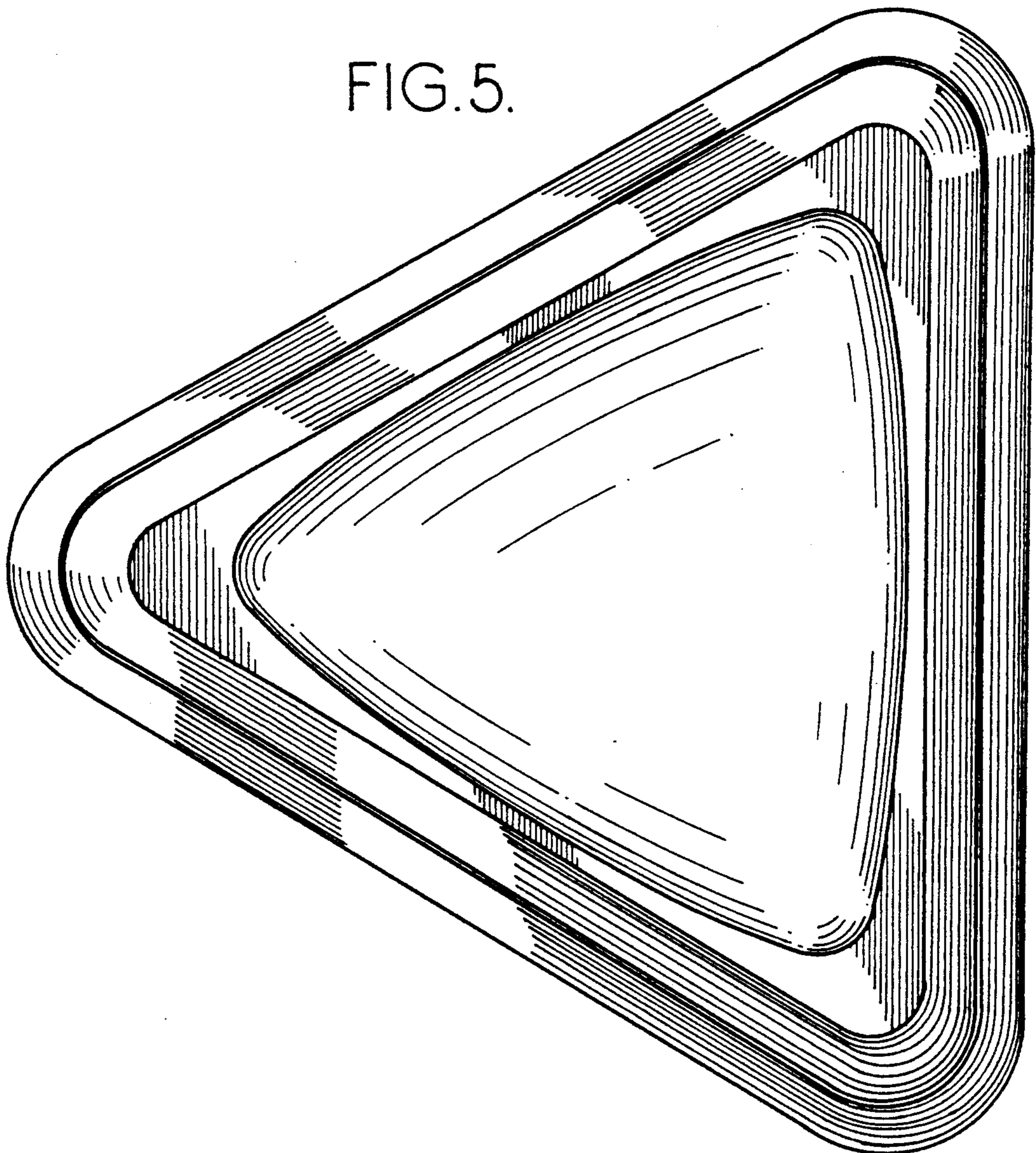


FIG. 6.

