



US00D343265S

# United States Patent [19]

[11] Patent Number: **Des. 343,265**

Pollak et al.

[45] Date of Patent: **\*\* Jan. 11, 1994**

[54] SQUEEGEE

[75] Inventors: **Louis M. Pollak, Bridgewater, N.J.;  
Michael W. K. Young, Flushing, N.Y.**

[73] Assignee: **Detailed Designs, Inc., Plainfield,  
N.J.**

[\*\*] Term: **14 Years**

[21] Appl. No.: **676,735**

[22] Filed: **Mar. 28, 1991**

[52] U.S. Cl. .... **D32/41; D32/49**

[58] Field of Search ..... **15/236.01, 236.02, 245,  
15/245.1; 30/169, 171; D32/40-41; D32/46, 49**

[56] **References Cited**

**U.S. PATENT DOCUMENTS**

- D. 219,303 11/1970 Golden ..... D32/49
- D. 243,060 1/1977 Graham et al. .... D32/49
- D. 271,628 11/1983 Bauer ..... D32/49

- D. 291,839 9/1987 Phillips ..... D32/49
- D. 292,949 12/1987 Vetter ..... D32/41 X
- 3,406,420 10/1968 Siemund .

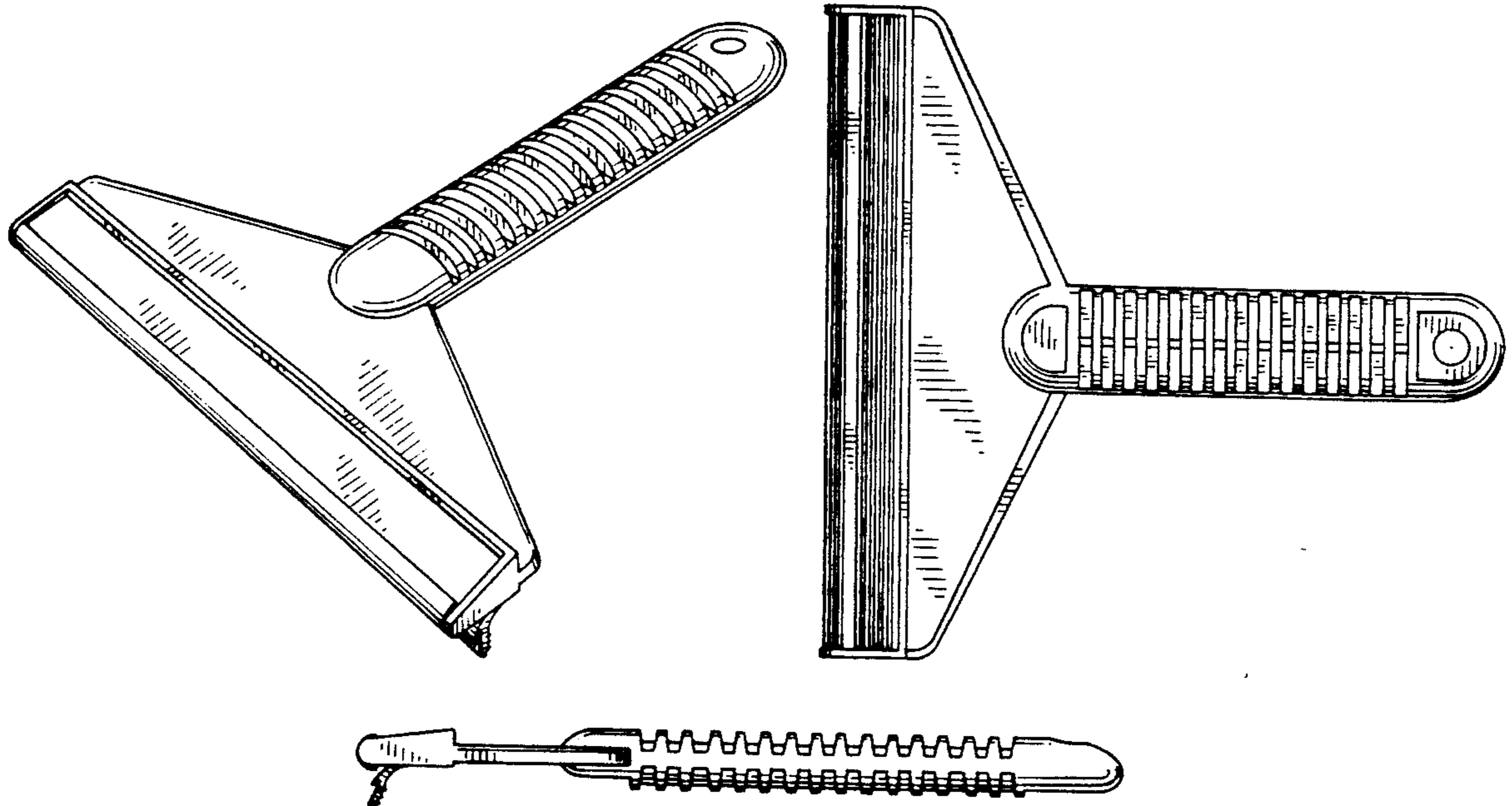
*Primary Examiner*—Wallace R. Burke  
*Assistant Examiner*—Lavone D. Tabor  
*Attorney, Agent, or Firm*—Amster, Rothstein & Ebenstein

[57] **CLAIM**

The ornamental design for a squeegee, as shown and described.

**DESCRIPTION**

FIG. 1 is a front perspective view of a squeegee showing our new design;  
FIG. 2 is a top plan view thereof;  
FIG. 3 is a bottom plan view thereof;  
FIG. 4 is a right-side elevational view thereof, the left-side elevational view being a mirror image;  
FIG. 5 is a front elevational view thereof; and,  
FIG. 6 is a rear elevational view thereof.



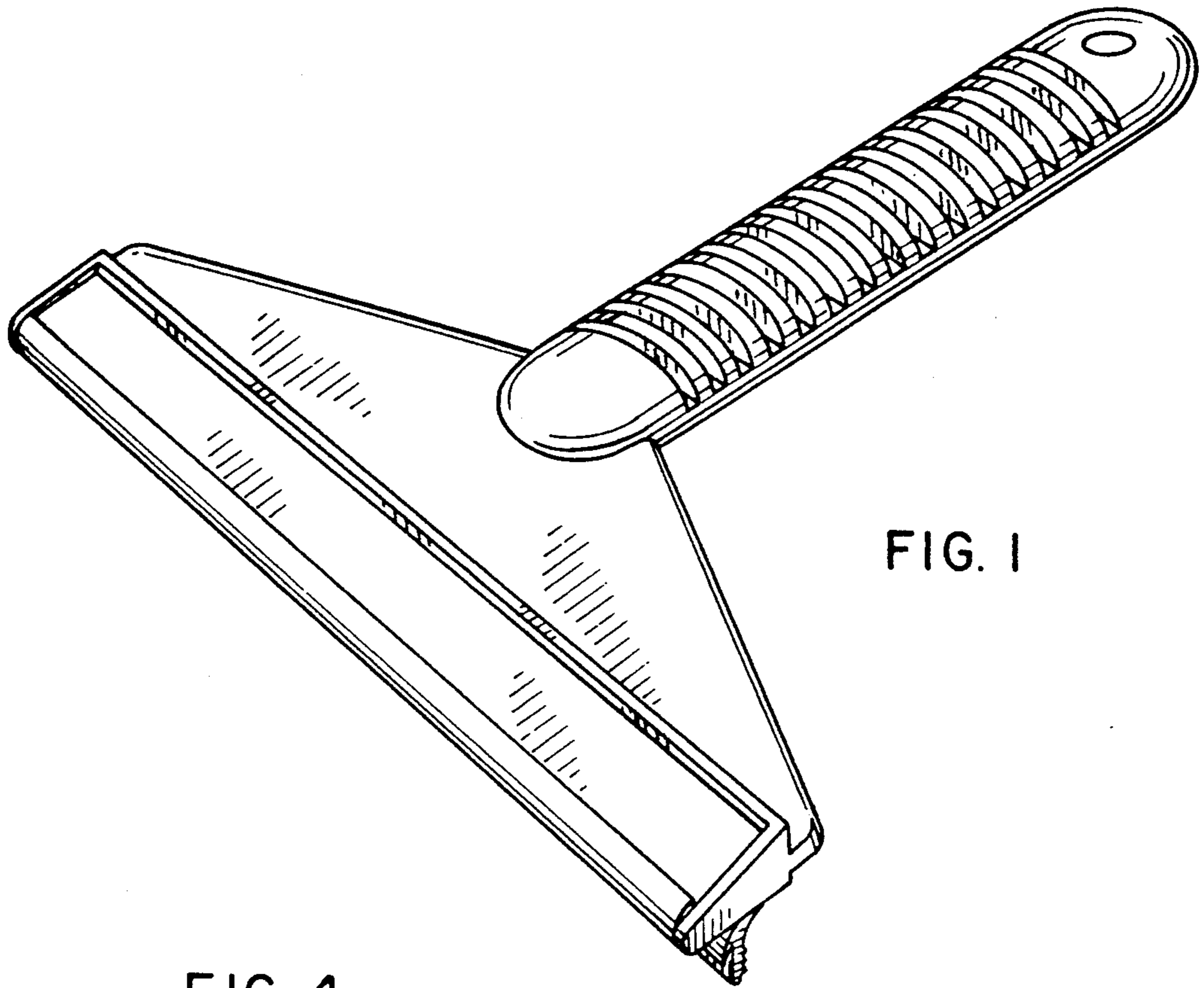


FIG. 1

FIG. 4

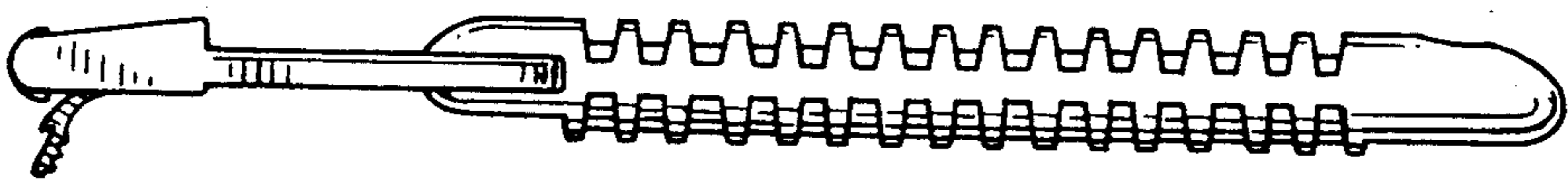


FIG. 5

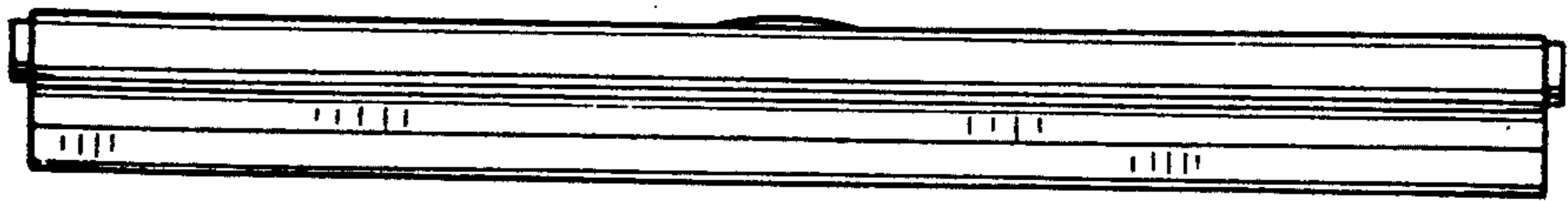
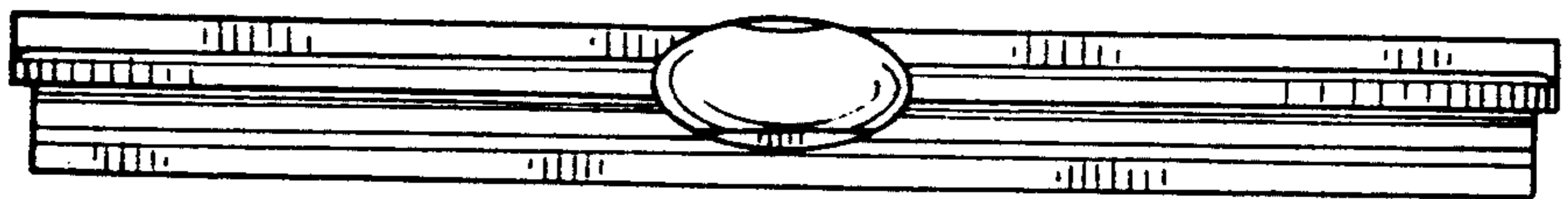


FIG. 6



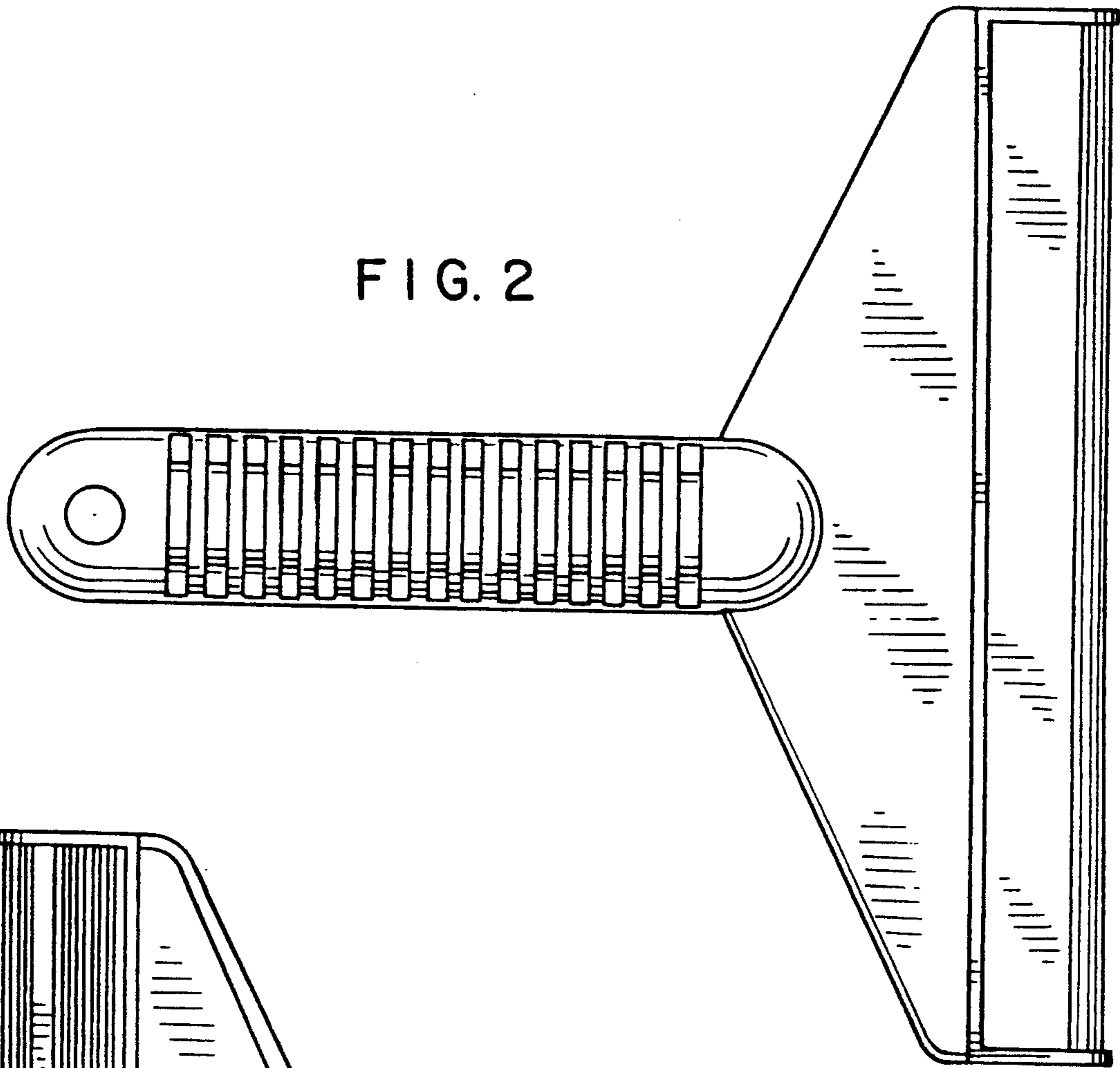


FIG. 2

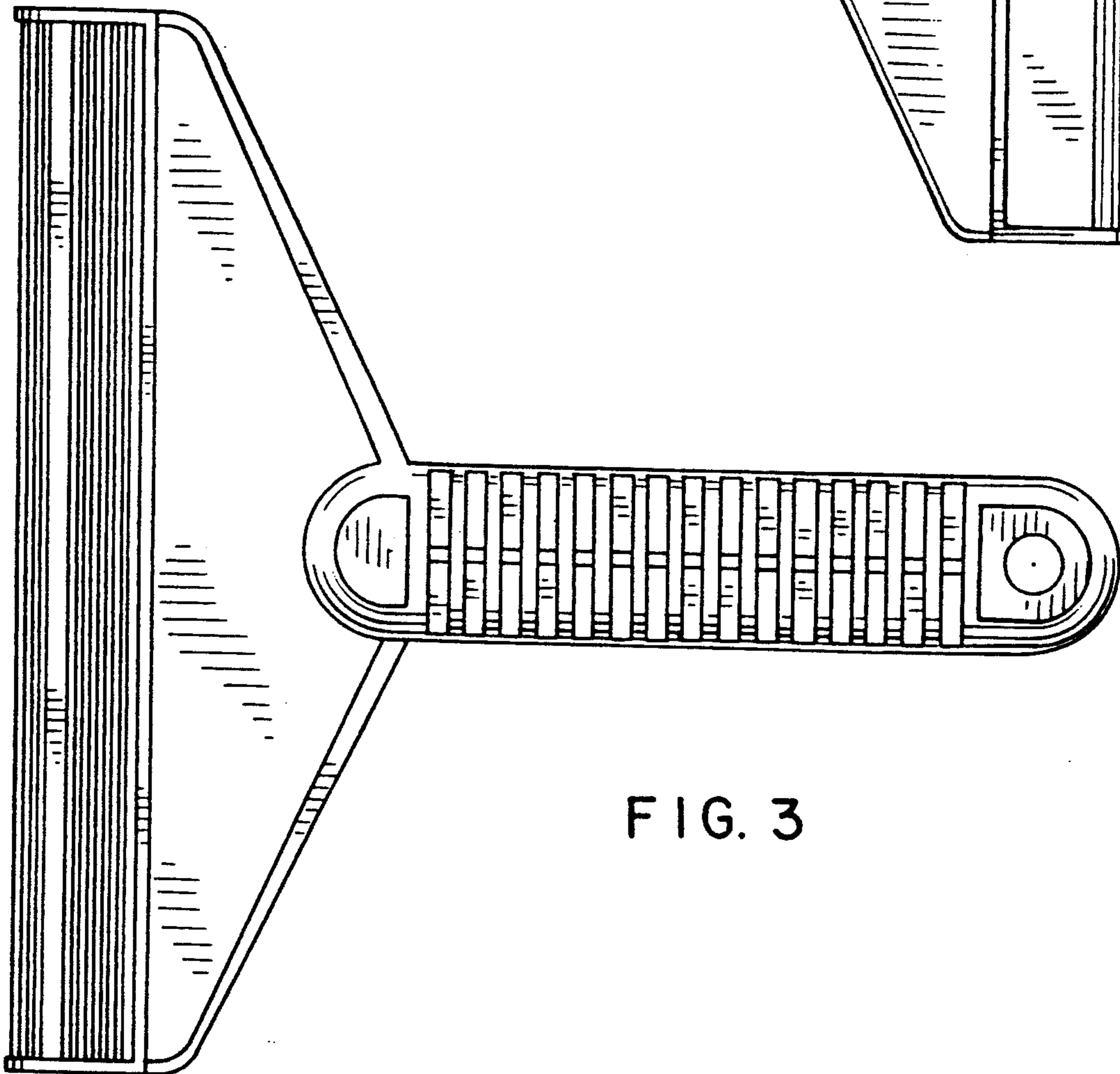


FIG. 3