



US00D343263S

United States Patent [19]

Singh

[11] Patent Number: Des. 343,263

[45] Date of Patent: ** Jan. 11, 1994

[54] UPRIGHT VACUUM CLEANER FILTER

[76] Inventor: Pravindra Singh, 805 Julian Dr., West Sacramento, Calif. 95605

[**] Term: 14 Years

[21] Appl. No.: 841,746

[22] Filed: Feb. 28, 1992

[52] U.S. Cl. D32/30; D32/31

[58] Field of Search 15/347, 349, 350, 352, 15/353, 246.3; D32/25, 30-31; D23/207, 209

[56] **References Cited**

U.S. PATENT DOCUMENTS

D. 143,421	1/1946	Gasner	D32/30
D. 202,611	10/1965	Gantz	D32/30
D. 209,502	12/1967	Greene et al.	D32/30
D. 214,811	7/1969	Gaundry	D32/30

D. 240,698	7/1976	Durkee	D32/30
4,678,485	7/1987	Finley et al.	15/351
4,960,446	10/1990	Werner et al.	15/352

Primary Examiner—Ruth McInroy
Attorney, Agent, or Firm—S. Michael Bender

[57] **CLAIM**

The ornamental design for an upright vacuum cleaner filter, as shown and described.

DESCRIPTION

FIG. 1 is a front elevational view of a upright vacuum cleaner filter showing my new design;
FIG. 2 is a rear elevational view thereof;
FIG. 3 is a left side elevational view thereof;
FIG. 4 is a right side elevational view thereof;
FIG. 5 is a top plan view thereof; and,
FIG. 6 is a bottom plan view thereof.

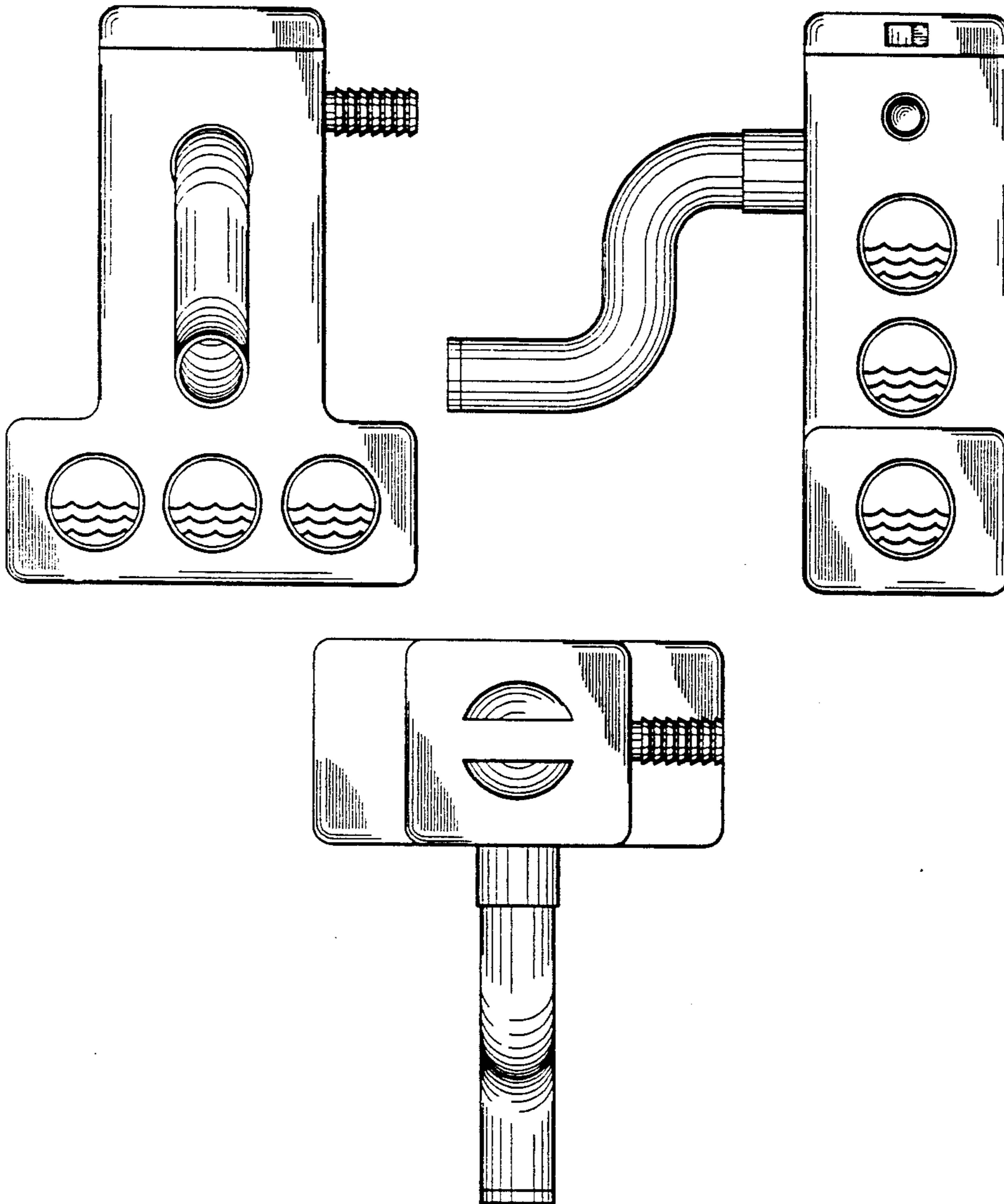


FIG. 1

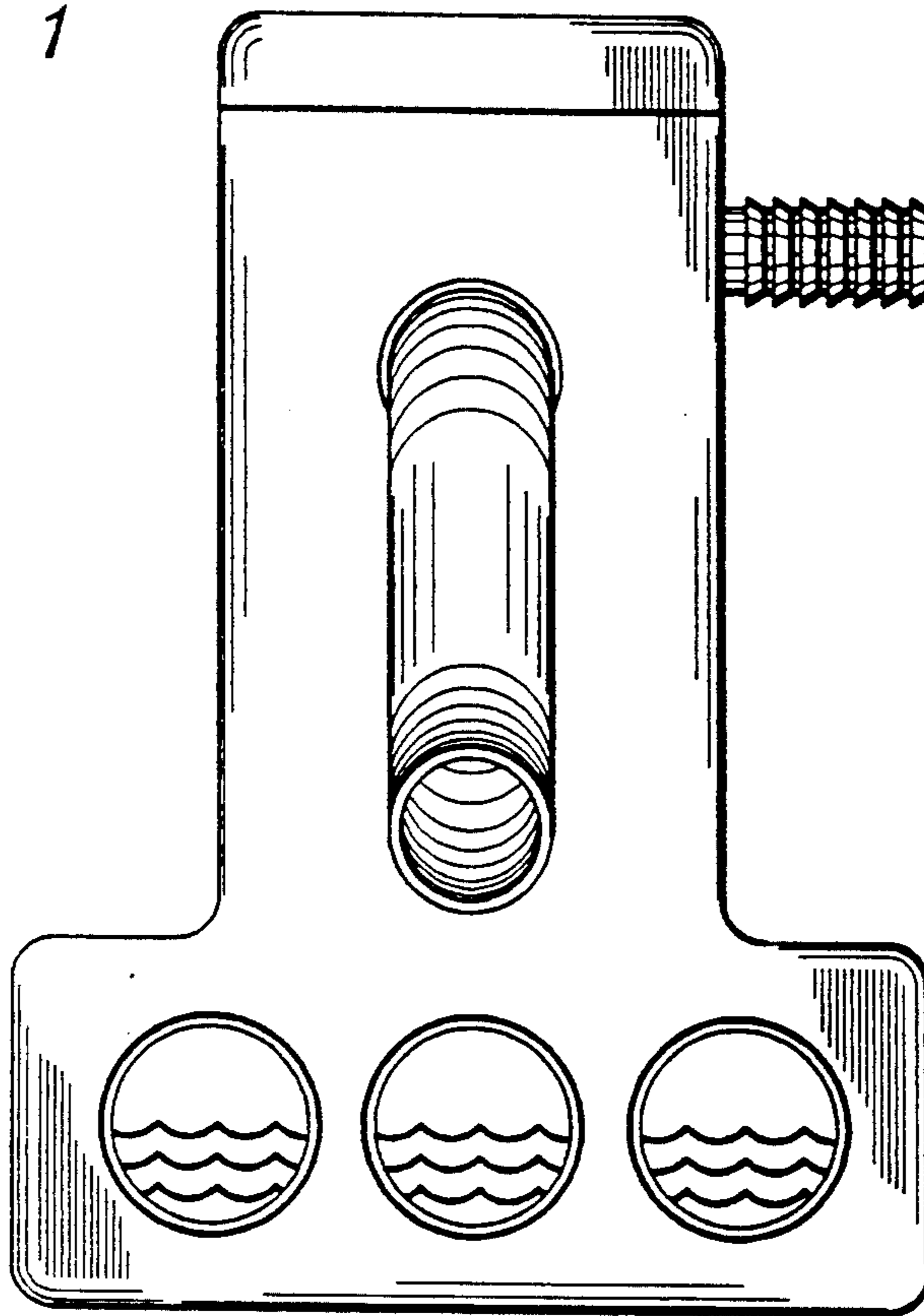


FIG. 2

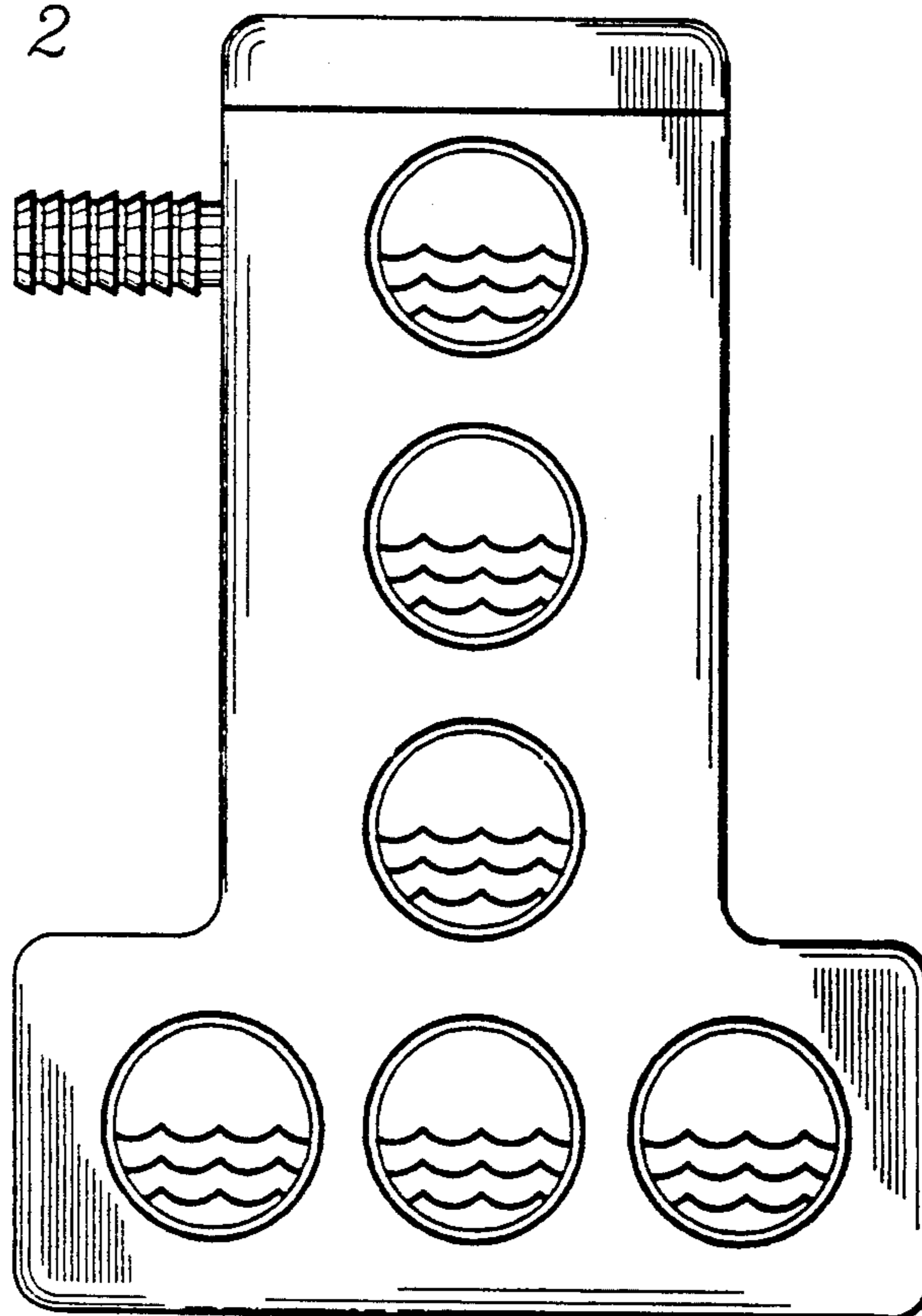


FIG. 3

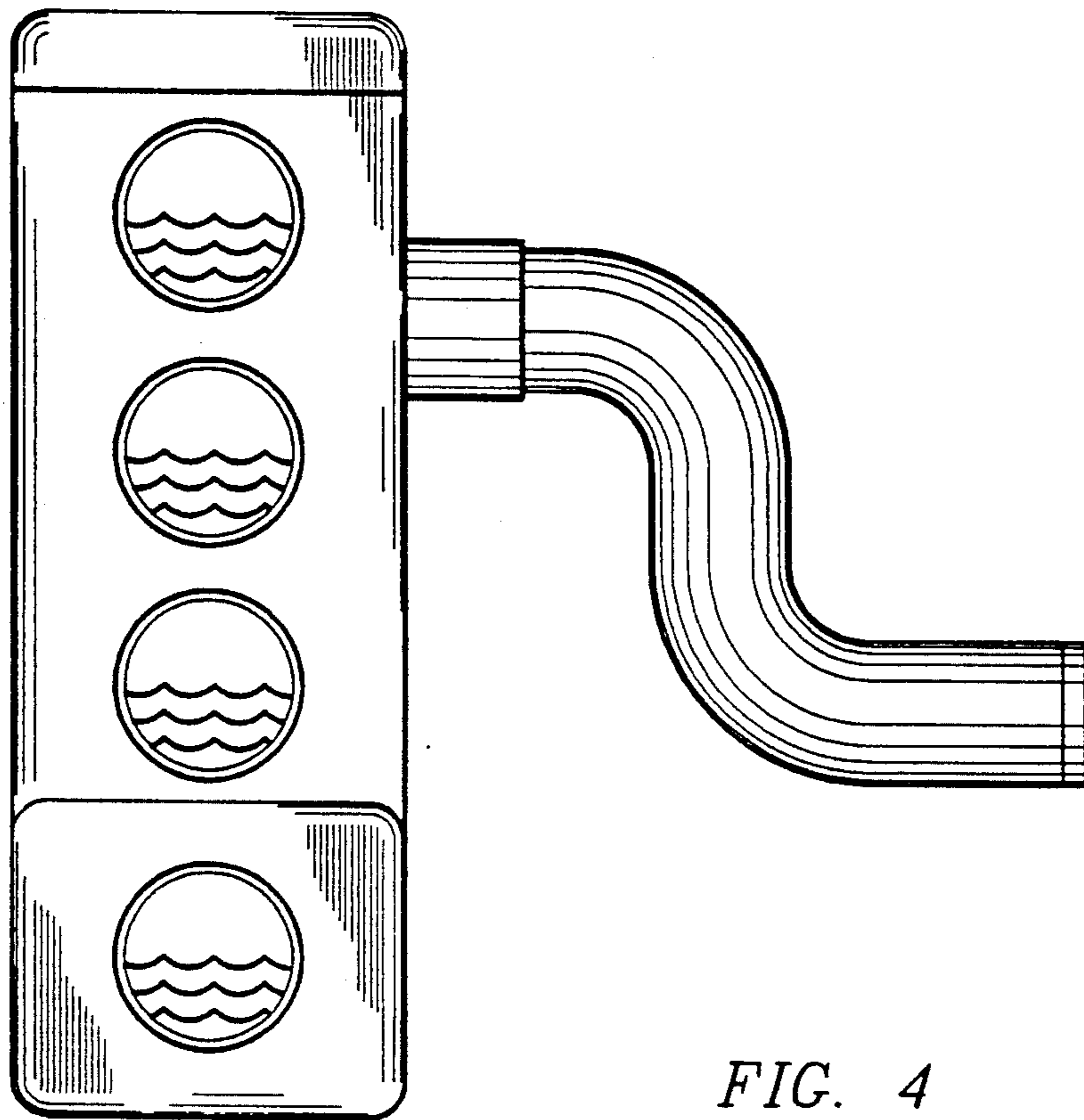


FIG. 4

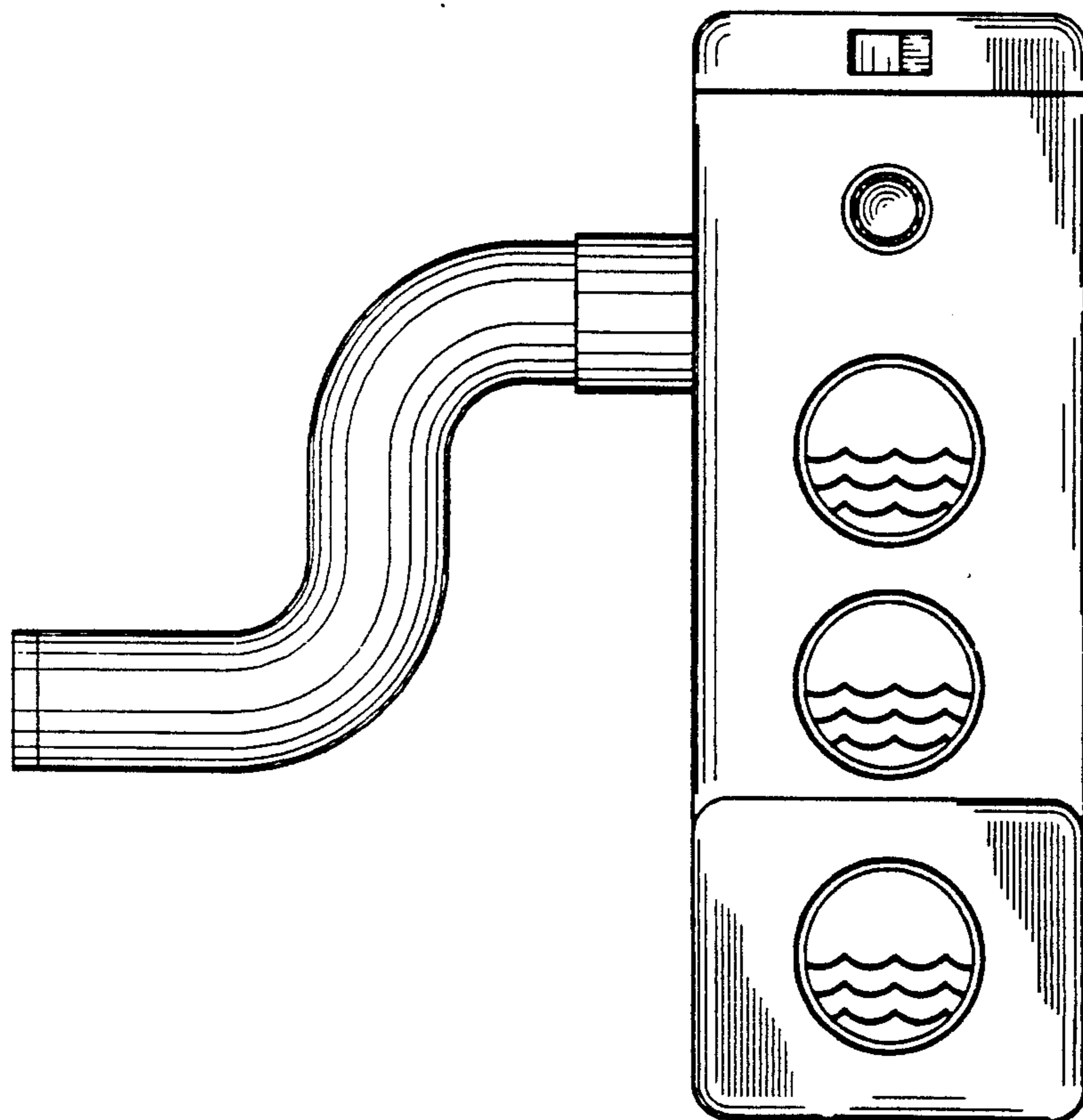


FIG. 5

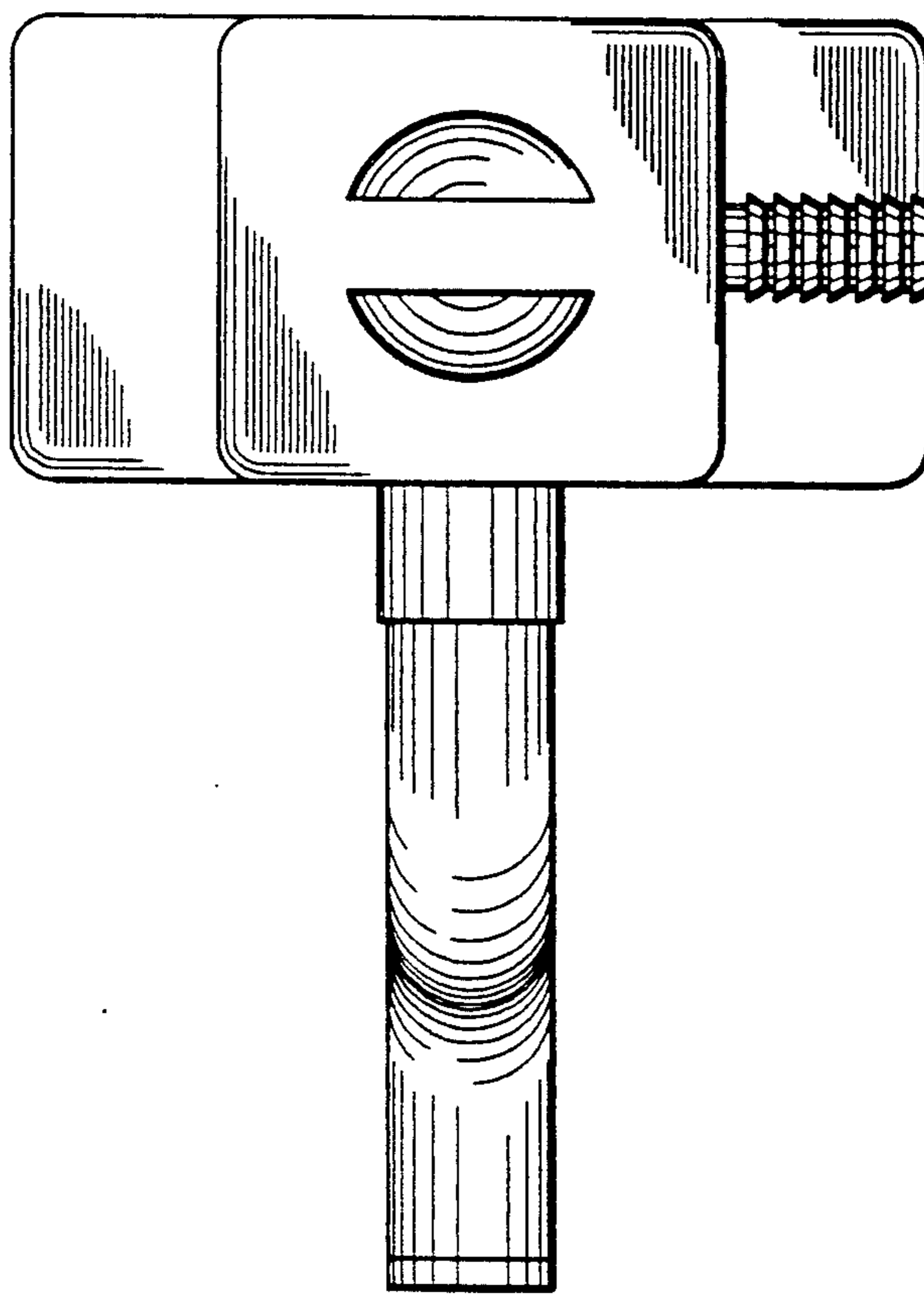


FIG. 6

