



US00D343253S

United States Patent [19]

[11] Patent Number: **Des. 343,253**

Gruber et al.

[45] Date of Patent: **** Jan. 11, 1994**

[54] **SUPPORT ASSEMBLY FOR SUSPENDED LUMINAIRE**

[56] **References Cited**

U.S. PATENT DOCUMENTS

[75] Inventors: **Harold T. Gruber, Summit Station; Bonnie J. Brohard, Newark; William W. Belisle, Newark; Herbert A. Fouke, Newark, all of Ohio**

D. 185,973 8/1959 Meyer D26/142
D. 315,612 3/1991 Hughes et al. D26/85
2,129,335 9/1938 Poling 362/408

Primary Examiner—Susan J. Lucas
Attorney, Agent, or Firm—Brooks & Kushman

[73] Assignee: **Holophane Company, Inc., Newark, Ohio**

[57] **CLAIM**

The ornamental design for a support assembly for suspended luminaire, as shown and described.

[**] Term: **14 Years**

DESCRIPTION

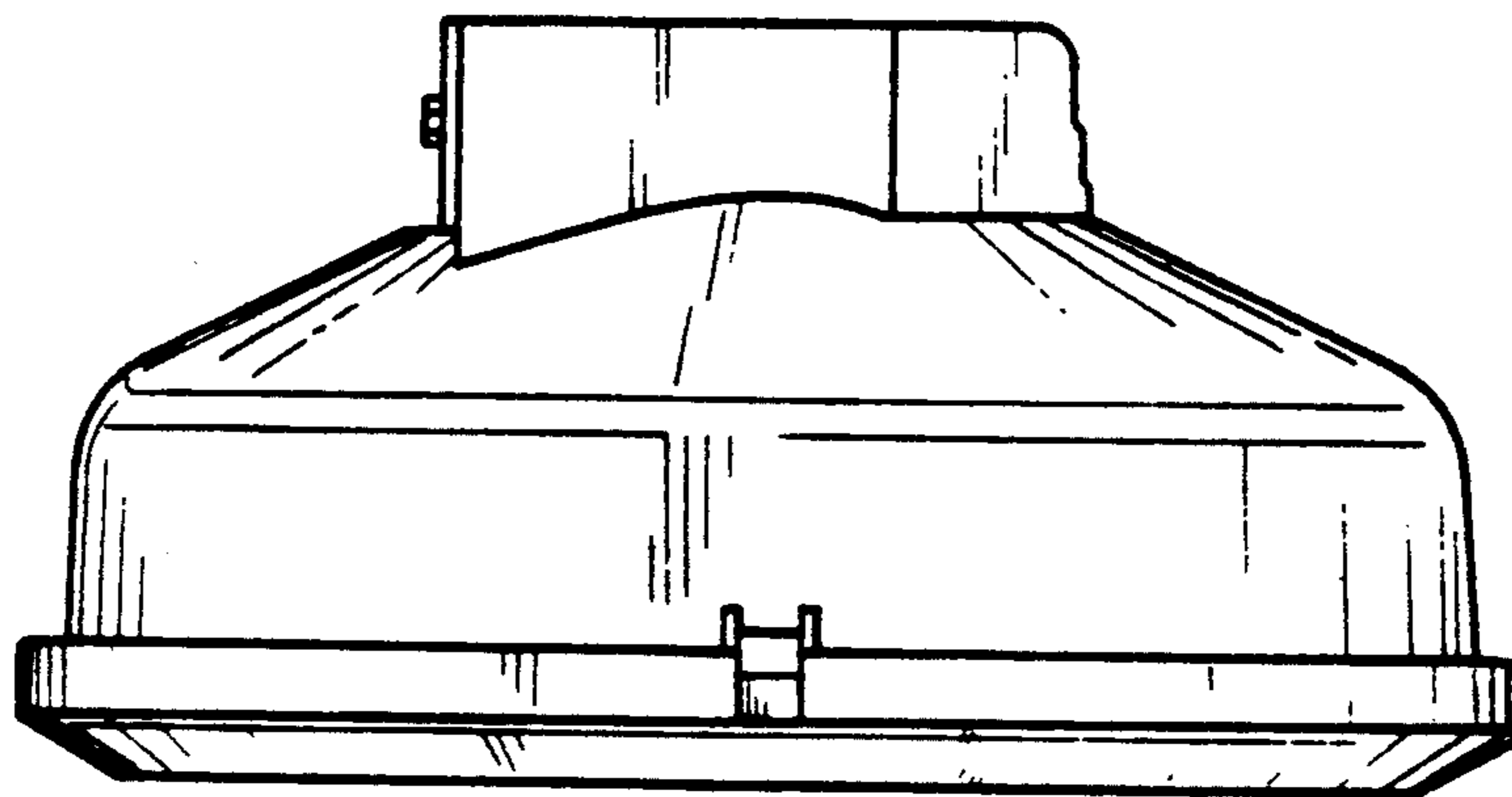
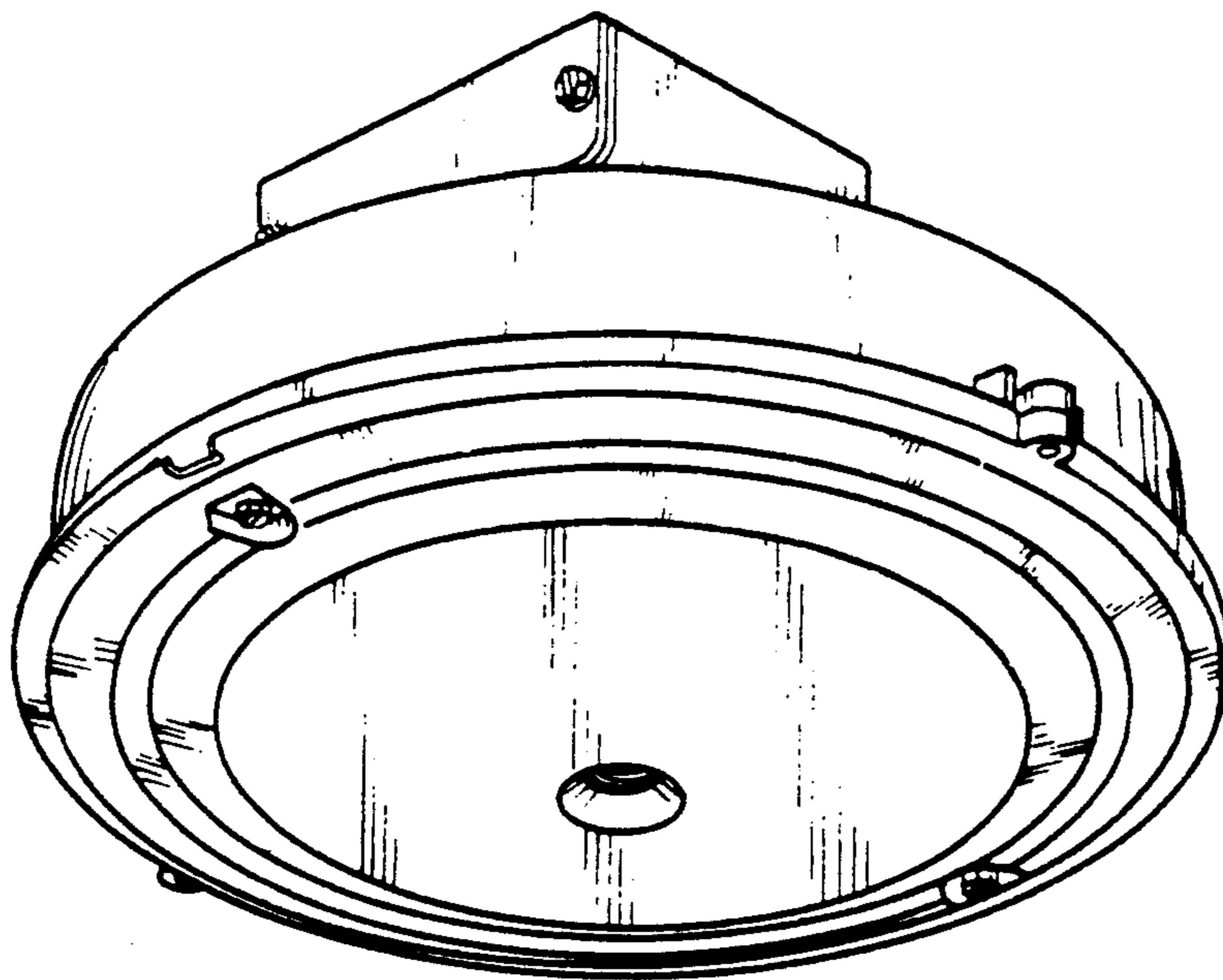
[21] Appl. No.: **844,002**

FIG. 1 is a perspective view of our new design;
FIG. 2 is a right side elevational view thereof, the left side being a mirror image;
FIG. 3 is a front elevational view thereof;
FIG. 4 is a top plan view;
FIG. 5 is a bottom plan view; and,
FIG. 6 is a rear elevational view.

[22] Filed: **Feb. 27, 1992**

[52] U.S. Cl. **D26/142**

[58] Field of Search 362/147, 404-408;
248/317; D26/72, 80-92, 113, 138, 142, 149



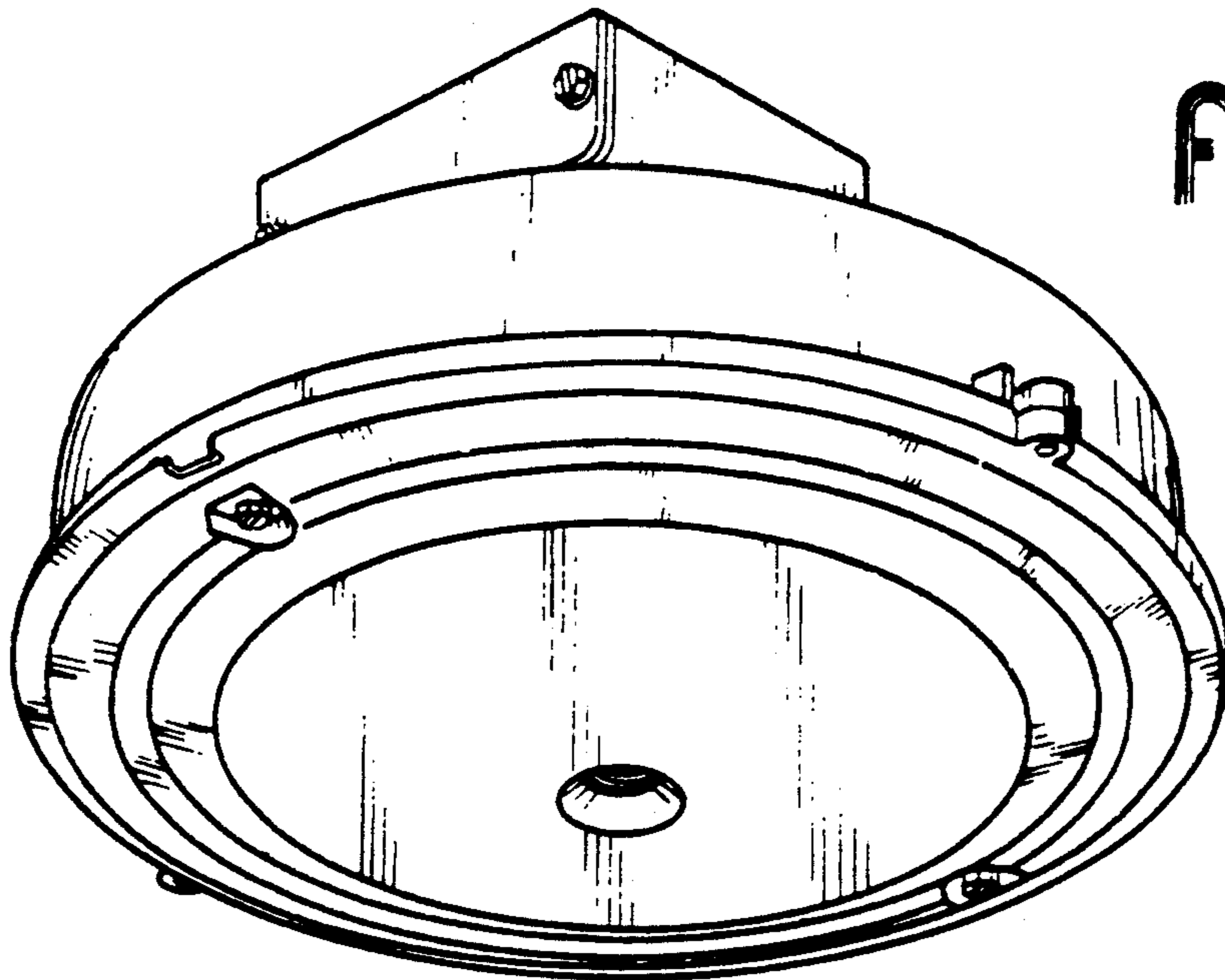


fig-1

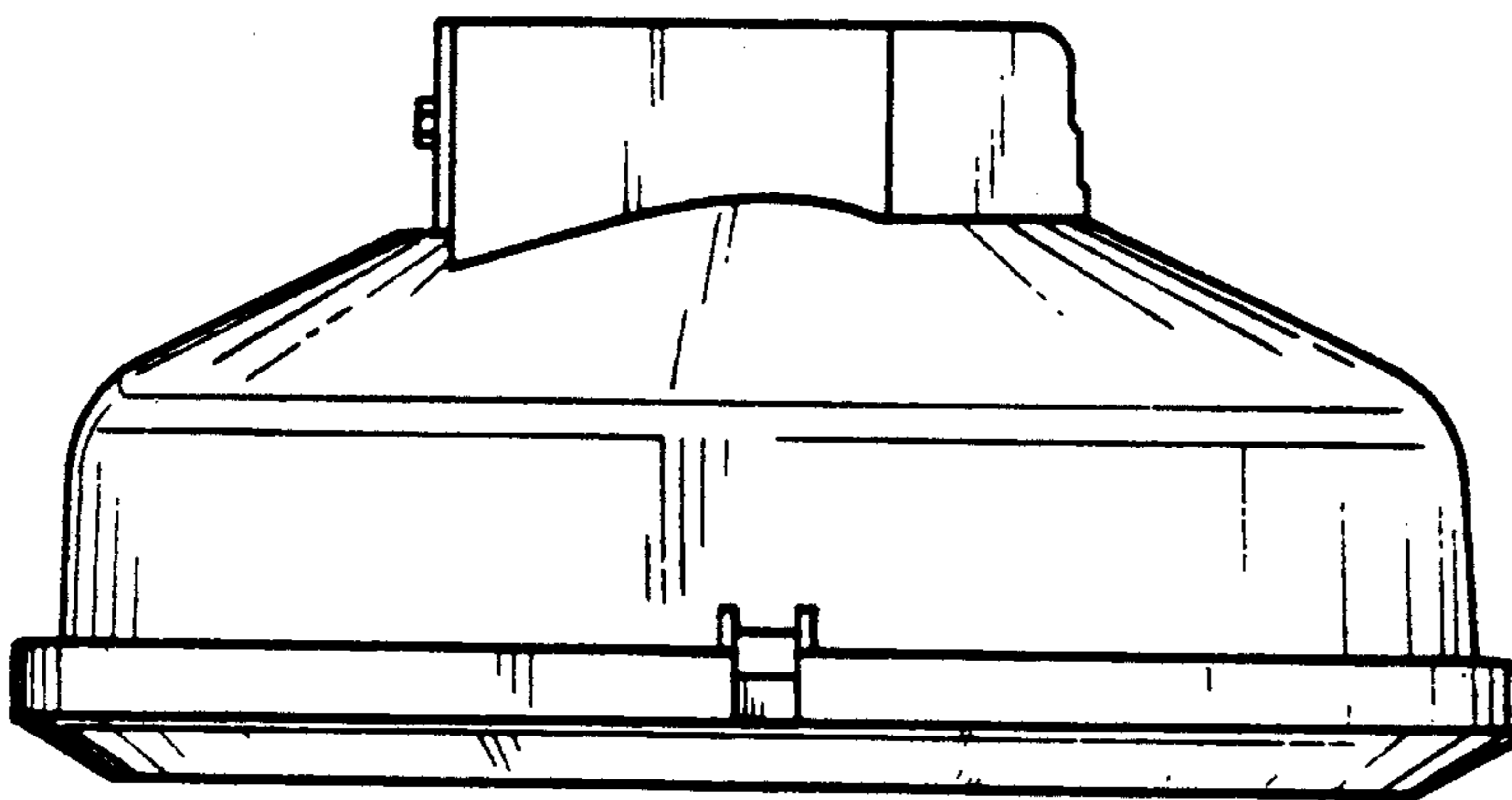


fig-2

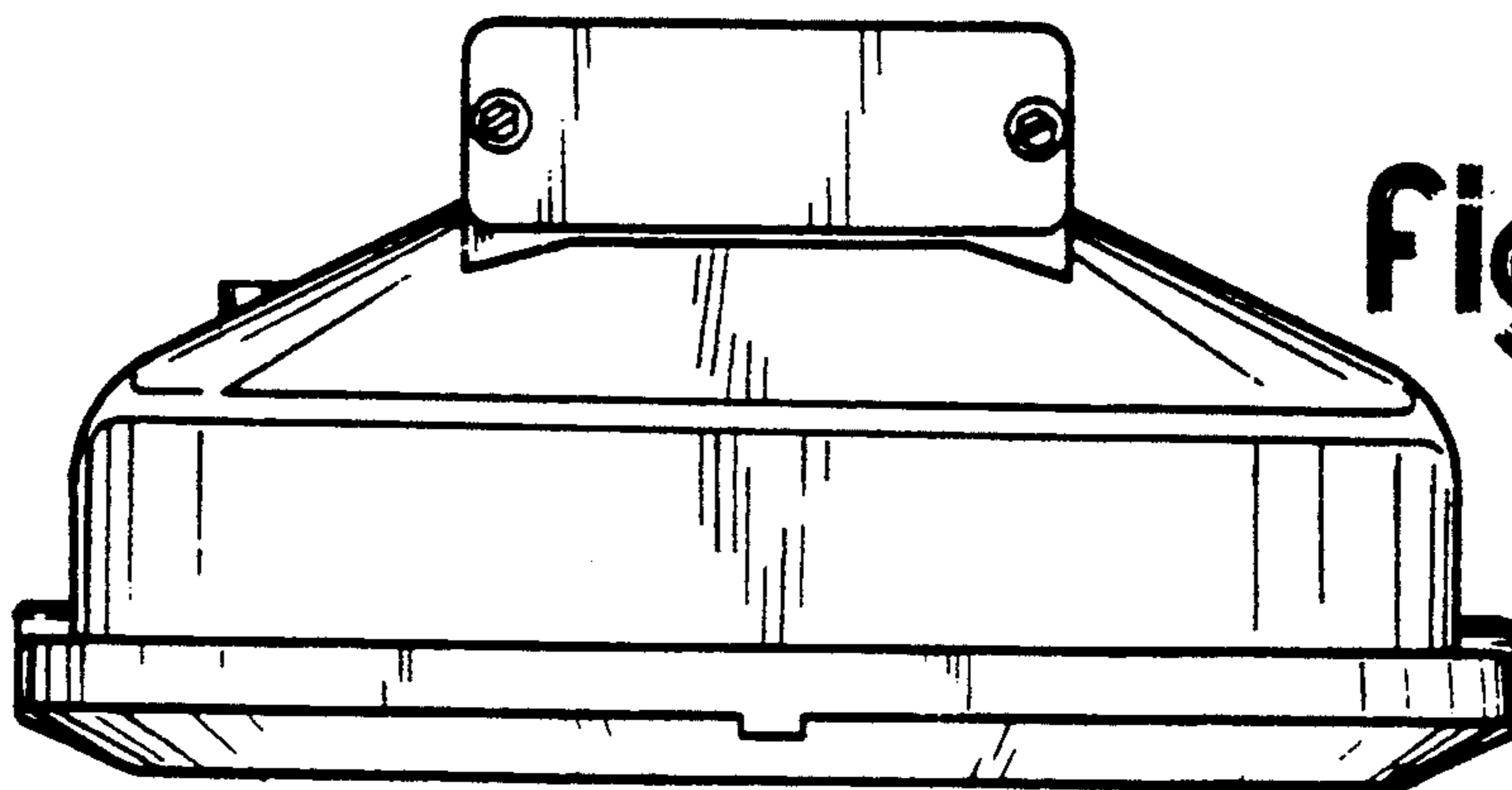


fig-3

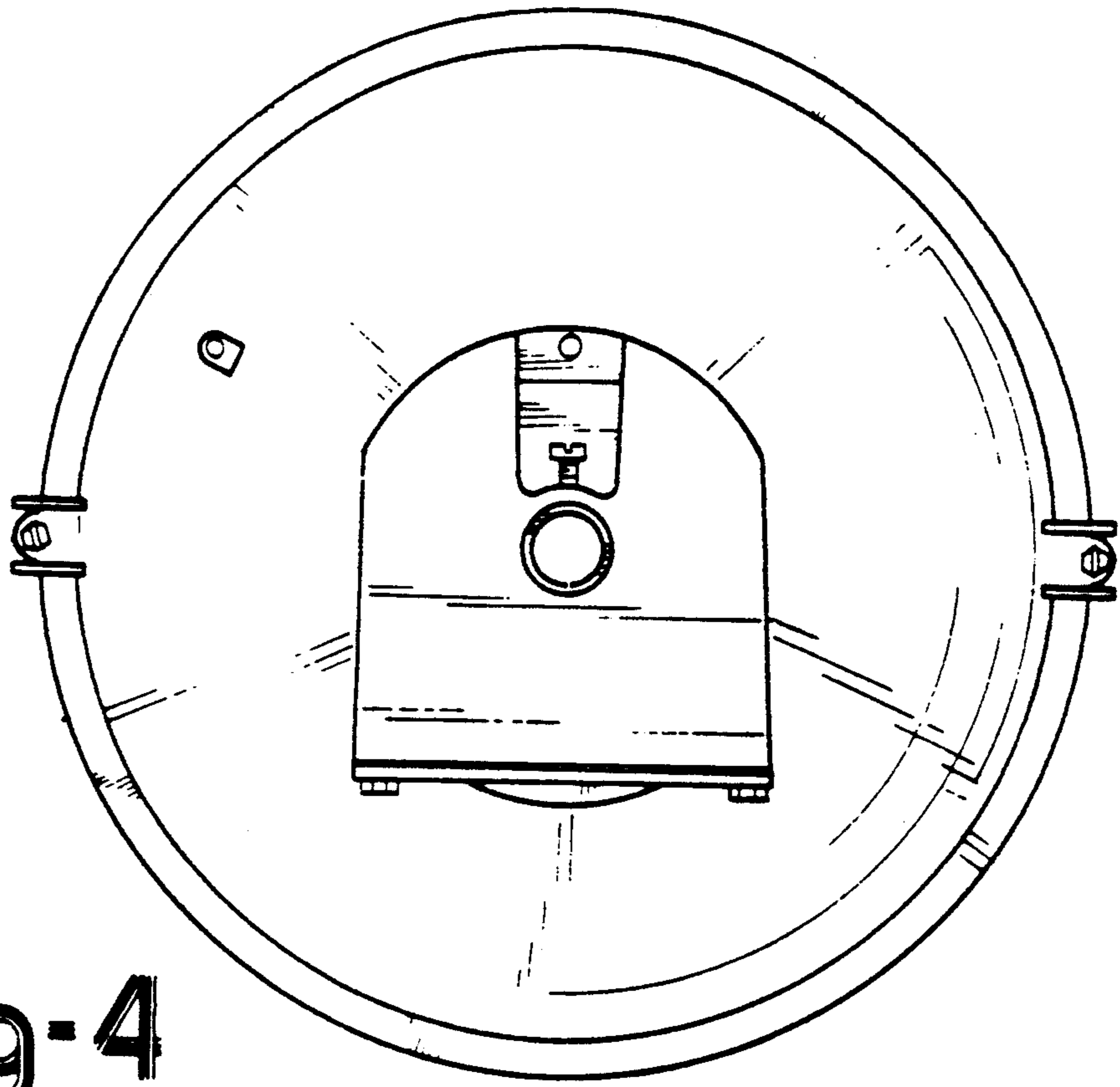


fig-4

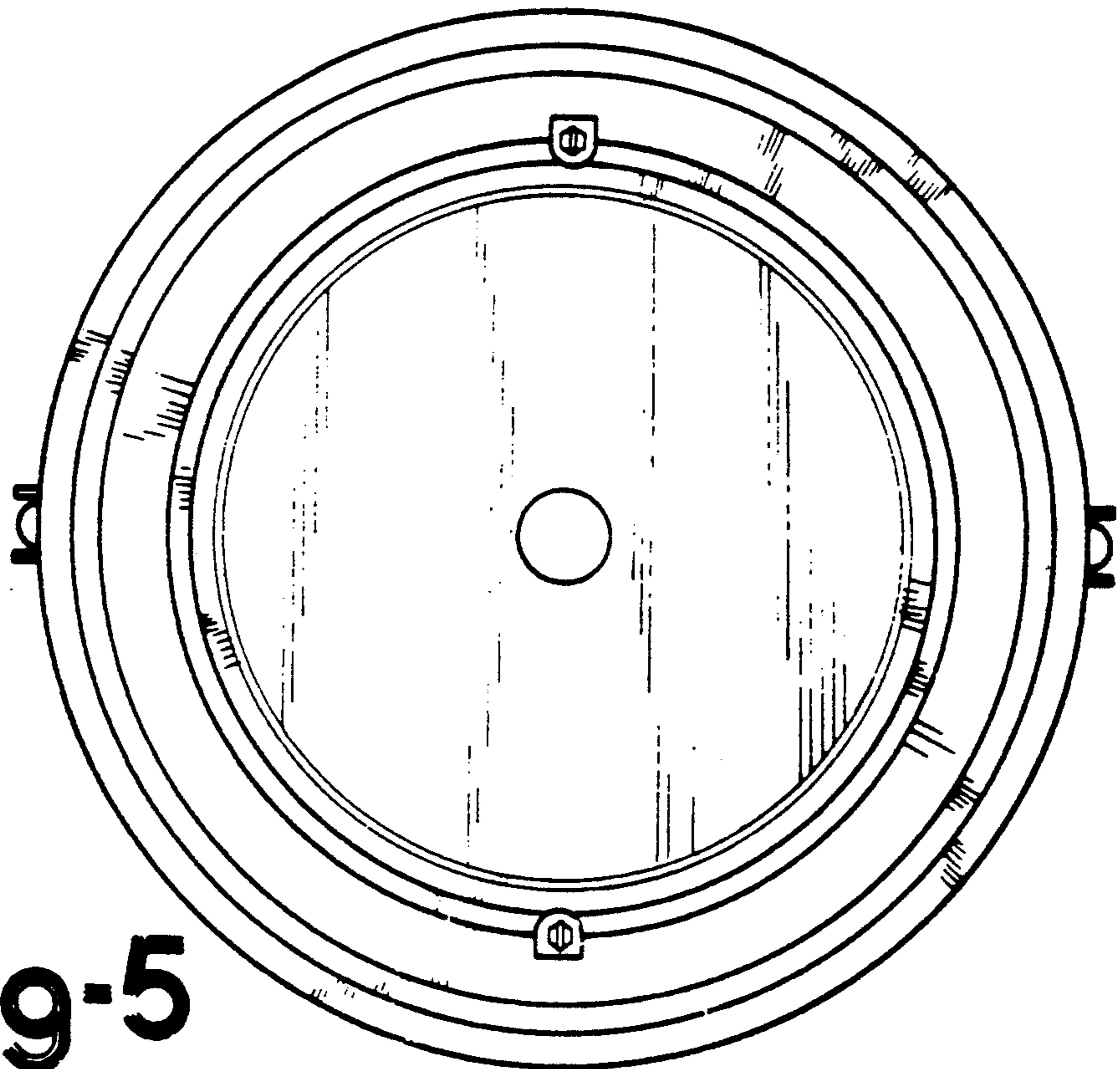


fig-5

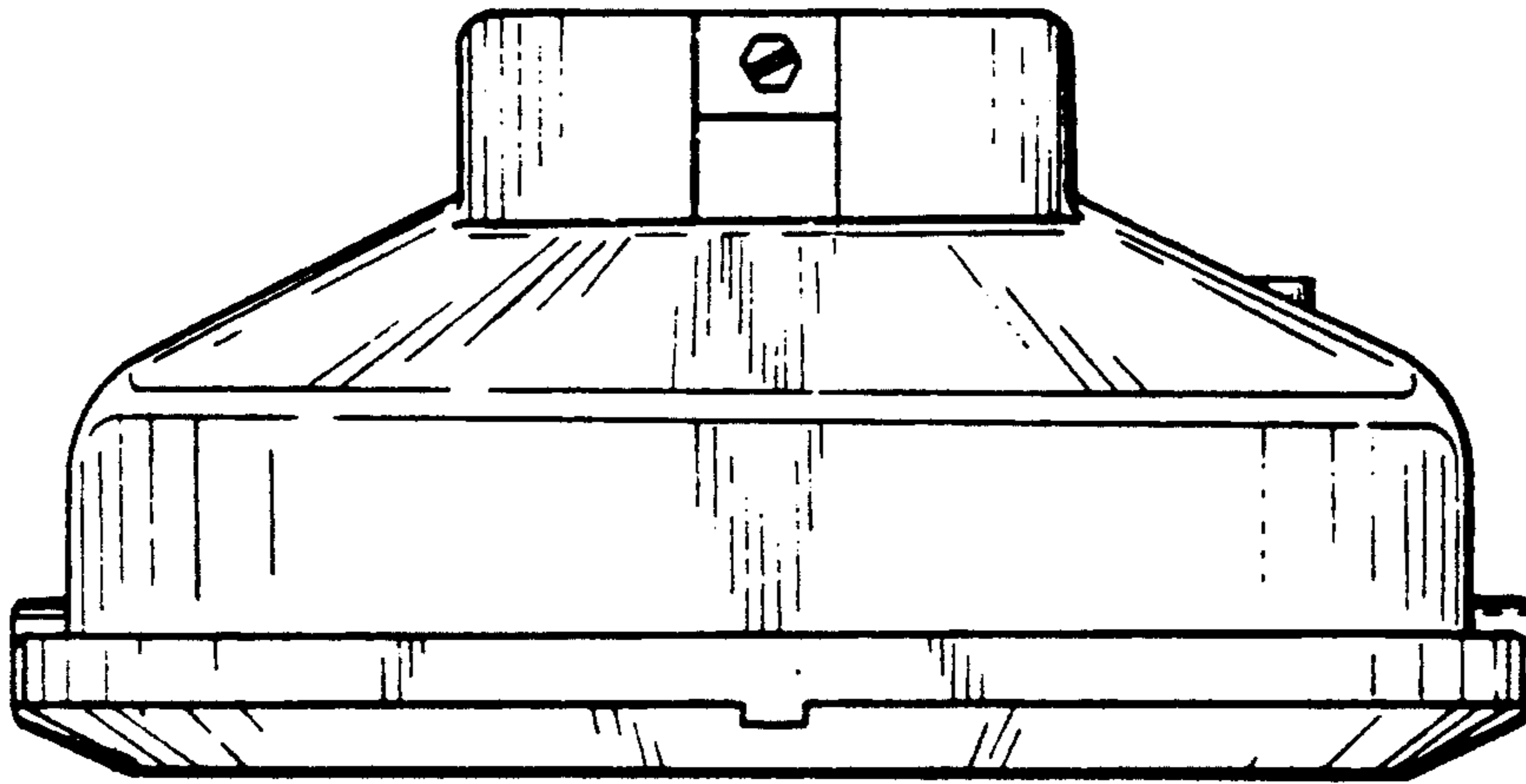


fig-6