



US00D343252S

United States Patent [19]

[11] Patent Number: **Des. 343,252**

Belisle

[45] Date of Patent: **** Jan. 11, 1994**

[54] SUSPENDED LUMINAIRE

[75] Inventor: **William W. Belisle, Newark, Ohio**

[73] Assignee: **Holophane Company, Inc., Newark, Ohio**

[**] Term: **14 Years**

[21] Appl. No.: **857,307**

[22] Filed: **Mar. 25, 1992**

[52] U.S. Cl. **D26/88**

[58] Field of Search 362/147, 404-408;
D26/72, 80-92

[56] References Cited

U.S. PATENT DOCUMENTS

D. 298,862 12/1988 Tharp et al. D26/88
4,449,168 5/1984 Ewing 362/147 X

OTHER PUBLICATIONS

Crouse-Hinds Lighting Design & Selection Guide, 1987, p. 5, Indoor Industrial Fixture 8'-20' Mounting (Gr. 2900-Ceiling Lamp Box).

Primary Examiner—Susan J. Lucas
Attorney, Agent, or Firm—Brooks & Kushman

[57] CLAIM

The ornamental design for a suspended luminaire, as shown.

DESCRIPTION

FIG. 1 is a perspective view of my new design;
FIG. 2 is a front elevational view;
FIG. 3 is a right side elevational view;
FIG. 4 is a top plan view;
FIG. 5 is a bottom plan view; and,
FIG. 6 is a rear elevational view.

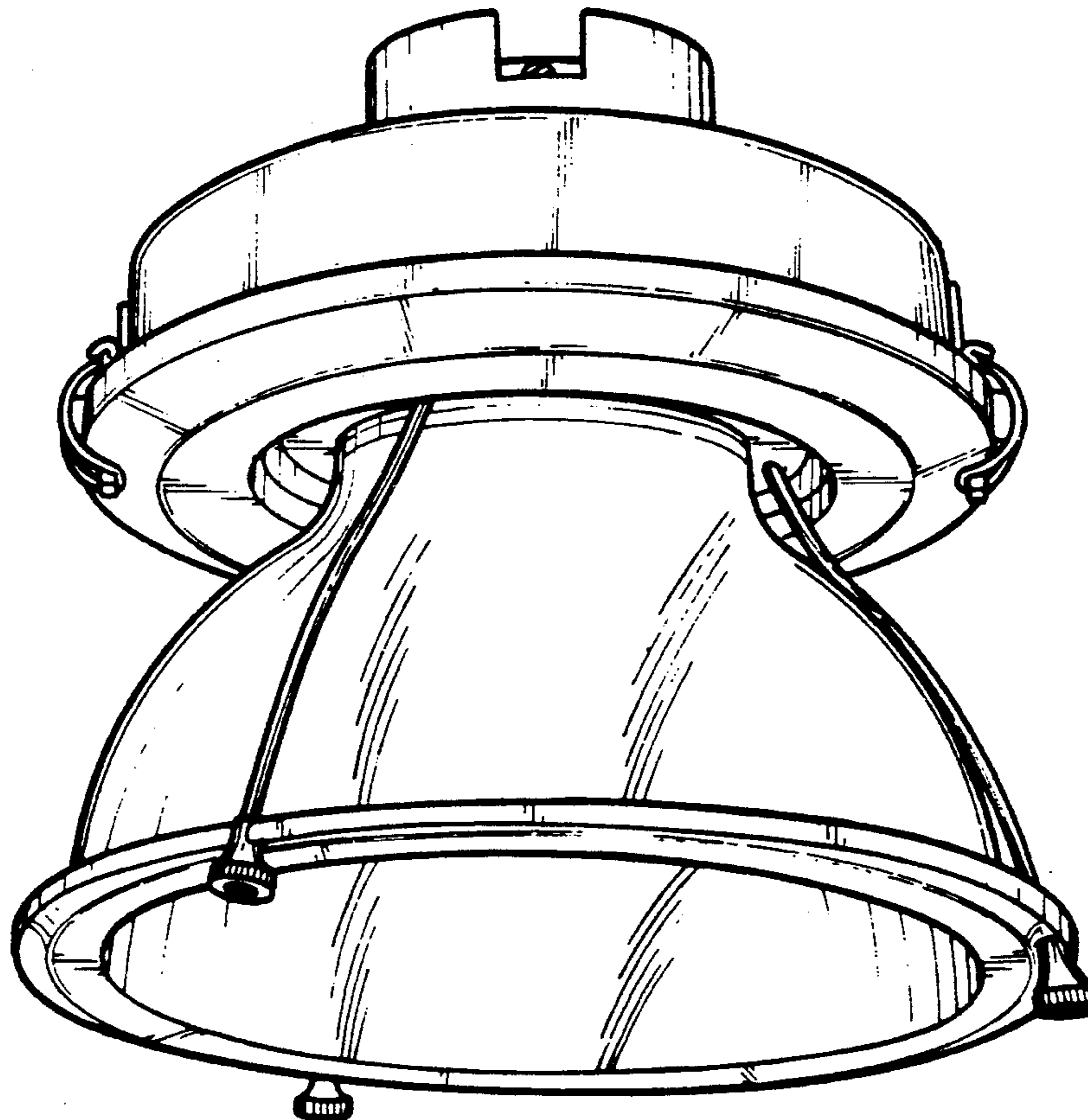


fig-1

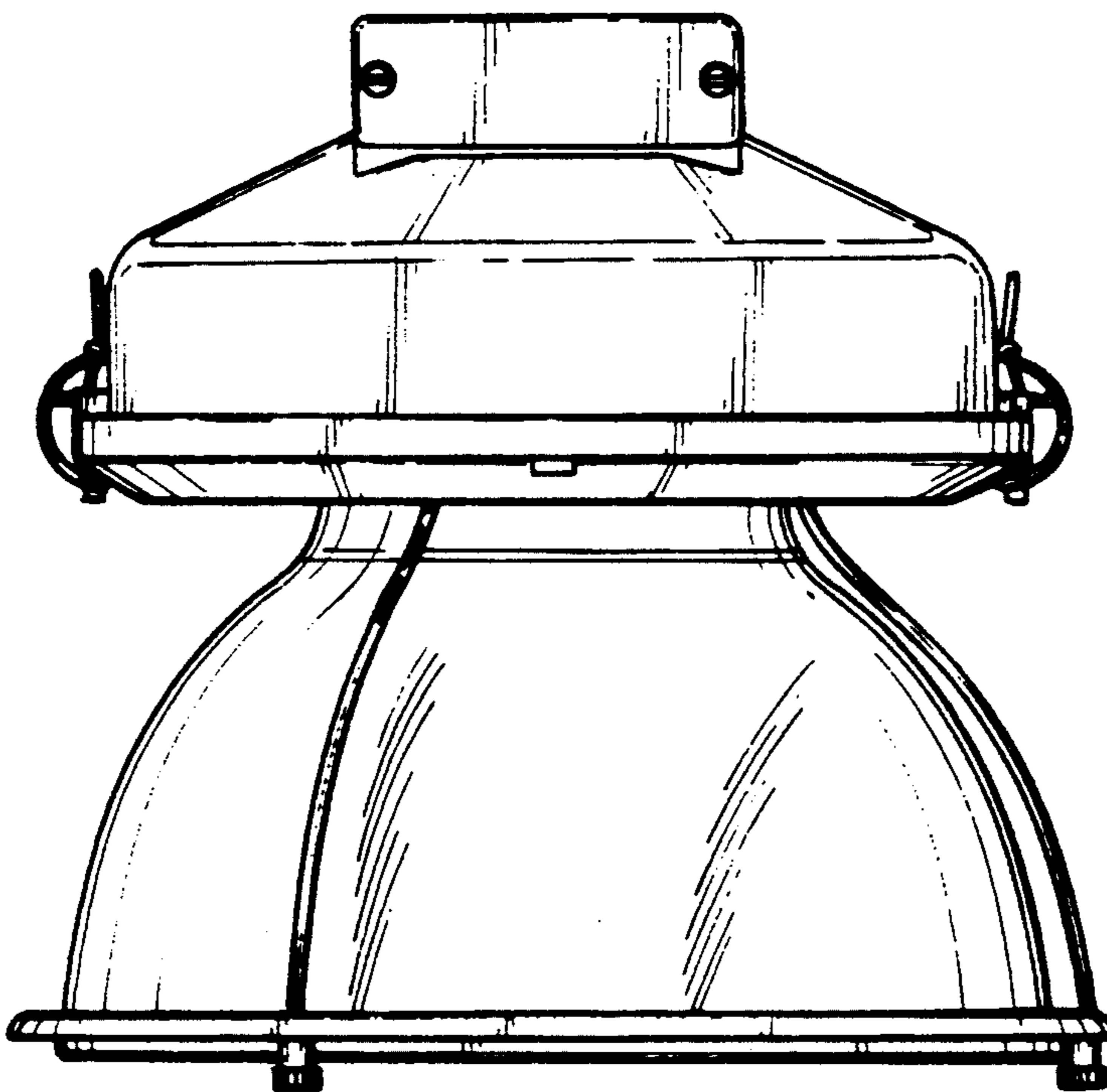
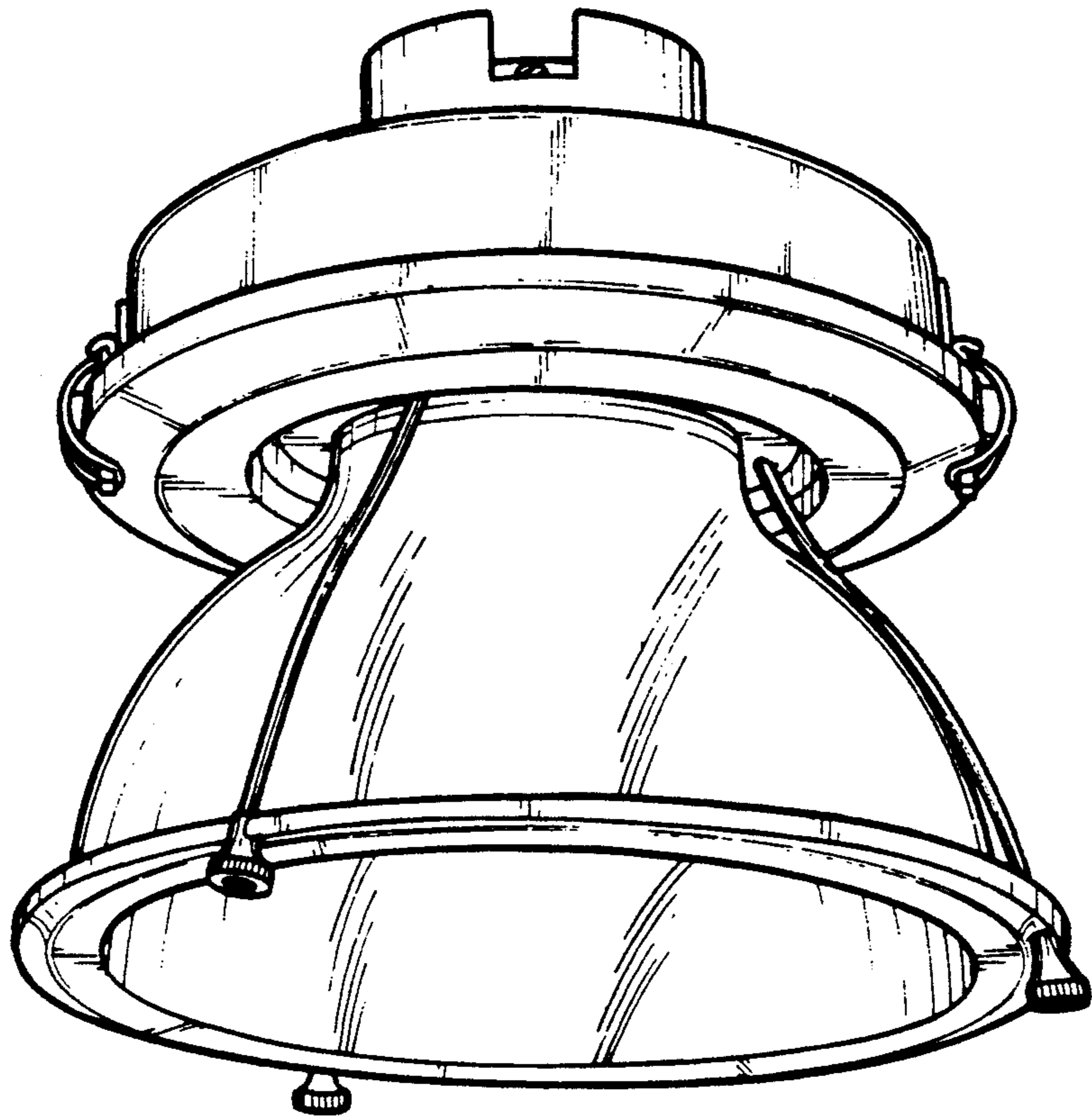


fig-2

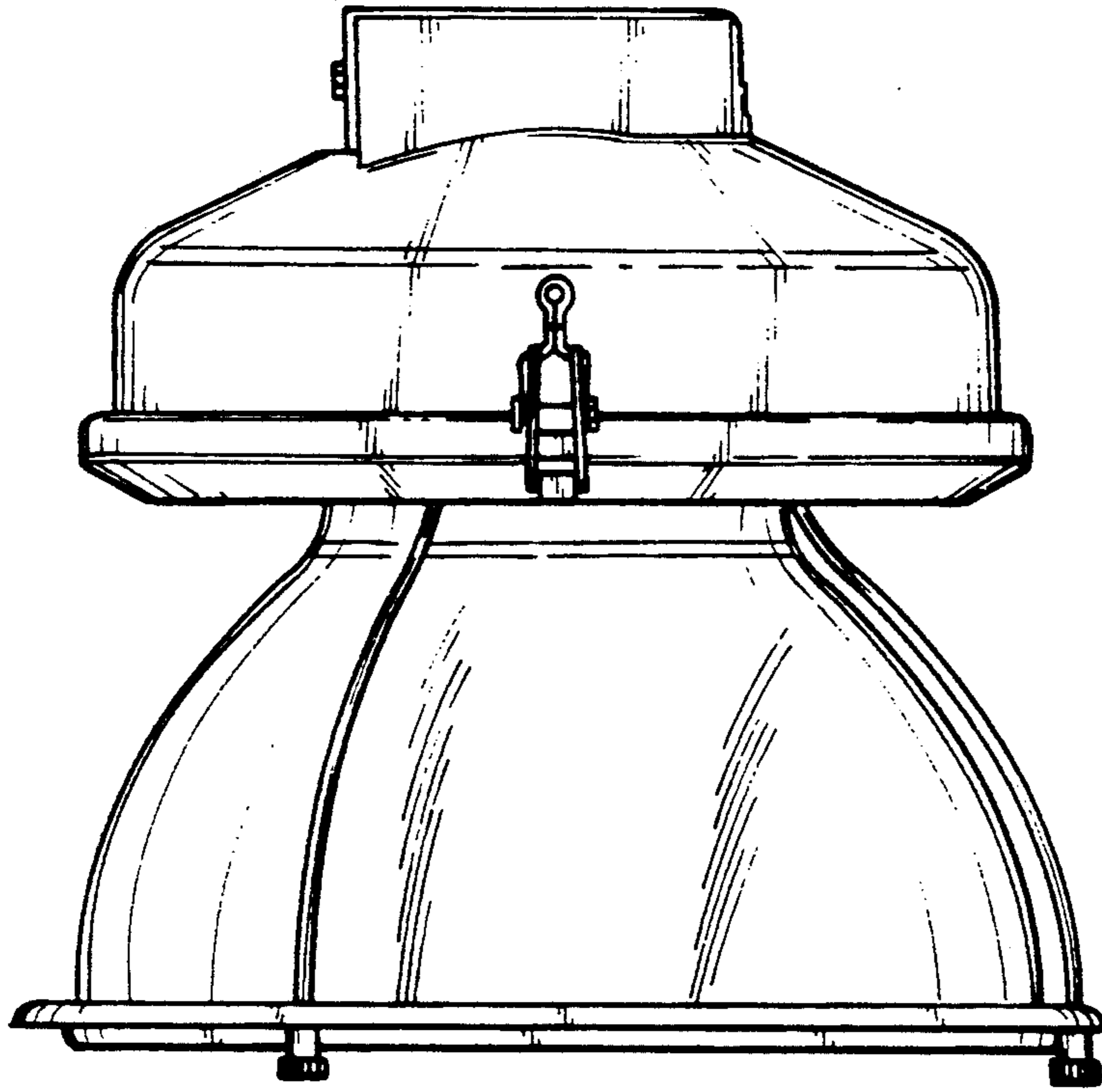


Fig-3

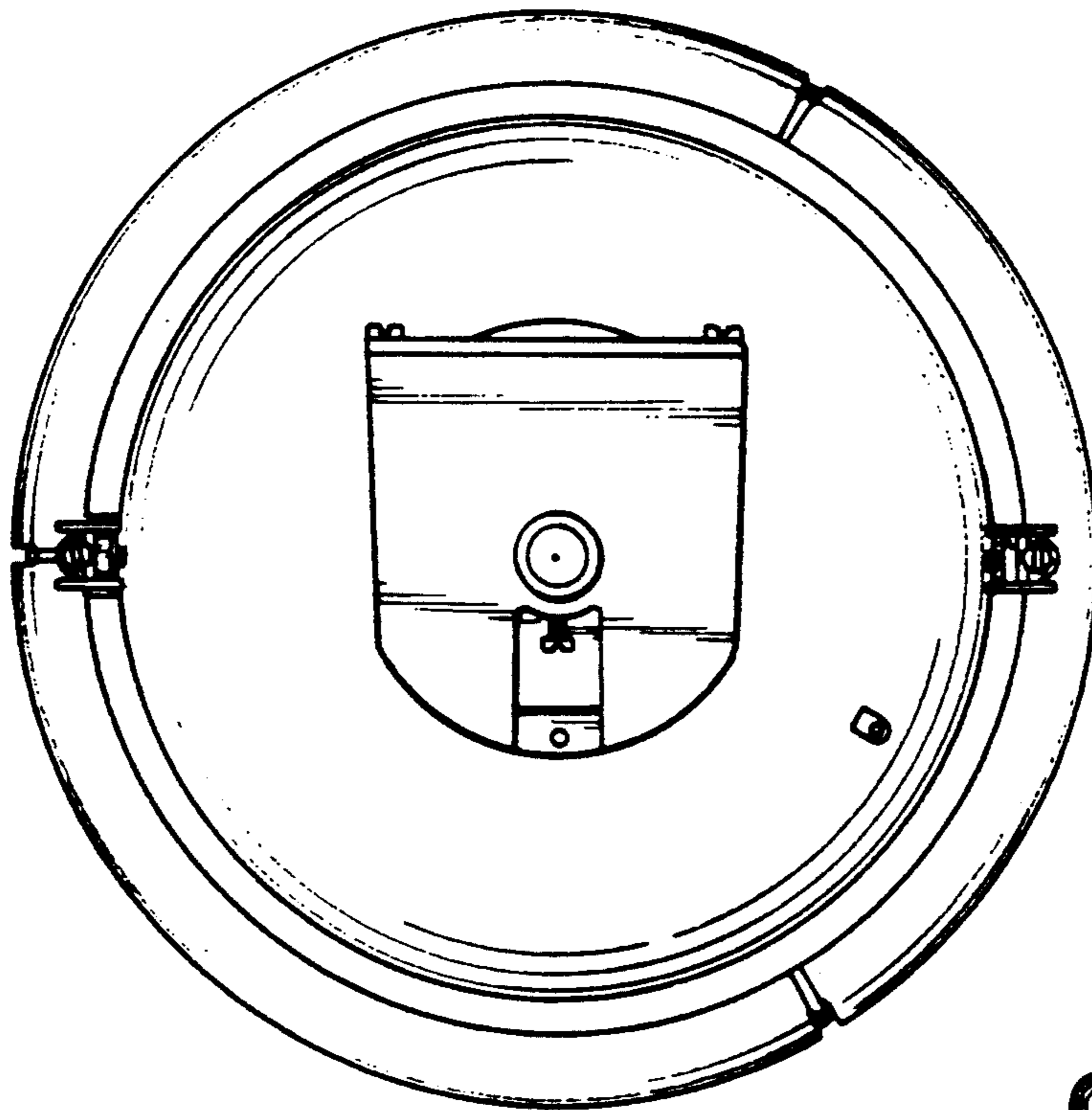


Fig-4

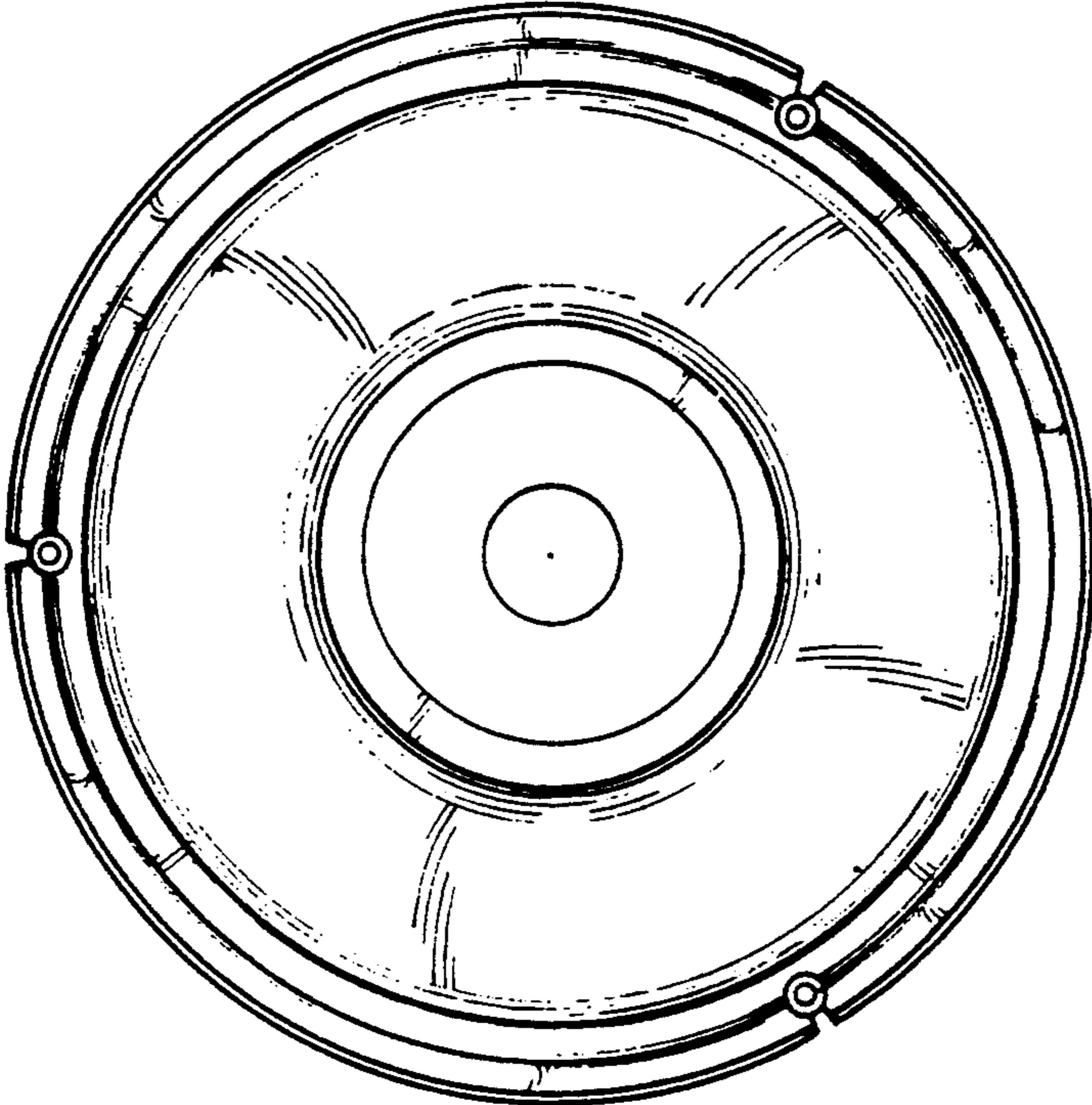


fig-5

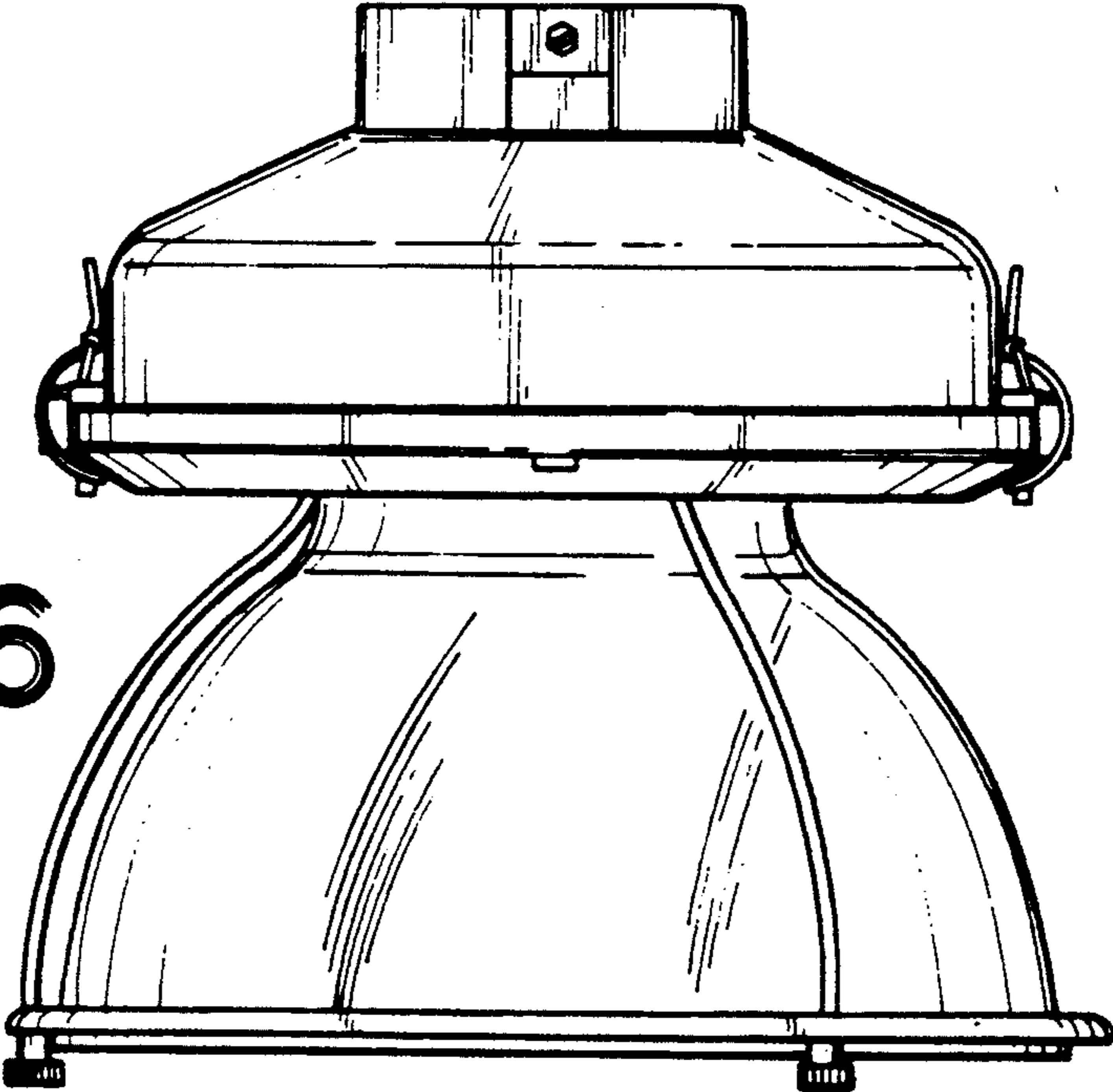


fig-6