



US00D343245S

United States Patent [19]

[11] Patent Number: **Des. 343,245**

Fouke et al.

[45] Date of Patent: **** Jan. 11, 1994**

[54] SUSPENDED LUMINAIRE

[75] Inventors: **Herbert A. Fouke, Newark; David G. Meredith, Westerville; Peter A. Koloski, Columbus; Spencer B. Murrell, Delaware, all of Ohio**

[73] Assignee: **Holophane Company, Inc., Newark, Ohio**

[**] Term: **14 Years**

[21] Appl. No.: **615,817**

[22] Filed: **Nov. 16, 1990**

[52] U.S. Cl. **D26/88; D26/130**

[58] Field of Search **362/147, 432, 362, 363, 362/404-408; D26/72, 80-92, 118, 128-137**

[56] References Cited

U.S. PATENT DOCUMENTS

- D. 68,109 9/1925 Millen D26/132
- D. 106,593 10/1937 Guth D26/88

- D. 240,320 6/1976 Anderson, Jr. D26/85
- 1,786,748 12/1930 Gillinder D26/88 X
- 2,129,335 9/1938 Poling 362/363

OTHER PUBLICATIONS

Holophane Illumination Brochure, 1987, p. 4, ceiling lamp.

Primary Examiner—Susan J. Lucas

Attorney, Agent, or Firm—Brooks & Kushman

[57] CLAIM

The ornamental design for a suspended luminaire, as shown and described.

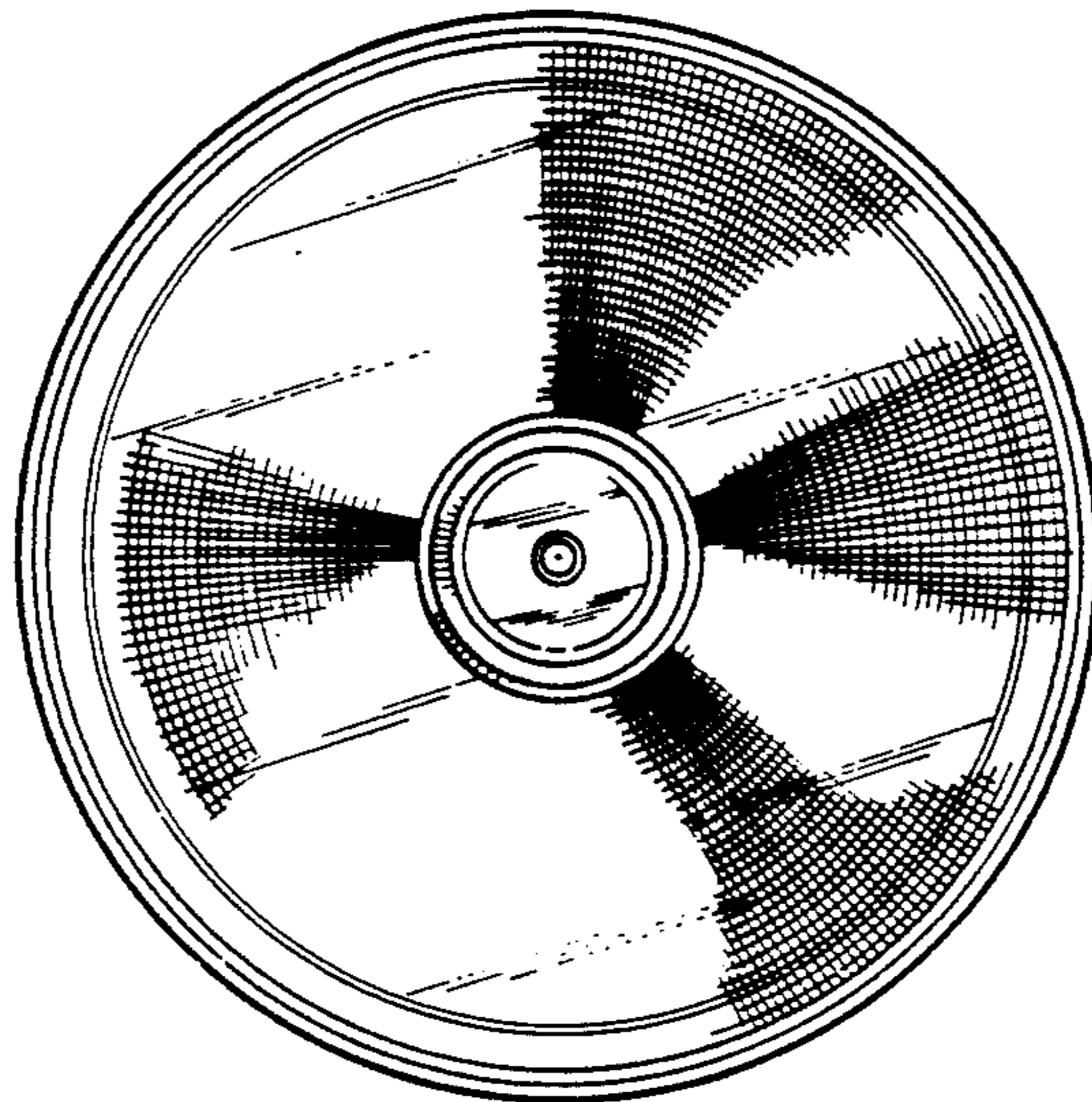
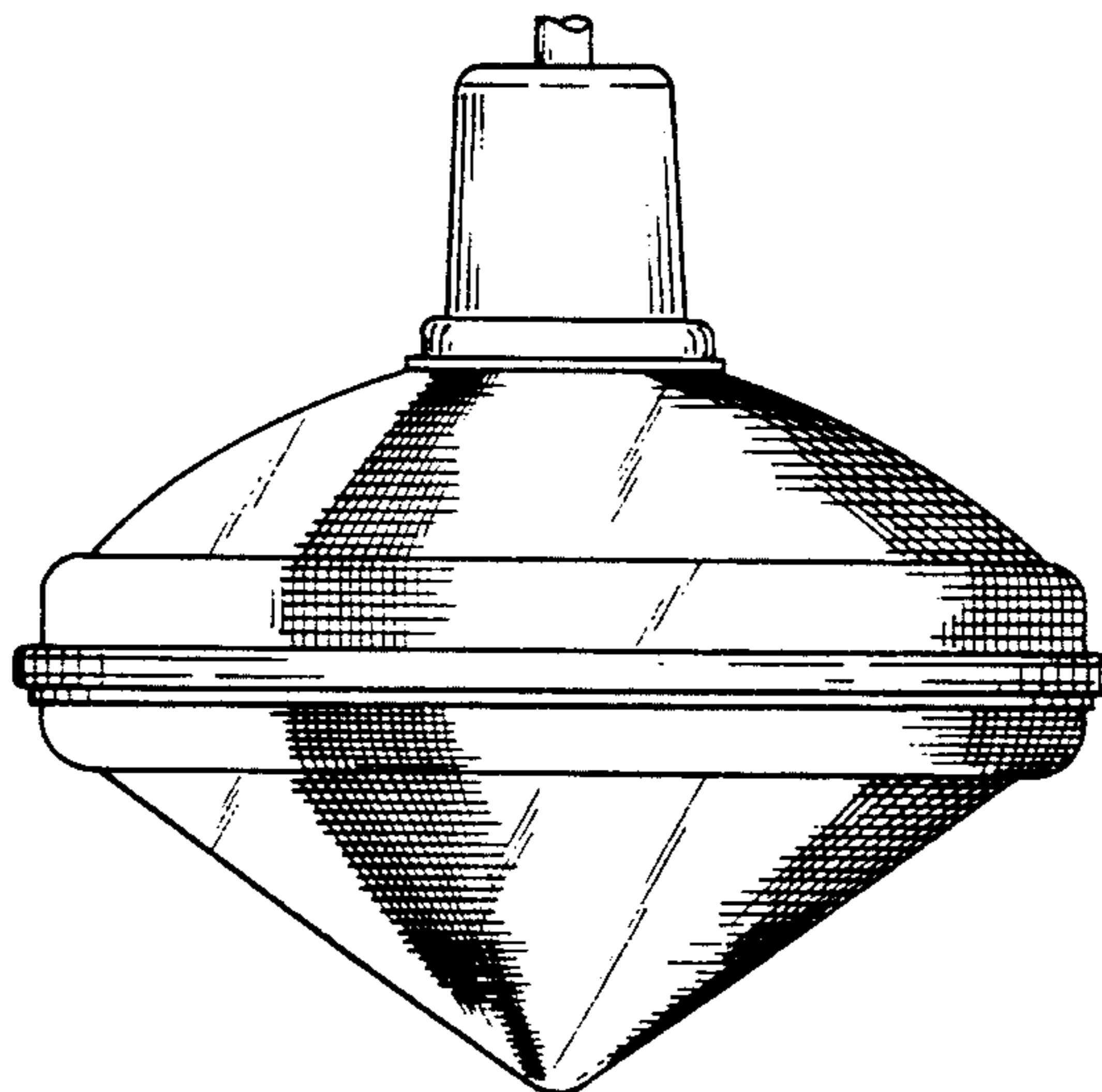
DESCRIPTION

FIG. 1 is a top perspective view of a suspended luminaire showing our new design;

FIG. 2 is a side elevational view thereof;

FIG. 3 is a top plan view thereof, all sides being identical; and,

FIG. 4 is a bottom plan view thereof.



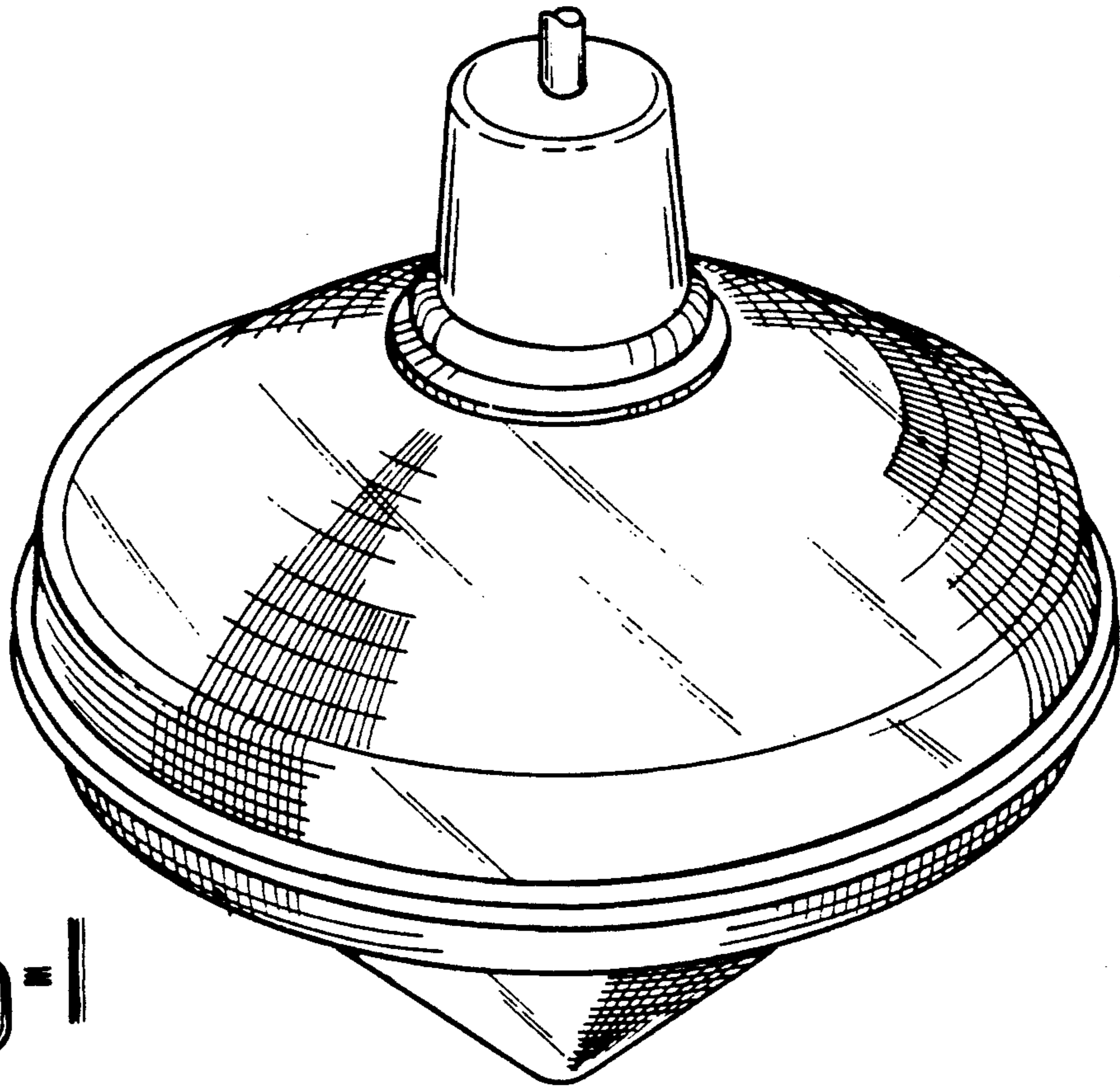


fig-1

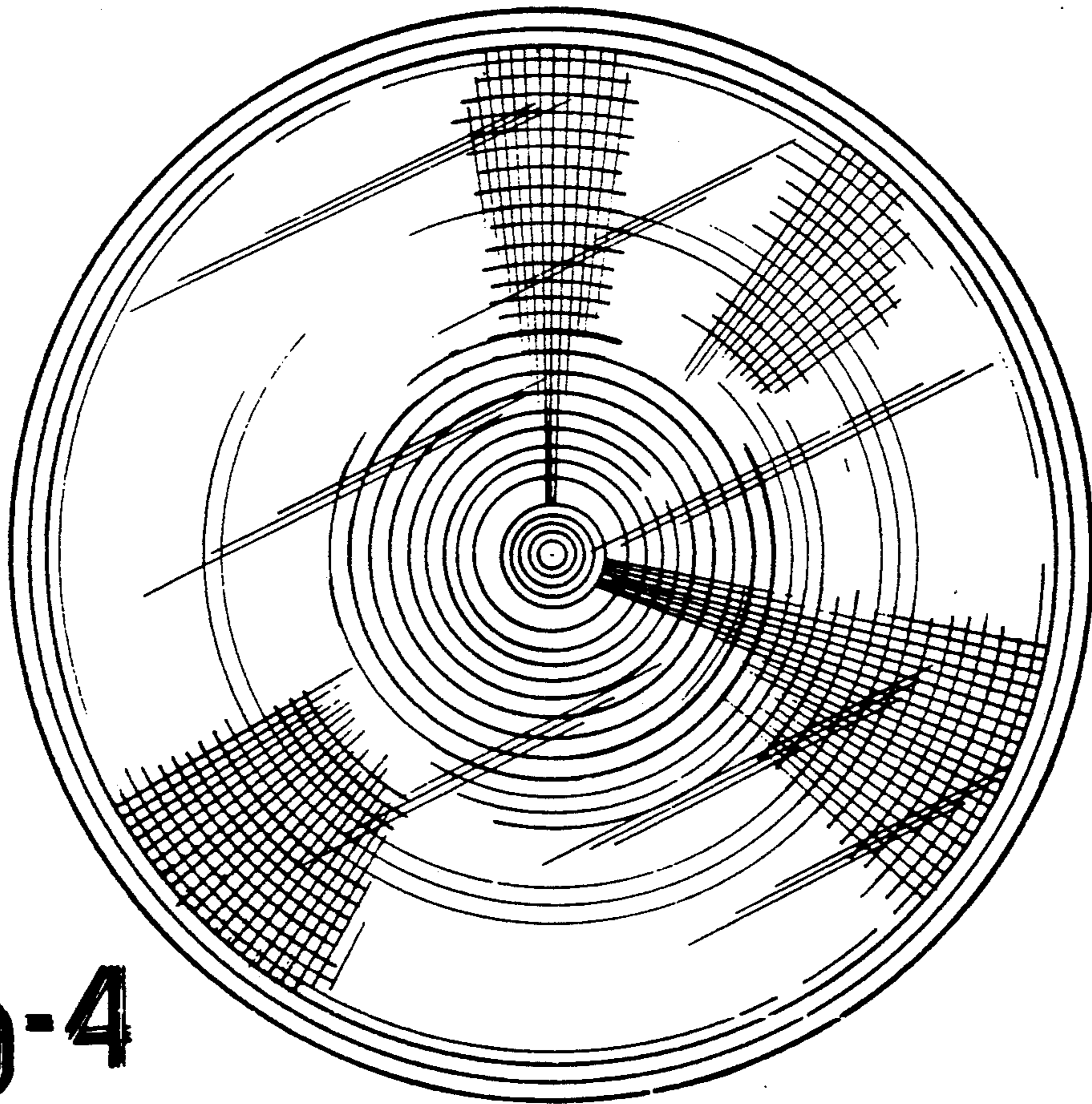
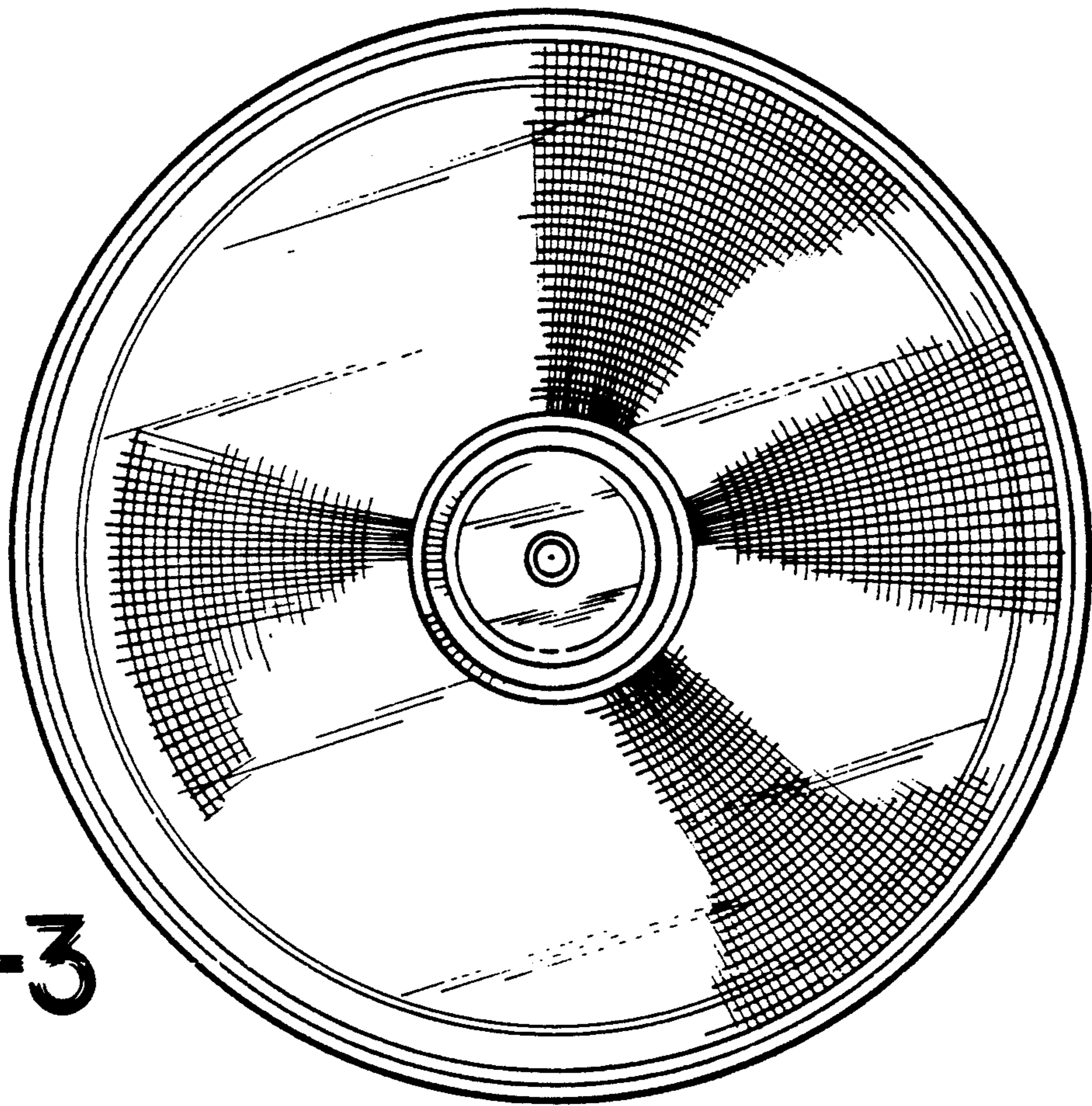


fig-4



9-3

UNITED STATES PATENT AND TRADEMARK OFFICE
CERTIFICATE OF CORRECTION

PATENT NO. : Des. 343,245
DATED : January 11, 1994
INVENTOR(S) : Herbert A. Fouke et al.

Page 1 of 2

It is certified that error appears in the above-identified patent and that said Letters Patent is hereby corrected as shown below:

Sheet 2 of 2 of the drawings should be deleted to appear as per attached consisting of Figures 2 and 3.

Signed and Sealed this
Fourth Day of July, 1995



BRUCE LEHMAN

Attest:

Attesting Officer

Commissioner of Patents and Trademarks

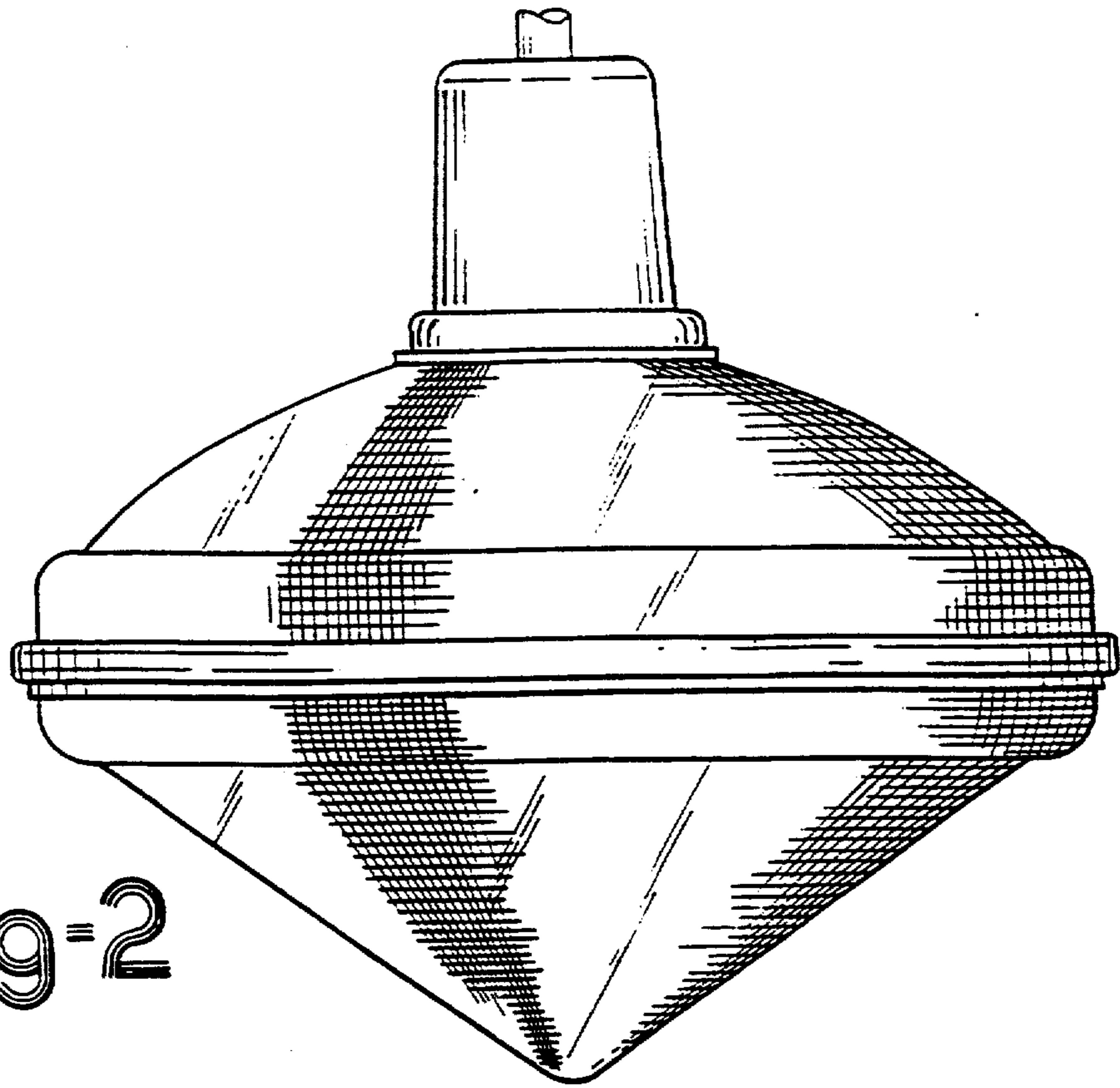


Fig-2

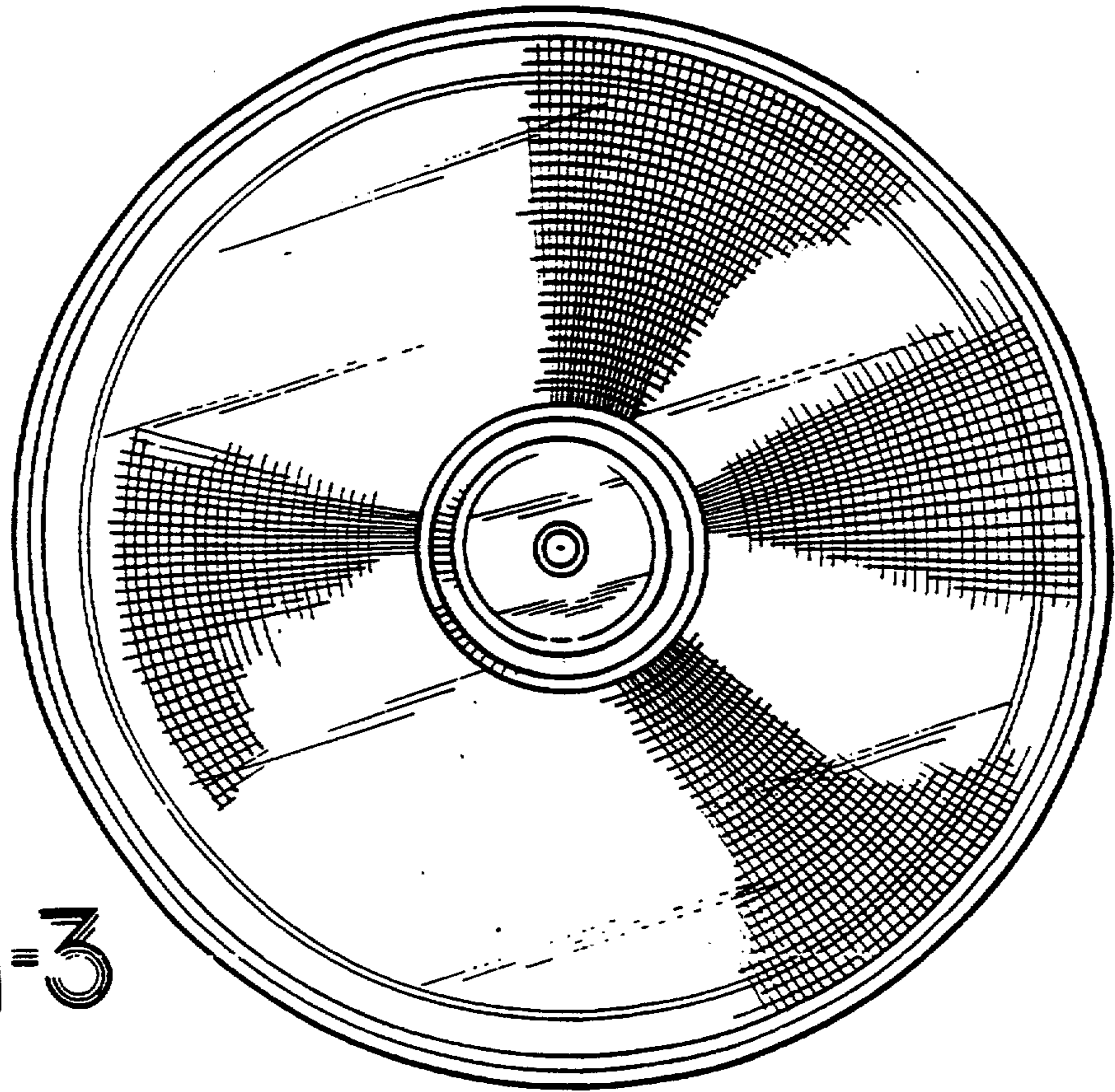


Fig-3