



US00D343242S

United States Patent [19]
Poon

[11] **Patent Number: Des. 343,242**

[45] **Date of Patent: ** Jan. 11, 1994**

[54] **FLUORESCENT LANTERN**

[75] **Inventor: Tit W. Poon, Chai Wan, Hong Kong**

[73] **Assignee: Flying Dragon Development Limited, Chai Wan, Hong Kong**

[**] **Term: 14 Years**

[21] **Appl. No.: 885,225**

[22] **Filed: May 20, 1992**

[52] **U.S. Cl. D26/42**

[58] **Field of Search 362/157, 158, 183-202; D26/37-50**

[56] **References Cited**

U.S. PATENT DOCUMENTS

- D. 311,964 11/1990 Wan D26/40
- D. 312,317 11/1990 Tang D26/42

- D. 334,437 3/1993 Poon D26/42
- D. 533,910 12/1950 Barr D26/40 X
- 4,663,697 5/1987 Stearns et al. 362/184

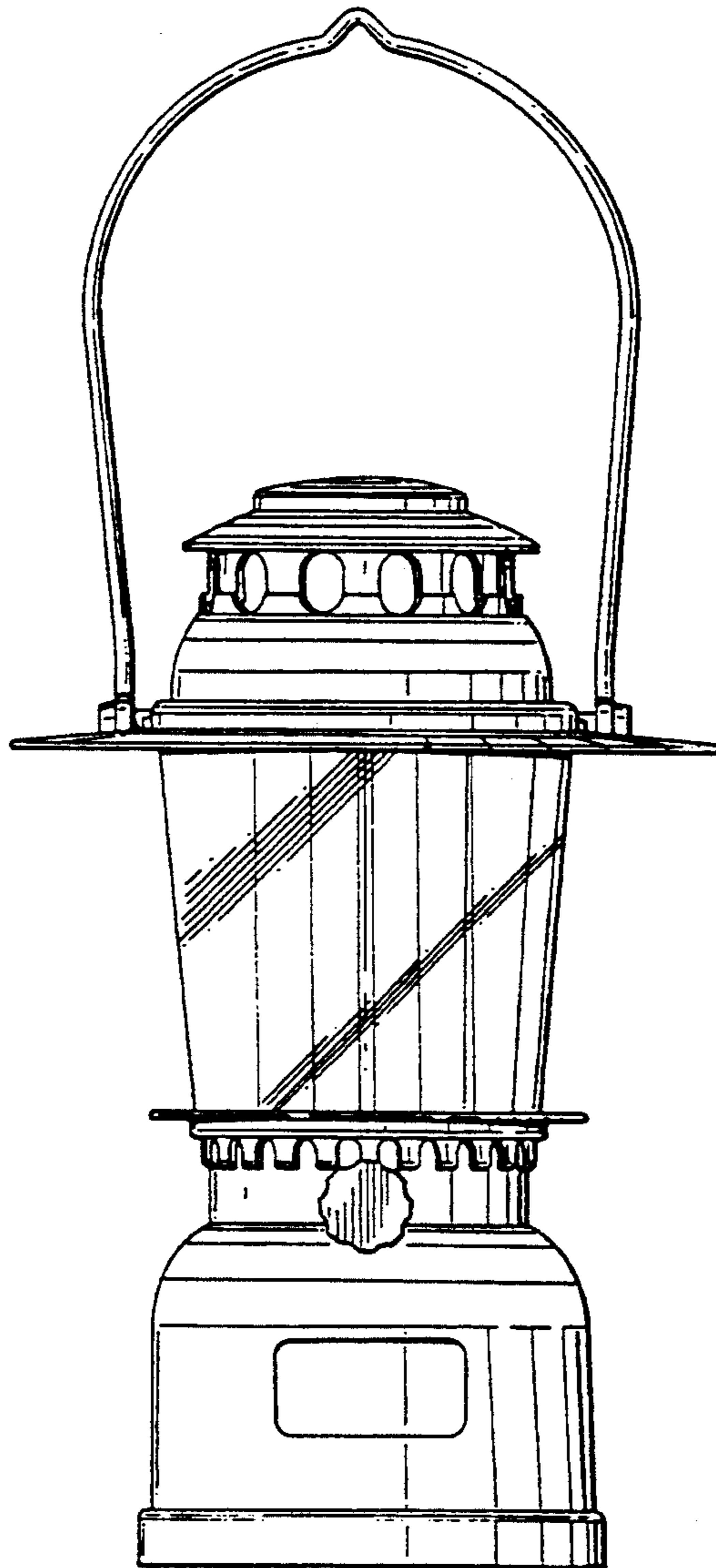
Primary Examiner—Susan J. Lucas
Attorney, Agent, or Firm—Nikaido, Marmelstein, Murray & Oram

[57] **CLAIM**

The ornamental design for a fluorescent lantern, as shown.

DESCRIPTION

FIG. 1 is a front view of the fluorescent lantern;
 FIG. 2 is a rear view thereof;
 FIG. 3 is a side view thereof;
 FIG. 4 is a view of the opposite side thereof;
 FIG. 5 is a top view thereof;
 FIG. 6 is a bottom view; and,
 FIG. 7 is a perspective view from the top thereof.



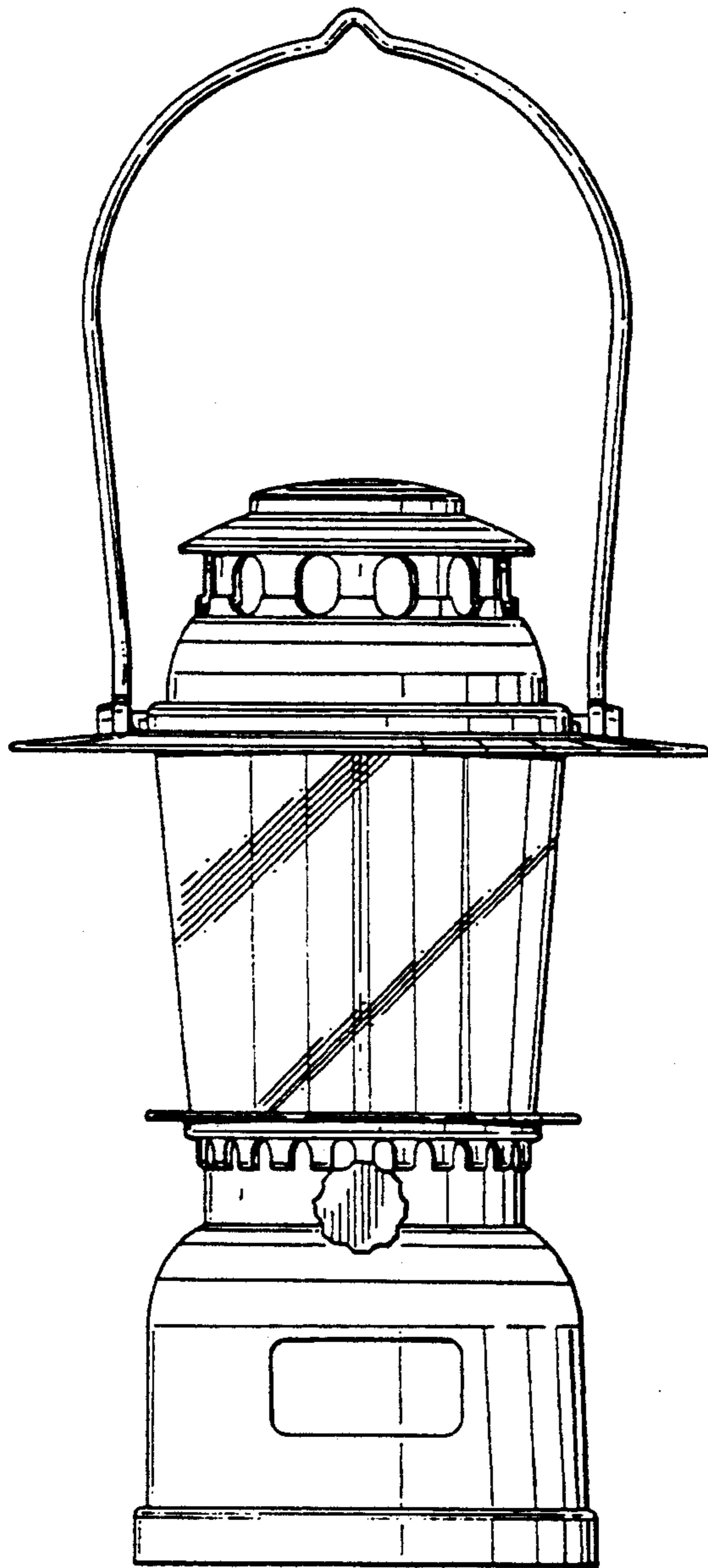


FIG. 1

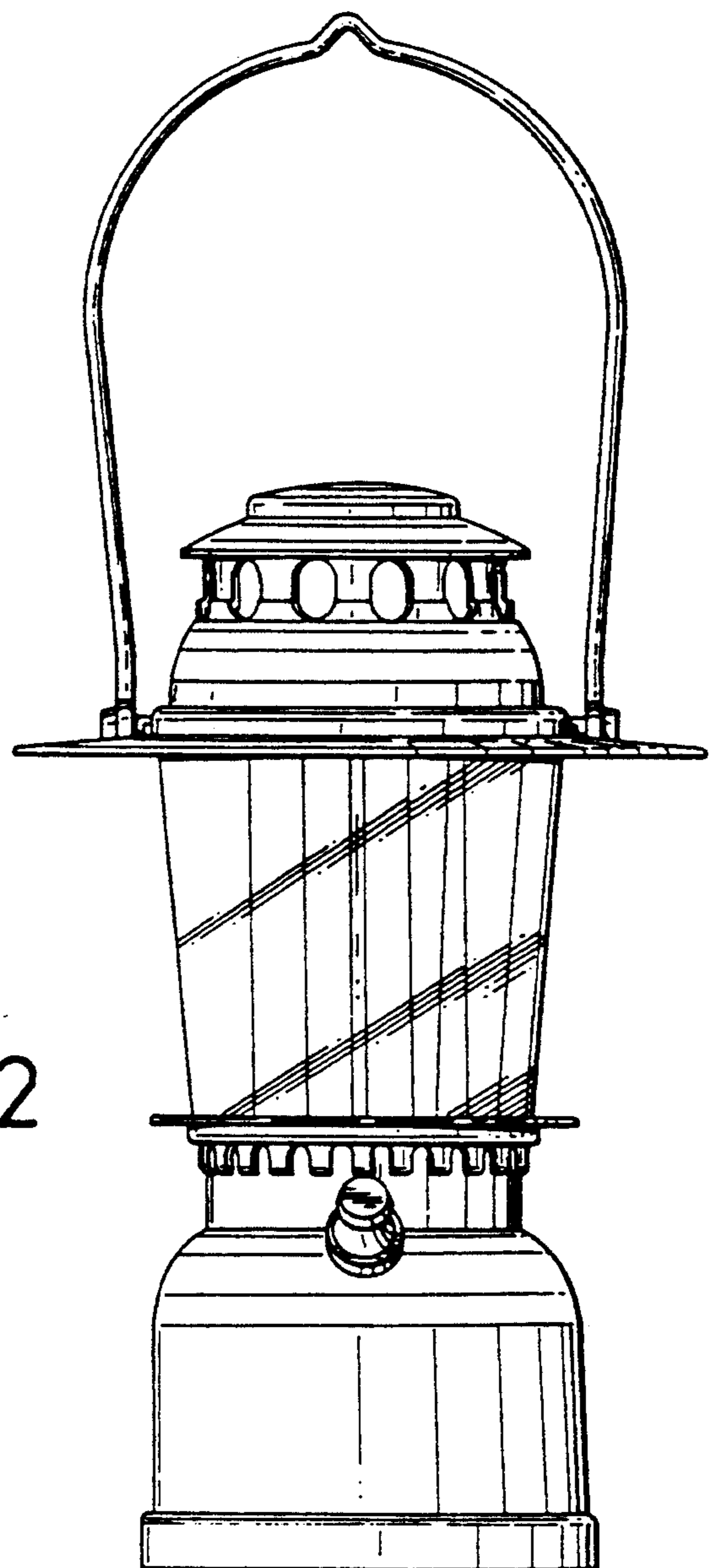


FIG. 2

FIG. 3

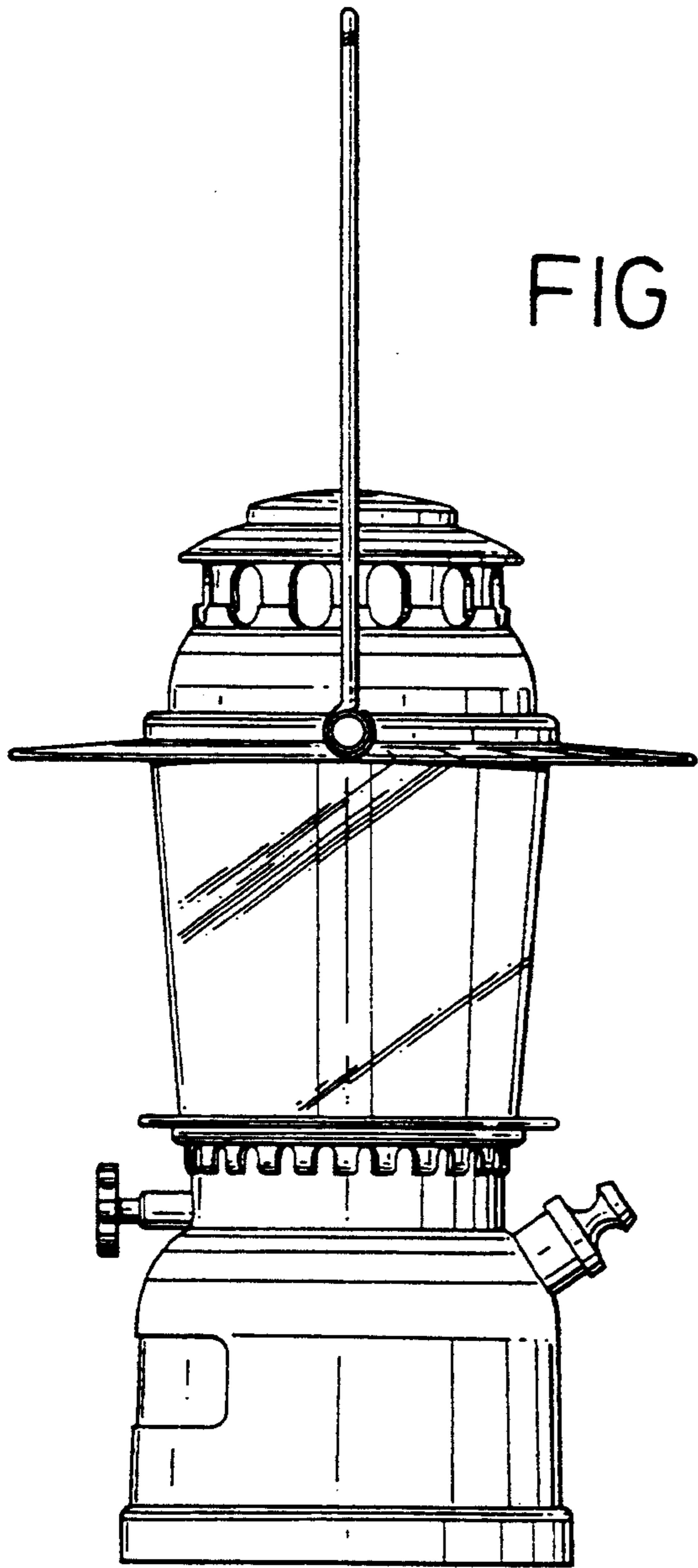


FIG. 4

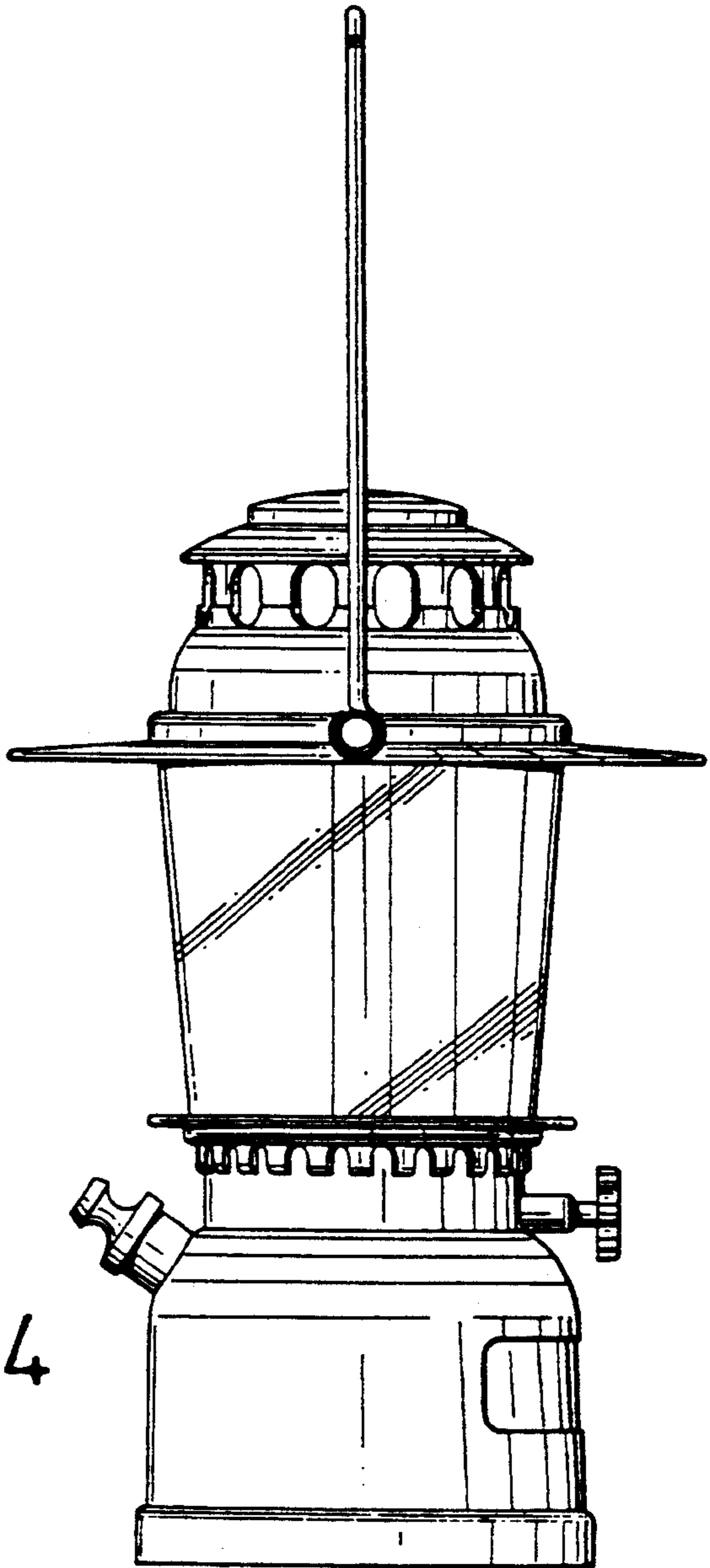


FIG. 5

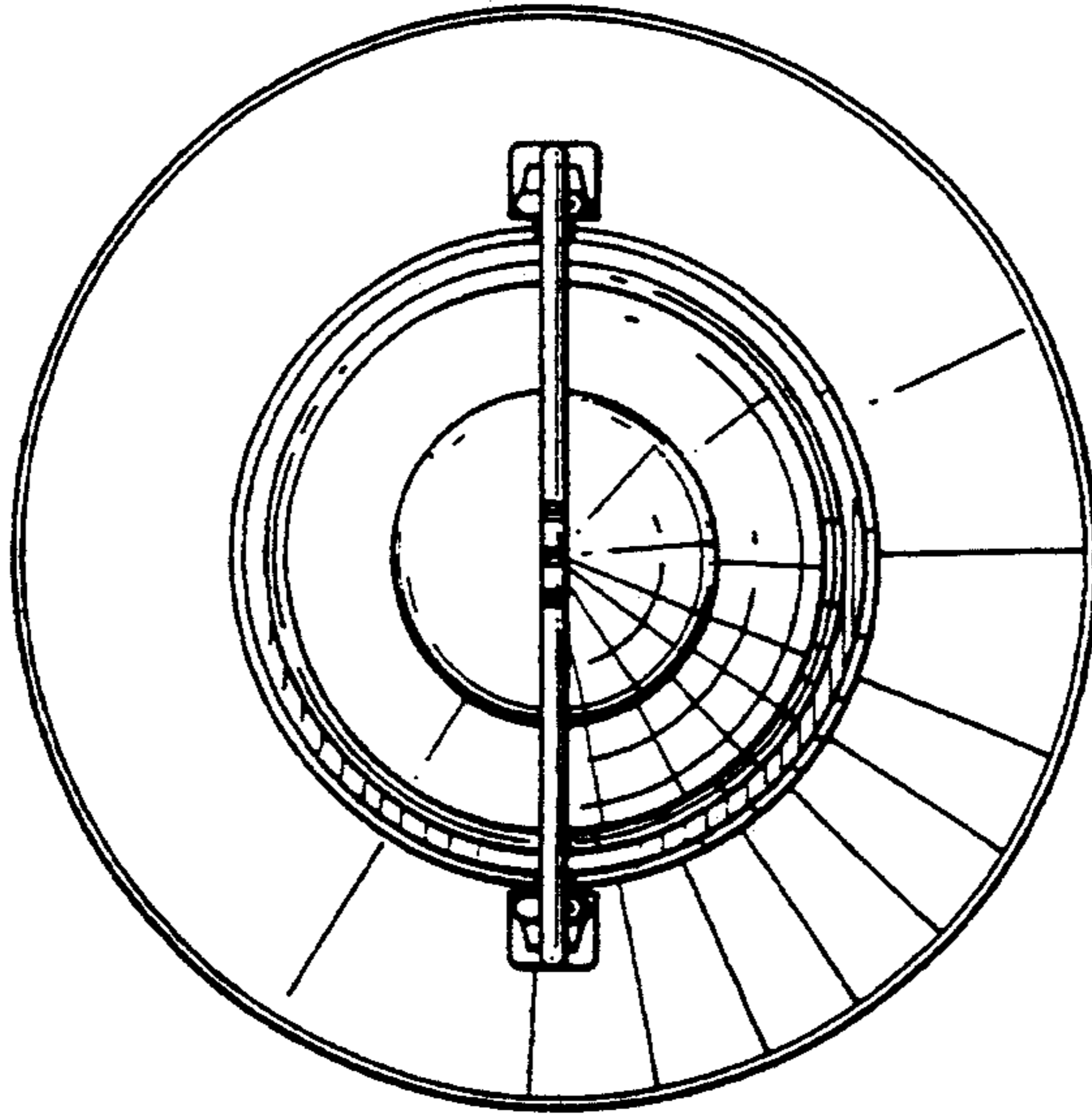


FIG. 6

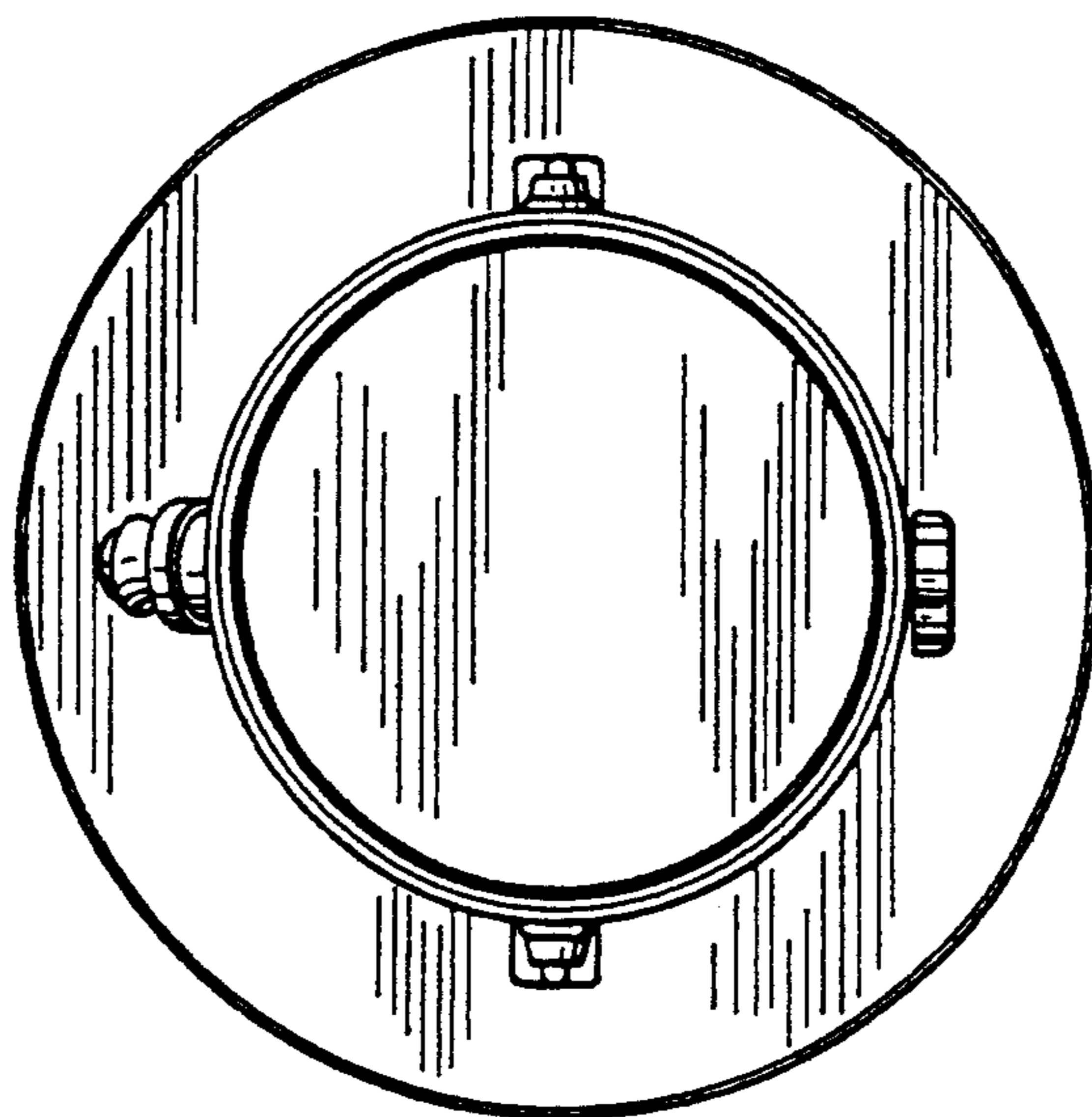


FIG. 7

