



US00D343241S

United States Patent [19]

Baader et al.

[11] Patent Number: **Des. 343,241**

[45] Date of Patent: **** Jan. 11, 1994**

[54] **AUXILIARY VEHICLE WARNING LIGHT**

5,089,939 2/1992 Baader 362/61

[76] Inventors: **Joseph E. Baader**, 333 Holiday Dr.;
Edward J. Baader, 232 Stephen La.,
both of Springfield, Ohio 45505

Primary Examiner—Susan J. Lucas
Attorney, Agent, or Firm—David H. Semmes

[**] Term: **14 Years**

[57] **CLAIM**

[21] Appl. No.: **915,963**

The ornamental design for auxiliary vehicle warning light, as shown and described.

[22] Filed: **Jul. 21, 1992**

DESCRIPTION

[52] U.S. Cl. **D26/36**

[58] Field of Search 362/61, 80, 80.1, 83.3,
362/359; D26/28-36, 118, 139

FIG. 1 is a front elevation of our design for an auxiliary vehicle warning light;

FIG. 2 is a top plan;

FIG. 3 is a bottom plan;

FIG. 4 is a side elevation, the opposite side being a mirror image;

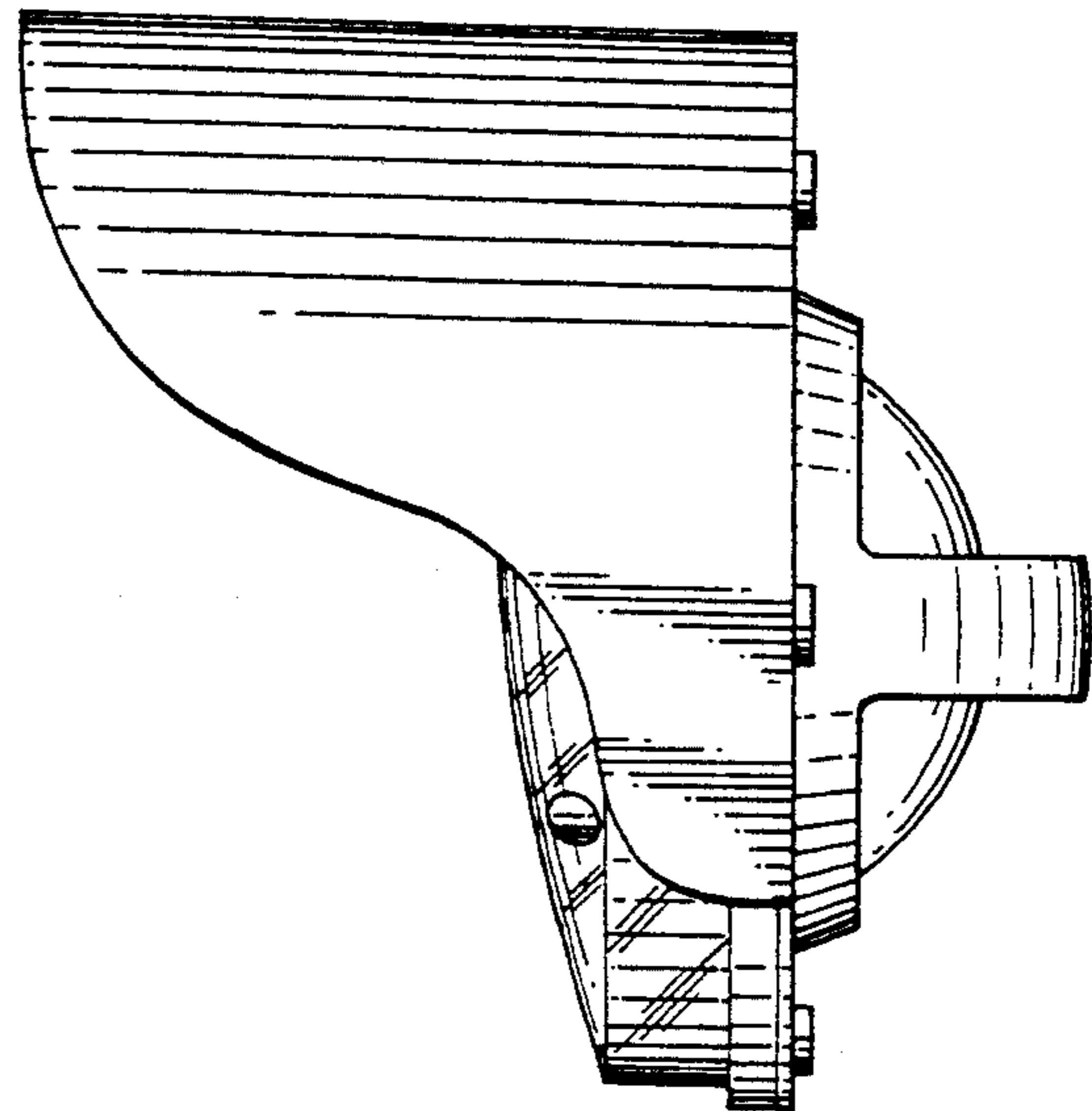
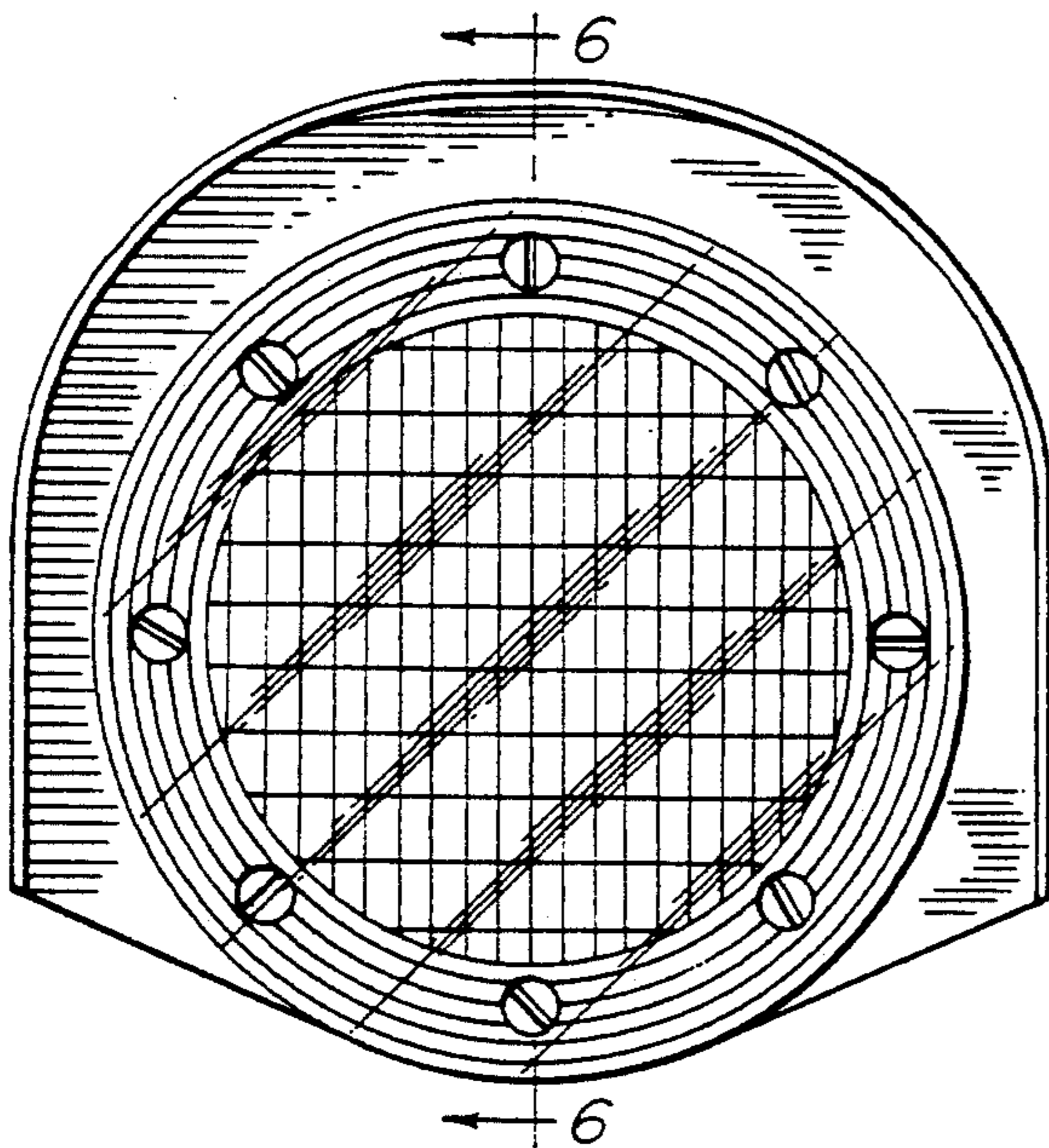
FIG. 5 is a rear elevation; and,

FIG. 6 is a fragmentary side elevation, partially in vertical section.

[56] **References Cited**

U.S. PATENT DOCUMENTS

D. 310,424	9/1990	Baader	D26/35
2,442,504	6/1948	Miller	362/359 X
2,651,028	9/1953	Dupree, Jr.	362/80 X



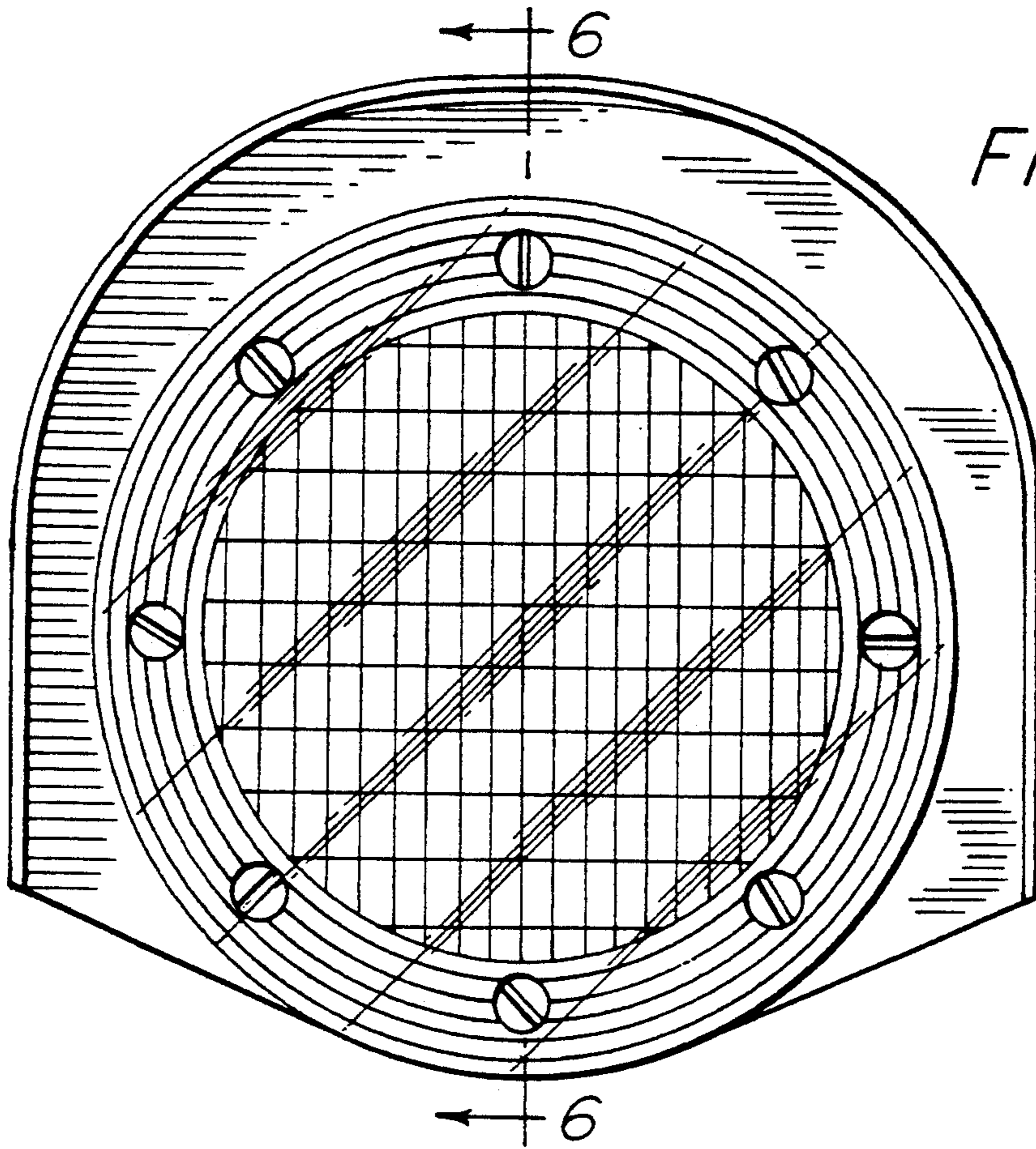


FIG. 1

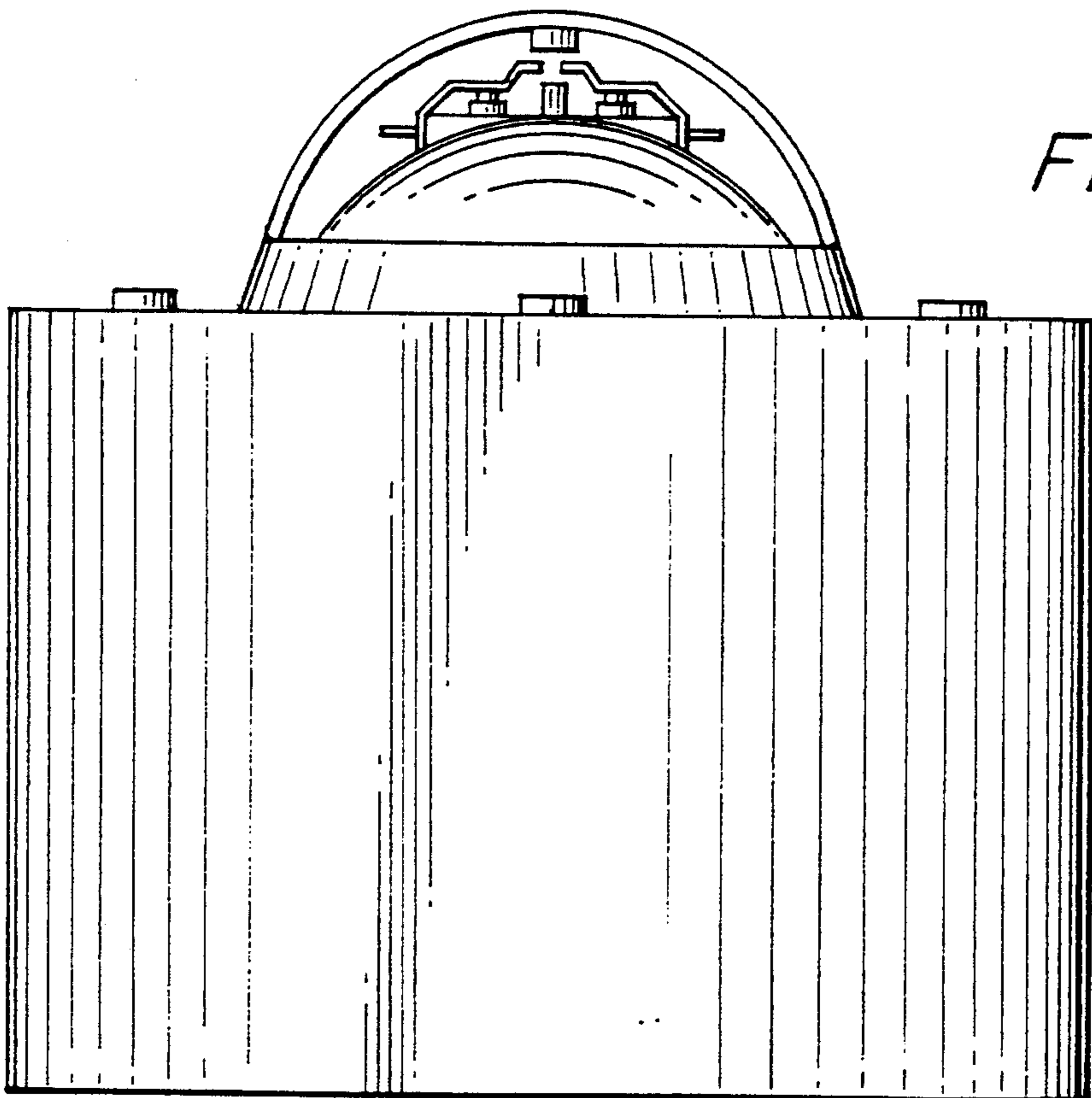


FIG. 2

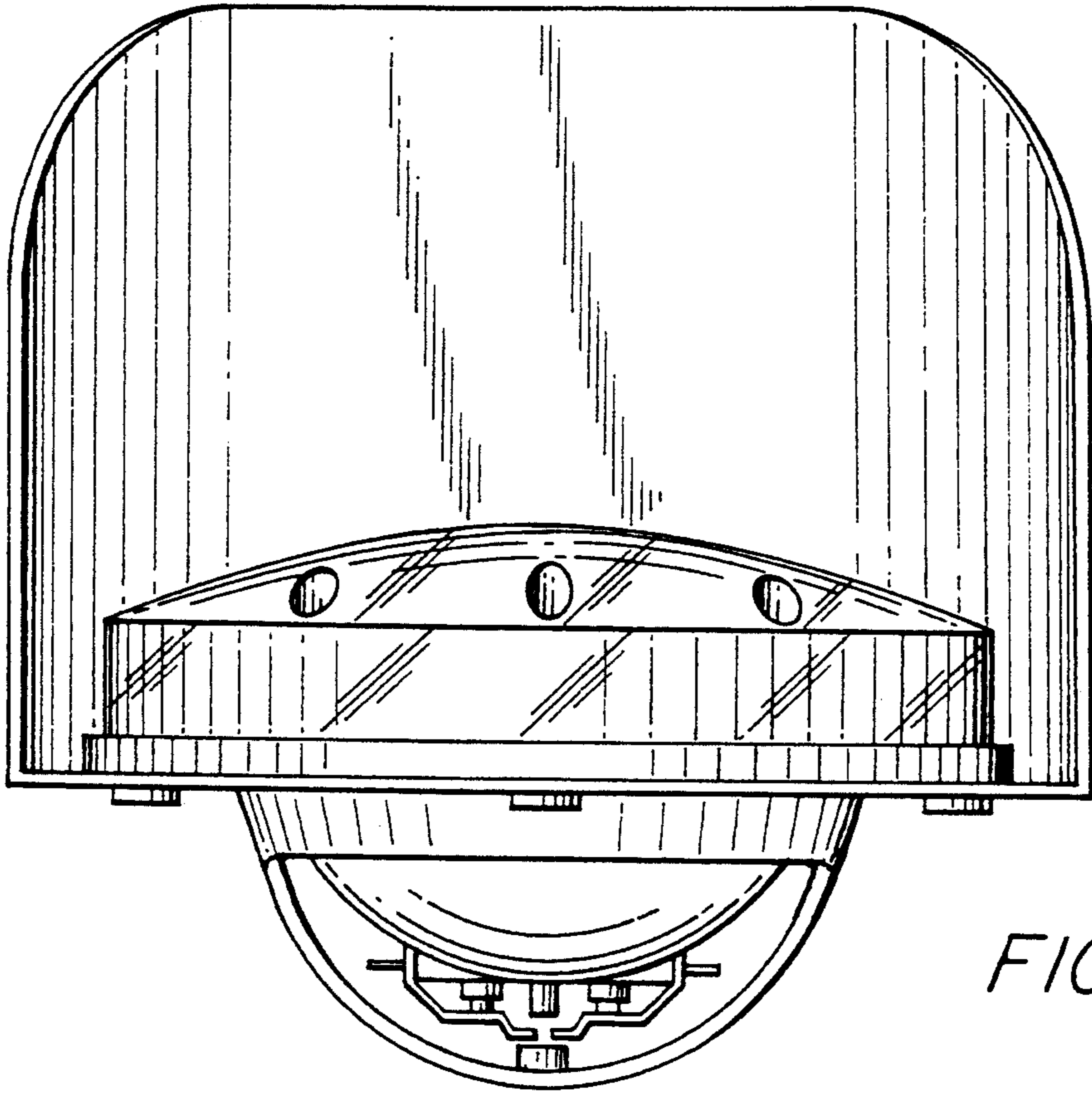


FIG. 3

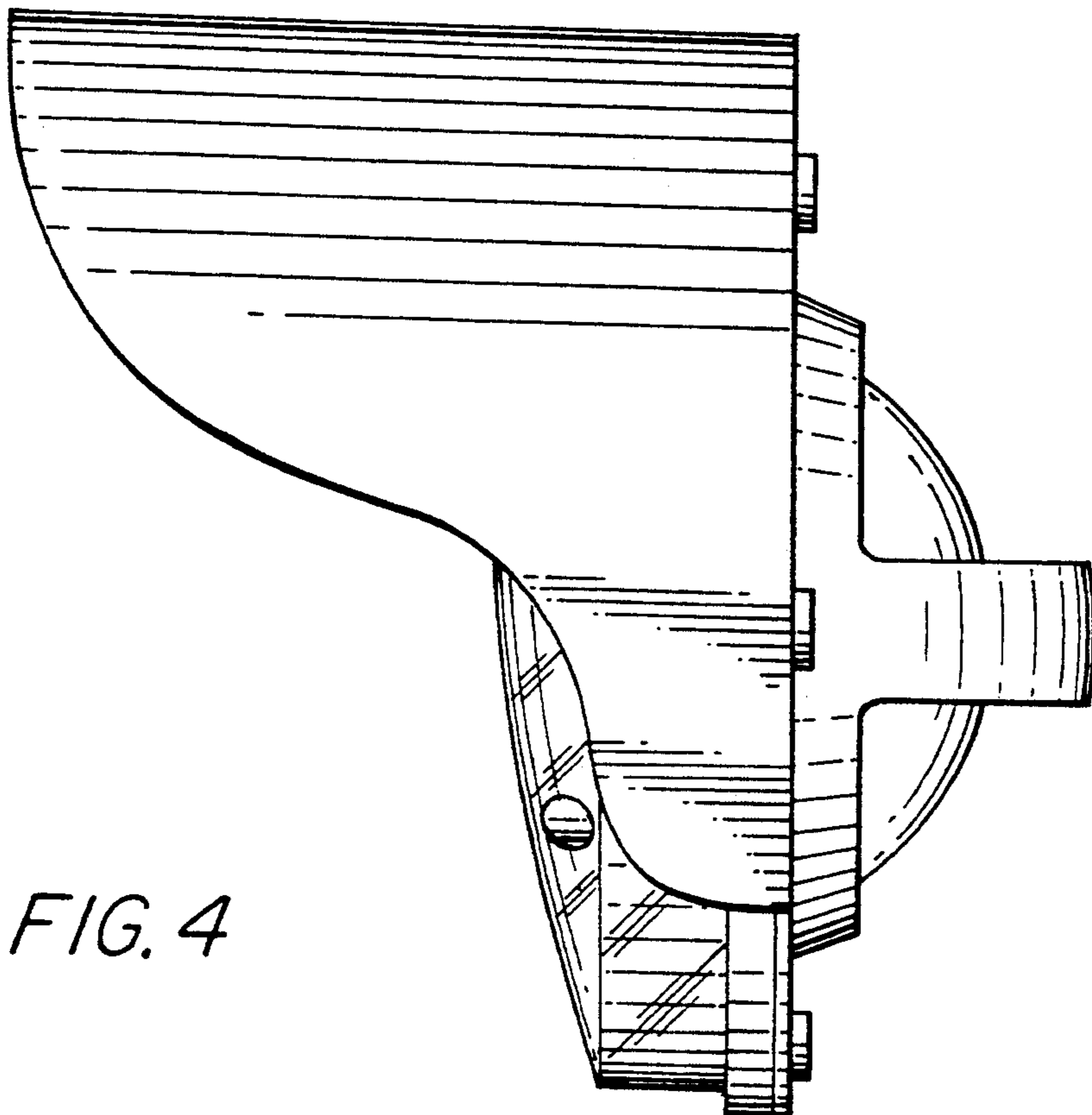


FIG. 4

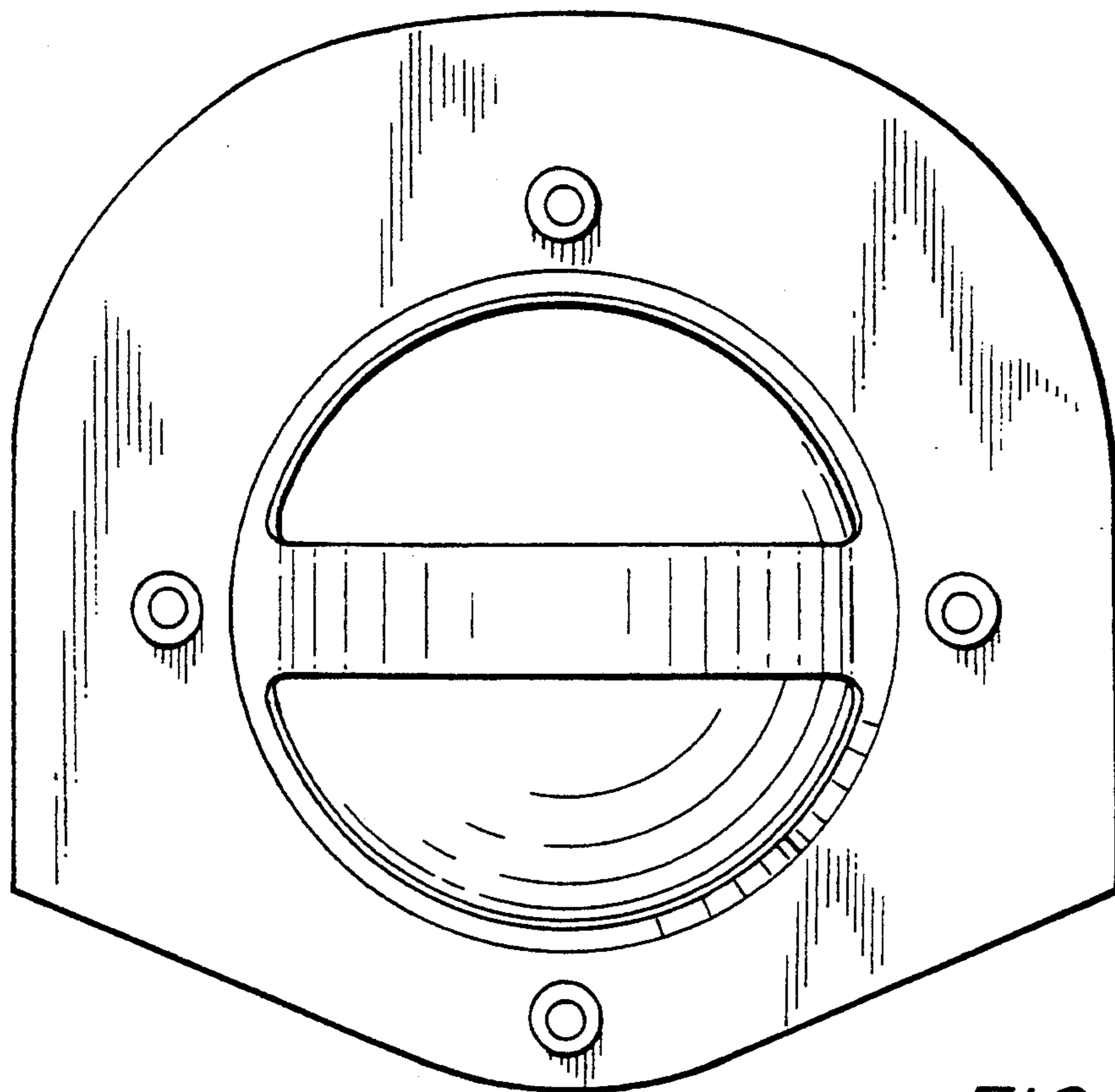


FIG. 5

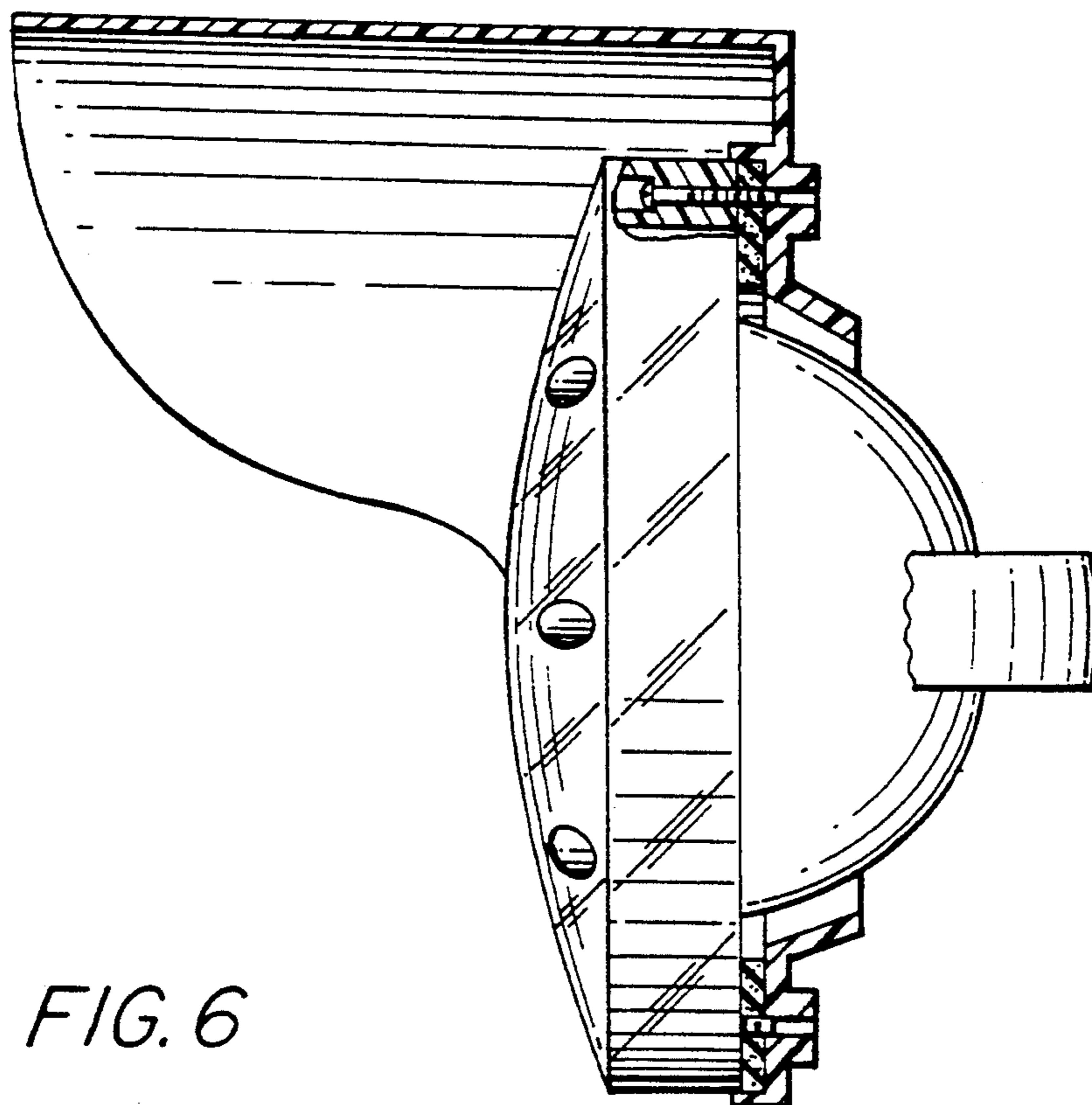


FIG. 6