



US00D343240S

United States Patent [19]

[11] Patent Number: **Des. 343,240**

Kane

[45] Date of Patent: **** Jan. 11, 1994**

[54] LIQUID CANDLE SNUFFER

[75] Inventor: **Richard J. Kane, Middlesex, N.J.**

[73] Assignee: **Standex International Corporation, Salem, N.H.**

[**] Term: **14 Years**

[21] Appl. No.: **855,333**

[22] Filed: **Mar. 17, 1992**

[52] U.S. Cl. **D26/23; D29/2**

[58] Field of Search **431/33, 34, 35, 289, 431/290, 293, 144, 146; D29/2; D26/23; 431/33, 34, 35, 289, 290, 293, 144, 146**

[56] References Cited

U.S. PATENT DOCUMENTS

- D. 305,264 12/1989 Bengtsson et al. D26/23
- D. 310,127 8/1990 Johnsson D26/23
- 924,654 6/1909 Fox 431/146

FOREIGN PATENT DOCUMENTS

208899 1/1924 United Kingdom 431/35

Primary Examiner—Wallace R. Burke
Assistant Examiner—Robin Taylor
Attorney, Agent, or Firm—Fishman, Dionne & Cantor

[57] CLAIM

The ornamental design for liquid candle snuffer, as shown and described.

DESCRIPTION

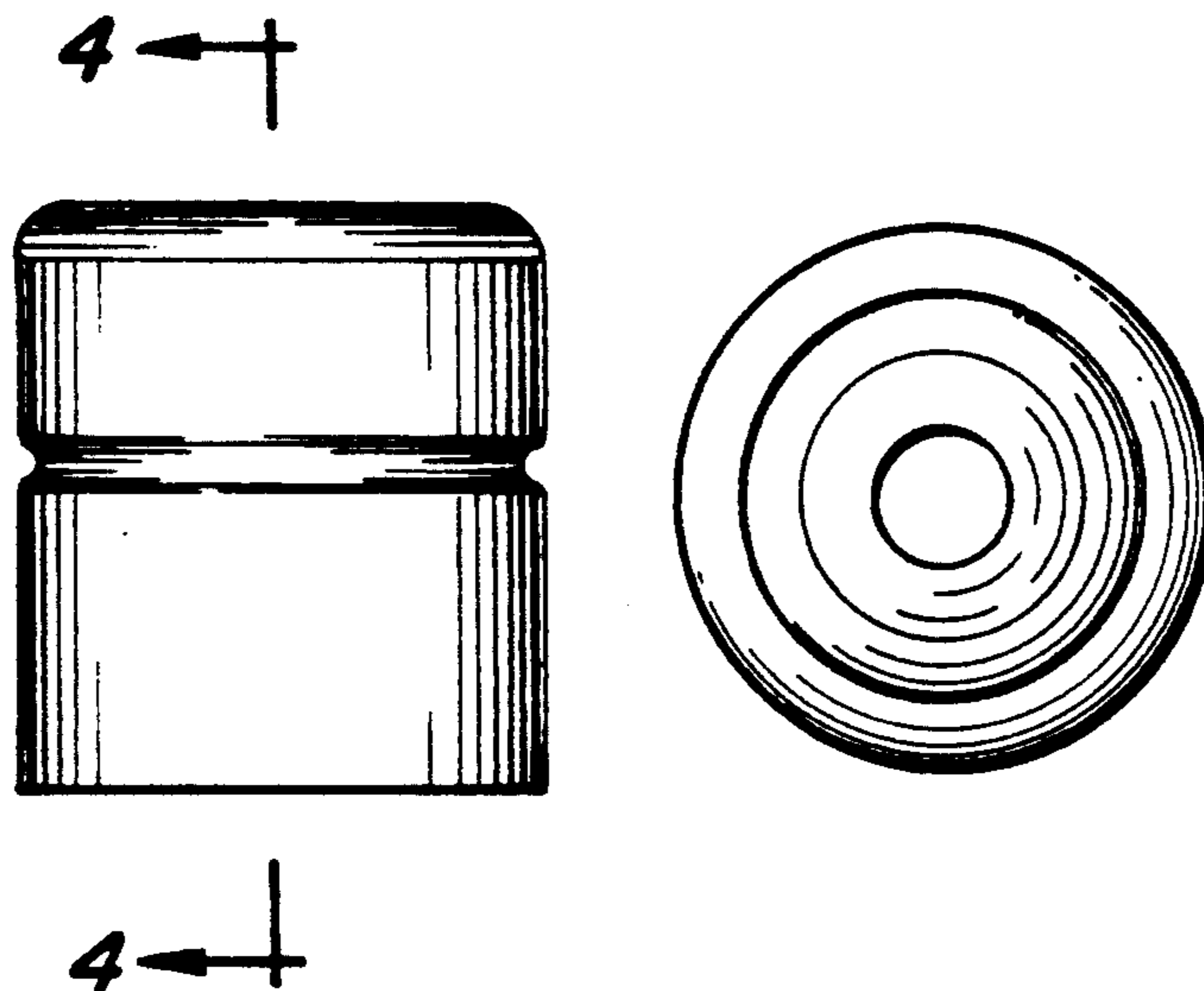
FIG. 1 is a front elevation view of my new design for a liquid candle snuffer;

FIG. 2 is a top view thereof;

FIG. 3 is a bottom view thereof; and,

FIG. 4 is a section view thereof taken along the line 4—4 of FIG. 1 wherein a liquid candle is shown in phantom.

The broken line showing of liquid candle is for illustrative purposes only and forms no part of the claimed design.



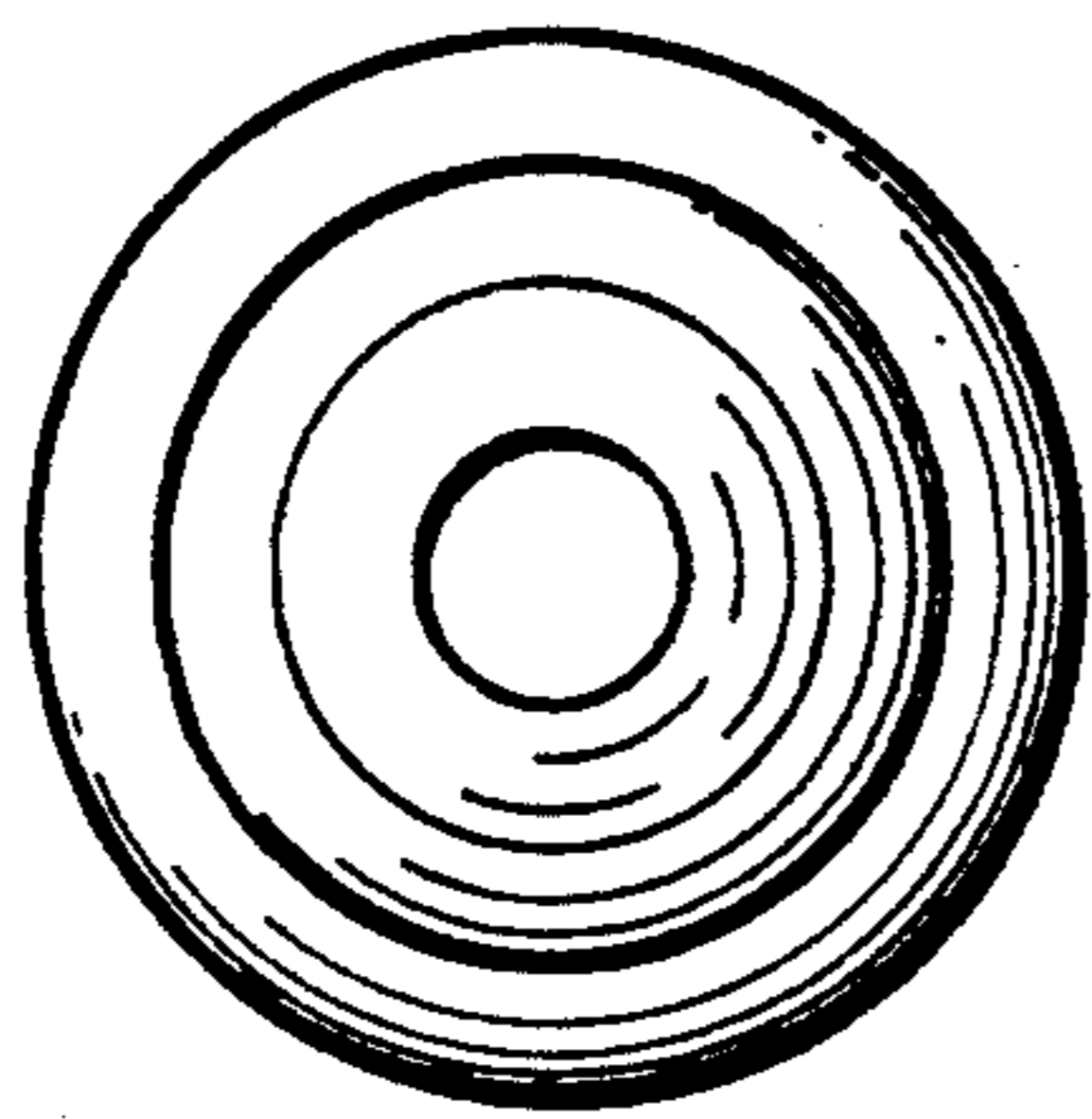


FIG. 2

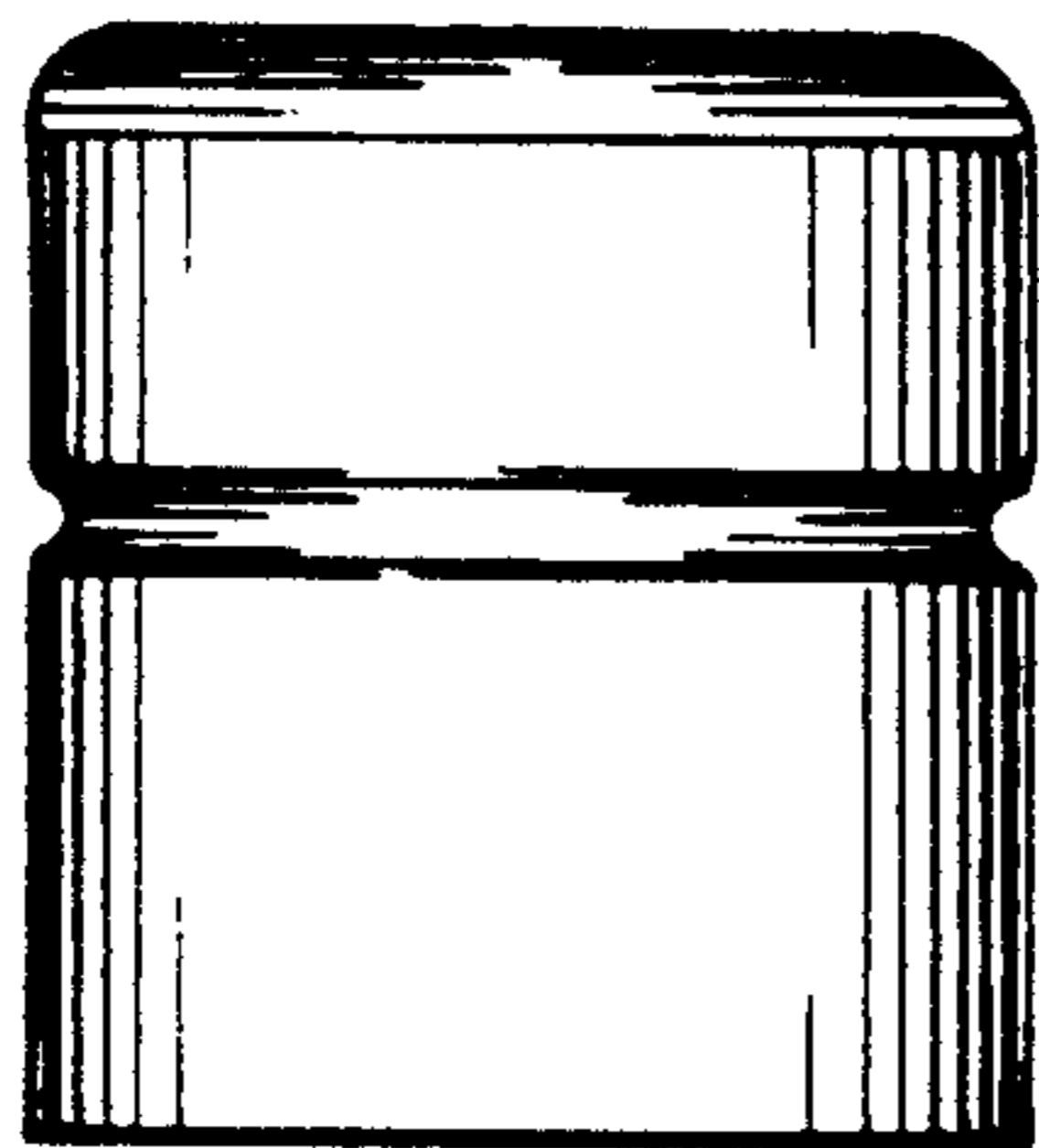
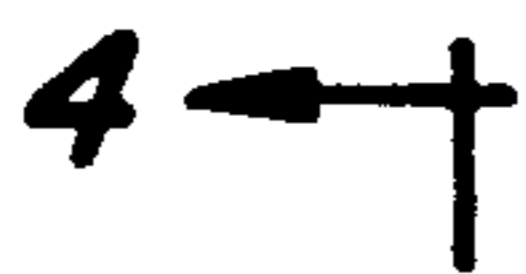


FIG. 1

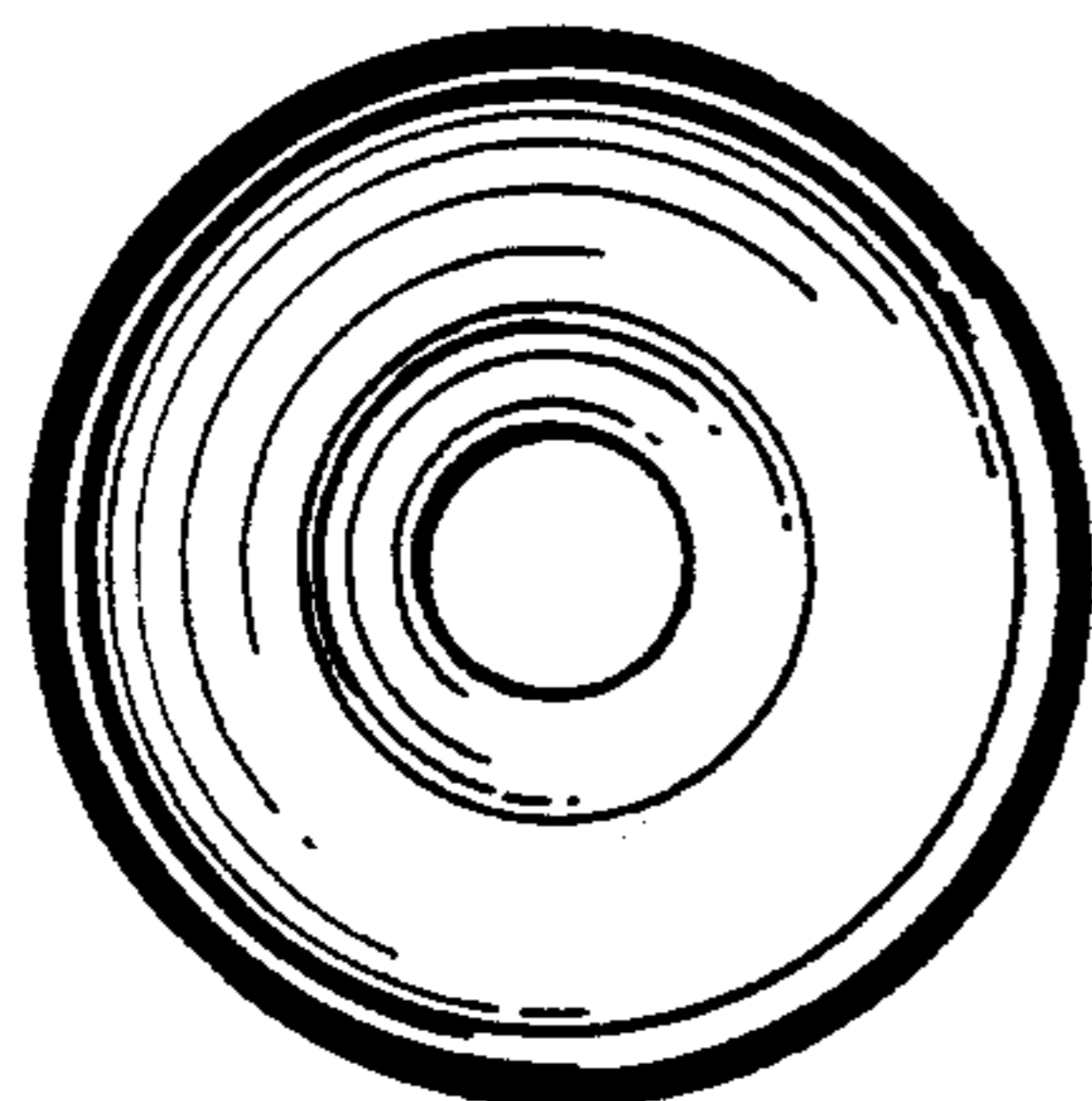


FIG. 3

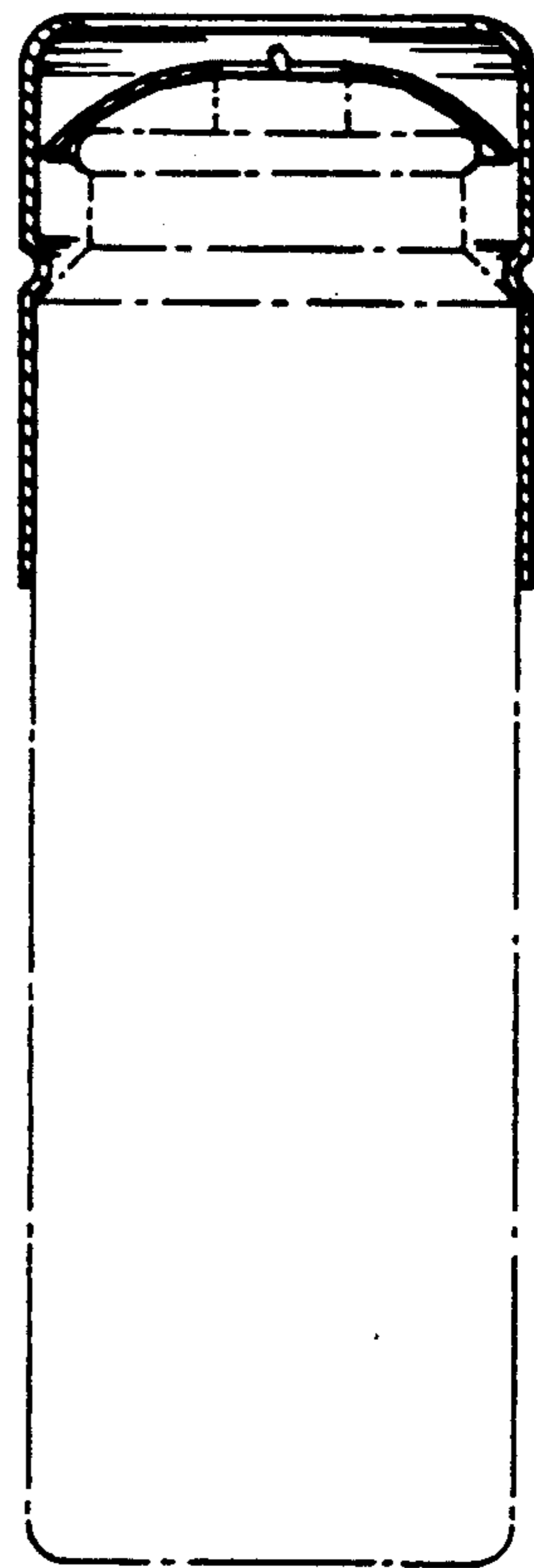


FIG. 4