



US00D343228S

# United States Patent [19] Colin

[11] Patent Number: **Des. 343,228**

[45] Date of Patent: **\*\* Jan. 11, 1994**

- [54] **DRAIN INLET FOR DRAINING A SWIMMING POOL COVER**
- [75] Inventor: **George M. Colin, Dana Point, Calif.**
- [73] Assignee: **Odyssey Systems, Ltd., San Clemente, Calif.**
- [\*\*] Term: **14 Years**
- [21] Appl. No.: **693,404**
- [22] Filed: **Apr. 29, 1991**
- [52] U.S. Cl. .... **D23/261**
- [58] Field of Search ..... **4/488, 490, 494, 496, 4/507; 210/146, 169; D23/209, 260, 261**

1,202,723	10/1916	Jackson	.....	4/291
3,036,712	5/1962	Barbara	.....	4/490 X
4,658,449	4/1987	Martin	.....	4/496
4,683,599	8/1987	Reif	.....	4/490
4,853,984	8/1989	Celiano	.....	4/496

*Primary Examiner*—James R. Largen  
*Attorney, Agent, or Firm*—Roth & Goldman

[57] **CLAIM**

The ornamental design for a drain inlet for draining a swimming pool cover, as shown.

**DESCRIPTION**

FIG. 1 is a perspective view, taken from the top, front and right side, of a drain inlet for draining a swimming pool cover, showing my new design;  
FIG. 2 is a top plan view thereof;  
FIG. 3 is a front elevational view thereof;  
FIG. 4 is a bottom plan view thereof; and,  
FIG. 5 is a rear elevational view thereof.

- [56] **References Cited**
- U.S. PATENT DOCUMENTS**
- D. 286,319 10/1986 Mathis ..... D23/261
- D. 319,295 8/1991 Ohaus ..... D23/261

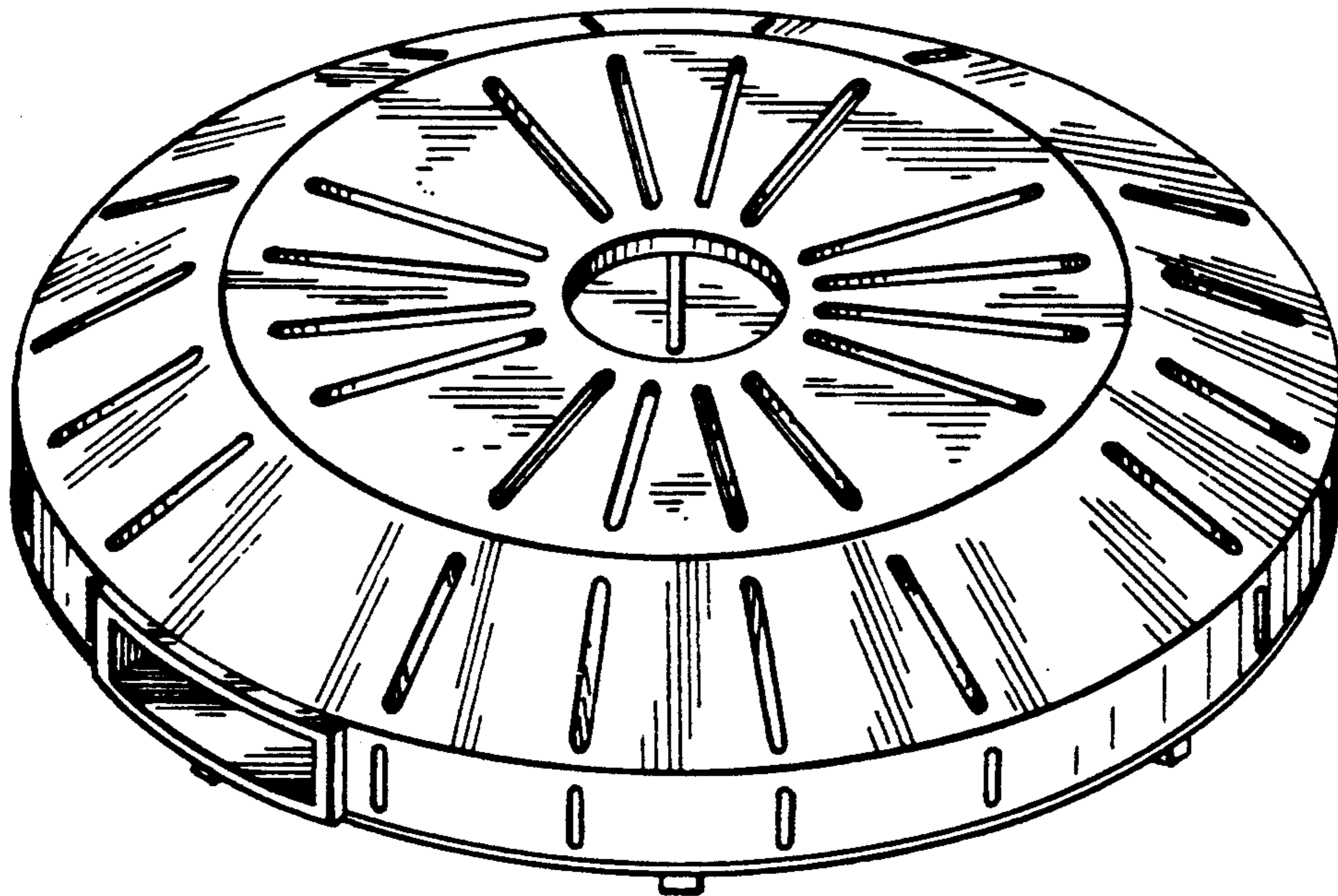


FIG. 1

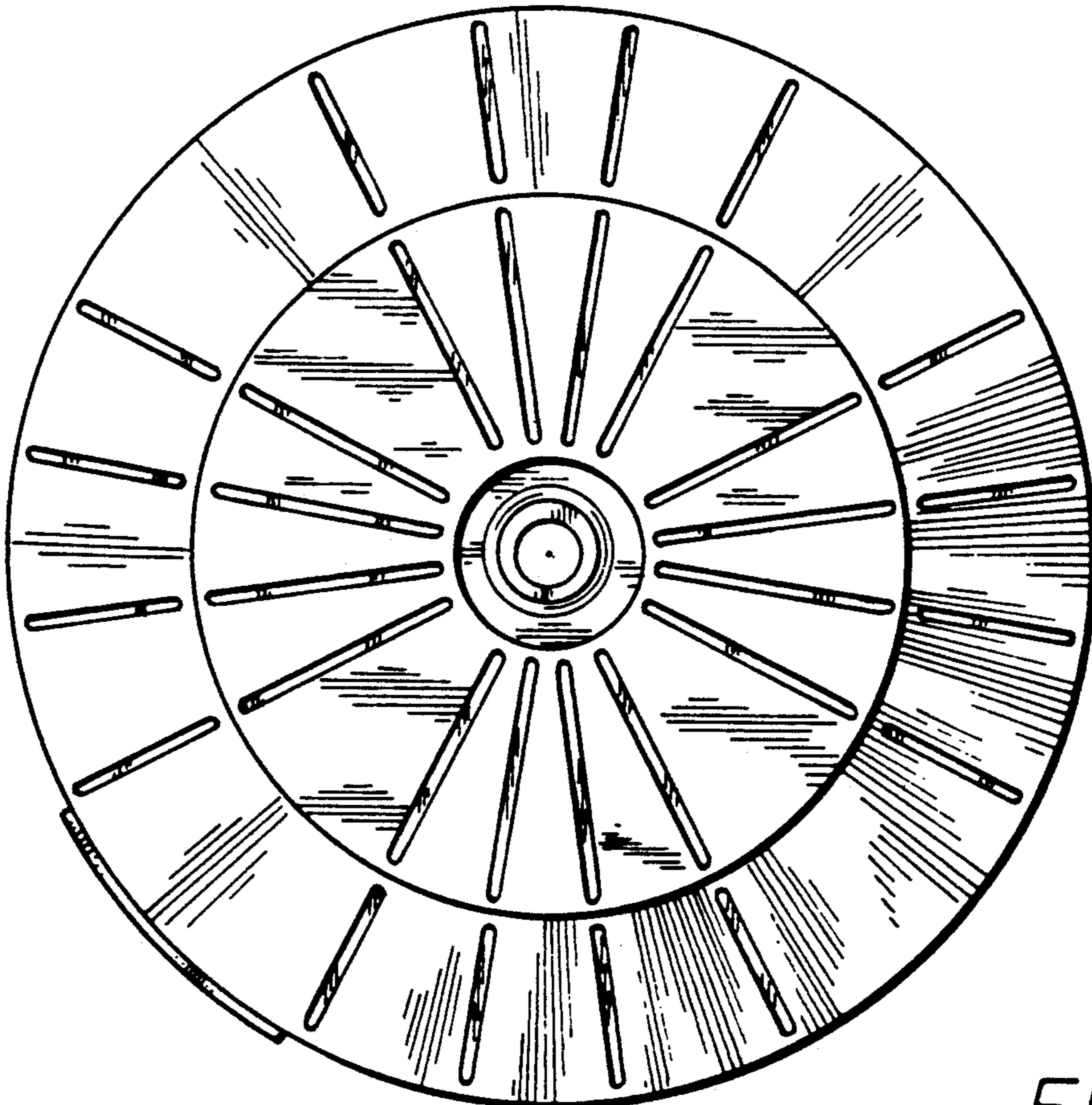
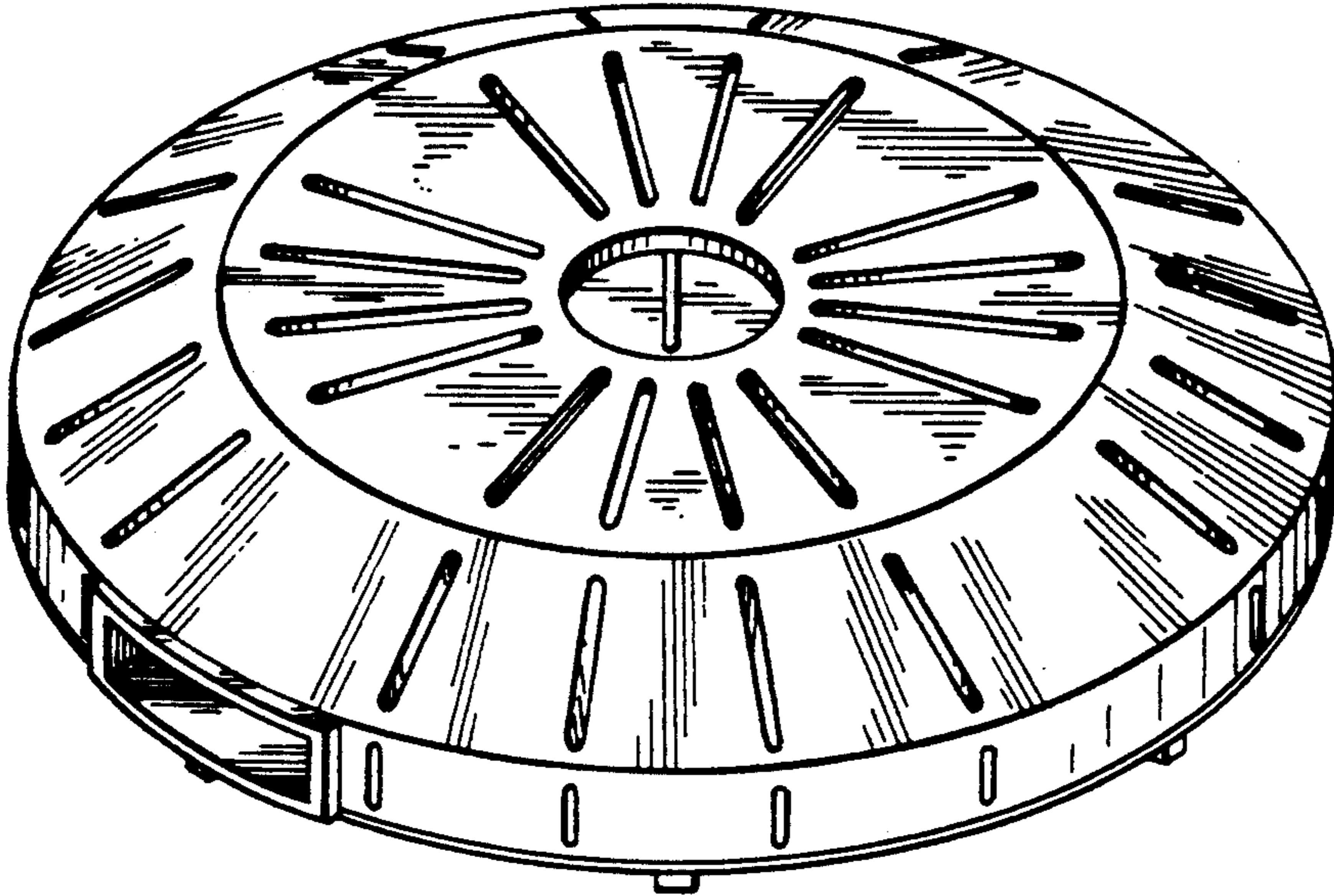


FIG. 2

FIG. 3

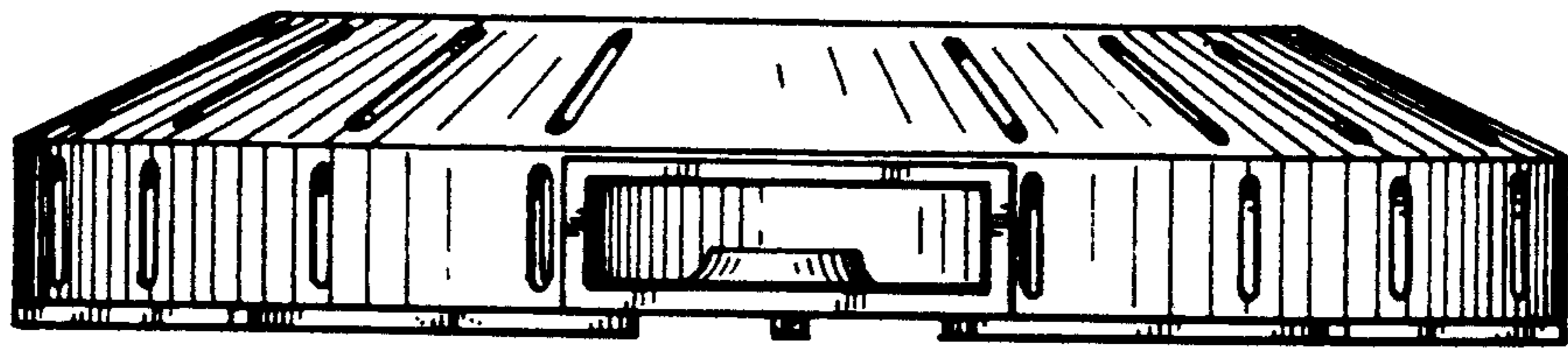


FIG. 4

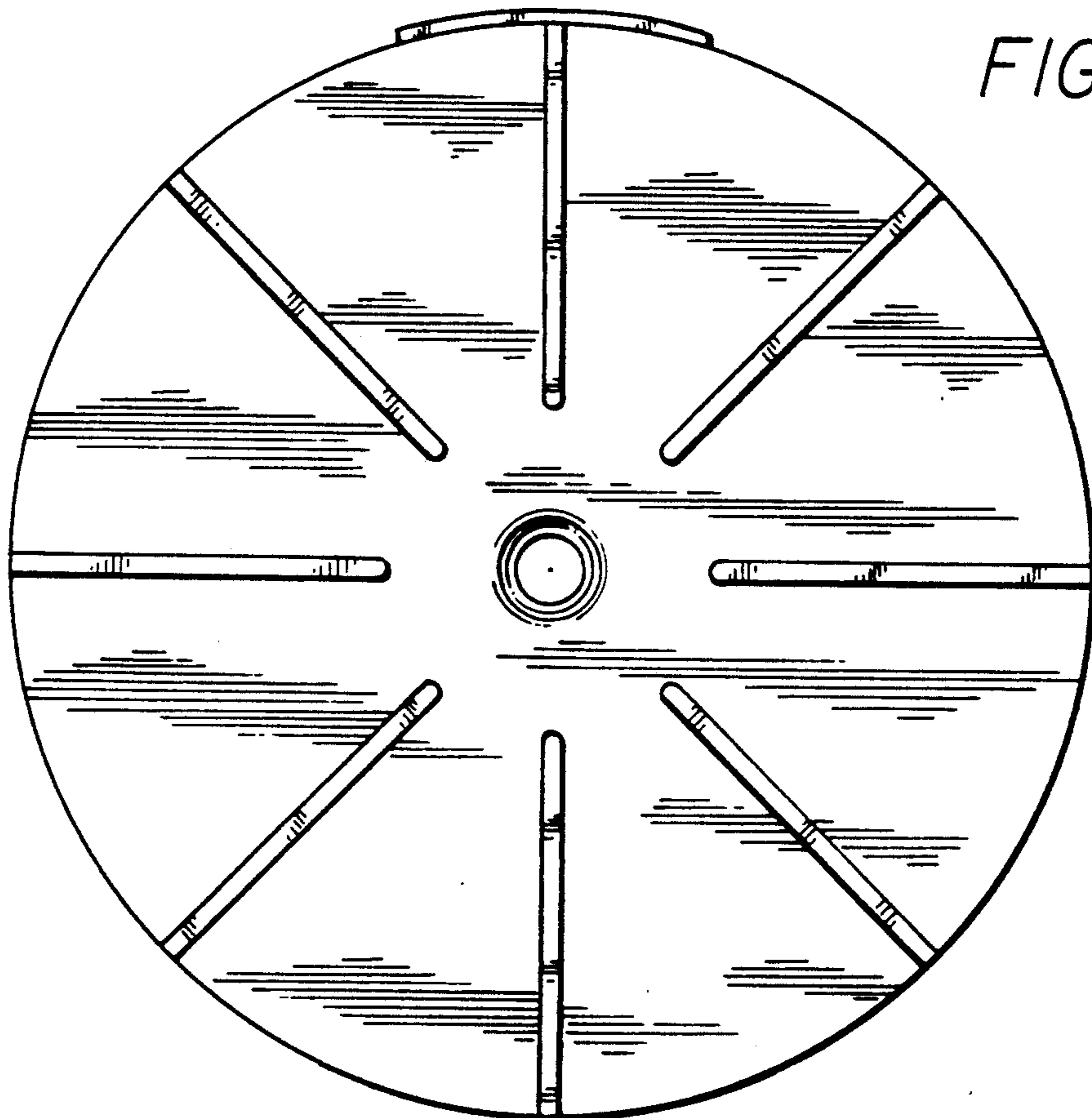


FIG. 5

