



US00D343213S

United States Patent [19]

[11] Patent Number: Des. 343,213

Chan et al.

[45] Date of Patent: ** Jan. 11, 1994

[54] WATER GUN

[75] Inventors: Albert W. T. Chan, Unionville; G. Patrick Johnson, Toronto, both of Canada

[73] Assignee: Thinkway Trading Corporation, Markham, Canada

[**] Term: 14 Years

[21] Appl. No.: 855,330

[22] Filed: Feb. 26, 1992

[30] Foreign Application Priority Data

Dec. 17, 1991 [CA] Canada..... 70986

[52] U.S. Cl. D21/147

[58] Field of Search 446/267, 473; 222/78, 222/79; 239/211, 237, 329, 373; D21/145, 146, 147; D23/225

[56] References Cited

U.S. PATENT DOCUMENTS

- D. 78,206 4/1929 Hermann .
- D. 191,686 10/1961 Johnson et al. .
- D. 200,473 3/1965 Sawyer .
- D. 265,221 6/1982 Hardin D21/147
- D. 297,748 9/1988 Marino .
- D. 303,820 10/1989 Wong .
- D. 318,309 7/1991 D'Andrade D21/147
- 2,049,194 7/1936 Chapin et al. .
- 2,589,977 3/1952 Stelzer .
- 3,005,495 10/1961 Herberg .
- 3,197,070 7/1965 Pearl et al. .
- 3,273,553 9/1966 Doyle .
- 3,938,709 2/1976 Collar .
- 4,214,674 7/1980 Jones et al. .

- 4,257,460 3/1981 Paranay 446/473
- 4,441,629 4/1984 Mackal .
- 4,591,071 5/1986 Johnson .
- 4,735,239 4/1988 Salmon et al. .
- 4,743,030 5/1988 Auer et al. .
- 4,757,946 7/1988 Johnson .
- 4,854,480 8/1989 Shindo .
- 5,074,437 12/1991 D'Andrade 222/79

FOREIGN PATENT DOCUMENTS

- 431955 7/1935 United Kingdom .
- 669983 4/1952 United Kingdom .

OTHER PUBLICATIONS

Corresponding to U.S. Pat. No. 5,074,437 and Des. 318,309).

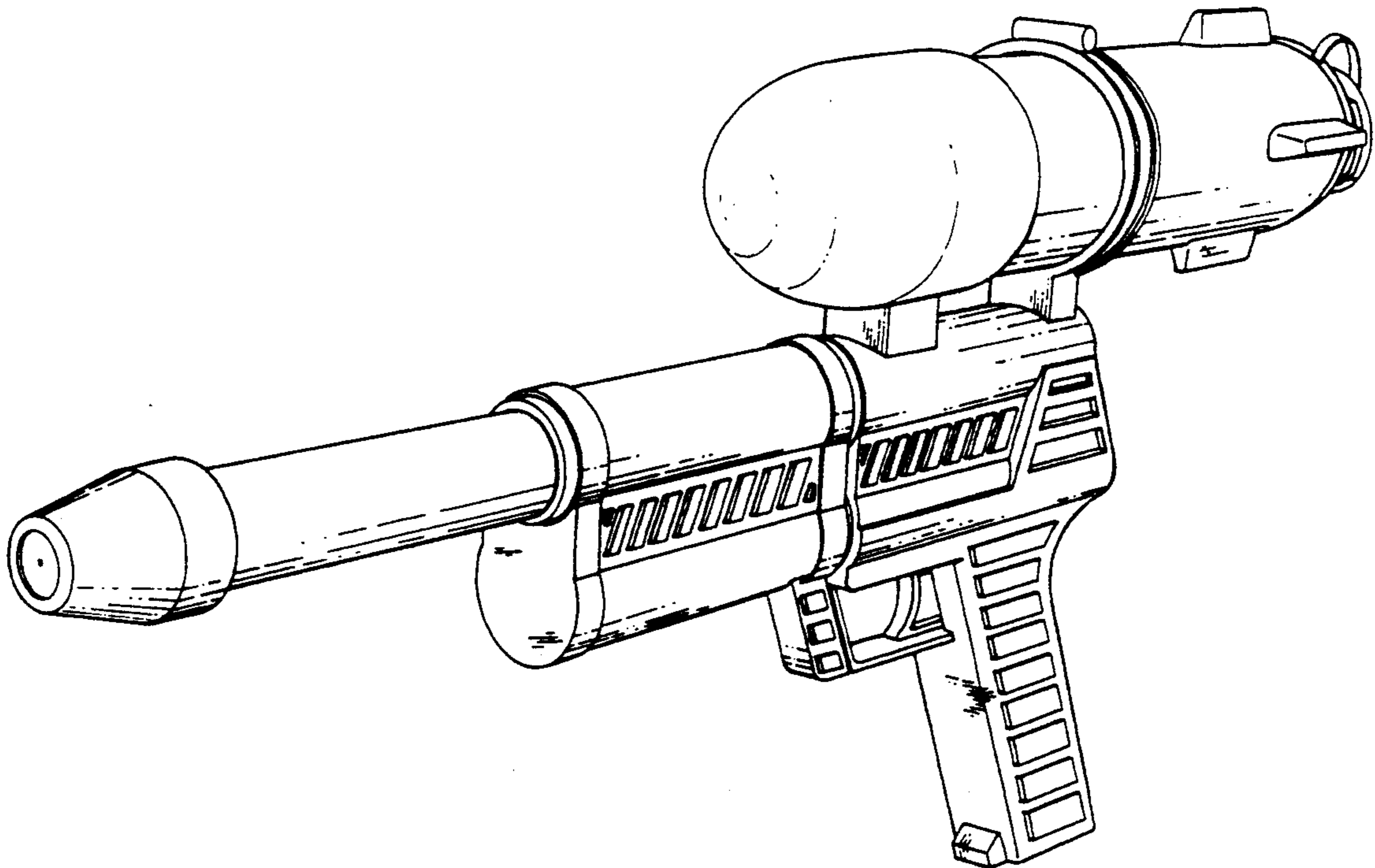
Primary Examiner—Bernard Ansher
Assistant Examiner—R. Barkai
Attorney, Agent, or Firm—Brian W. Gray

[57] CLAIM

The ornamental design for a water gun, as shown.

DESCRIPTION

FIG. 1 is a side elevation from the left side of the water gun showing the new design; FIG. 2 is a side elevation from the right side thereof; FIG. 3 is a front elevation thereof; FIG. 4 is a rear elevation thereof; FIG. 5 is a top plan view thereof; FIG. 6 is a bottom plan view thereof; FIG. 7 is a perspective view from below and the right side thereof; and, FIG. 8 is a perspective view from the front and the left side thereof.



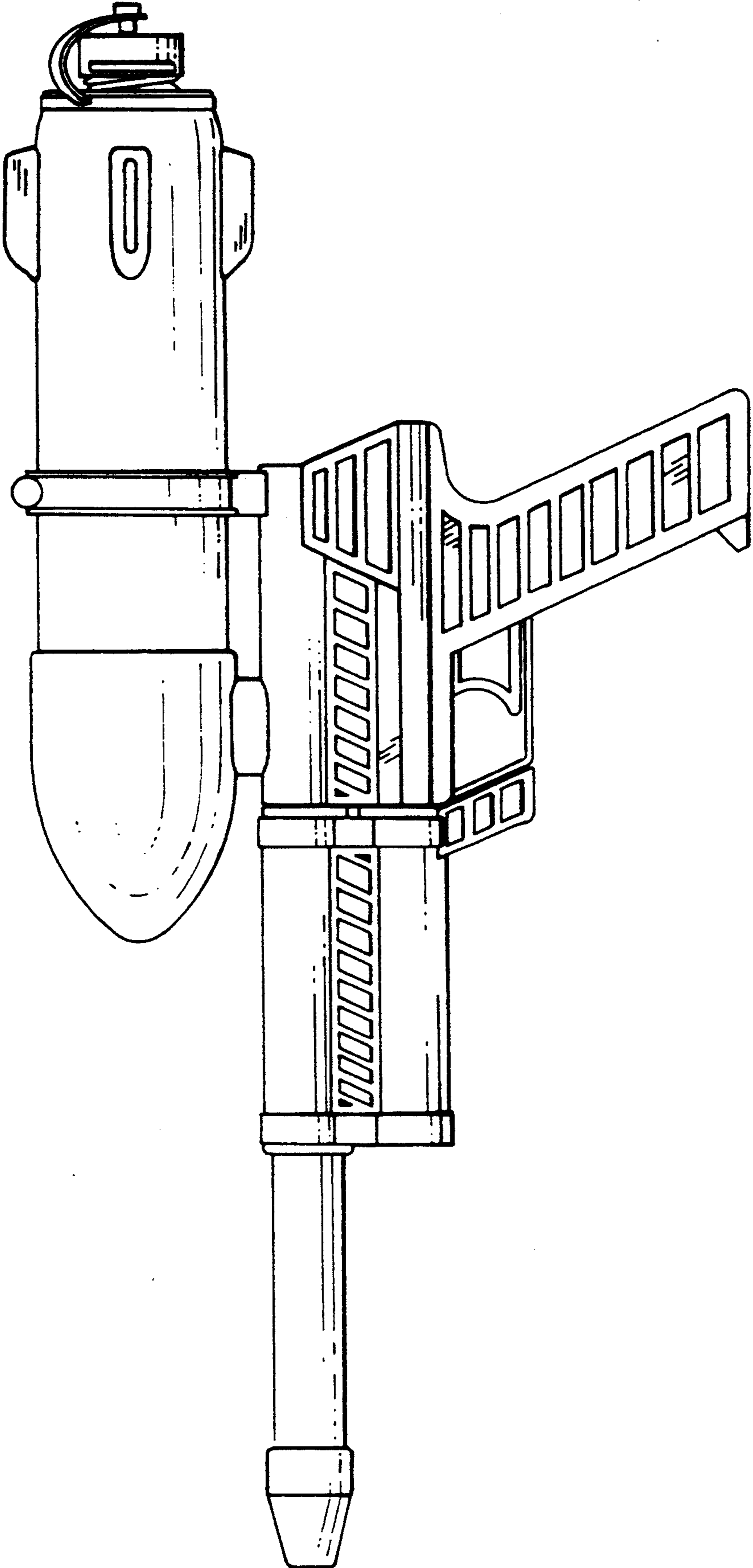


FIG. 1

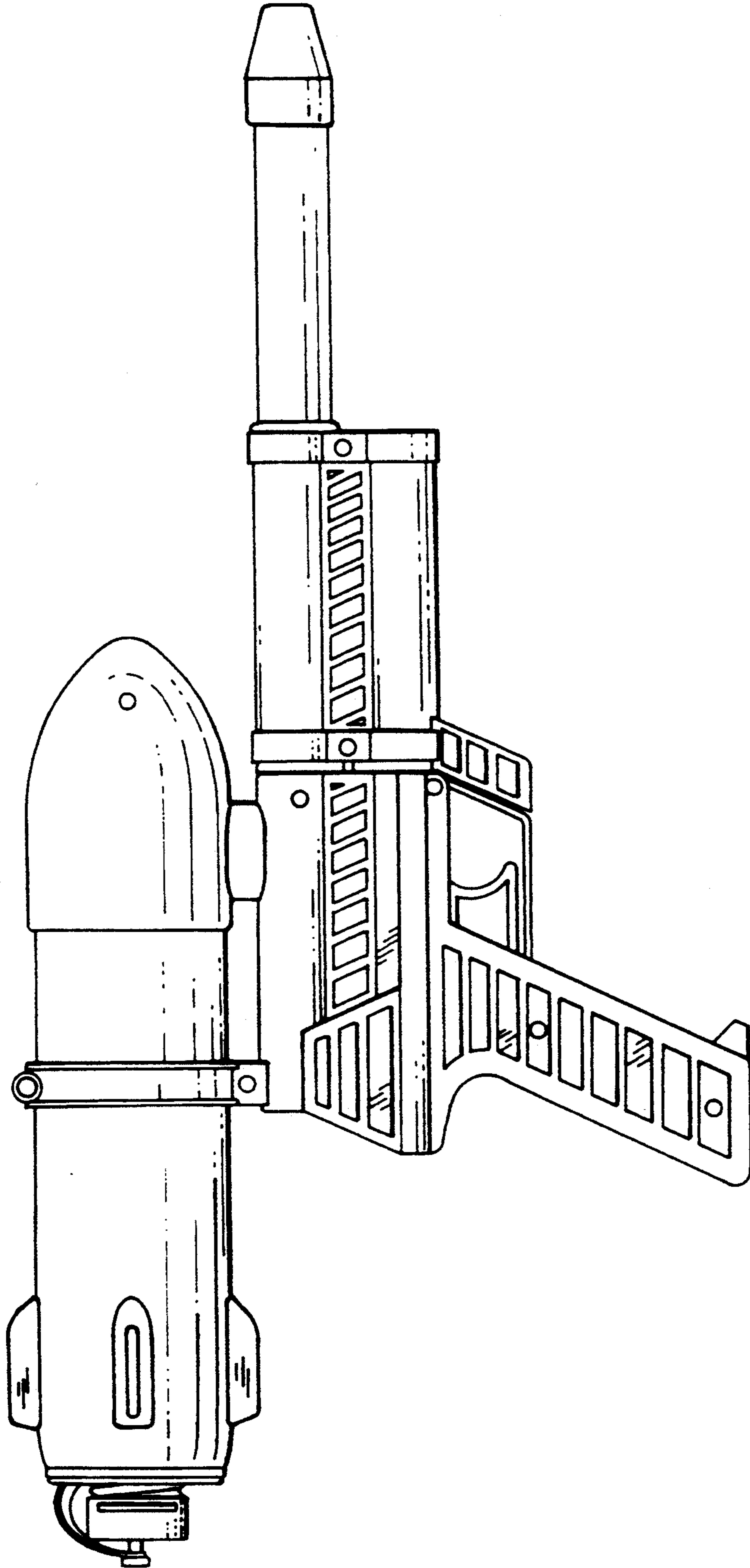


FIG. 2

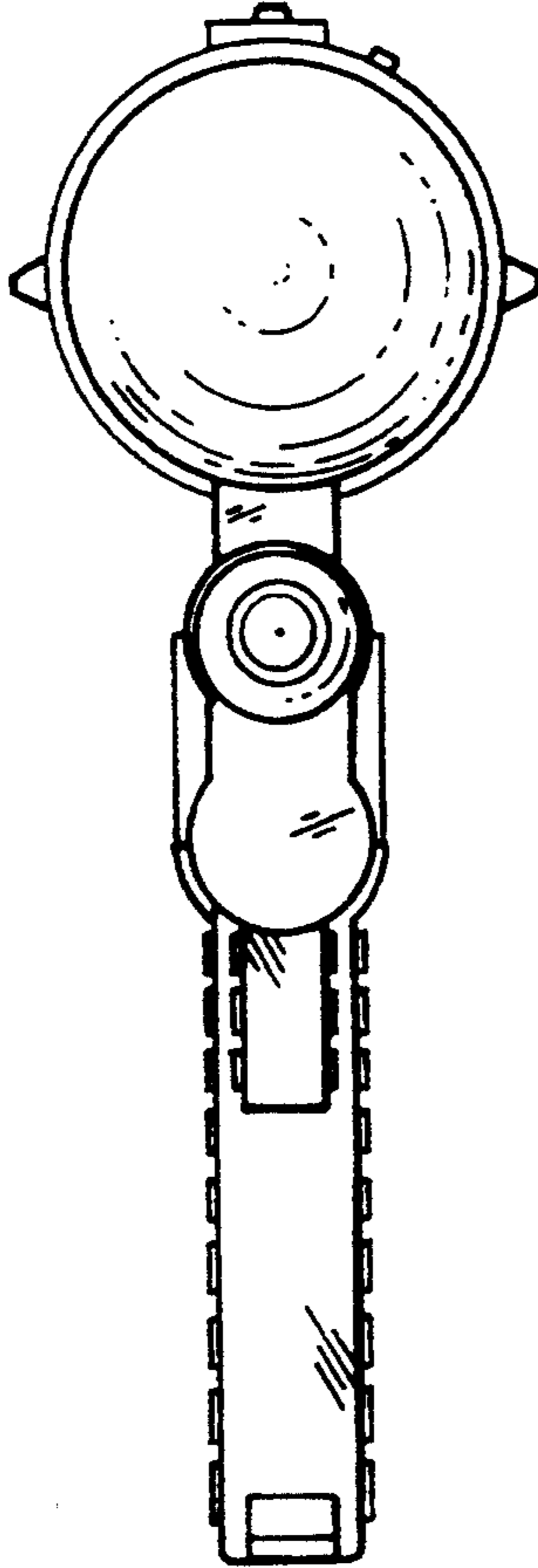


FIG. 3

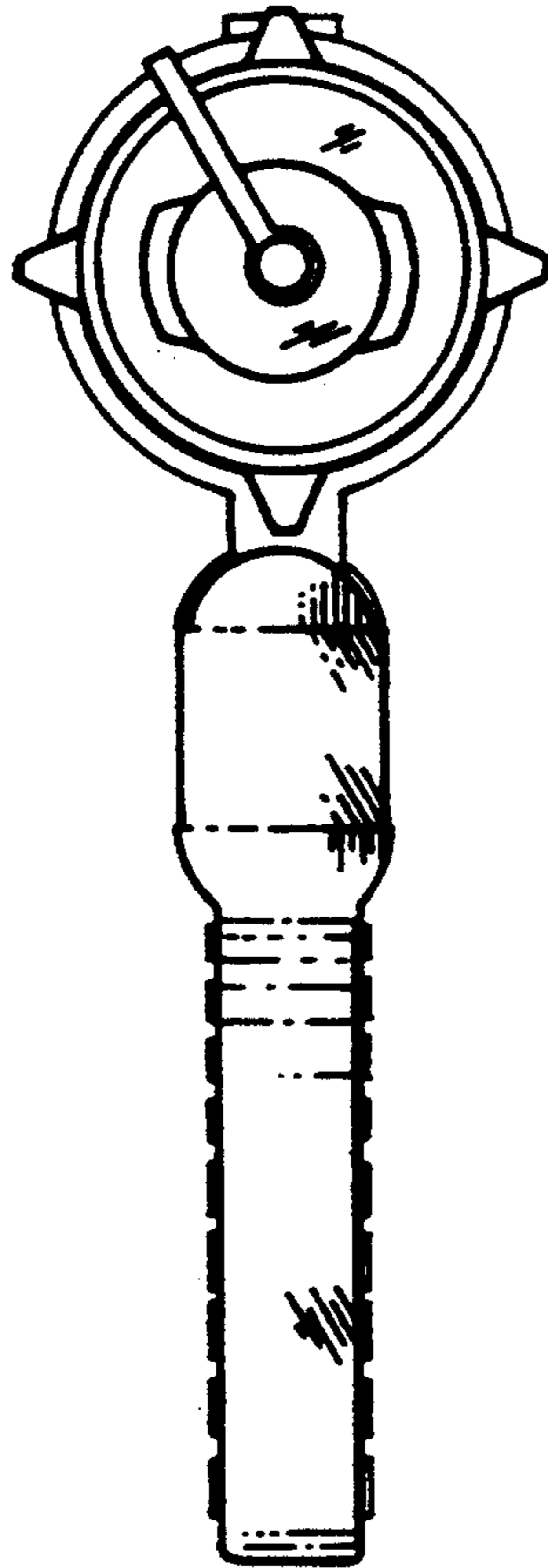


FIG. 4

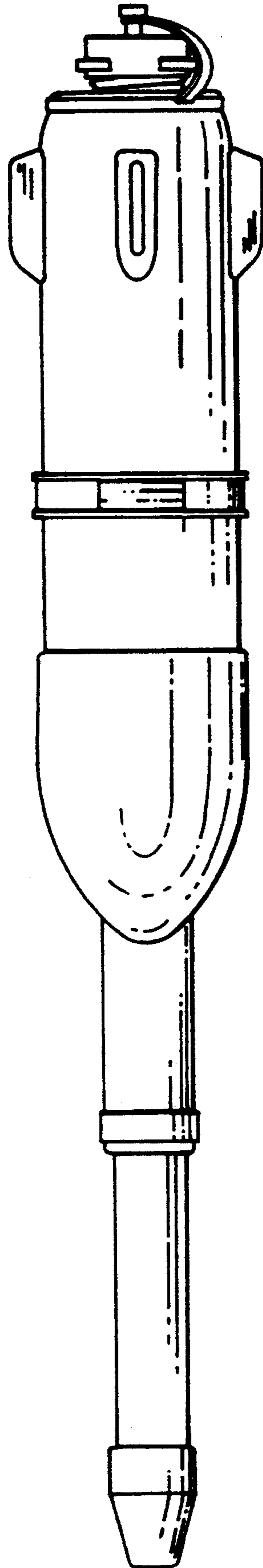


FIG. 5

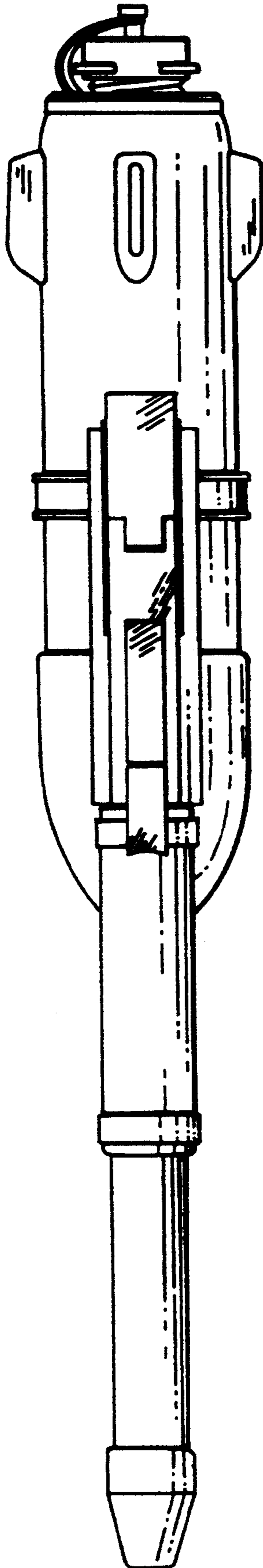


FIG. 6

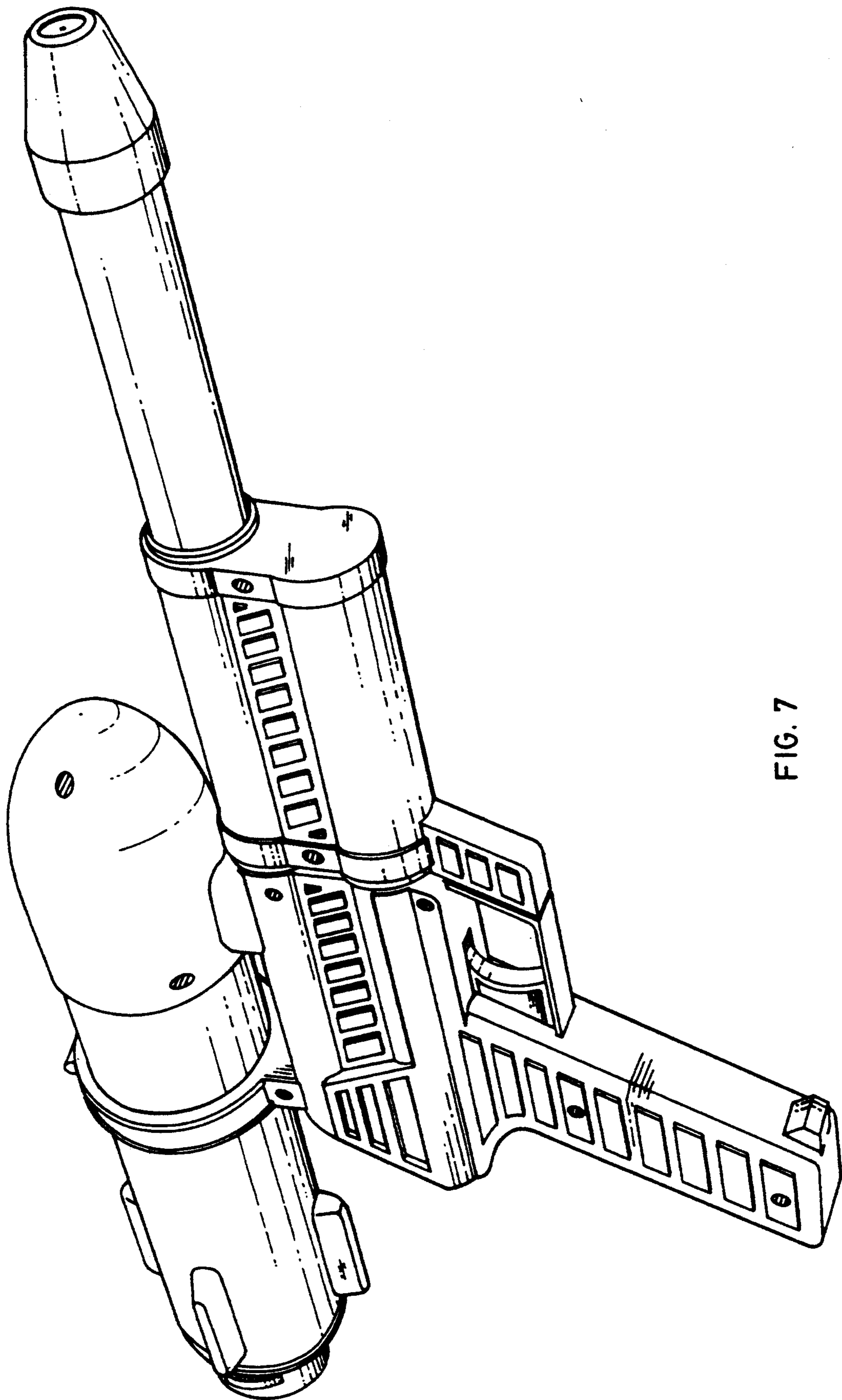


FIG. 7

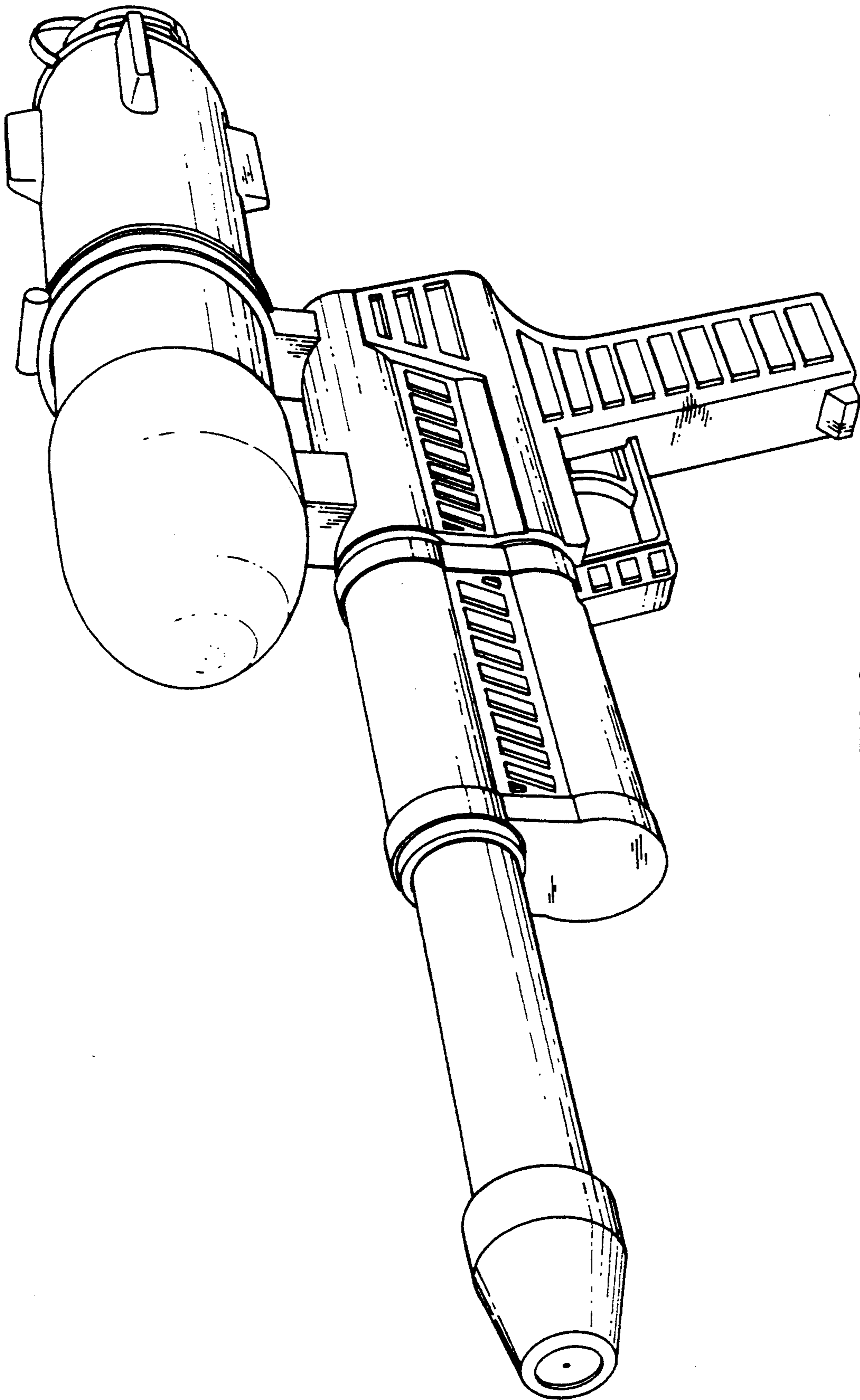


FIG. 8