



US00D343210S

United States Patent [19]

[11] Patent Number: **Des. 343,210**

Tse

[45] Date of Patent: **** Jan. 11, 1994**

- [54] TOY BANK TELLER
- [75] Inventor: **Michael K. Tse**, Kowloon Bay, Hong Kong
- [73] Assignee: **STD Electronic International Ltd.**, Hong Kong
- [**] Term: **14 Years**
- [21] Appl. No.: **829,690**
- [22] Filed: **Feb. 4, 1992**
- [52] U.S. Cl. **D21/111**
- [58] Field of Search **446/8, 408; D21/111, D21/112; D14/161, 163, 165, 225, 228; D99/28, 34, 35, 38, 43**

- D. 292,222 10/1987 Stern D21/111
- D. 303,116 8/1989 Richards D14/225
- D. 320,047 9/1991 Novak D99/34
- D. 324,086 2/1992 Woo D21/111
- D. 335,381 5/1993 Miyake D99/34

Primary Examiner—Bernard Ansher
Assistant Examiner—R. Barkai
Attorney, Agent, or Firm—Burns, Doane, Swecker & Mathis

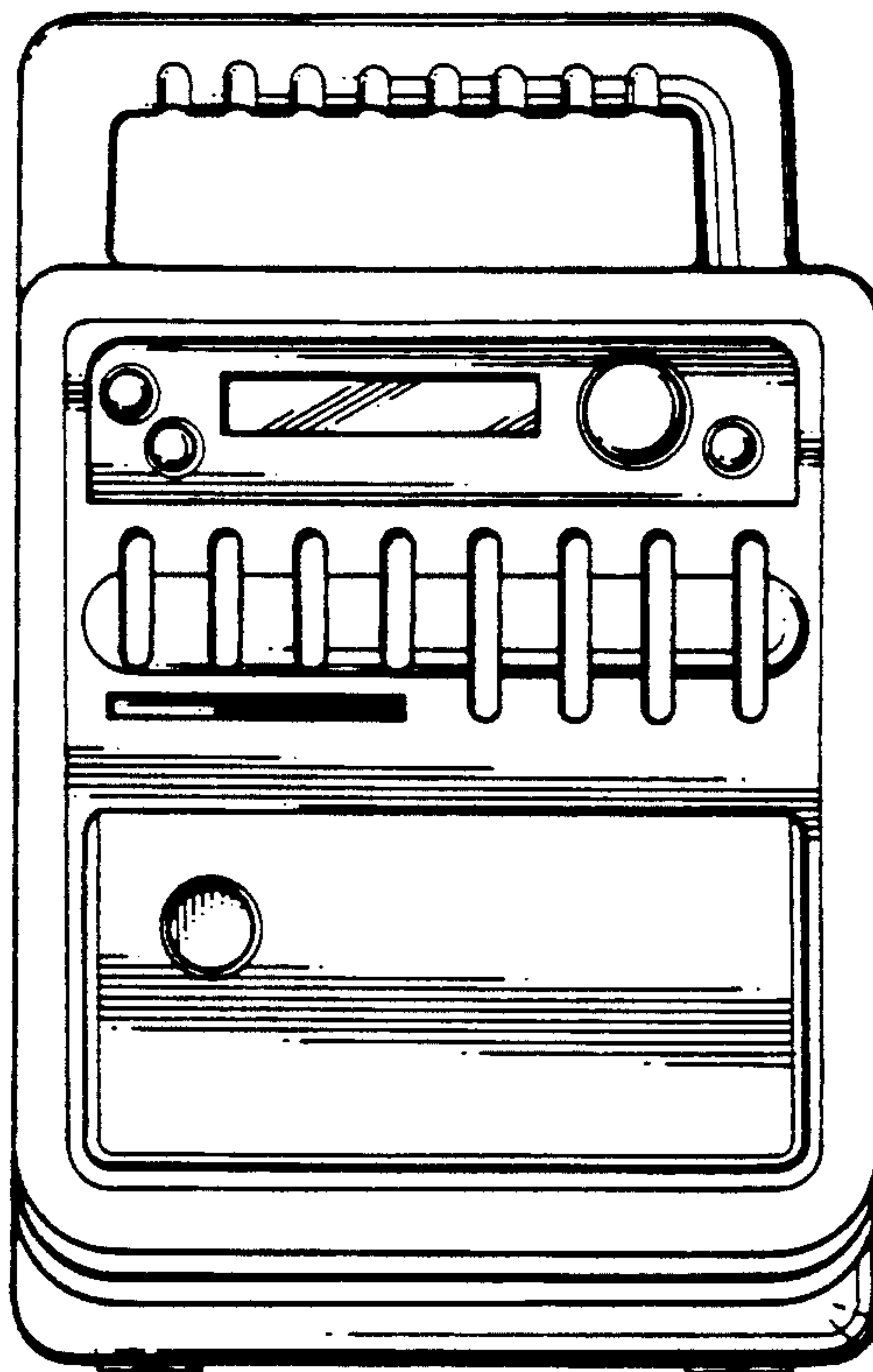
[57] CLAIM

The ornamental design for a toy bank teller, as shown and described.

DESCRIPTION

FIG. 1 is the front elevational view showing my new design;
 FIG. 2 is the rear elevational view thereof;
 FIG. 3 is the left side view thereof;
 FIG. 4 is the right side view thereof;
 FIG. 5 is the top plan view thereof; and,
 FIG. 6 is the bottom plan view thereof.

- [56] **References Cited**
- U.S. PATENT DOCUMENTS**
- D. 265,731 8/1982 Mino D14/163
- D. 267,127 11/1982 Noel D99/34
- D. 267,662 1/1983 Lambert D14/165



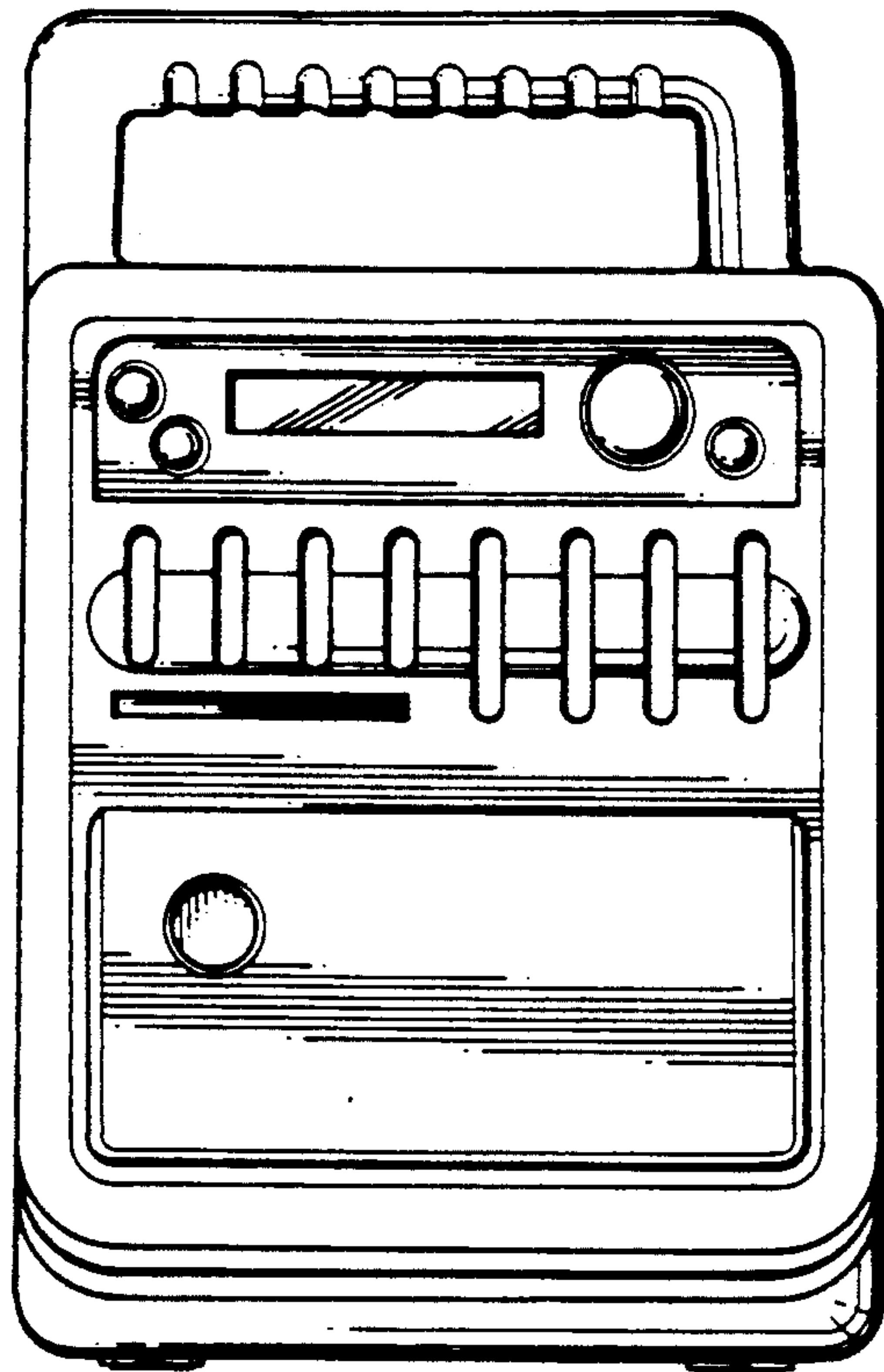


FIG. 1

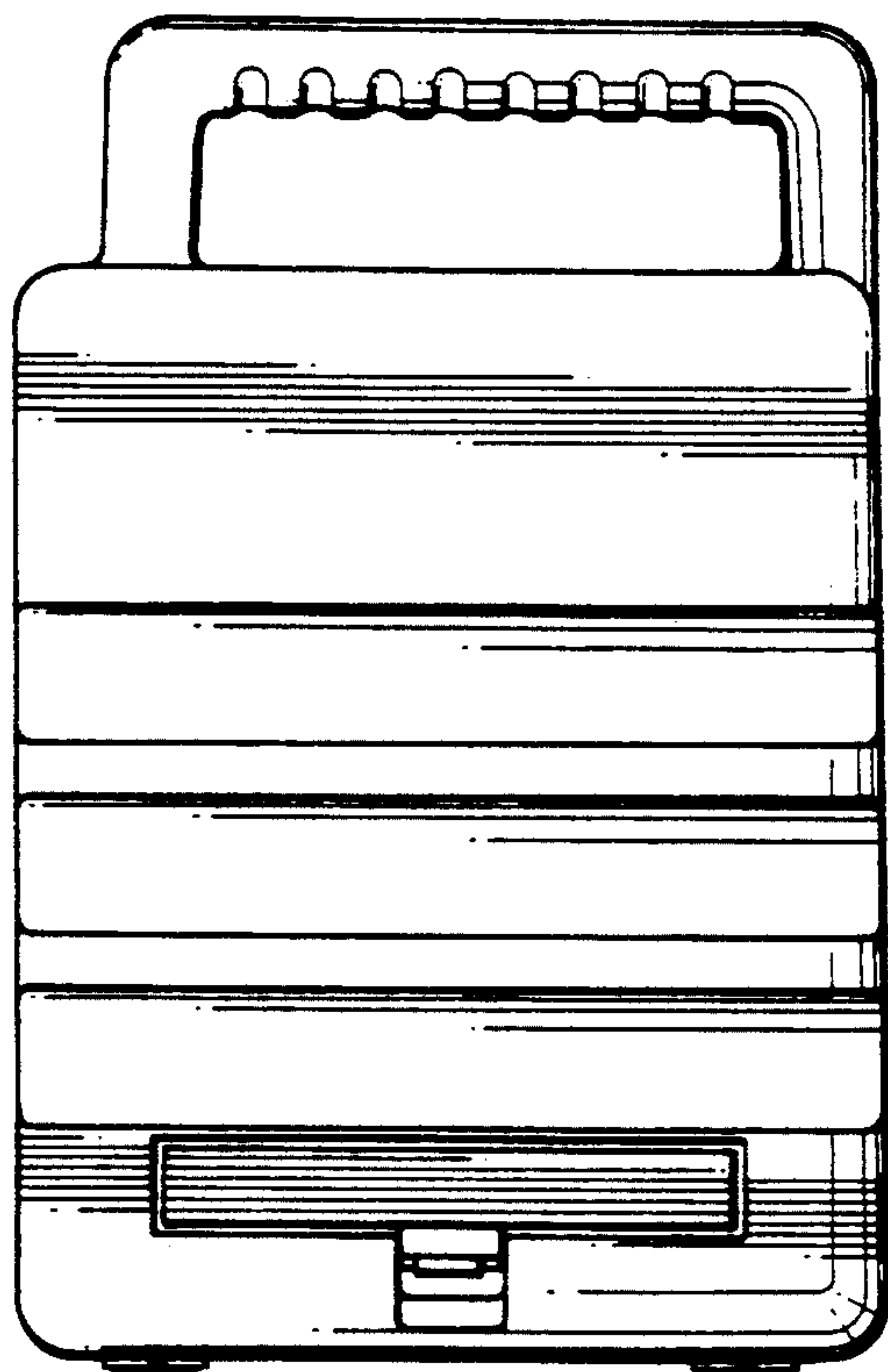


FIG. 2

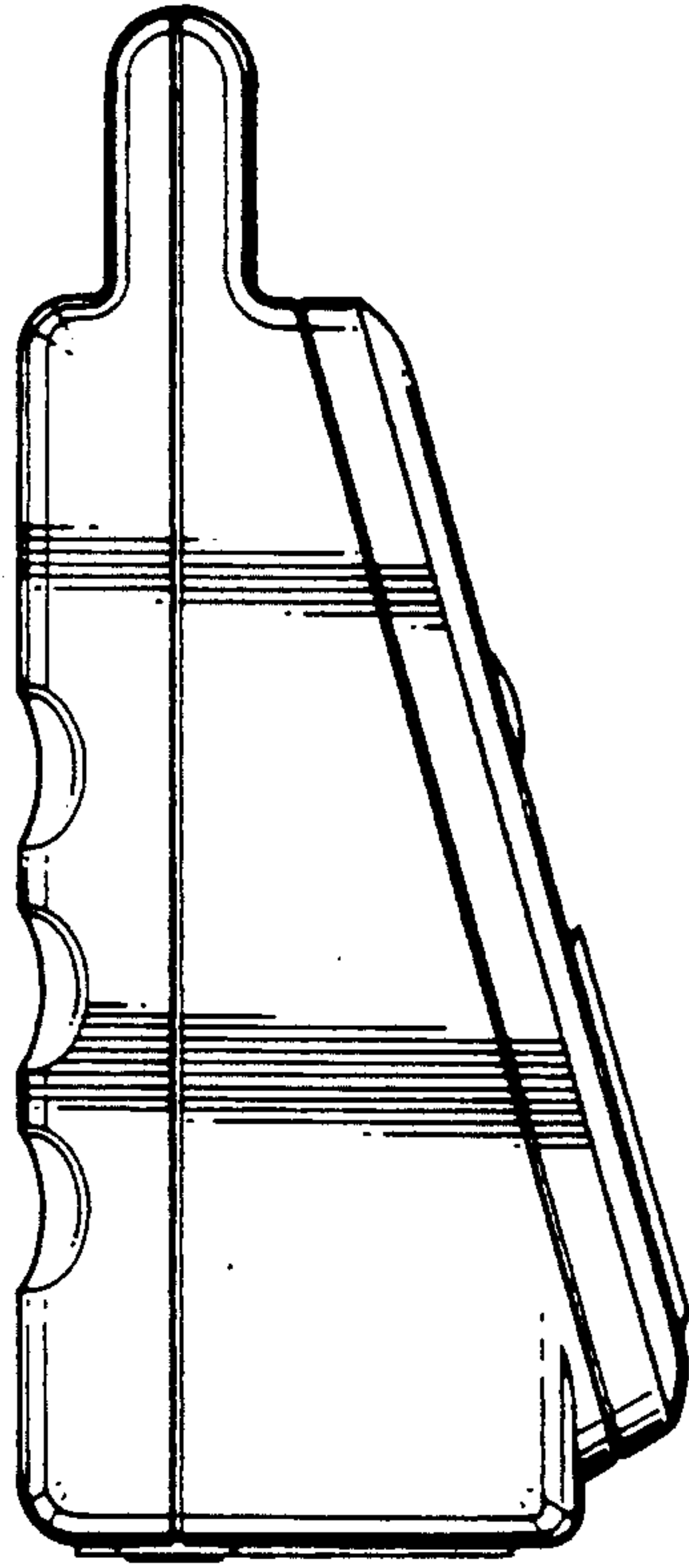


FIG. 3

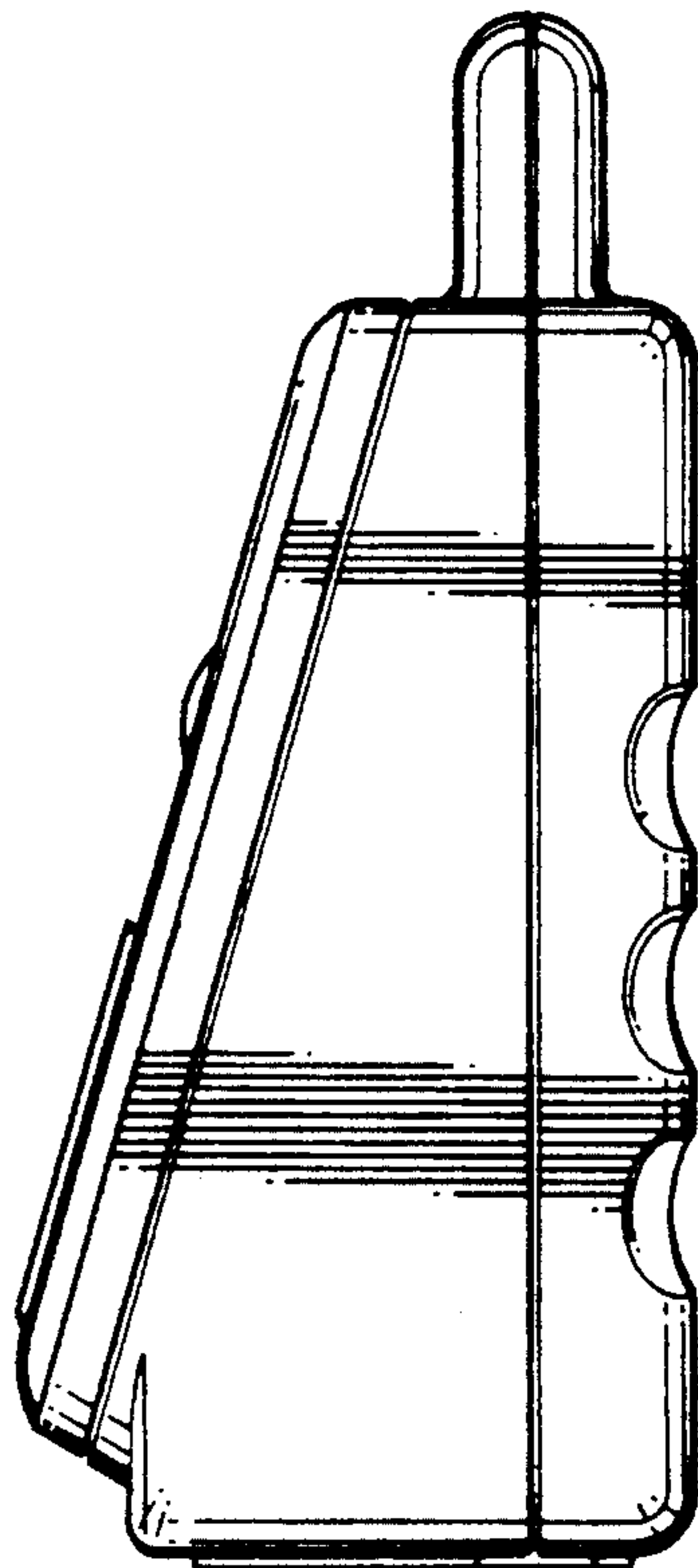


FIG. 4

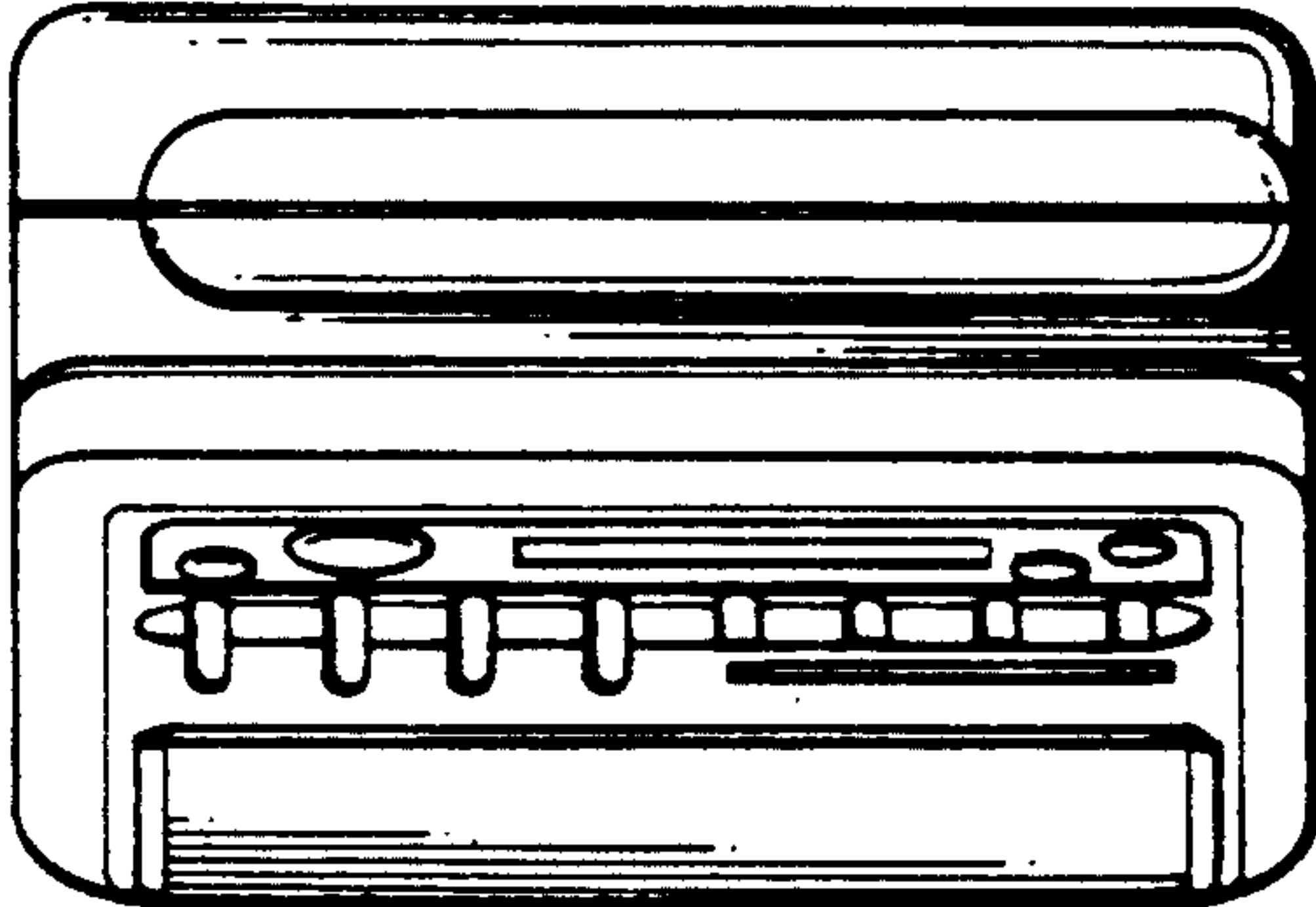


FIG. 5

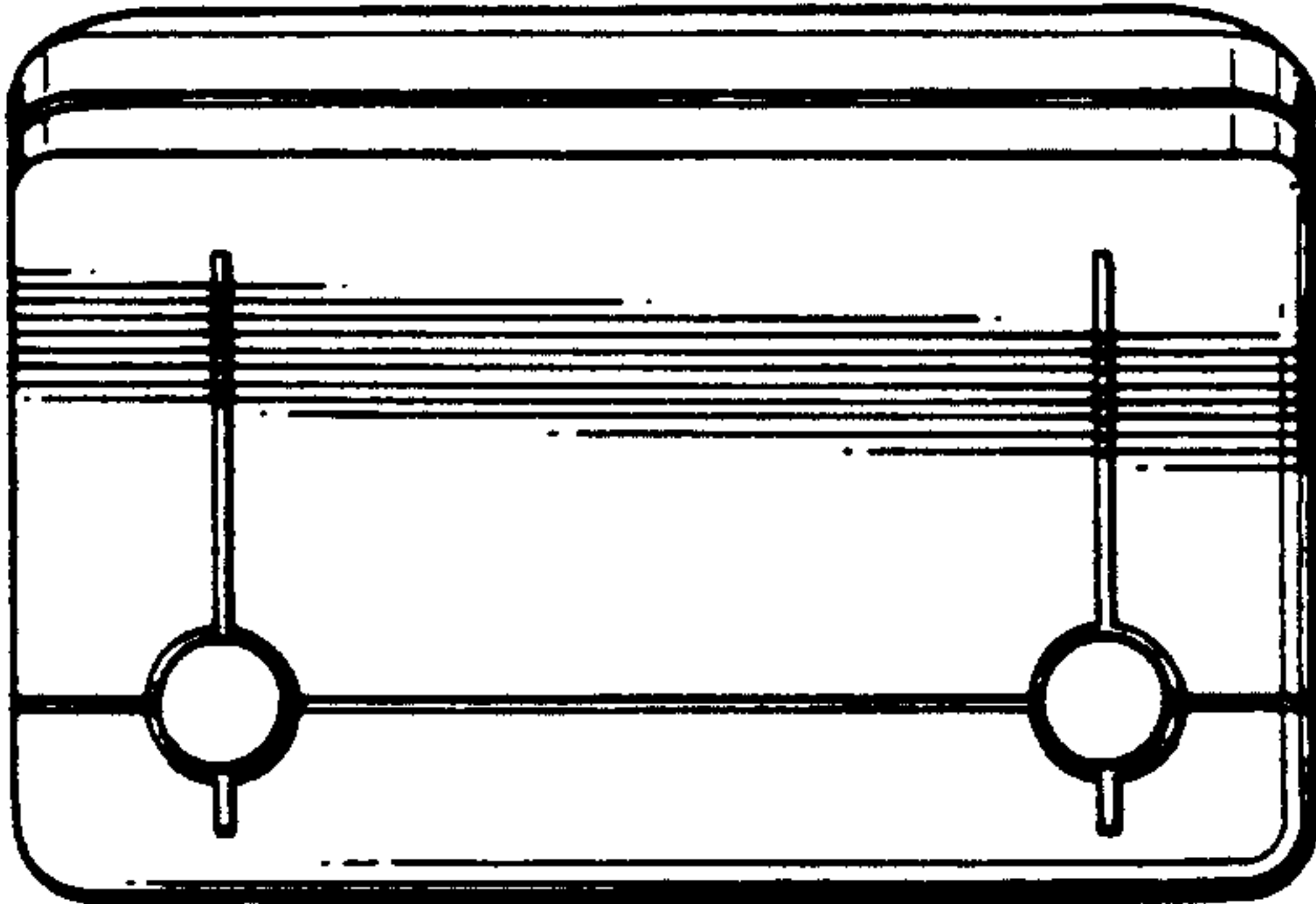


FIG. 6