



US00D343201S

# United States Patent [19]

[11] Patent Number: **Des. 343,201**

Savage

[45] Date of Patent: **\*\* Jan. 11, 1994**

## [54] COMBINED HOUSING FOR A MUSIC VIDEO GAME AND CARTRIDGES

[76] Inventor: **Jeff Savage**, 659 Falls Dr., Idaho Falls, Id. 83401

[\*\*] Term: **14 Years**

[21] Appl. No.: **778,620**

[22] Filed: **Oct. 18, 1991**

[52] U.S. Cl. .... **D21/13; D14/125**

[58] Field of Search .... **273/433-437, 148B, DIG. 28  
206/425, 561, 564; D21/13, 48, 1, 240;  
D14/100, 109, 124, 125; D19/60, 62**

### [56] References Cited

#### U.S. PATENT DOCUMENTS

D. 248,232	6/1978	Stamper .....	D14/100
D. 255,036	5/1980	Horwitz .....	D19/60
4,568,080	2/1986	Yokoi .....	273/434
4,639,225	1/1987	Washizuka .....	273/DIG. 28 X
4,710,851	12/1987	Pastecki .....	D14/114 X
4,958,728	9/1990	Effendi .....	206/425 X

### OTHER PUBLICATIONS

Macword Computers, Sep. 1990, p. 41, as shown by Arrow.

*Primary Examiner*—Prabhakar G. Deshmukh  
*Attorney, Agent, or Firm*—Terry M. Gernstein

### [57] CLAIM

The ornamental design for a combined housing for a music video game and cartridges, as shown and described.

### DESCRIPTION

FIG. 1 is a perspective view of a combined housing for a music video game and cartridges showing my new design;

FIG. 2 is a front elevational view thereof;

FIG. 3 is a rear elevational view thereof;

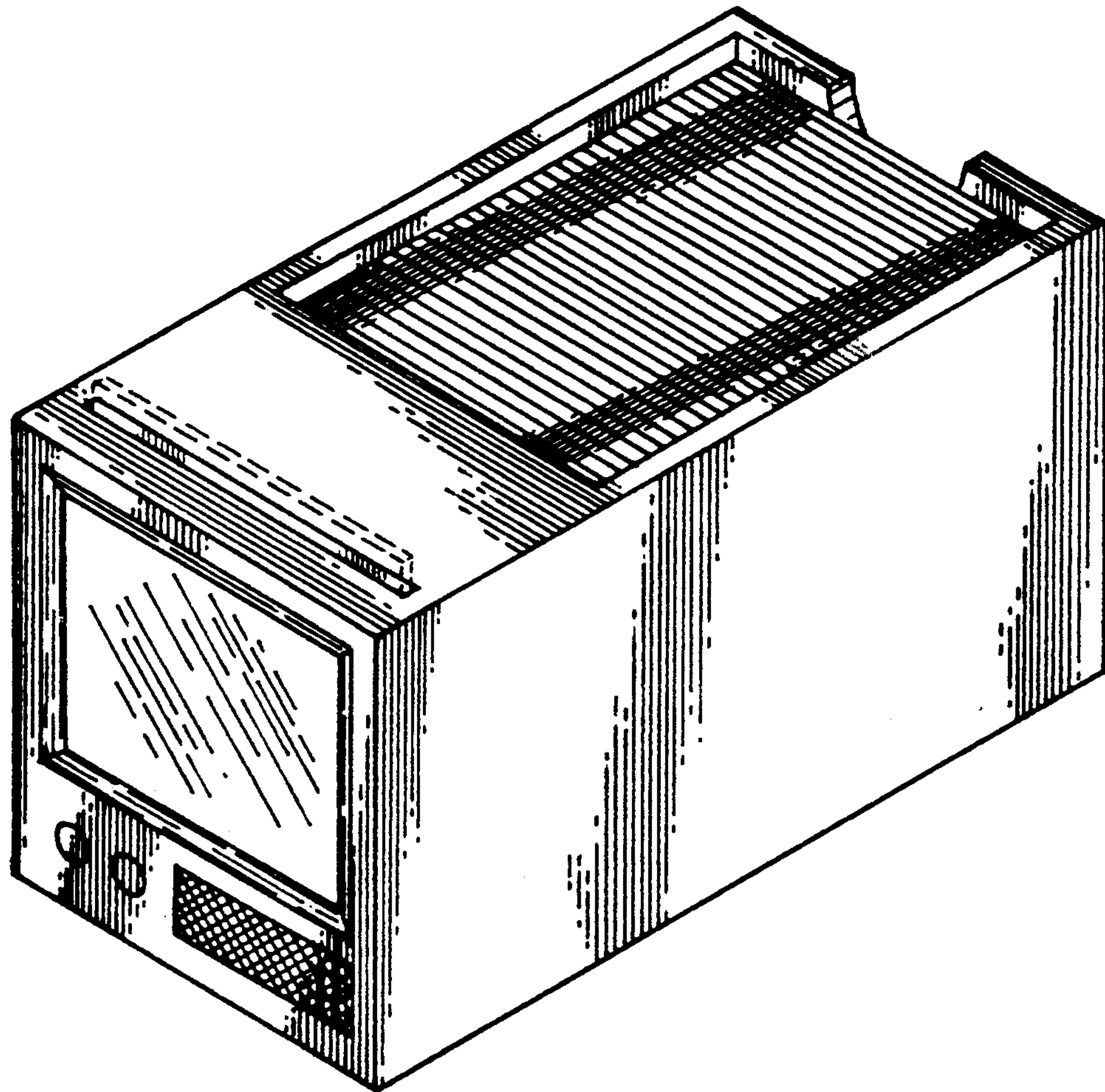
FIG. 4 is a left side elevational view thereof;

FIG. 5 is a right side elevational view thereof;

FIG. 6 is a top plan view thereof; and,

FIG. 7 is a bottom plan view thereof.

The dotted line showing of the cartridge inserted into the housing in FIG. 1 is for illustrative purposes only, and forms no part of the claimed invention.



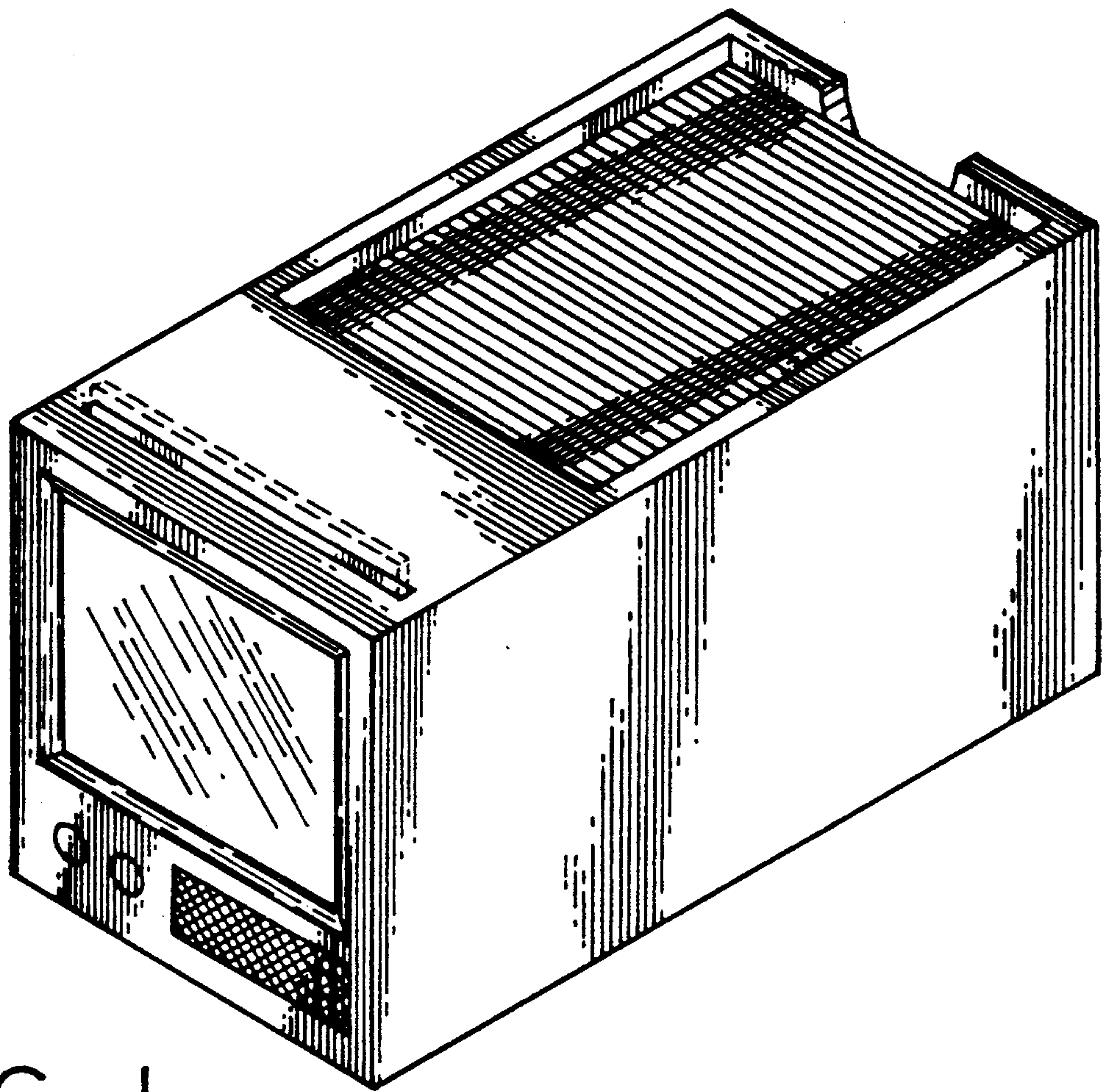


FIG. 1



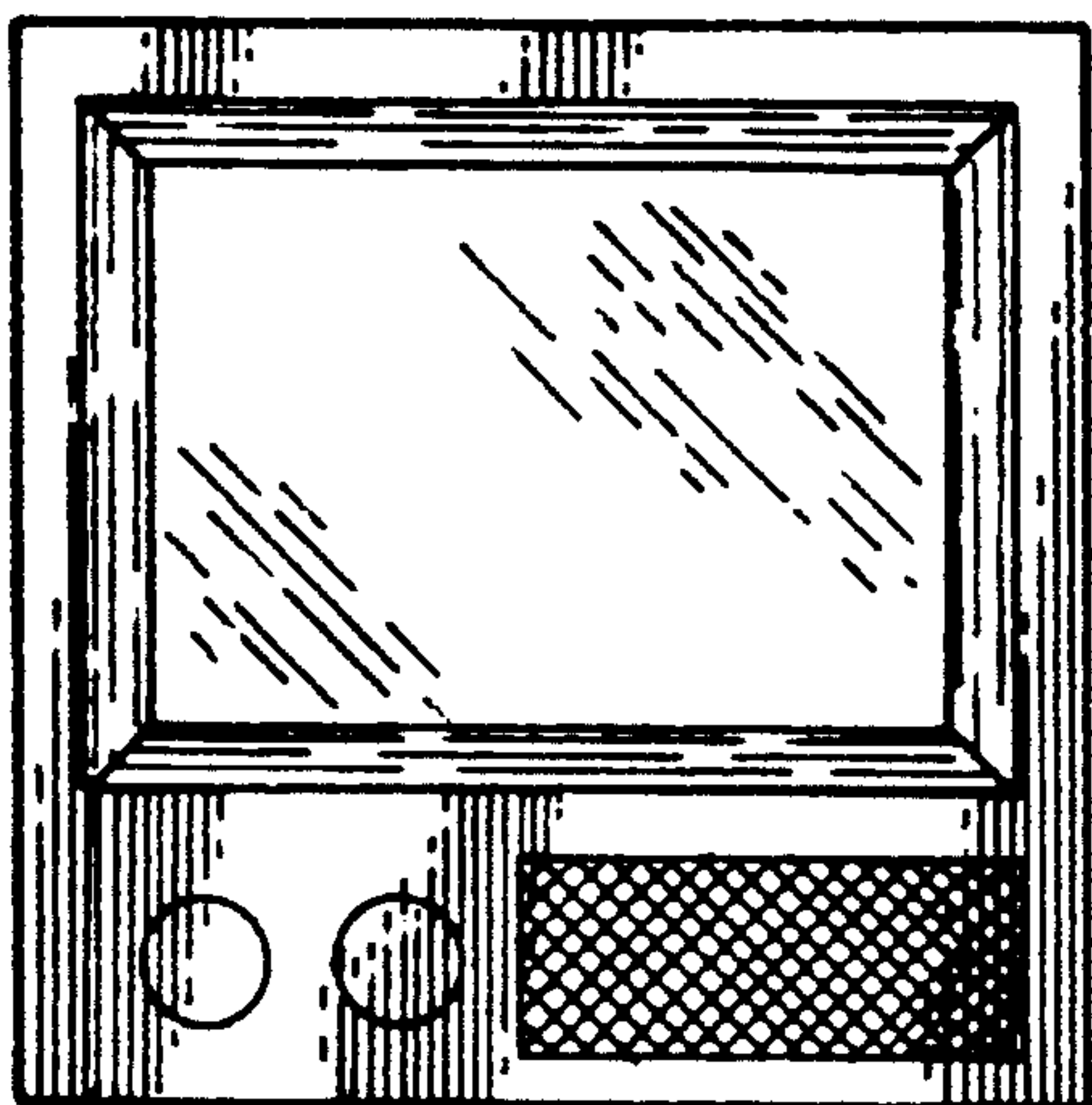


FIG. 2

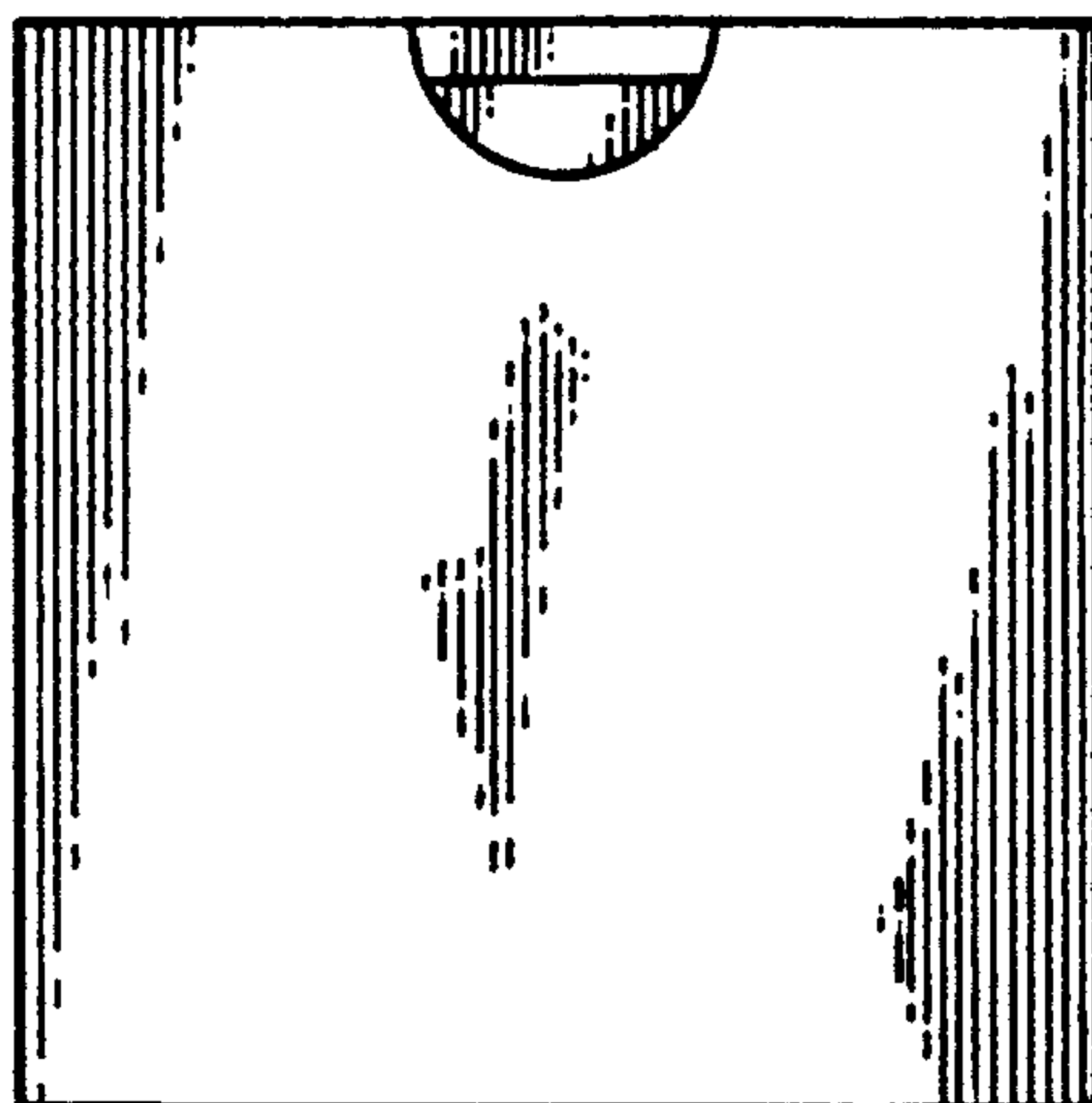


FIG. 3

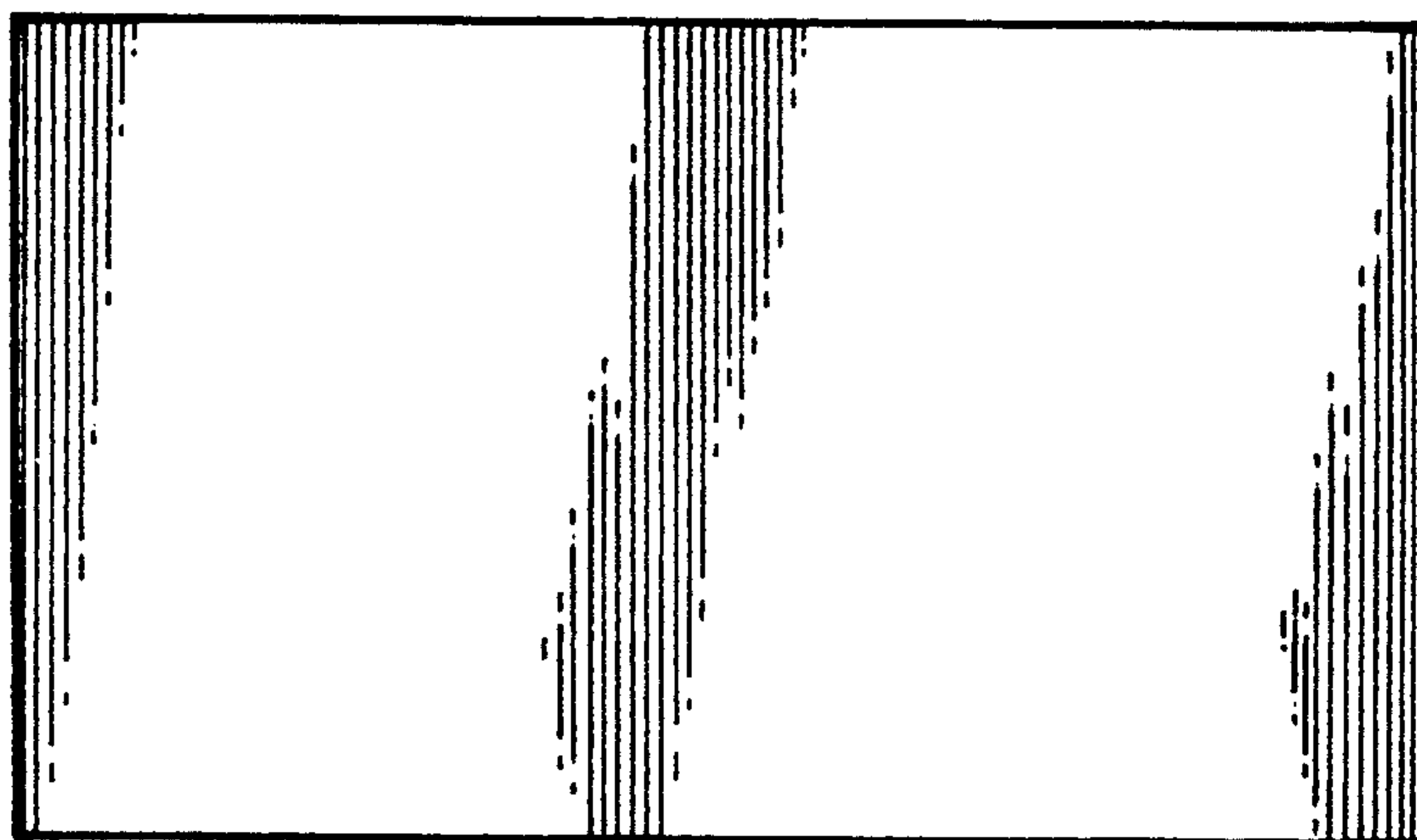


FIG. 4

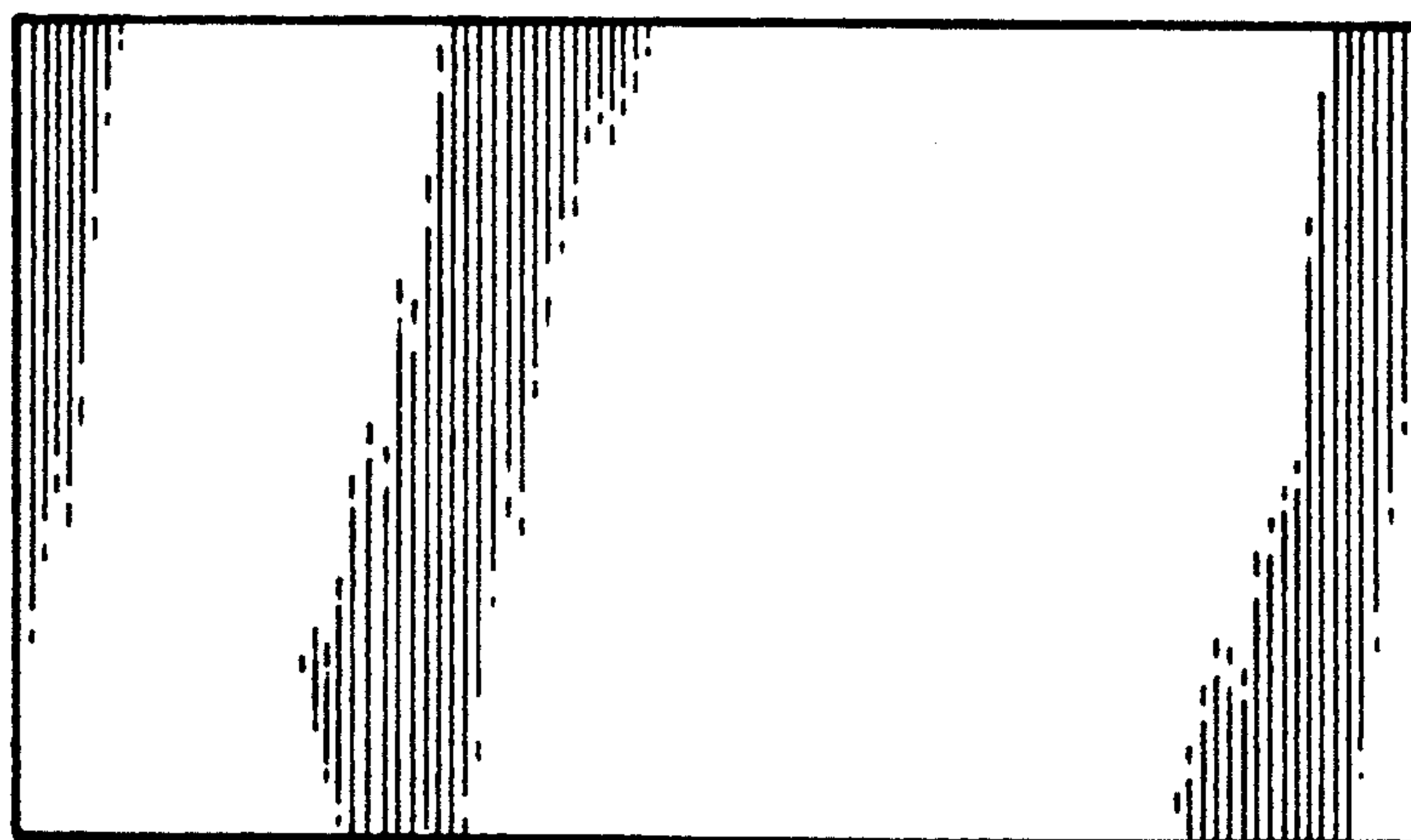


FIG. 5

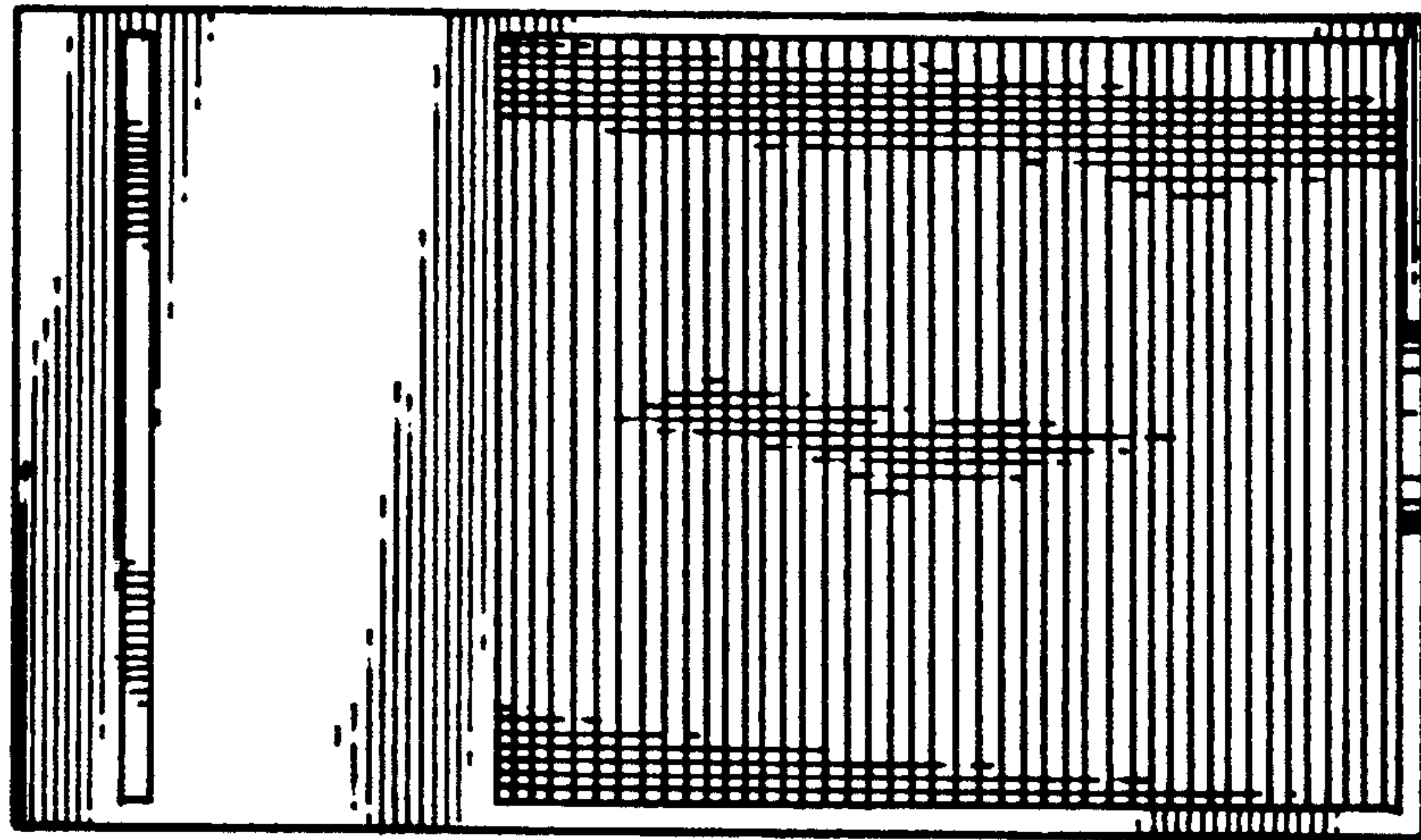


FIG. 6

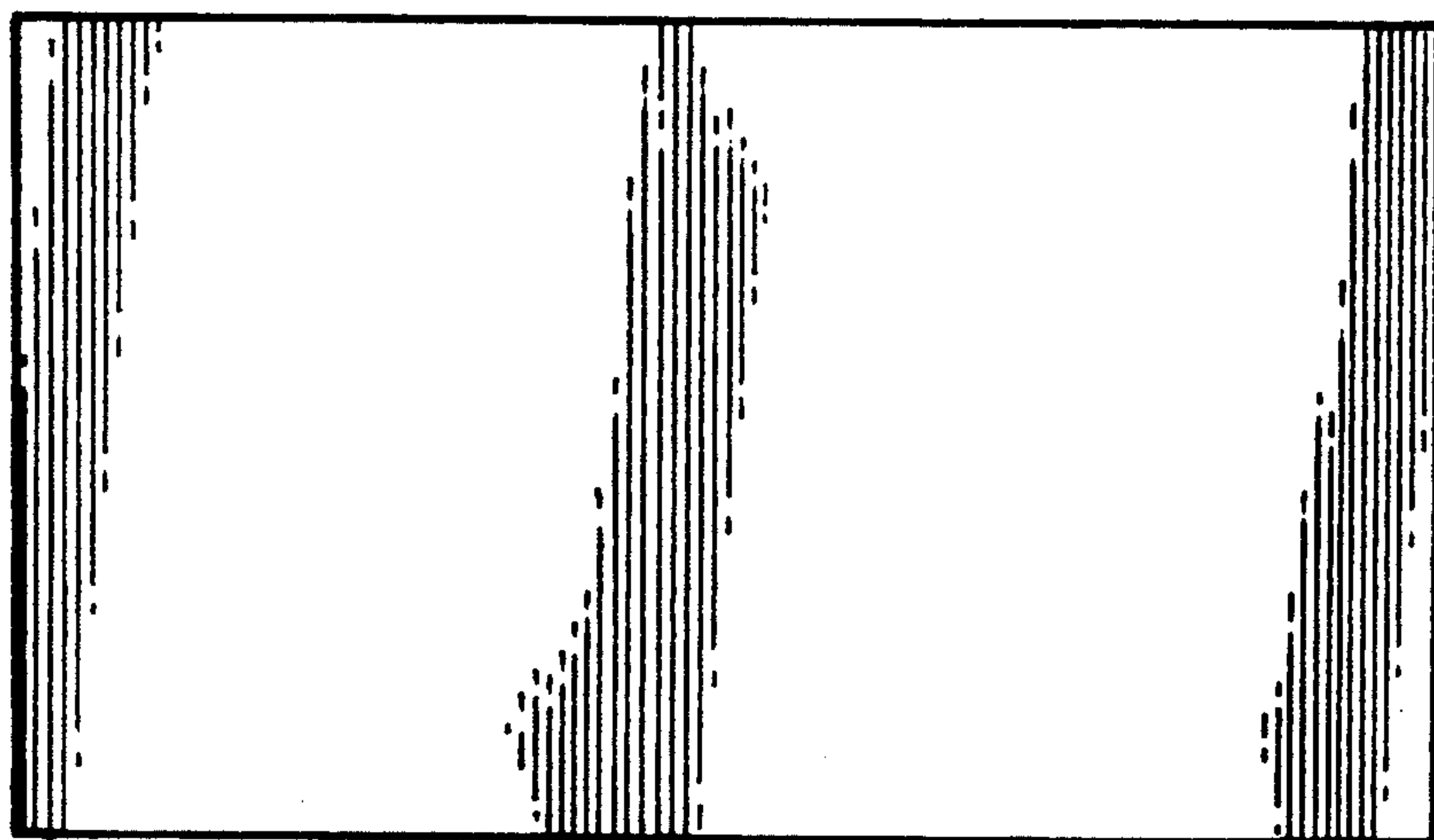


FIG. 7