



US00D343199S

United States Patent [19]

[11] Patent Number: **Des. 343,199**

Kunzer

[45] Date of Patent: **** Jan. 11, 1994**

- [54] HOUSE NUMBER SIGN
- [76] Inventor: **Lance M. Kunzer**, 19 Gregg Cir.,
Penfield, N.Y. 14526
- [**] Term: **14 Years**
- [21] Appl. No.: **864,011**
- [22] Filed: **Apr. 6, 1992**
- [52] U.S. Cl. **D20/17**
- [58] Field of Search 362/811, 812, 362, 363,
362/365; 40/540, 541, 542, 543, 546, 564, 570;
D20/10, 17, 40, 41, 42; D26/72, 73, 74, 75, 76

D. 289,305	4/1987	Rutter	D20/17
2,639,528	5/1953	Ochsner	362/812
2,732,480	1/1956	Wells, II	D26/72
3,015,178	1/1962	Rutkowski	40/124.1
4,807,378	2/1989	Bell	362/812

Primary Examiner—Wallace R. Burke
Assistant Examiner—Marcus Jackson
Attorney, Agent, or Firm—Robert J. Bird

[56] **References Cited**
U.S. PATENT DOCUMENTS

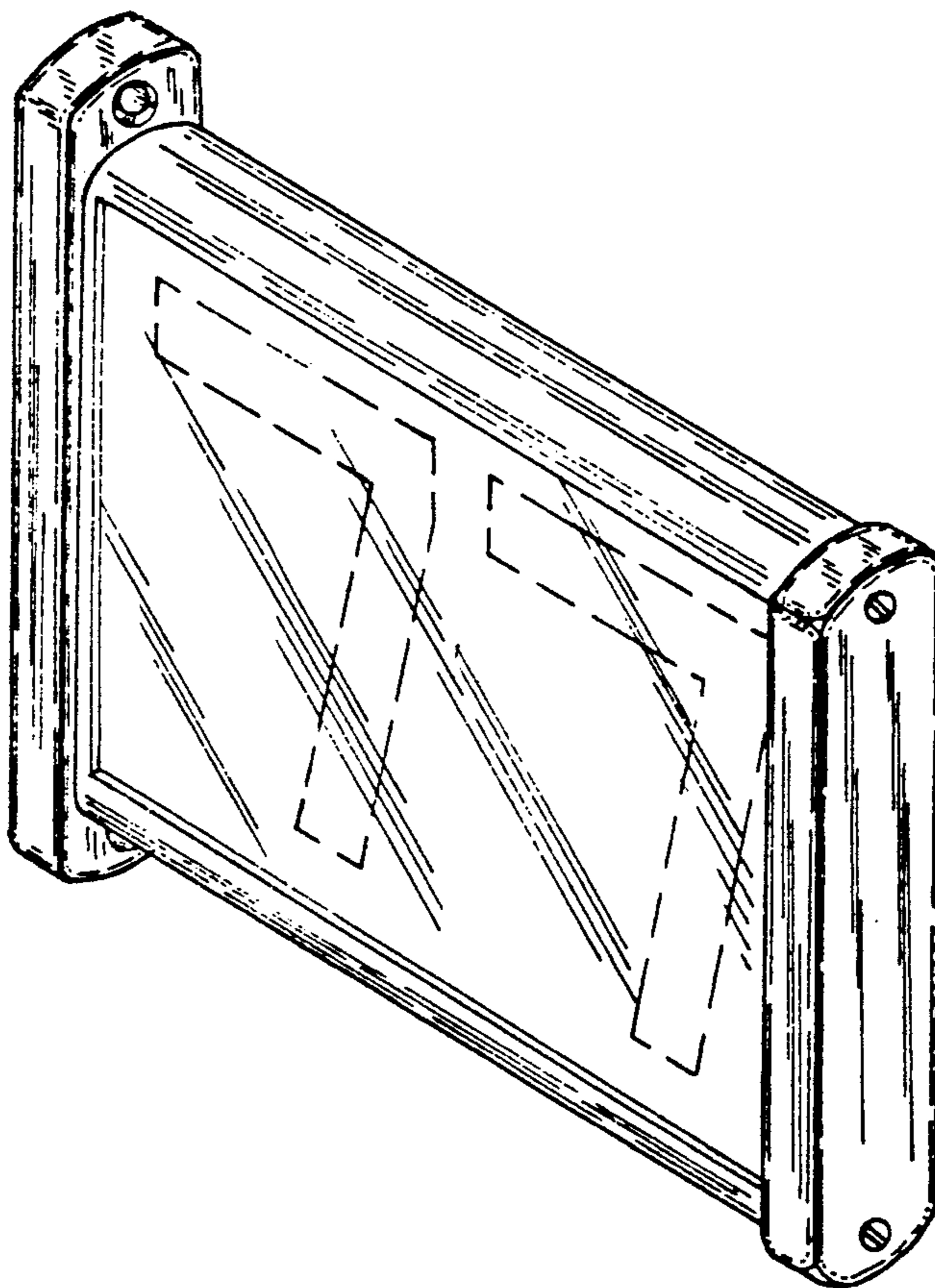
D. 161,735	1/1951	Chapman	D20/42
D. 215,534	9/1969	Rossi	D20/17
D. 238,827	2/1976	Shine	D20/42

[57] **CLAIM**

The ornamental design for a house number sign, as shown and described.

DESCRIPTION

FIG. 1 is a top perspective view of a house number sign showing my new design, with the broken line showing for illustrative purposes only and forming no part of the claimed design; and,
 FIG. 2 is a rear bottom perspective view thereof.



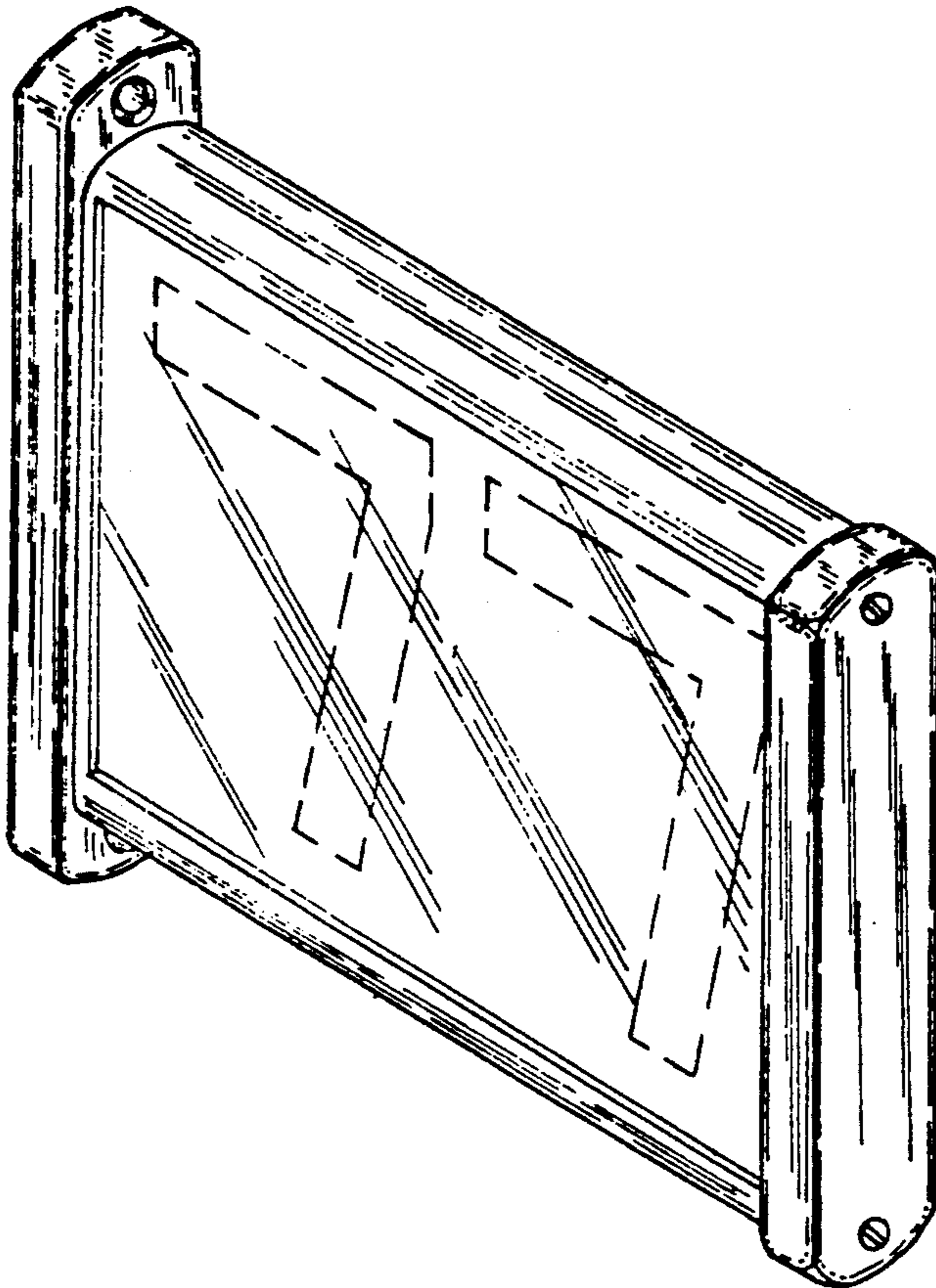


FIG. 1

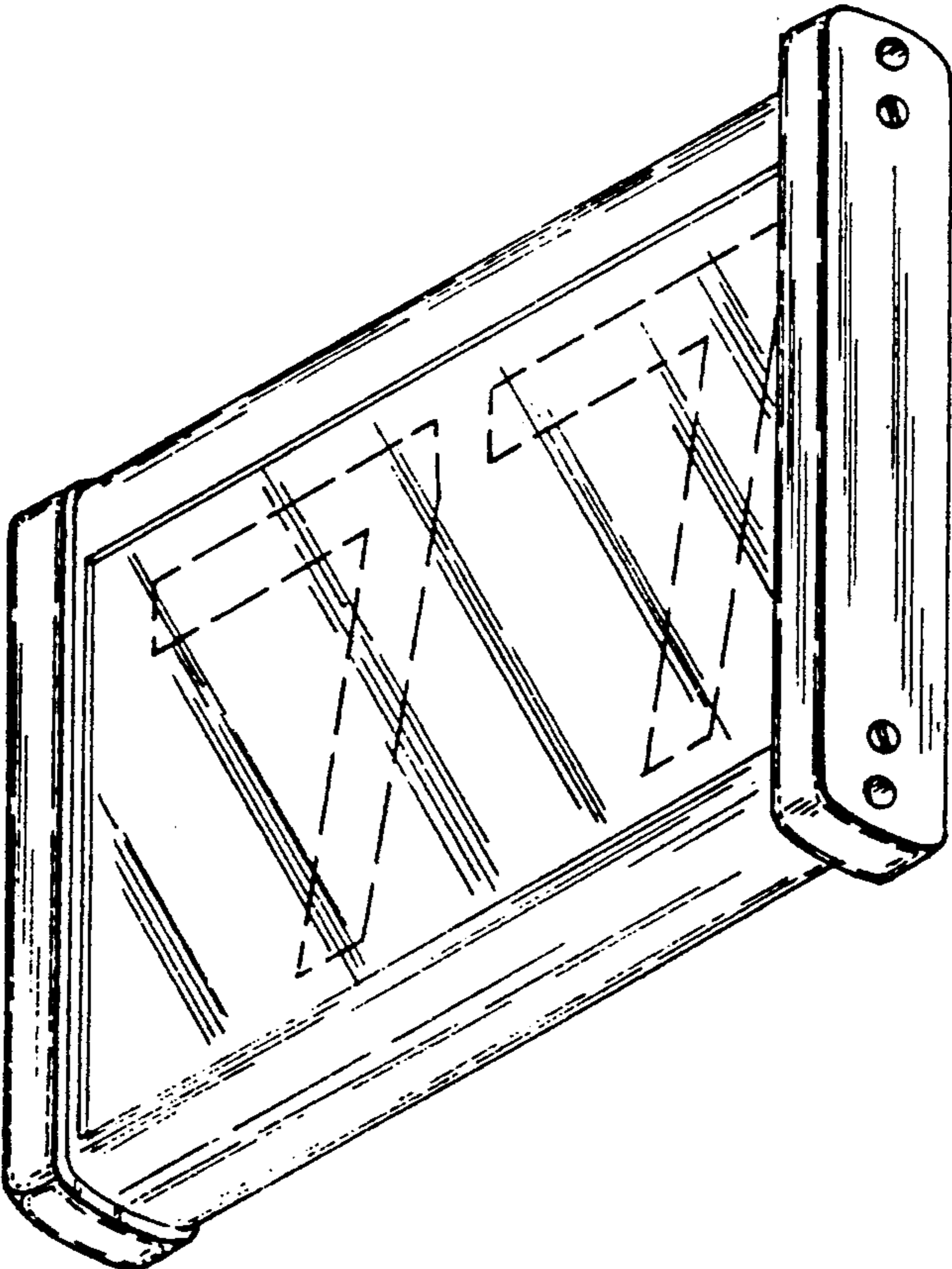


FIG. 2