



US00D343197S

United States Patent [19]

[11] Patent Number: **Des. 343,197**

Peersmann

[45] Date of Patent: **** Jan. 11, 1994**

[54] **DESK ORGANIZER**

D. 318,252 7/1991 Baker D11/131 X
D. 320,365 10/1991 Zawitz D11/131

[75] Inventor: **Richard F. M. Peersmann,**
Scheveningen, Netherlands

Primary Examiner—Bernard Ansher
Assistant Examiner—Dominic Simone
Attorney, Agent, or Firm—Foley & Lardner

[73] Assignee: **Pollyflame International B.V.,**
Roelofarendsveen, Netherlands

[57] **CLAIM**

[**] Term: **14 Years**

The ornamental design for a desk organizer, as shown and described.

[21] Appl. No.: **817,478**

DESCRIPTION

[22] Filed: **Jan. 7, 1992**

[52] U.S. Cl. **D19/75; D11/131;**
D19/82; D19/95

FIG. 1 is a perspective view of a desk organizer showing my new design in the extended position;
FIG. 2 is a perspective view thereof in the retracted position;
FIG. 3 is a front elevational view thereof;
FIG. 4 is a rear elevational view thereof;
FIG. 5 is a top plan view thereof;
FIG. 6 is a bottom plan view thereof;
FIG. 7 is a right side elevational view thereof; and,
FIG. 8 is a left side elevational view thereof.

[58] Field of Search 362/417, 418, 427, 269;
D11/131; D21/59; D26/60; D19/75, 68, 82,
83, 95

[56] **References Cited**

U.S. PATENT DOCUMENTS

D. 287,412 12/1986 Frivg D26/60

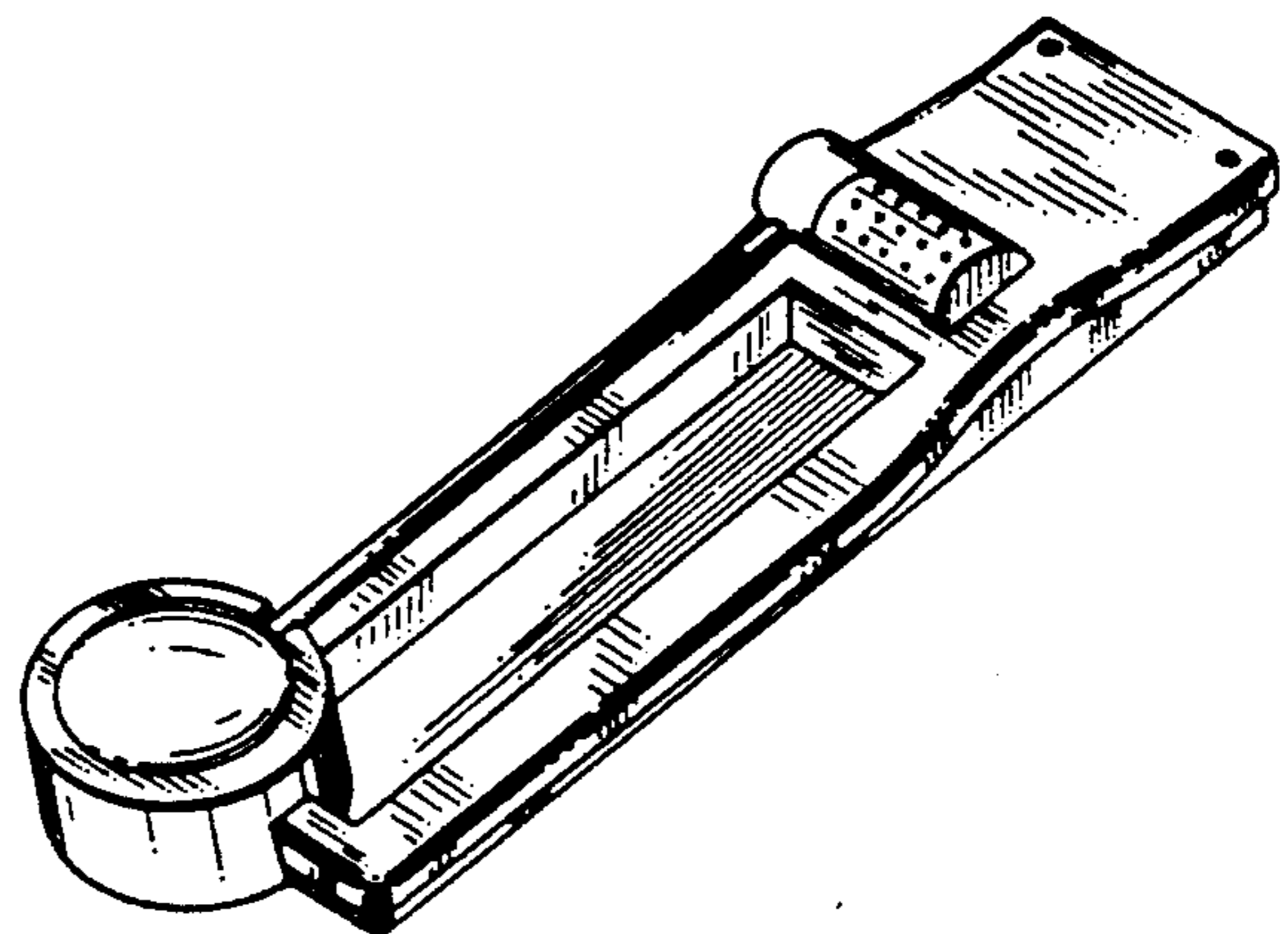
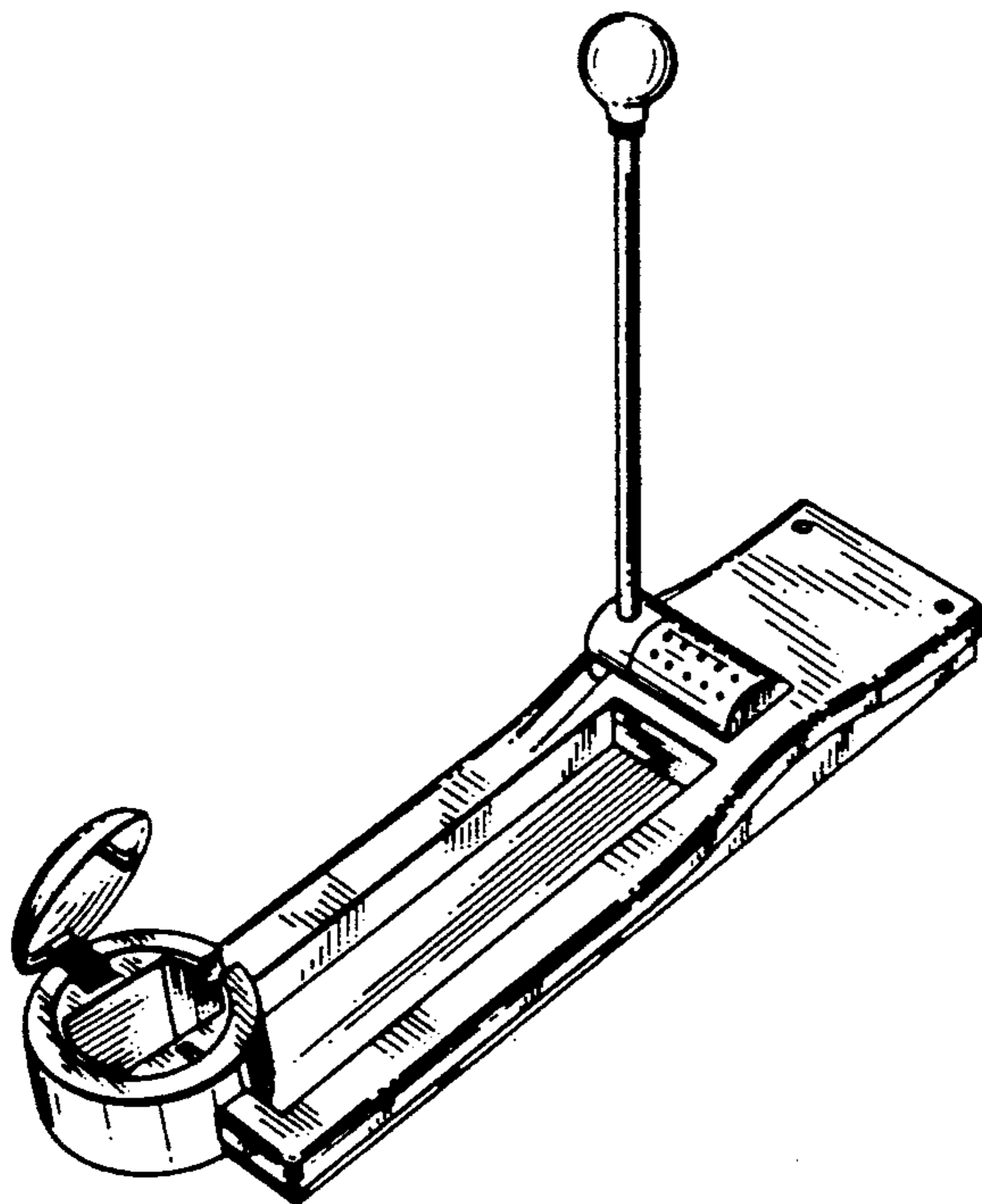


FIG. 1

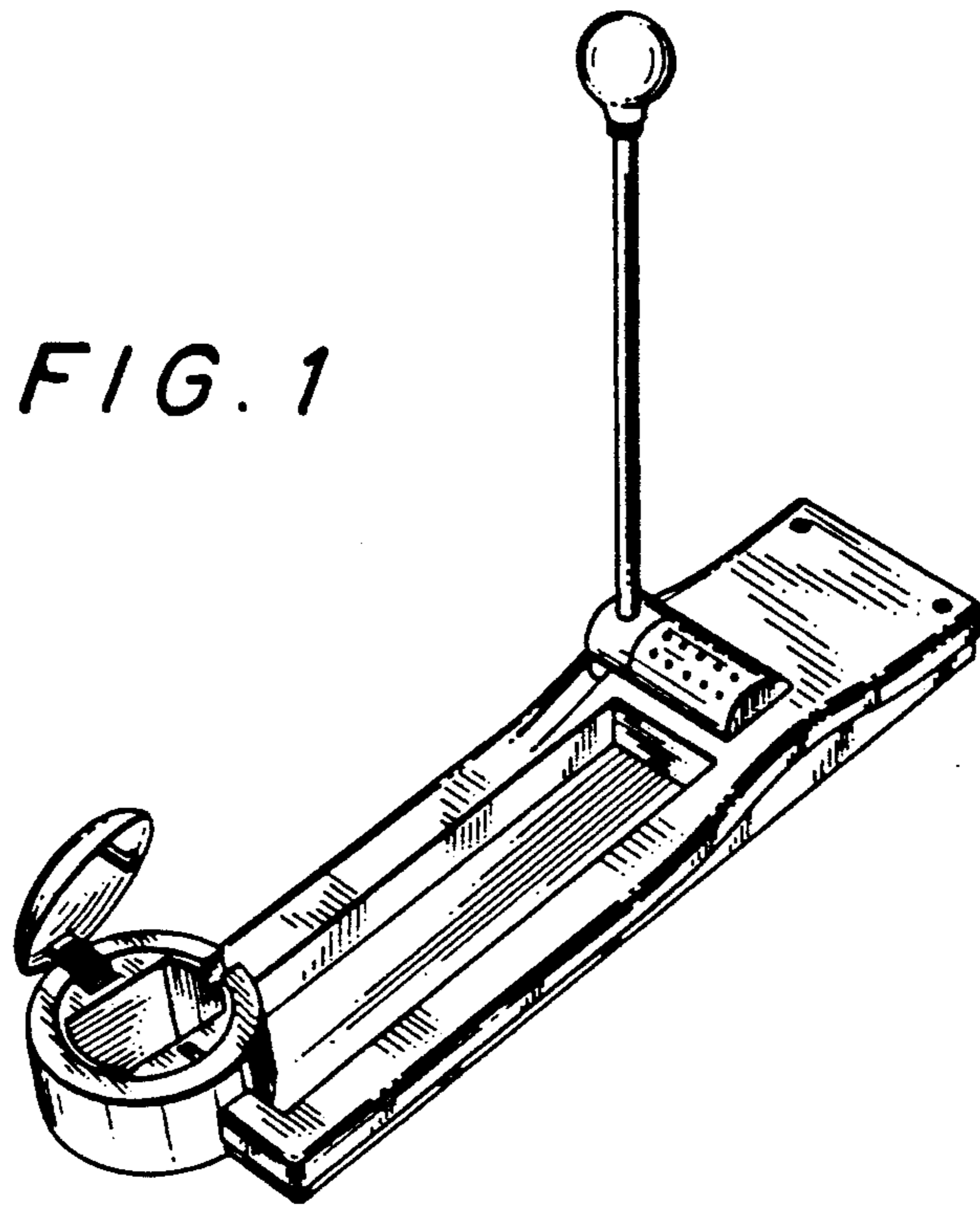


FIG. 2

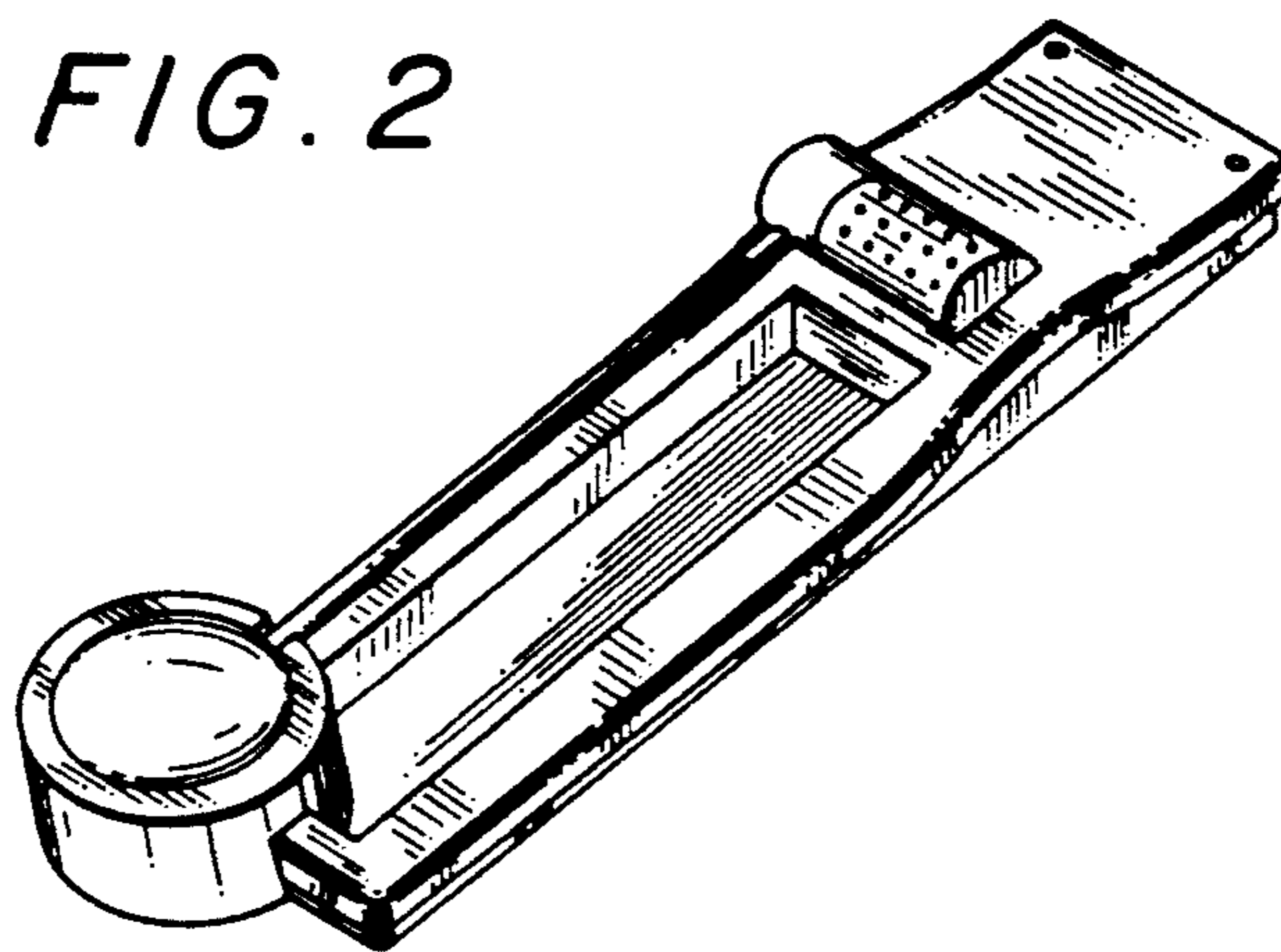


FIG. 3

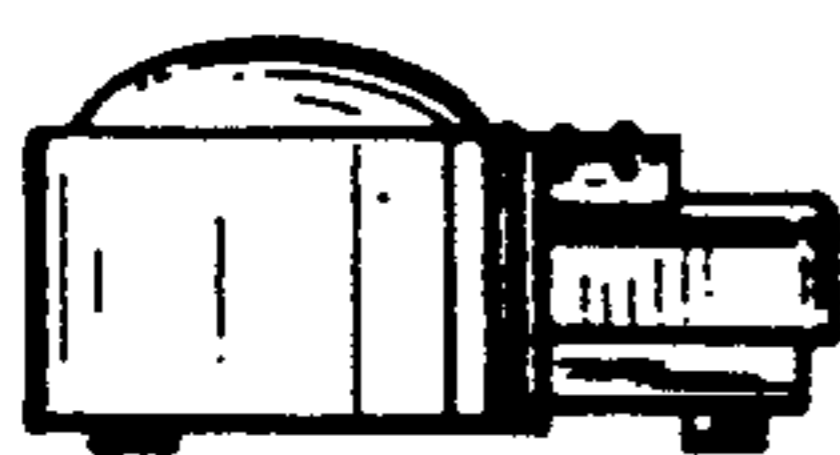


FIG. 4



FIG. 5

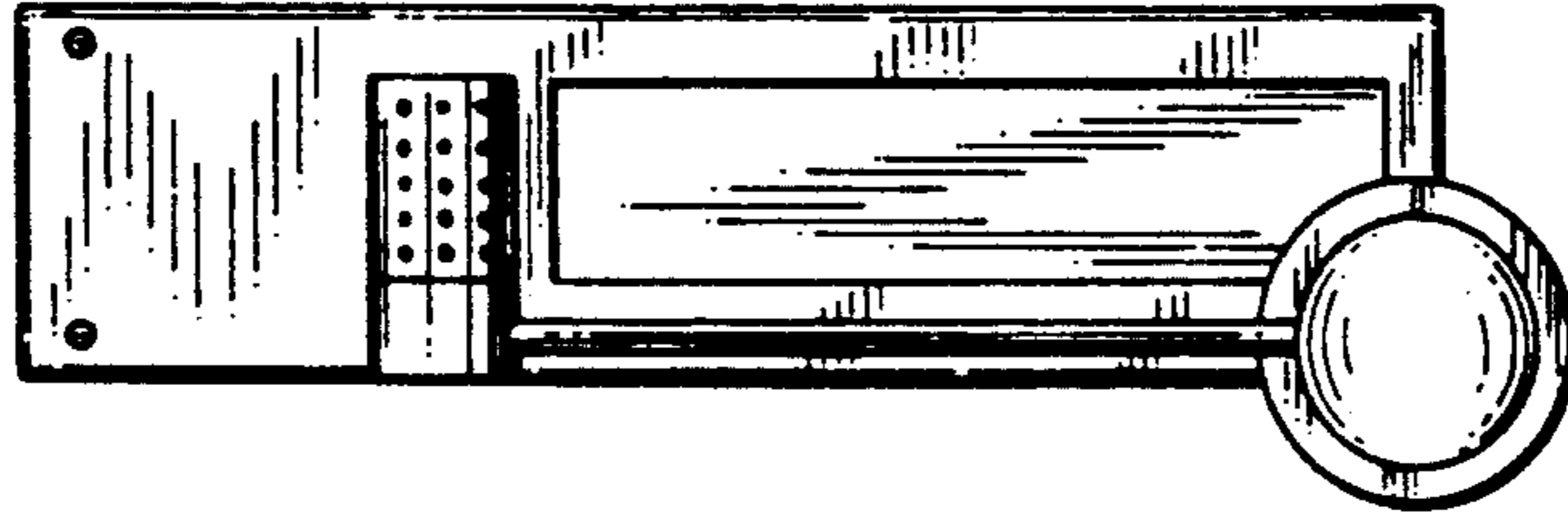


FIG. 6

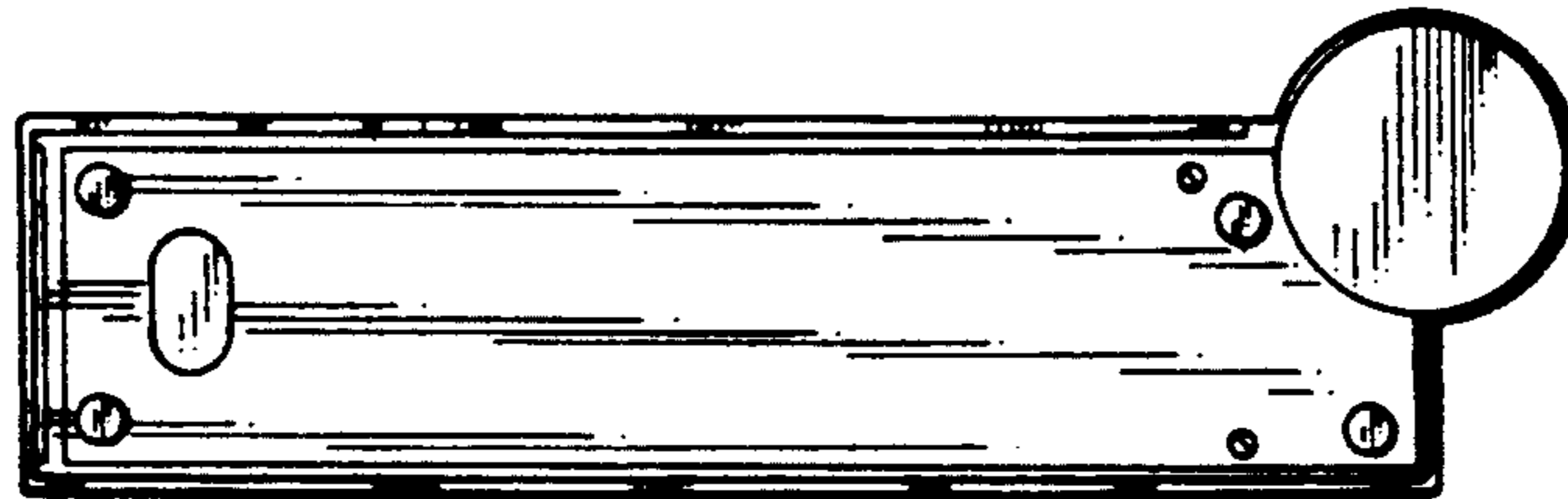


FIG. 7

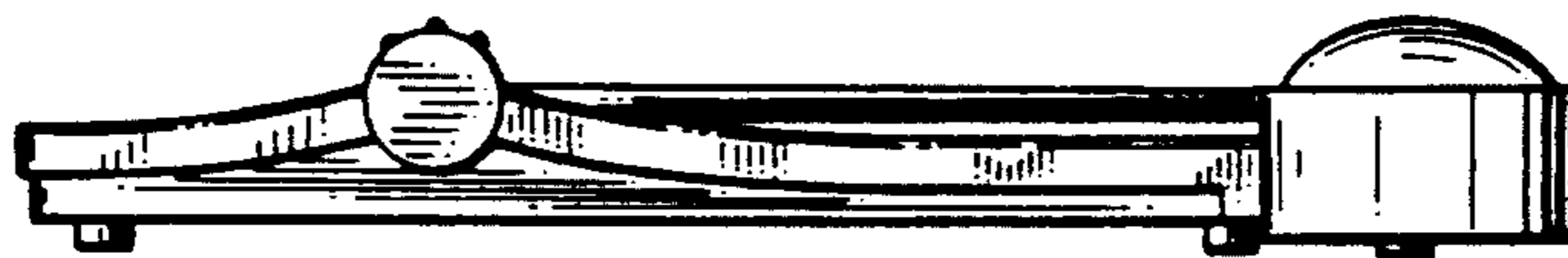


FIG. 8

