



US00D343196S

United States Patent [19]

[11] Patent Number: **Des. 343,196**

Liguori

[45] Date of Patent: **** Jan. 11, 1994**

[54] **WRITING INSTRUMENT CAP**

[75] Inventor: **Tom Liguori, San Diego, Calif.**

[73] Assignee: **Modern Mold International, San Diego, Calif.**

[**] Term: **14 Years**

[21] Appl. No.: **912,636**

[22] Filed: **Jul. 13, 1992**

[52] U.S. Cl. **D19/57; D19/51; D19/56**

[58] Field of Search **401/243, 244, 245, 246, 401/247; D19/35, 36, 41-51, 54-58, 81-85**

[56] **References Cited**

U.S. PATENT DOCUMENTS

D. 59,035	9/1921	Sheaffer	D19/46
D. 63,874	2/1924	Cleeland	D19/48 X
D. 119,006	2/1940	Ponath	D19/46
D. 179,615	1/1957	Spatz	D19/48 X
D. 229,109	11/1973	Lanoie	D19/46
D. 285,936	9/1986	Booker et al.	D19/51
D. 285,937	9/1986	Booker et al.	D19/51
D. 286,163	10/1986	Shintani	D19/43
D. 286,164	10/1986	Tinz	D19/48
D. 286,546	11/1986	Funahashi	D19/43
D. 286,547	11/1986	Koizumi et al.	D19/51
D. 286,646	11/1986	Mori	D19/36
D. 286,647	11/1986	Perrin	D19/47
D. 286,648	11/1986	Perrin	D19/47
D. 286,649	11/1986	Hamel	D19/48
D. 286,650	11/1986	Fischer	D19/55
D. 286,789	11/1986	Thompson et al.	D19/48
D. 286,790	11/1986	Bove	D19/50
D. 286,791	11/1986	Booker	D19/51
D. 286,893	11/1986	Regnault	D19/51
D. 286,894	11/1986	Haas et al.	D19/88
D. 287,028	12/1986	Thevenot	D19/51
D. 287,141	12/1986	Regnault	D19/43
D. 287,373	12/1986	Regnault	D19/43
D. 287,603	1/1987	Bruhn	D19/48
D. 287,736	1/1987	Henkels	D19/49

D. 287,860	1/1987	McShirley	D19/42
D. 288,335	2/1987	Regnault	D19/49
D. 288,336	2/1987	Carroll et al.	D19/54
D. 288,450	2/1987	Regnault	D19/49
D. 288,825	3/1987	Thompson et al.	D19/48
D. 289,304	4/1987	Giugiaro	D19/48
D. 289,424	4/1987	Huang	D19/36
D. 289,425	4/1987	Thévenot	D19/49
D. 290,265	6/1987	Holznecht et al.	D19/47
D. 291,452	8/1987	Kodera	D19/57
3,289,636	12/1966	Tessler	120/18
3,289,637	12/1966	Tessler	120/18

OTHER PUBLICATIONS

Trademark Reg. No. 1,431,905, U.S. Patent and Trademark Office, Mar. 10, 1987.

Trademark Ser. No. 548,126, filed Jul. 15, 1985, *Official Gazette of the U.S. Patent and Trademark Office*, Nov. 12, 1985, p. TM 77.

Trademark Ser. No. 481,405, filed May 21, 1984, *Official Gazette of the U.S. Patent and Trademark Office*, Nov. 3, 1987, p. TM 65.

Primary Examiner—Nelson C. Holtje
Assistant Examiner—Martha Thompson
Attorney, Agent, or Firm—Spensley Horn Jubas & Lubitz

[57] **CLAIM**

The ornamental design for a writing instrument cap, as shown and described.

DESCRIPTION

FIG. 1 is a top left perspective view of a writing instrument cap showing my new design; FIG. 2 is a front elevational view; FIG. 3 is a right side elevational view; FIG. 4 is a rear elevational view; FIG. 5 is a top plan view; and, FIG. 6 is a bottom plan view thereof. The writing instrument barrel depicted by means of broken lines in FIG. 1 is shown for illustrative purposes only and forms no part of the claimed design.

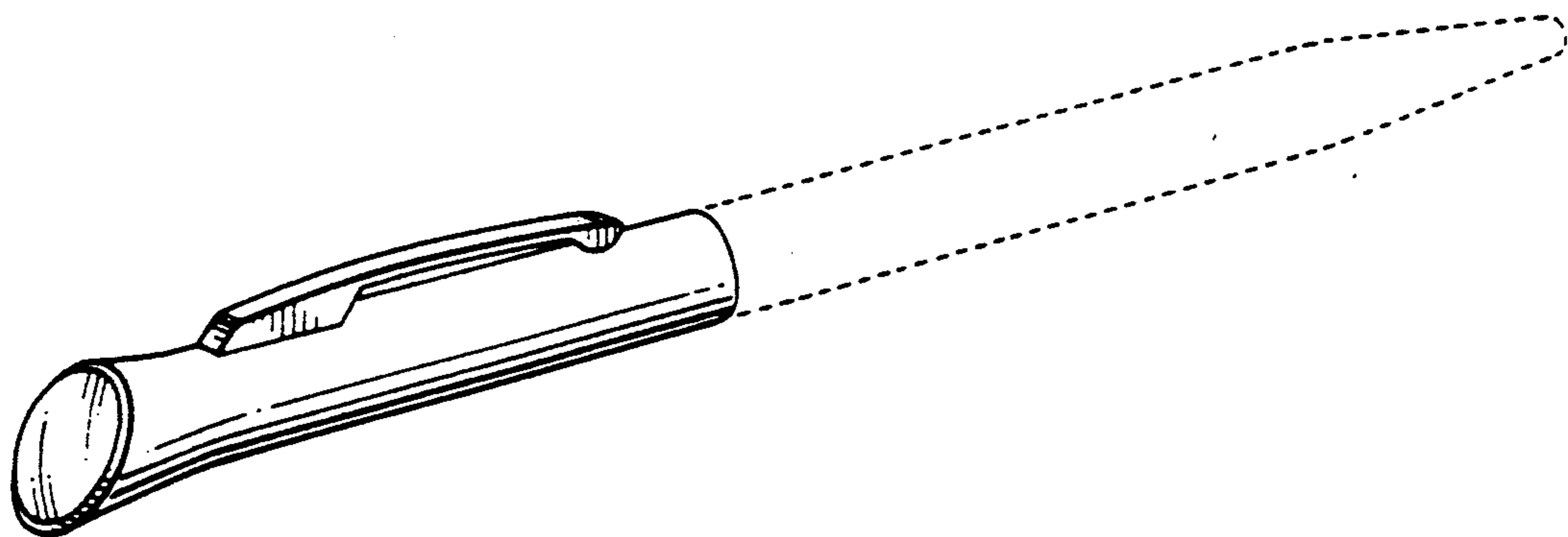


FIG. 1

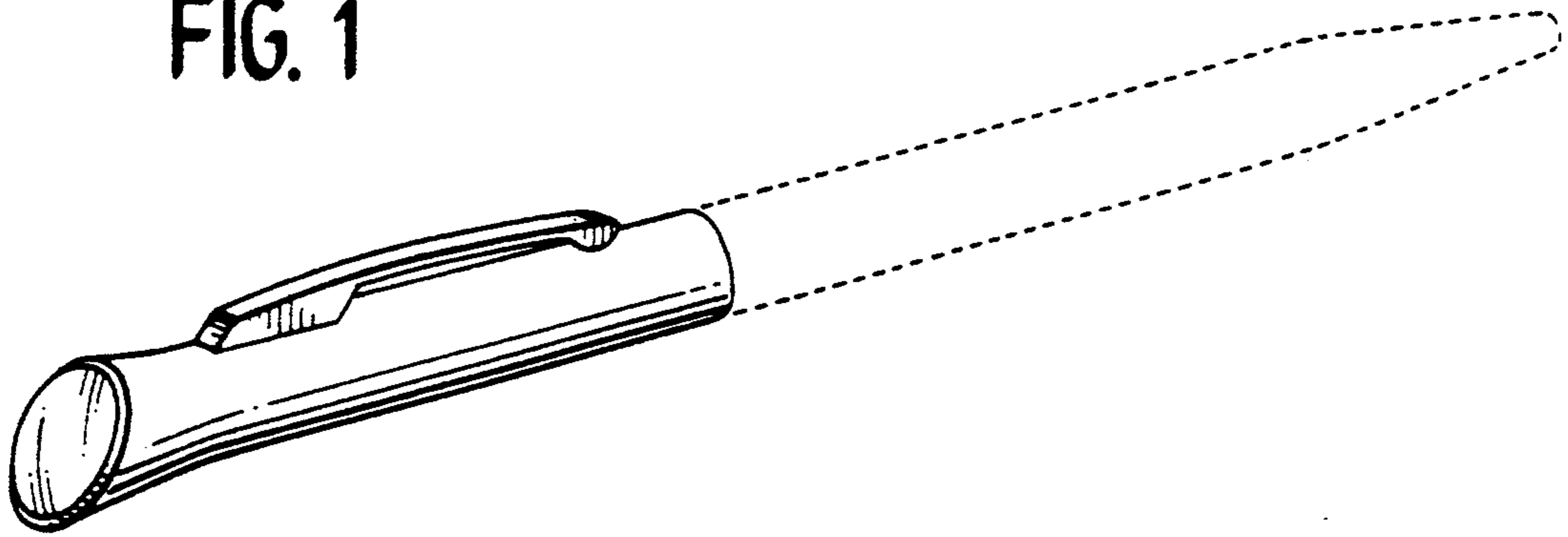


FIG. 2

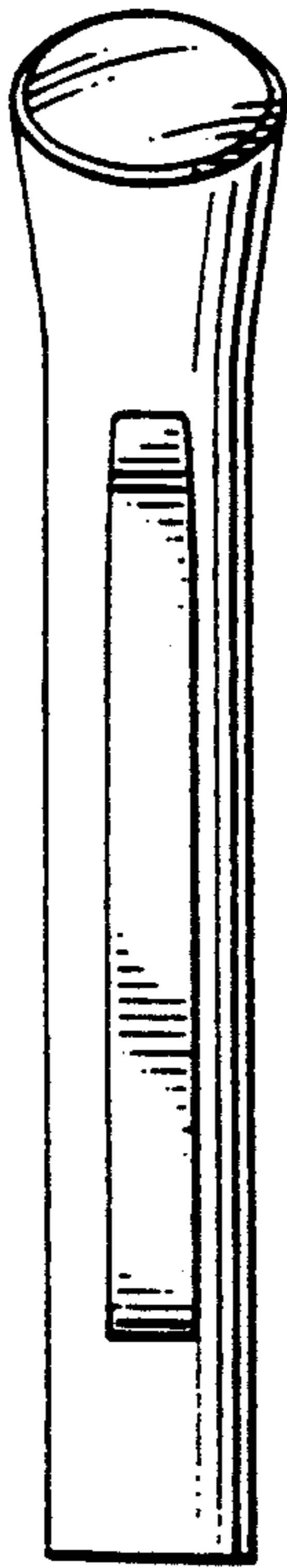


FIG. 3

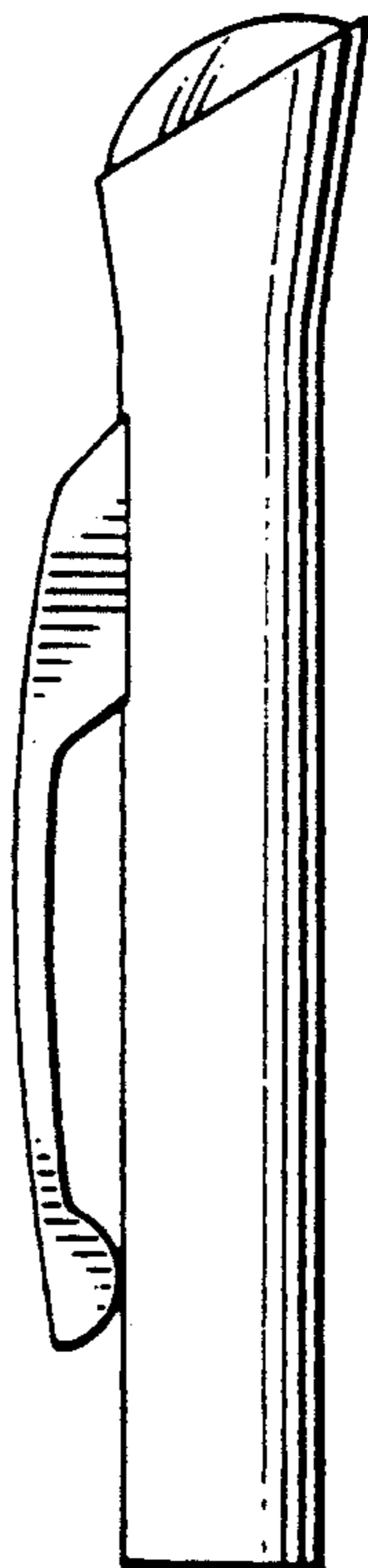


FIG. 4

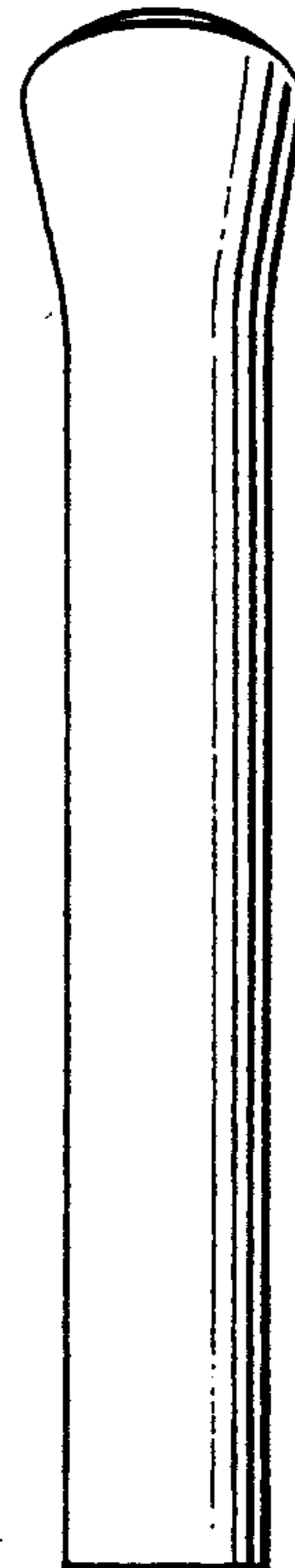


FIG. 5

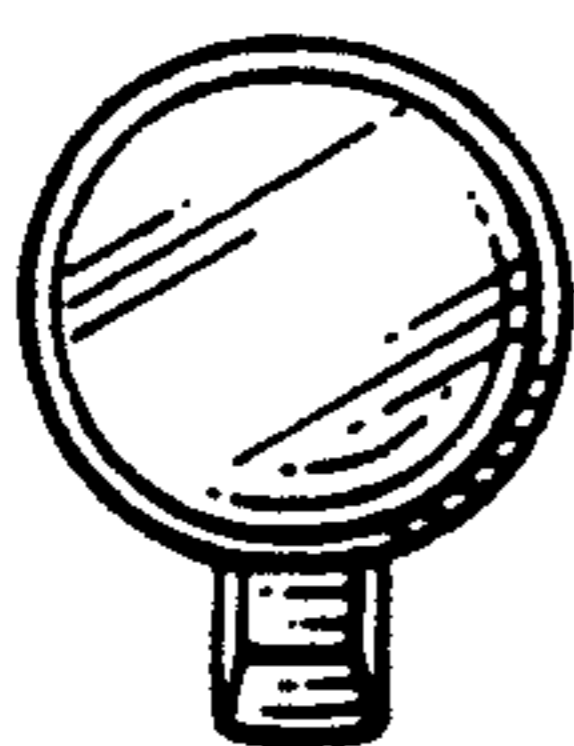


FIG. 6

