



US00D343193S

United States Patent [19]

[11] Patent Number: Des. 343,193

Tsuchida et al.

[45] Date of Patent: ** Jan. 11, 1994

[54] **PRINTER**

[75] Inventors: **Makoto Tsuchida; Yoshinori Kakiuchi; Kazuyasu Sato**, all of Kawasaki, Japan

[73] Assignee: **Fujitsu Limited**, Kawasaki, Japan

[**] Term: **14 Years**

[21] Appl. No.: **894,788**

[22] Filed: **Jun. 5, 1992**

[30] **Foreign Application Priority Data**

Dec. 11, 1991 [JP] Japan 3-37345

[52] U.S. Cl. **D18/55**

[58] Field of Search 400/690-694, 613, 613.1-613.4, 690.1-690.4; D18/50, 54, 55

[56] **References Cited**

U.S. PATENT DOCUMENTS

- D. 319,655 9/1991 Tokuda et al. D18/54
- D. 319,656 9/1991 Tashiro et al. D18/54

- D. 320,406 10/1991 Tokuda D18/54
- D. 321,532 11/1991 Doyle et al. D18/55
- D. 325,216 4/1992 Girard D18/55
- D. 335,501 5/1993 Faranda D18/55

OTHER PUBLICATIONS

Canon Corporation Japanese Publication; "Laser Shot" Catalog pg.

Primary Examiner—A. Hugo Word
Assistant Examiner—Cathy Anne MacCormac
Attorney, Agent, or Firm—Staas & Halsey

[57] **CLAIM**

The ornamental design for a printer, as shown.

DESCRIPTION

FIG. 1 is a perspective view of our printer design; FIG. 2 is a front elevational view thereof; FIG. 3 is a left side elevational view thereof; FIG. 4 is a rear elevational view thereof; FIG. 5 is a right side elevational view thereof; FIG. 6 is a top plan view thereof; and, FIG. 7 is a bottom plan view thereof.

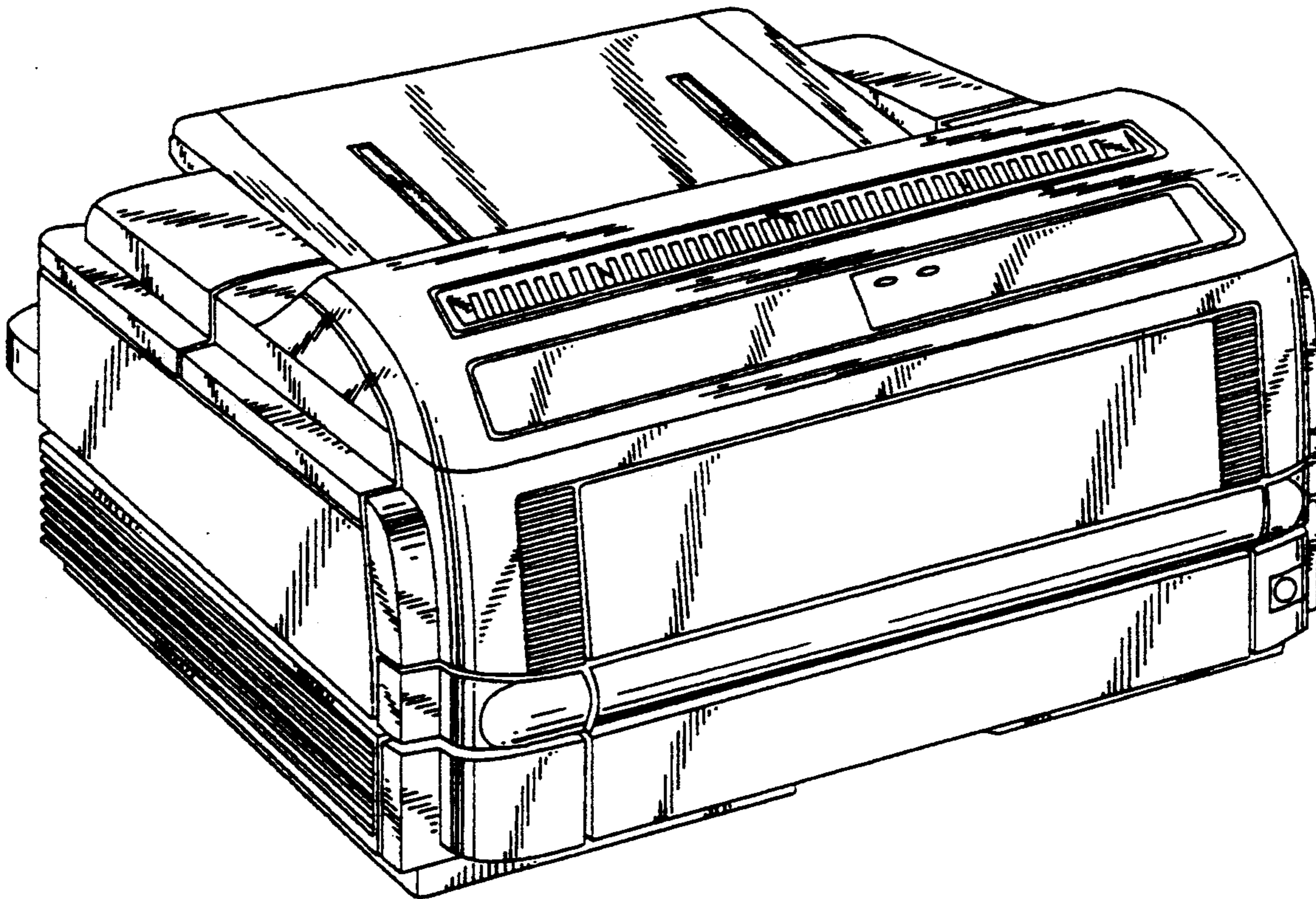


FIG. 1

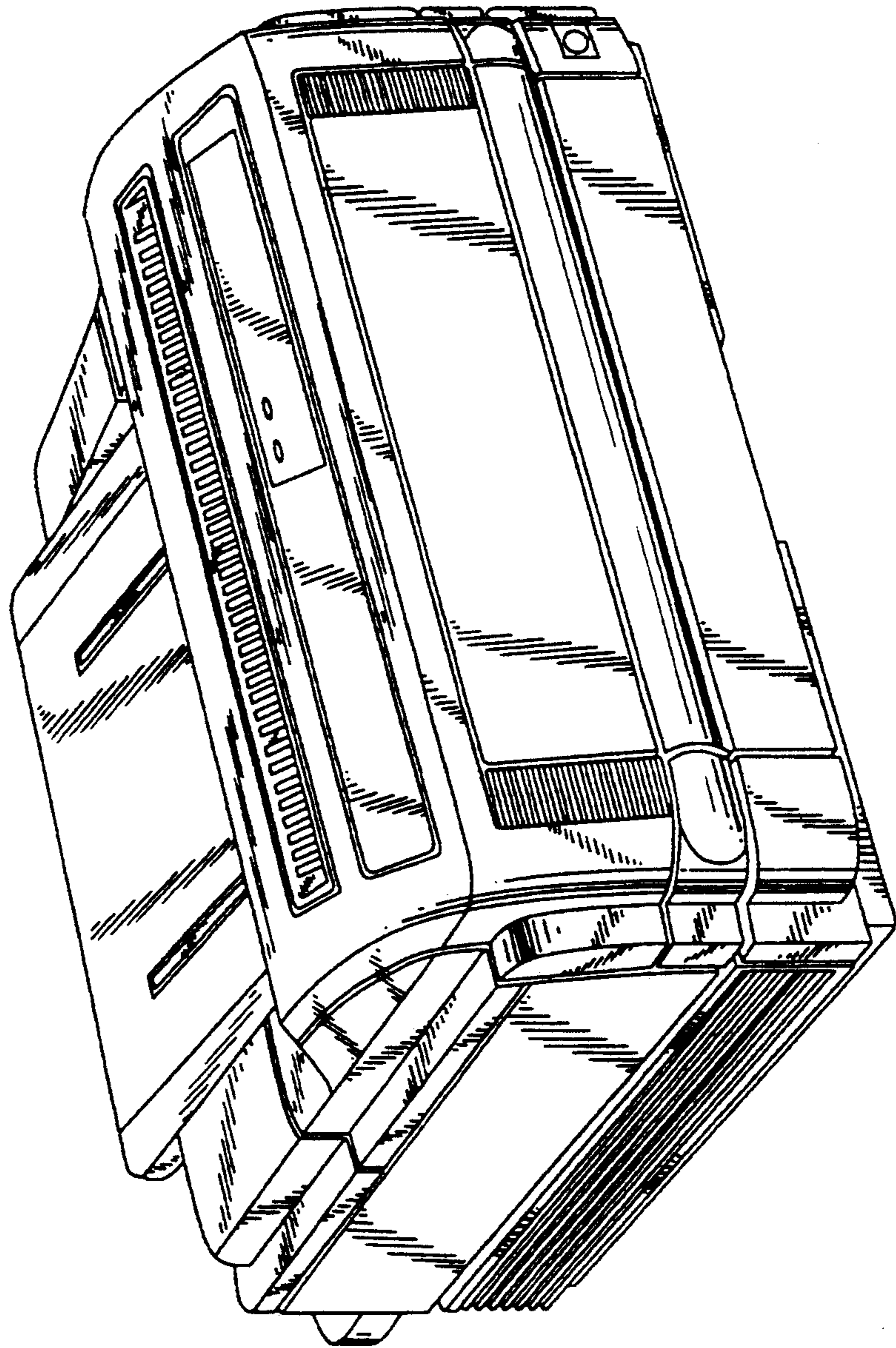


FIG. 4

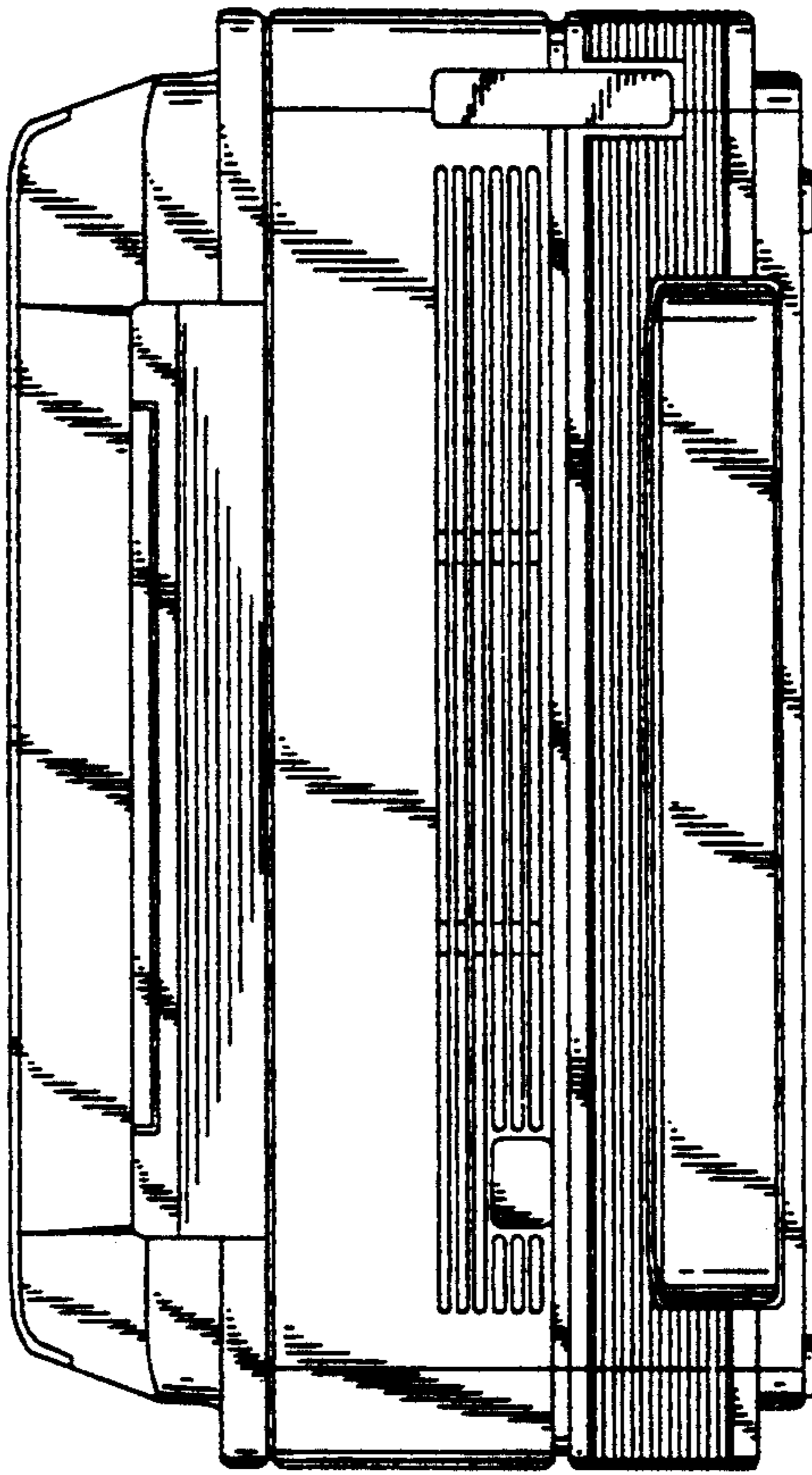


FIG. 2

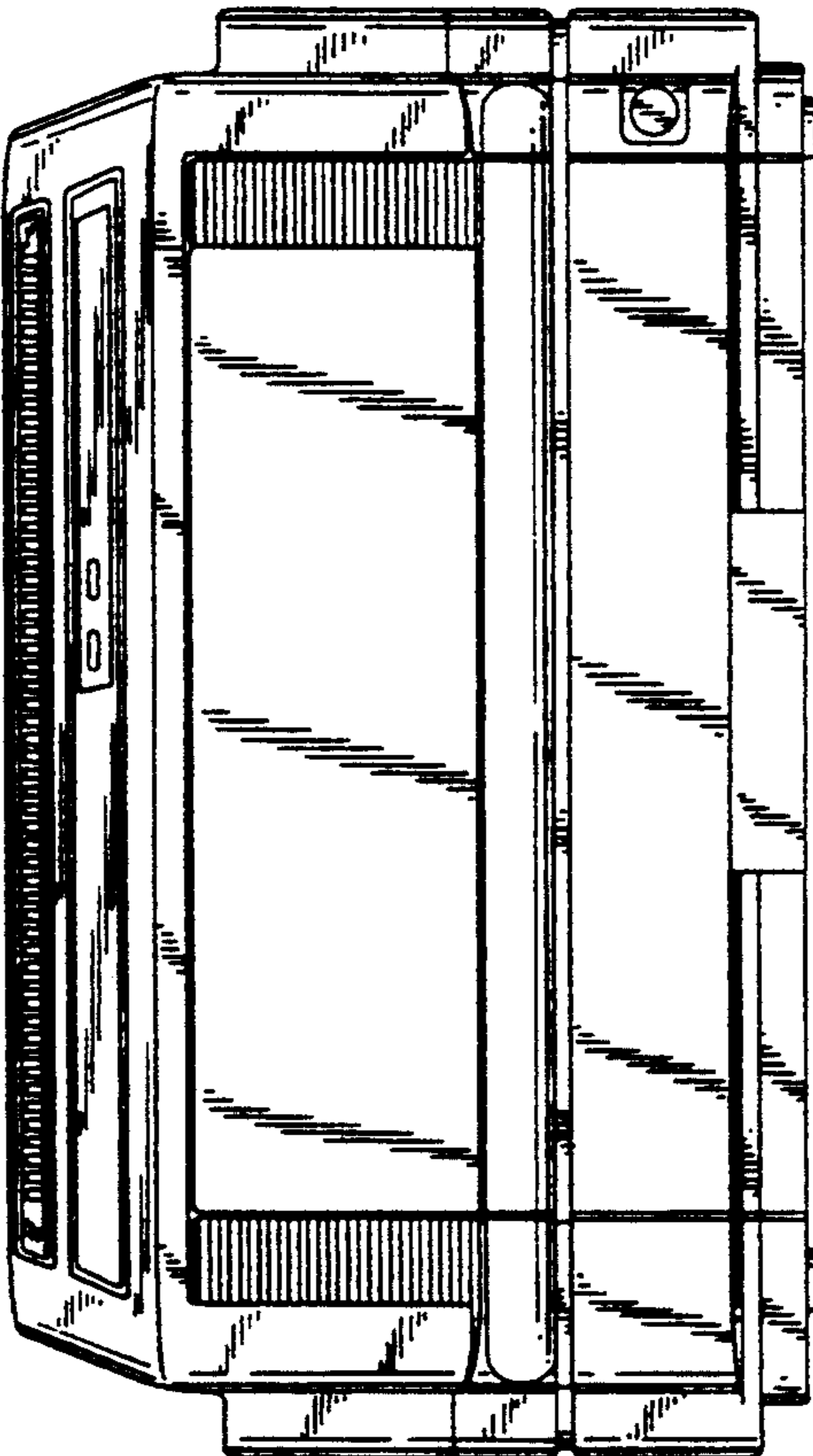


FIG. 3

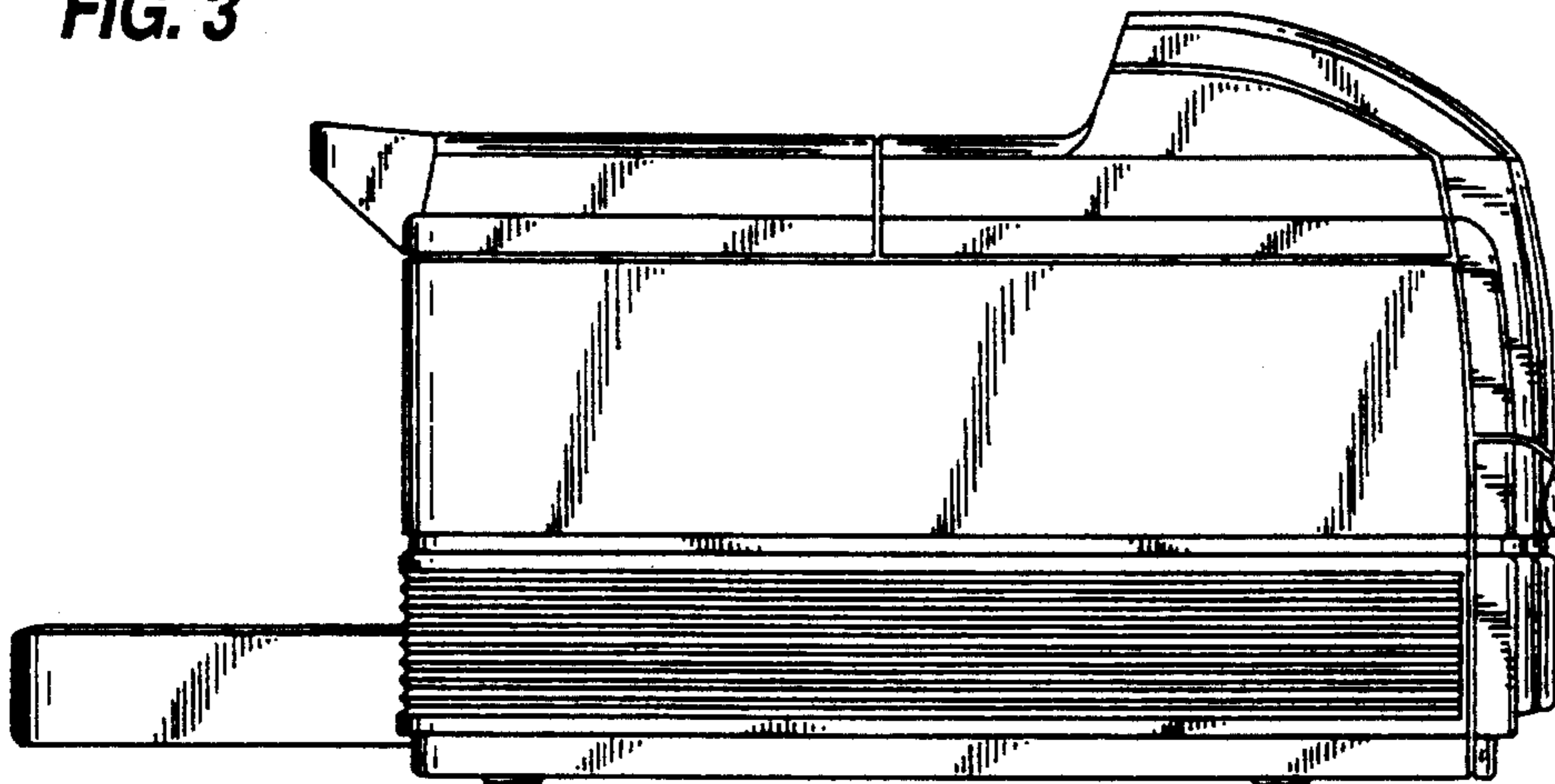


FIG. 5

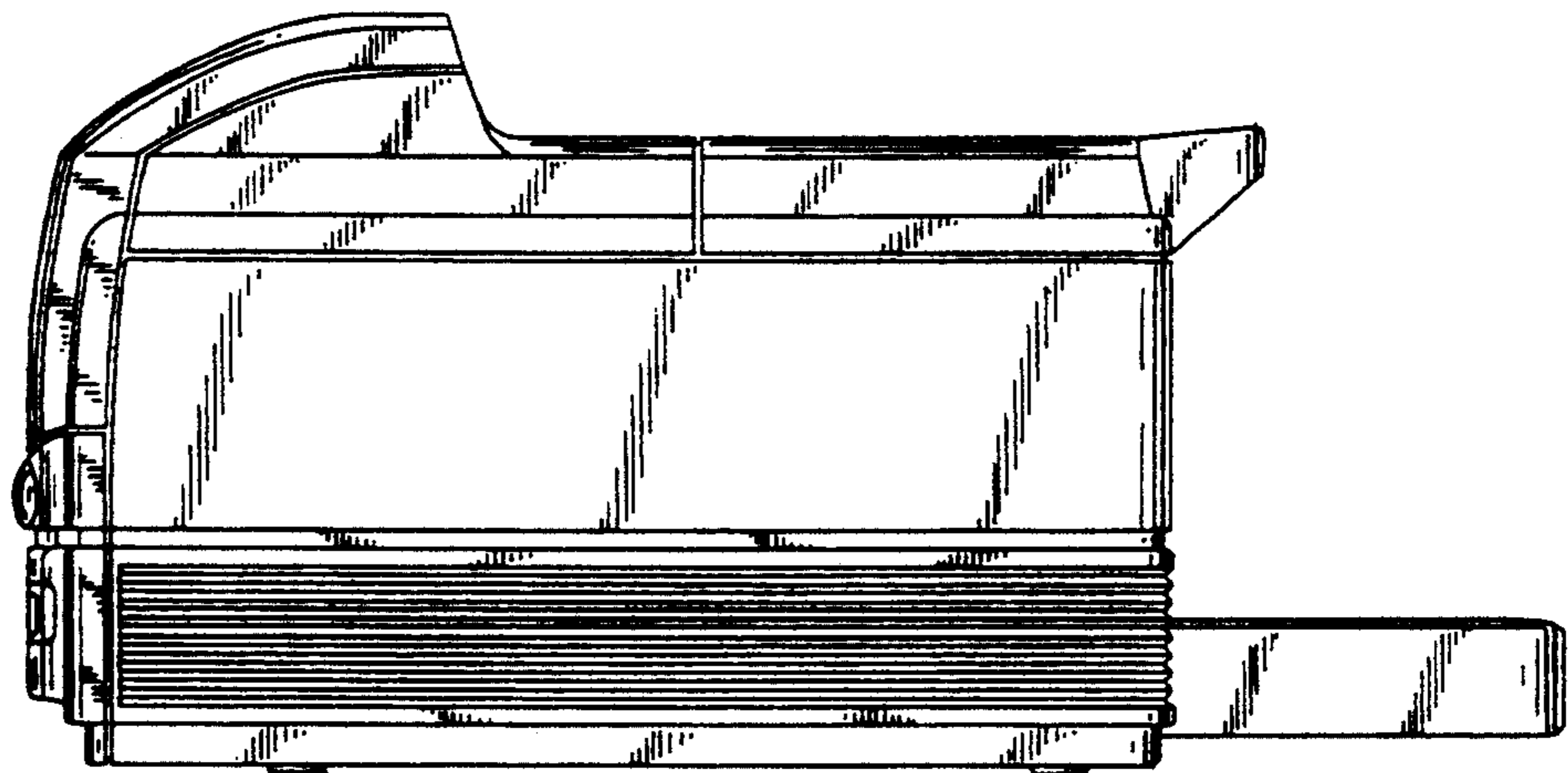


FIG. 7

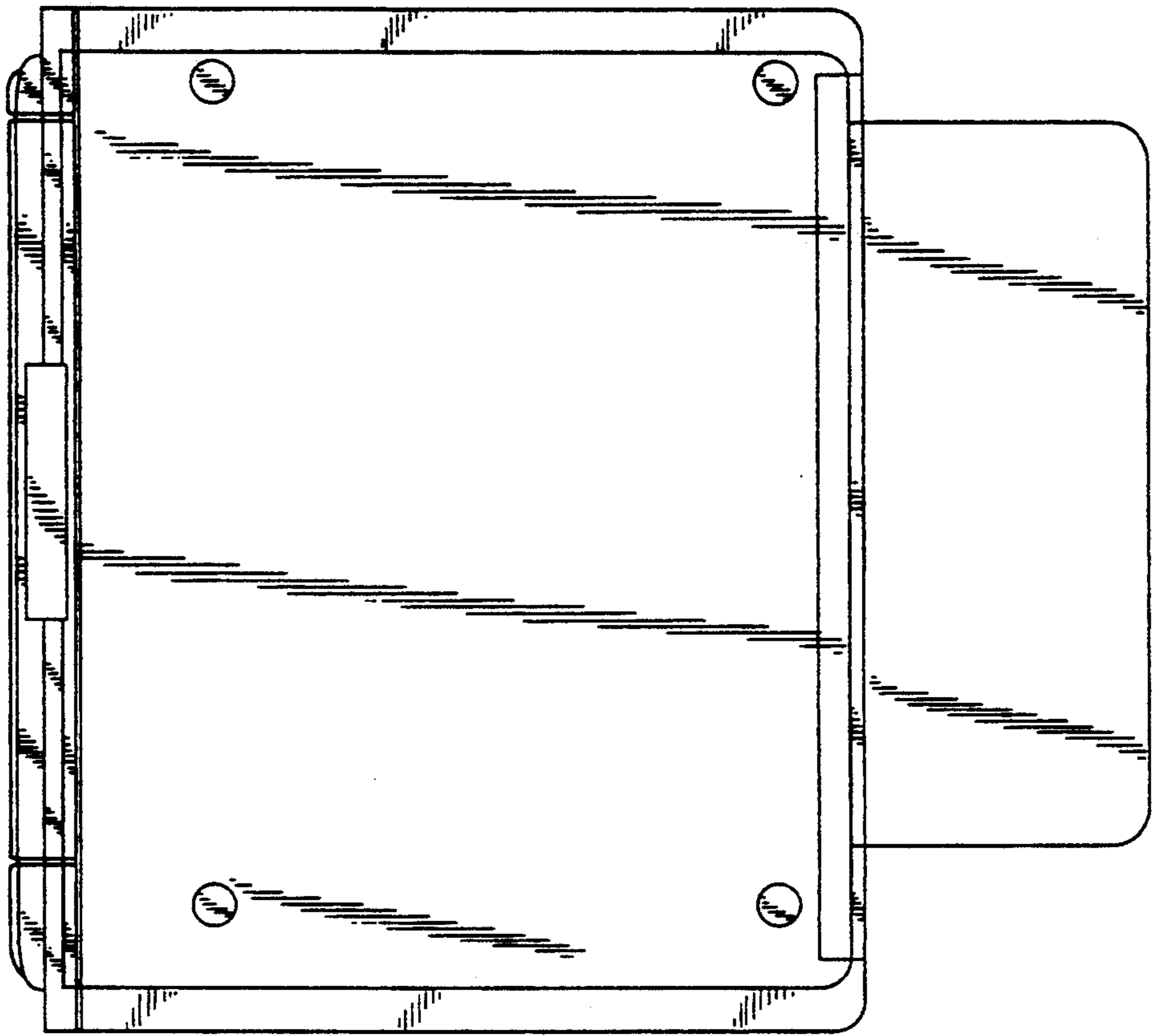


FIG. 6

