



US00D343185S

# United States Patent [19]

[11] Patent Number: Des. 343,185

Baker

[45] Date of Patent: \*\* Jan. 11, 1994

[54] TRIPOD

1,358,402	11/1920	Thalhammer	.....	248/168
2,463,655	3/1949	Temple, Jr.	.....	248/168
2,519,549	8/1950	Coutant et al.	.....	248/188.5

[75] Inventor: Harry J. Baker, Pinner, United Kingdom

[73] Assignee: Ronford-Baker Engineering Co., Ltd., United Kingdom

Primary Examiner—Melvin B. Feifer  
Assistant Examiner—Adir Aronovich  
Attorney, Agent, or Firm—Christie, Parker & Hale

[\*\*] Term: 14 Years

[57] CLAIM

[21] Appl. No.: 850,792

The ornamental design for a tripod, as shown and described.

[22] Filed: Mar. 13, 1992

[30] Foreign Application Priority Data

Sep. 14, 1991 [GB] United Kingdom ..... 2017472

[52] U.S. Cl. .... D16/244

[58] Field of Search ..... 248/168-171, 188.5;  
354/293; D16/237, 242, 244, 245

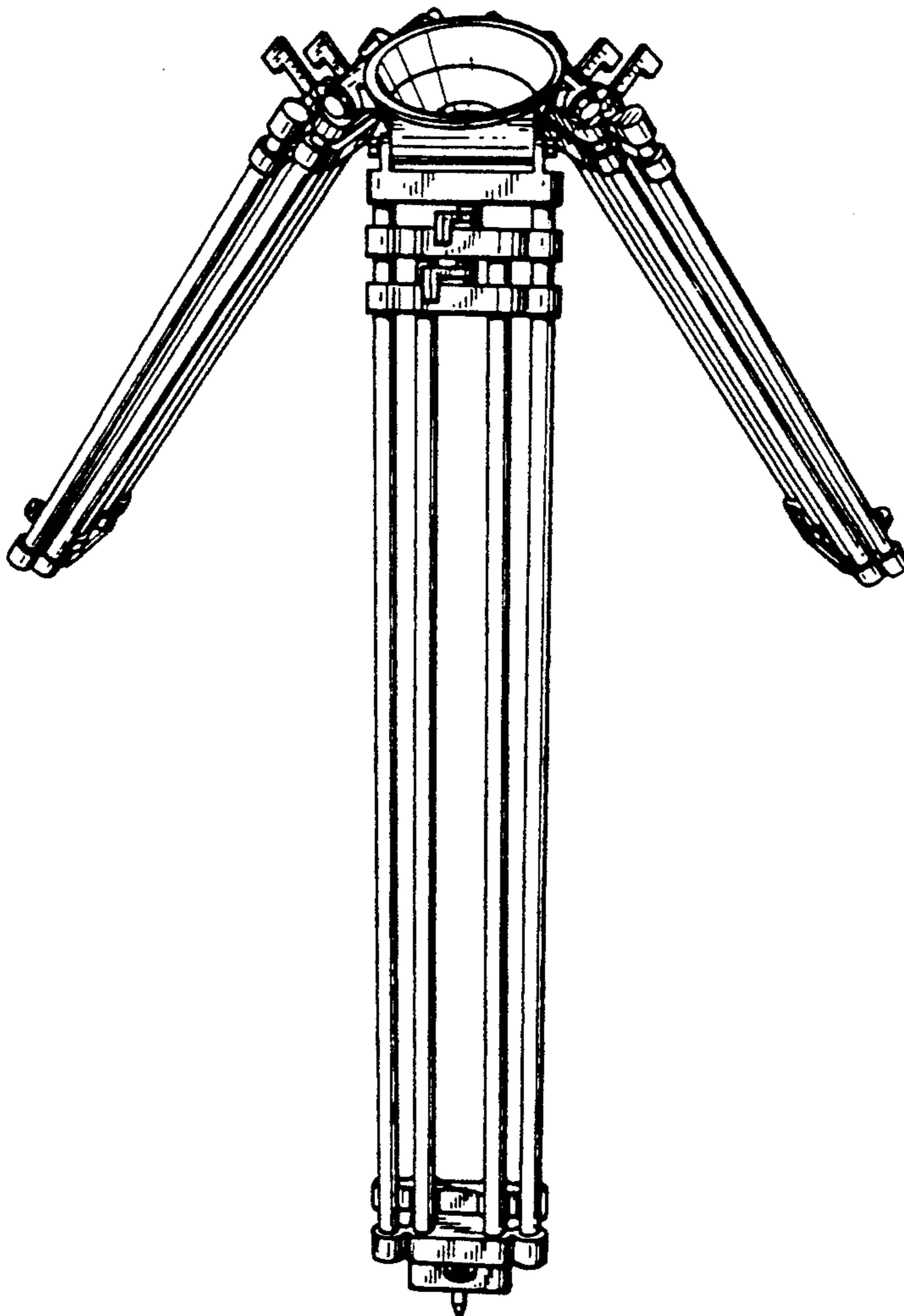
### DESCRIPTION

[56] References Cited

#### U.S. PATENT DOCUMENTS

D. 233,368	10/1974	Schimpf	.....	D16/244
D. 276,622	12/1984	Mooney et al.	.....	D16/244
D. 290,963	7/1987	Groschupp	.....	D16/244
821,335	5/1906	Butler	.....	248/168

FIG. 1 is a front elevation view of a tripod showing my new design, with the legs fully extended;  
 FIG. 2 is a rear elevational view thereof;  
 FIG. 3 is a side elevational view with the legs partially extended and the third leg not shown for clarity;  
 FIG. 4 is a side opposite of that shown in FIG. 3 thereof;  
 FIG. 5 is a bottom elevation view with the legs extended;  
 FIG. 6 is a top elevation view with the legs extended; and,  
 FIG. 7 is a top perspective view with the legs retracted.



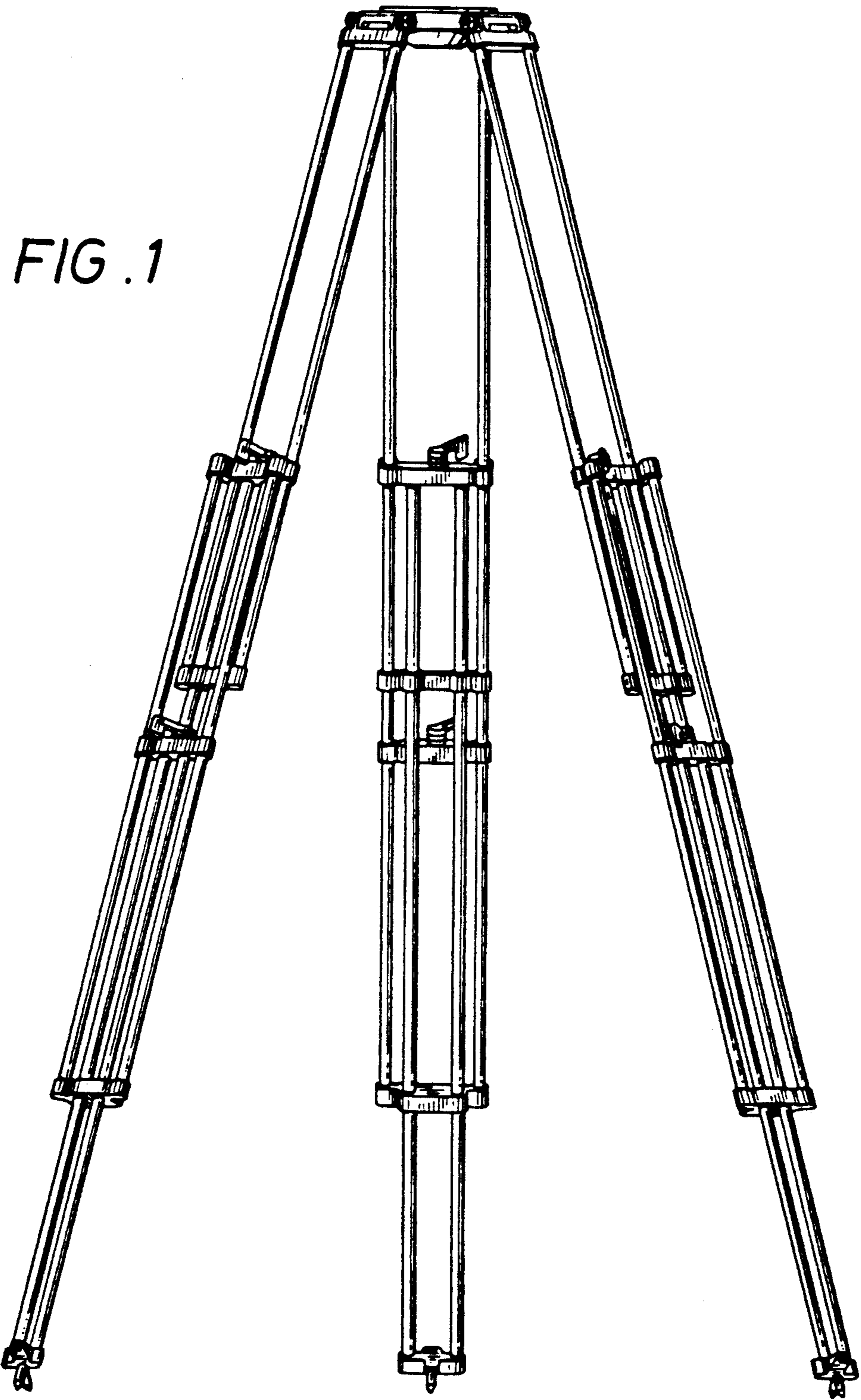


FIG. 1

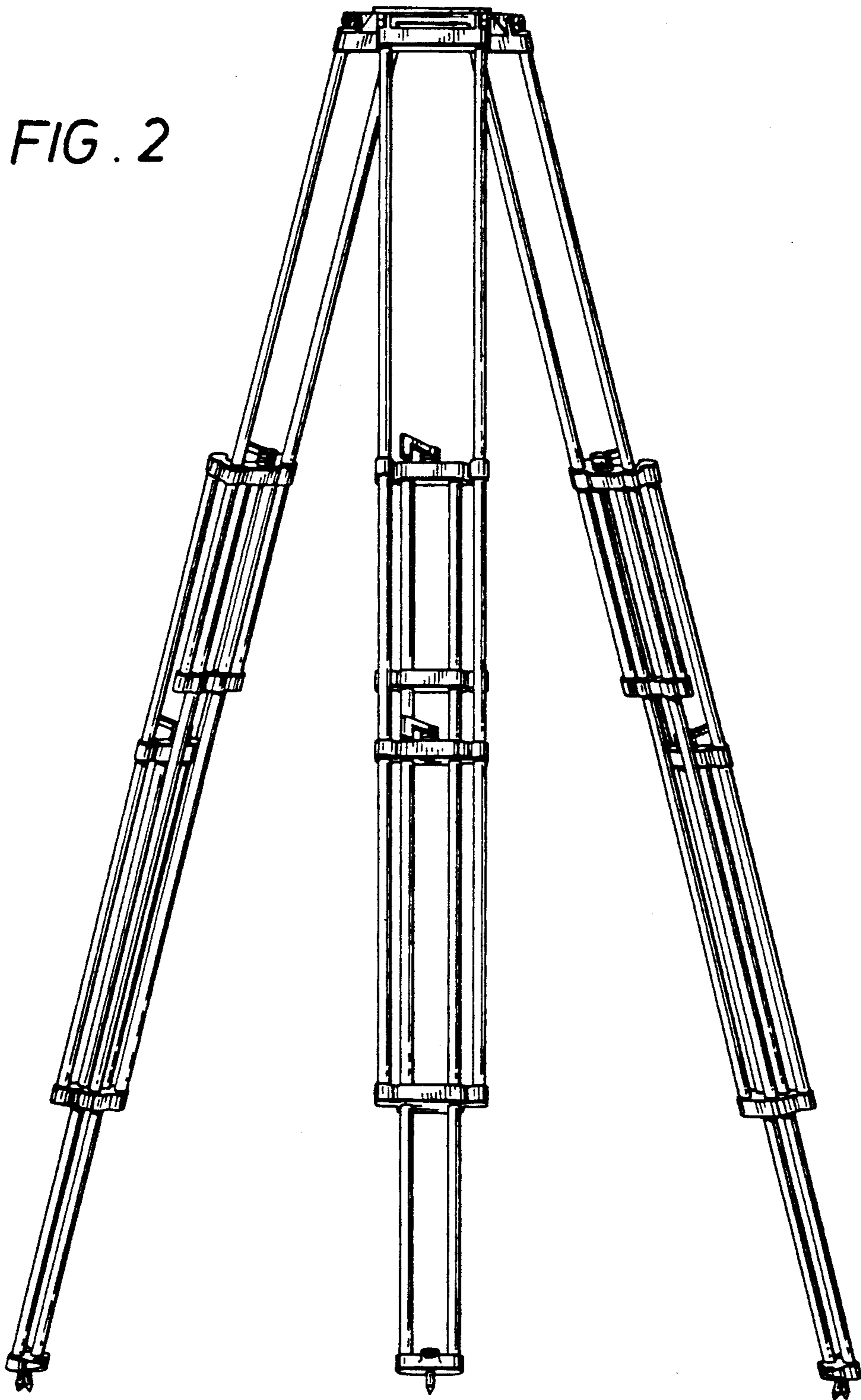


FIG. 3

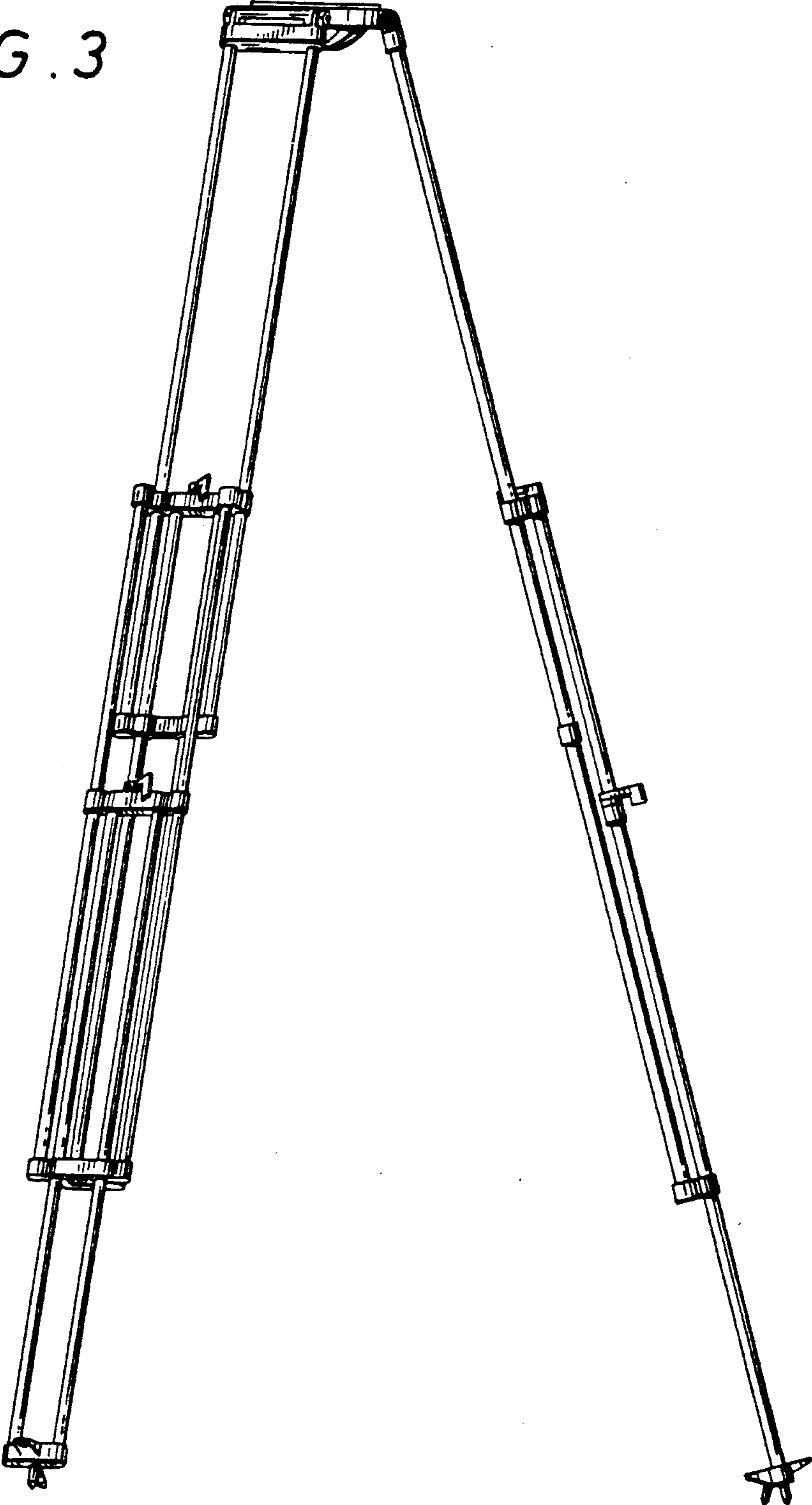


FIG. 4

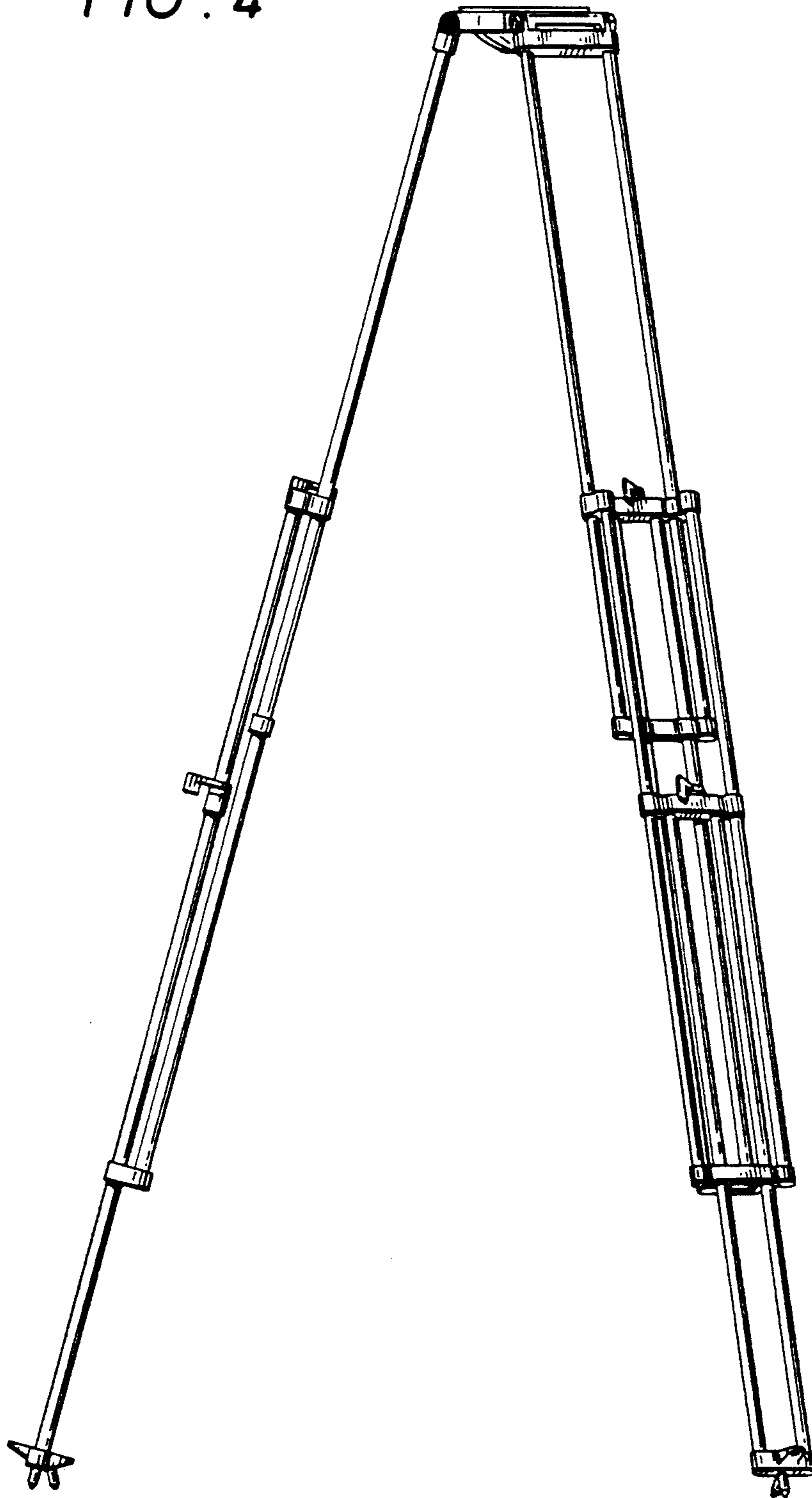


FIG. 5

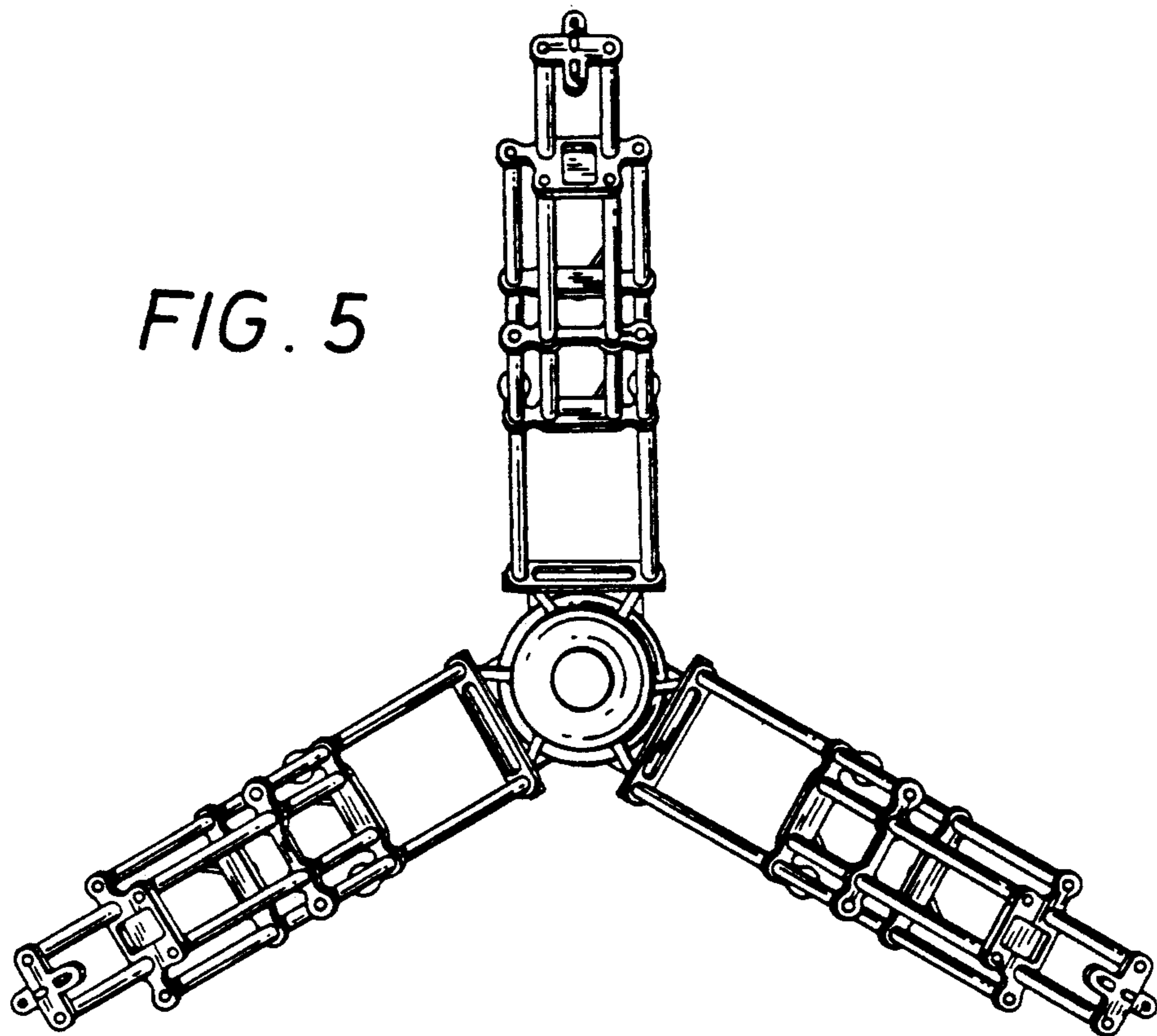


FIG. 6

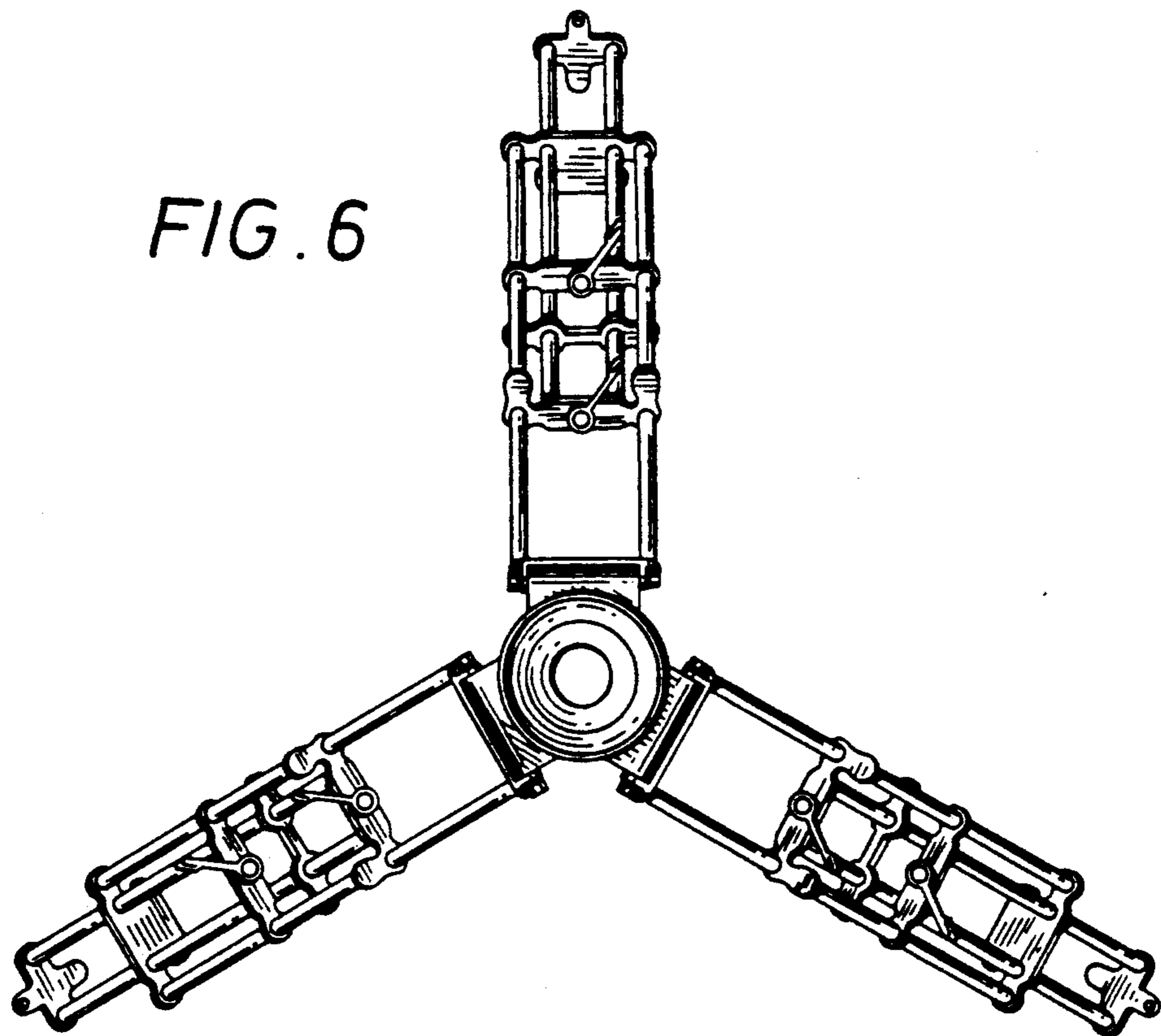


FIG. 7

