



US00D343181S

United States Patent [19]
Garcia

[11] **Patent Number: Des. 343,181**

[45] **Date of Patent: ** Jan. 11, 1994**

[54] **TIRE BEAD BREAKER**

D. 327,282 6/1992 Garcia D15/199

[76] **Inventor: Ramiro S. Garcia, 7339 Clearwater, San Antonio, Tex. 78238**

Primary Examiner—Nelson C. Holtje
Assistant Examiner—Antoine D. Davis
Attorney, Agent, or Firm—Gunn, Lee & Miller

[**] **Term: 14 Years**

[57] **CLAIM**

[21] **Appl. No.: 953,739**

The ornamental design for a tire bead breaker, as shown.

[22] **Filed: Sep. 30, 1992**

[52] **U.S. Cl. D15/199**

[58] **Field of Search 29/244, 245; D15/199; D34/31**

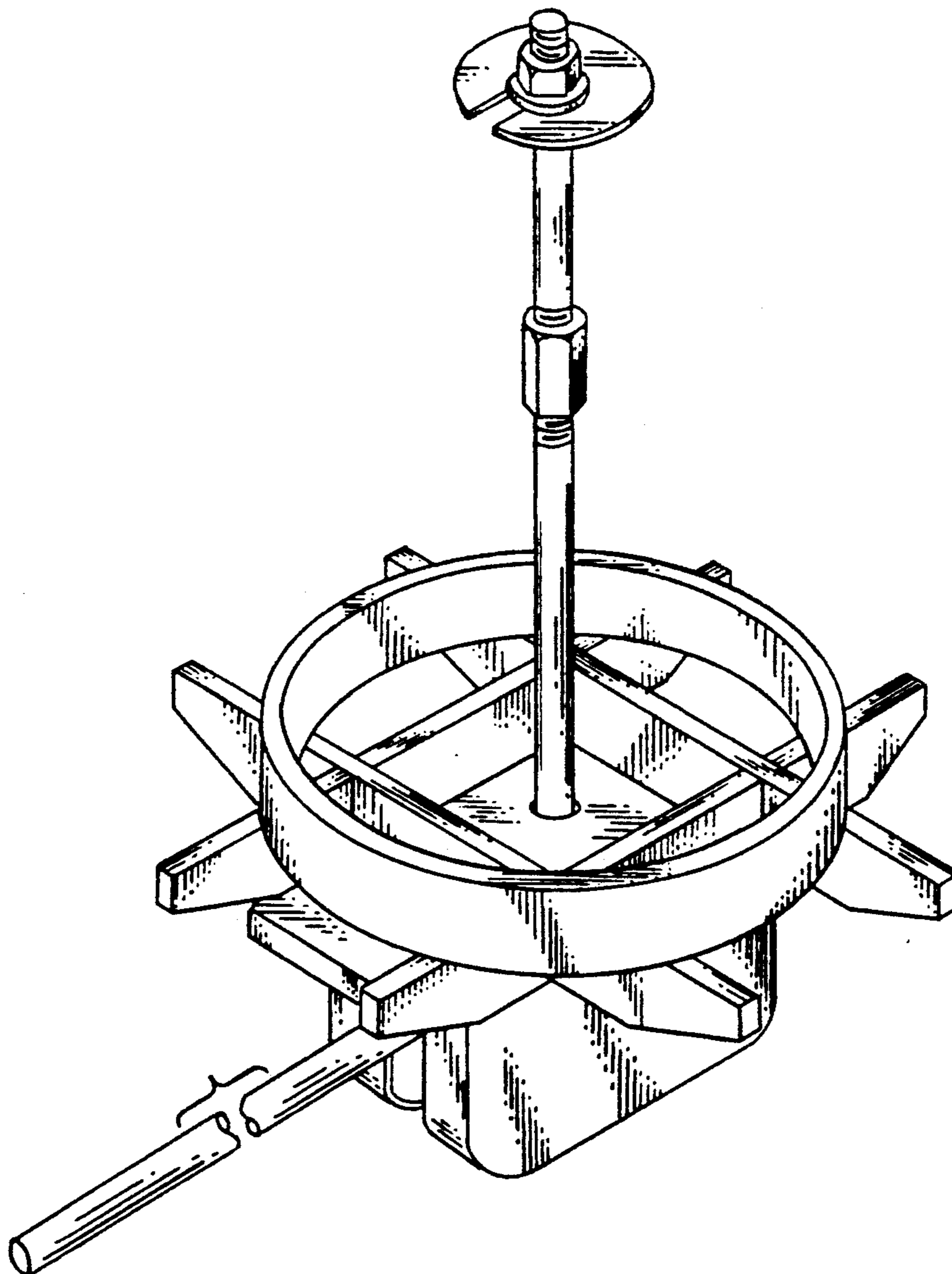
DESCRIPTION

[56] **References Cited**

U.S. PATENT DOCUMENTS

- D. 217,569 5/1970 McClure D15/199
- D. 241,769 10/1976 Majck D15/199

FIG. 1 is a front and right side perspective view of the tire bead breaker;
FIG. 2 is a top plan view thereof;
FIG. 3 is a left side elevational view thereof;
FIG. 4 is a front elevational view thereof;
FIG. 5 is a bottom plan view thereof; and,
FIG. 6 is a rear elevational view thereof.



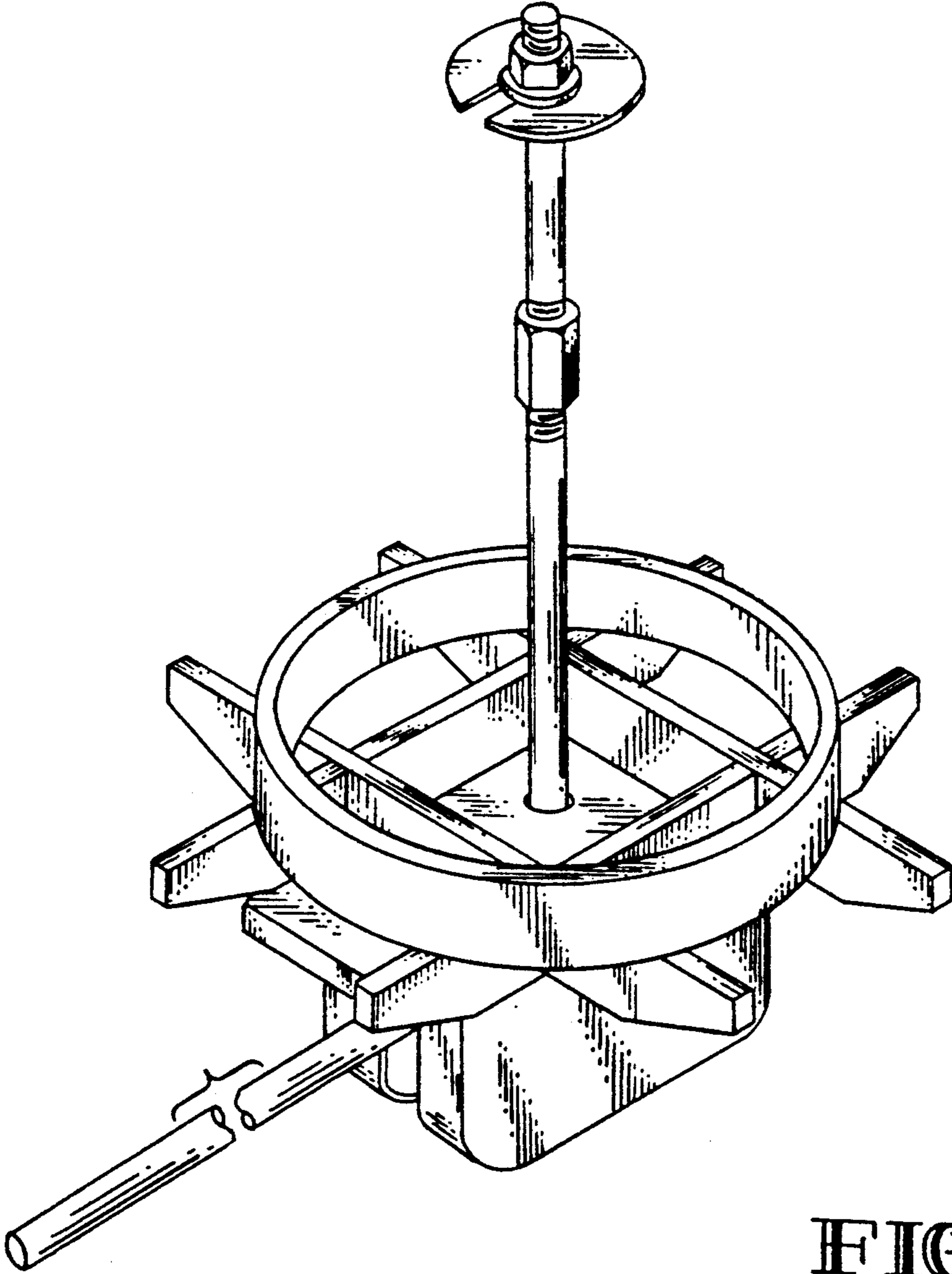


FIG. 1

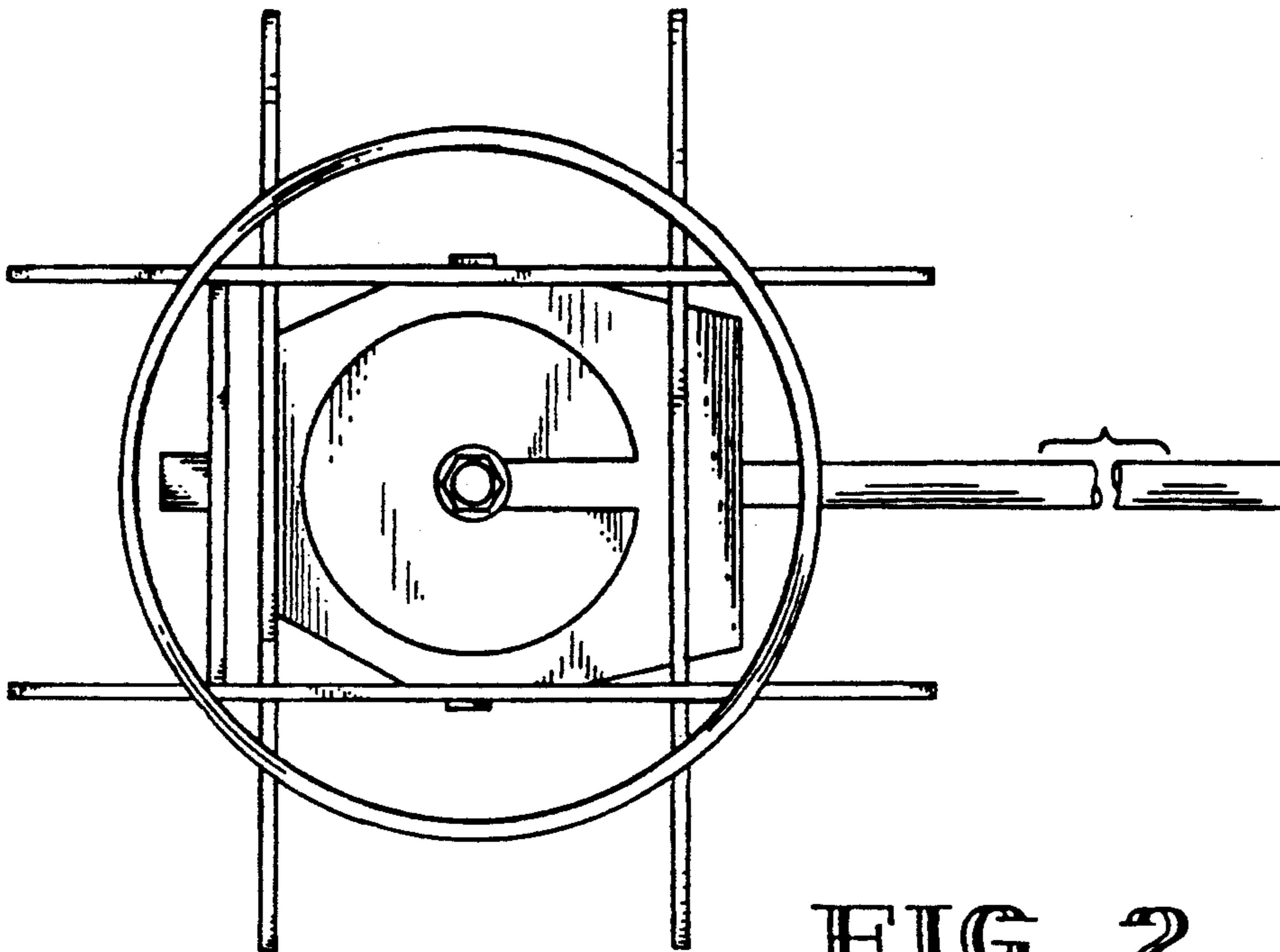


FIG. 2

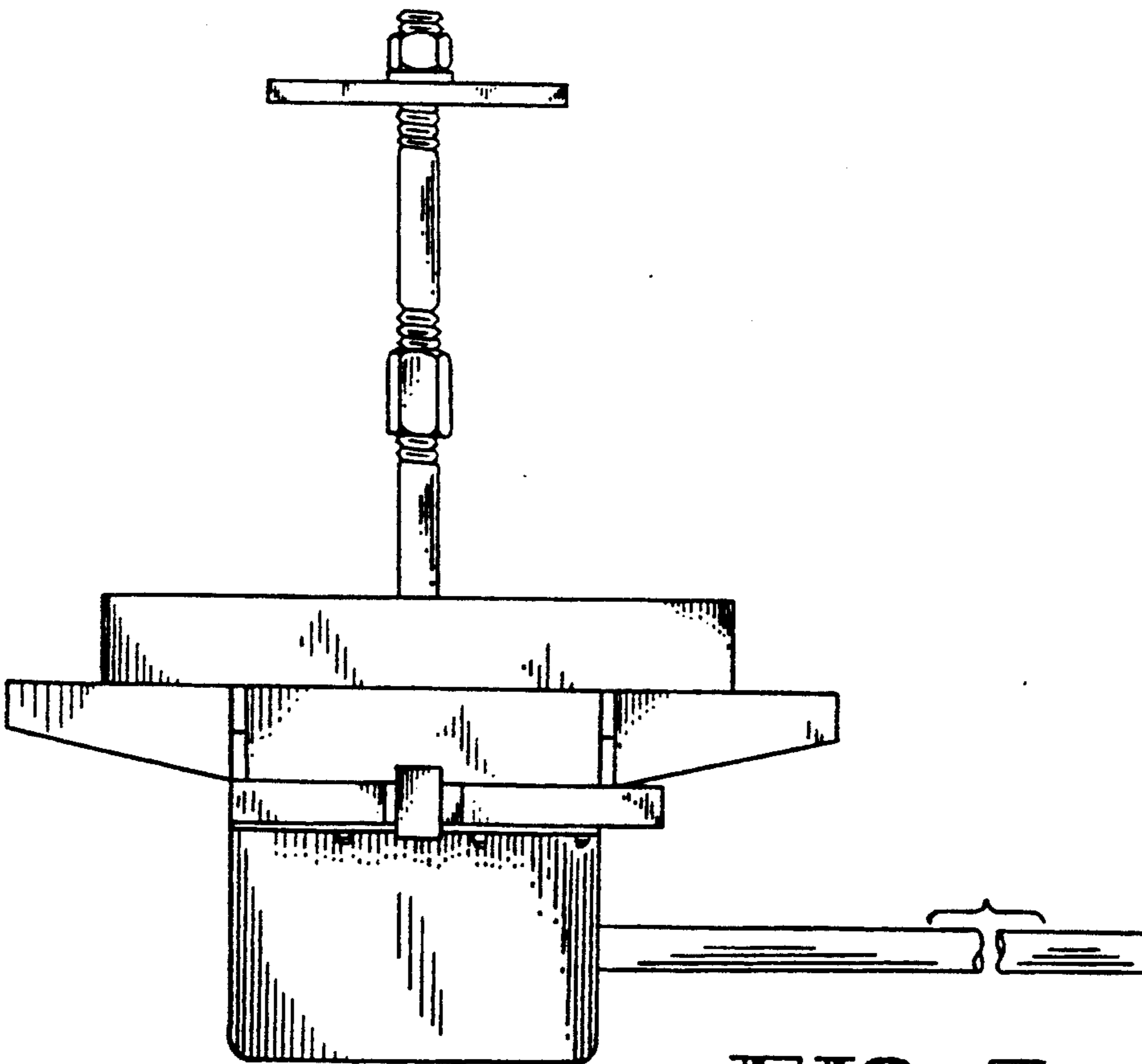


FIG. 3

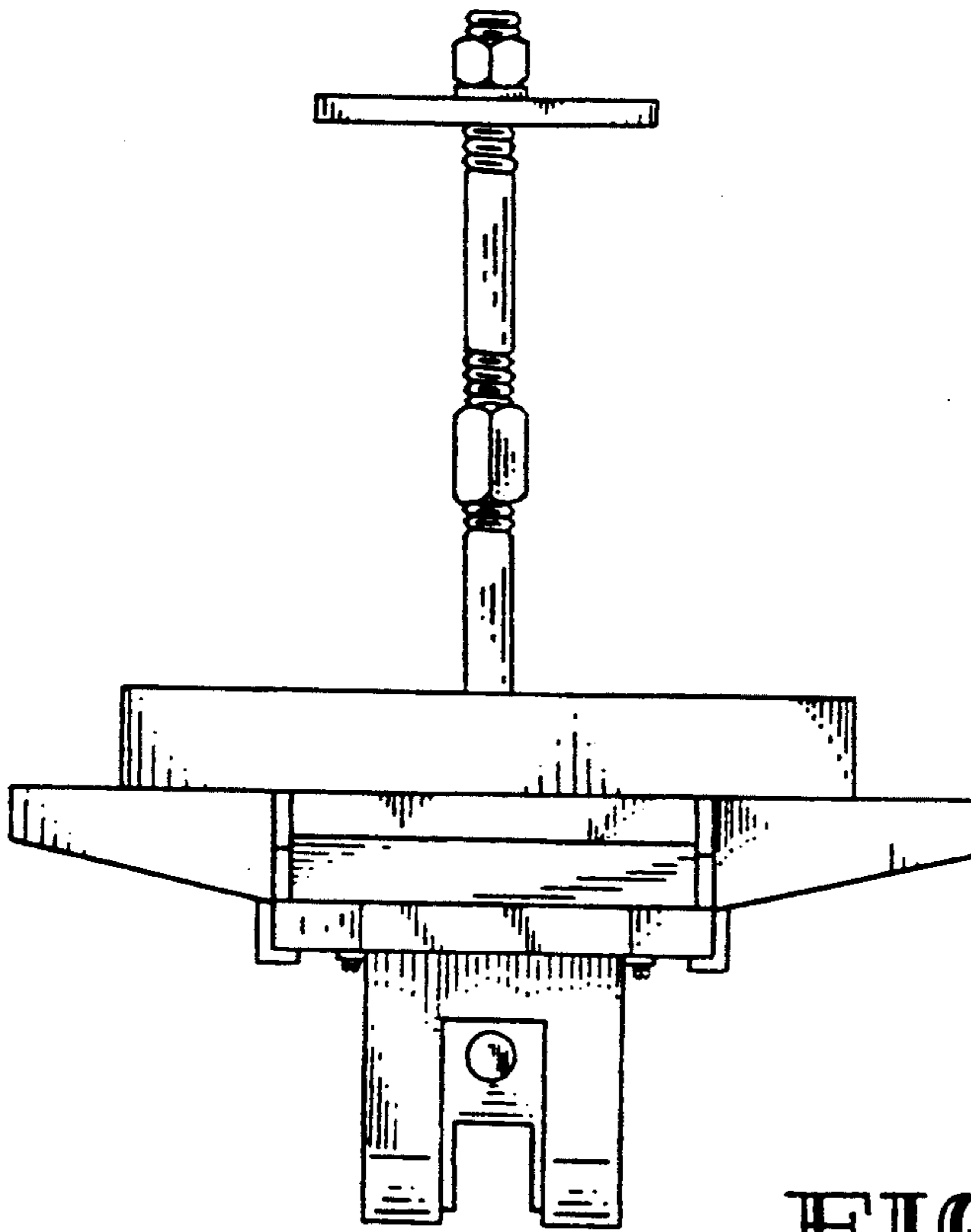


FIG. 4

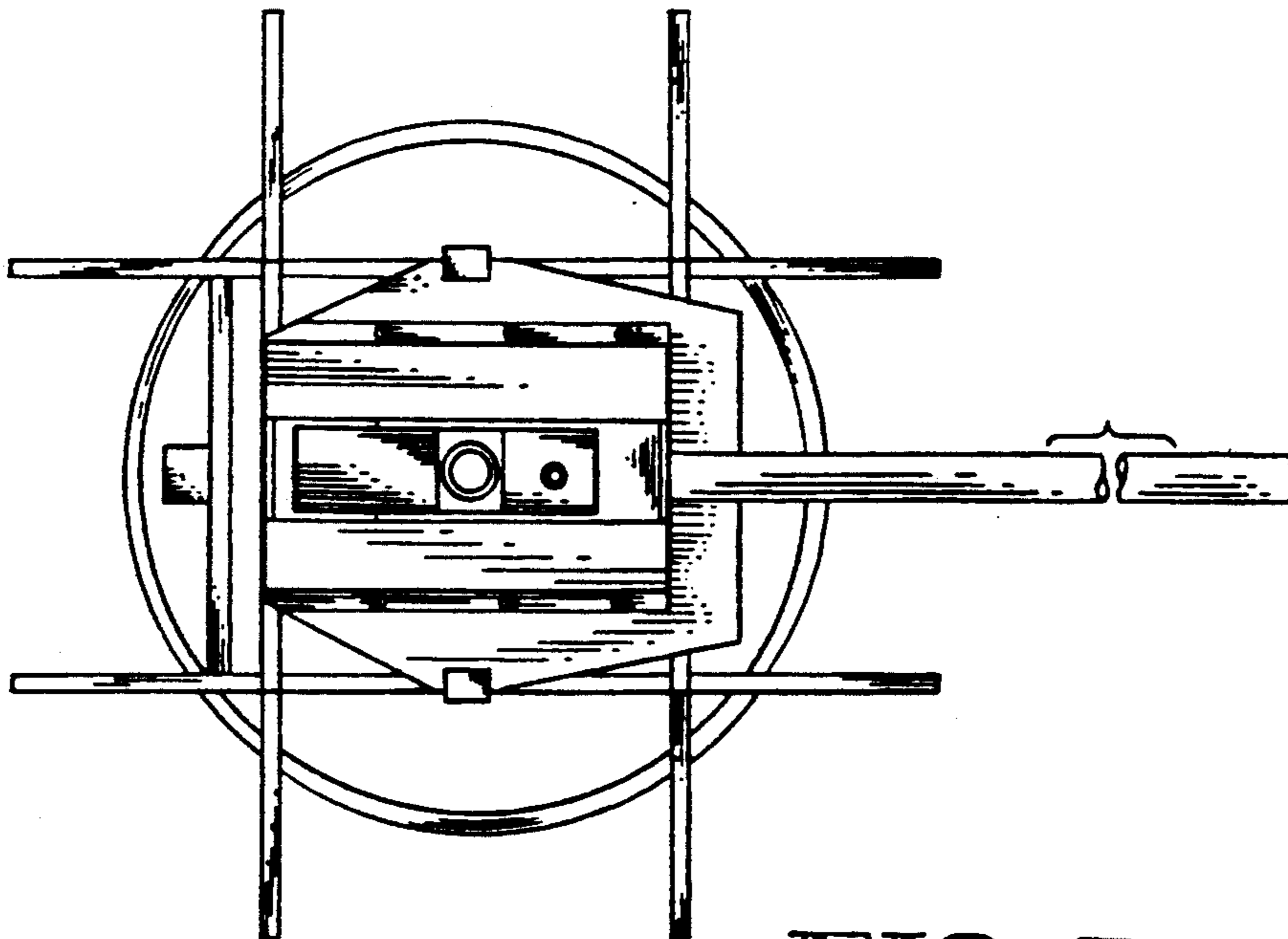


FIG. 5

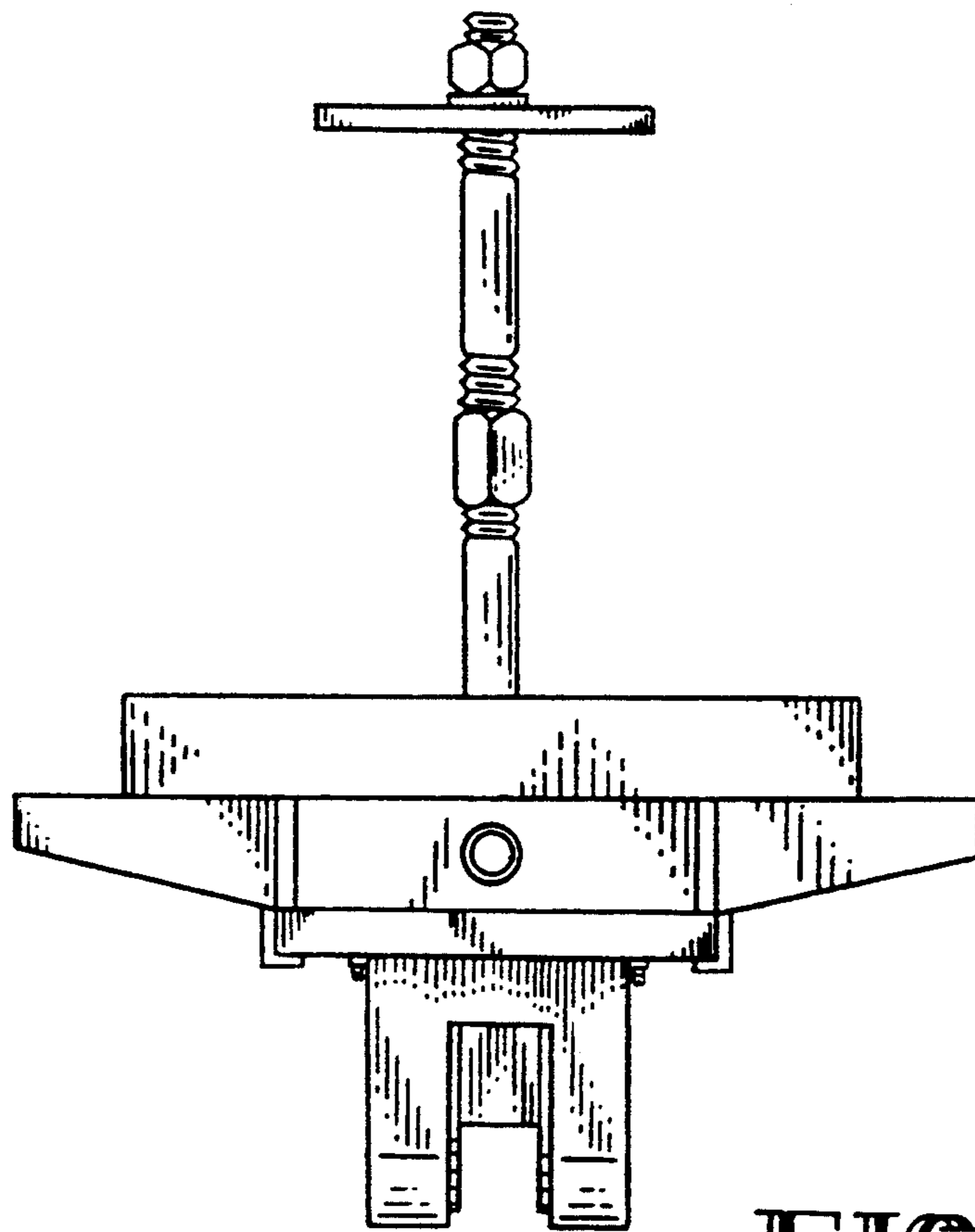


FIG. 6