



US00D343180S

# United States Patent [19] Monagan

[11] Patent Number: **Des. 343,180**  
[45] Date of Patent: **\*\* Jan. 11, 1994**

[54] **INFINITE GEAR RATIO TRANSMISSION**  
[76] Inventor: **Herbert S. Monagan, 7 Bigelow Ave., Dundee, N.Y. 14837**  
[\*\*] Term: **14 Years**  
[21] Appl. No.: **764,386**  
[22] Filed: **Sep. 23, 1991**  
[52] U.S. Cl. .... **D15/149; D15/5**  
[58] Field of Search ..... **192/87.17; 74/606, 606 R; D15/1-6, 149**

4,271,943 6/1981 Kuzma ..... 192/87.17  
4,763,765 8/1988 Black ..... 192/87.17

*Primary Examiner*—A. Hugo Word  
*Assistant Examiner*—R. Seifert  
*Attorney, Agent, or Firm*—Terry M. Gernstein

### [57] CLAIM

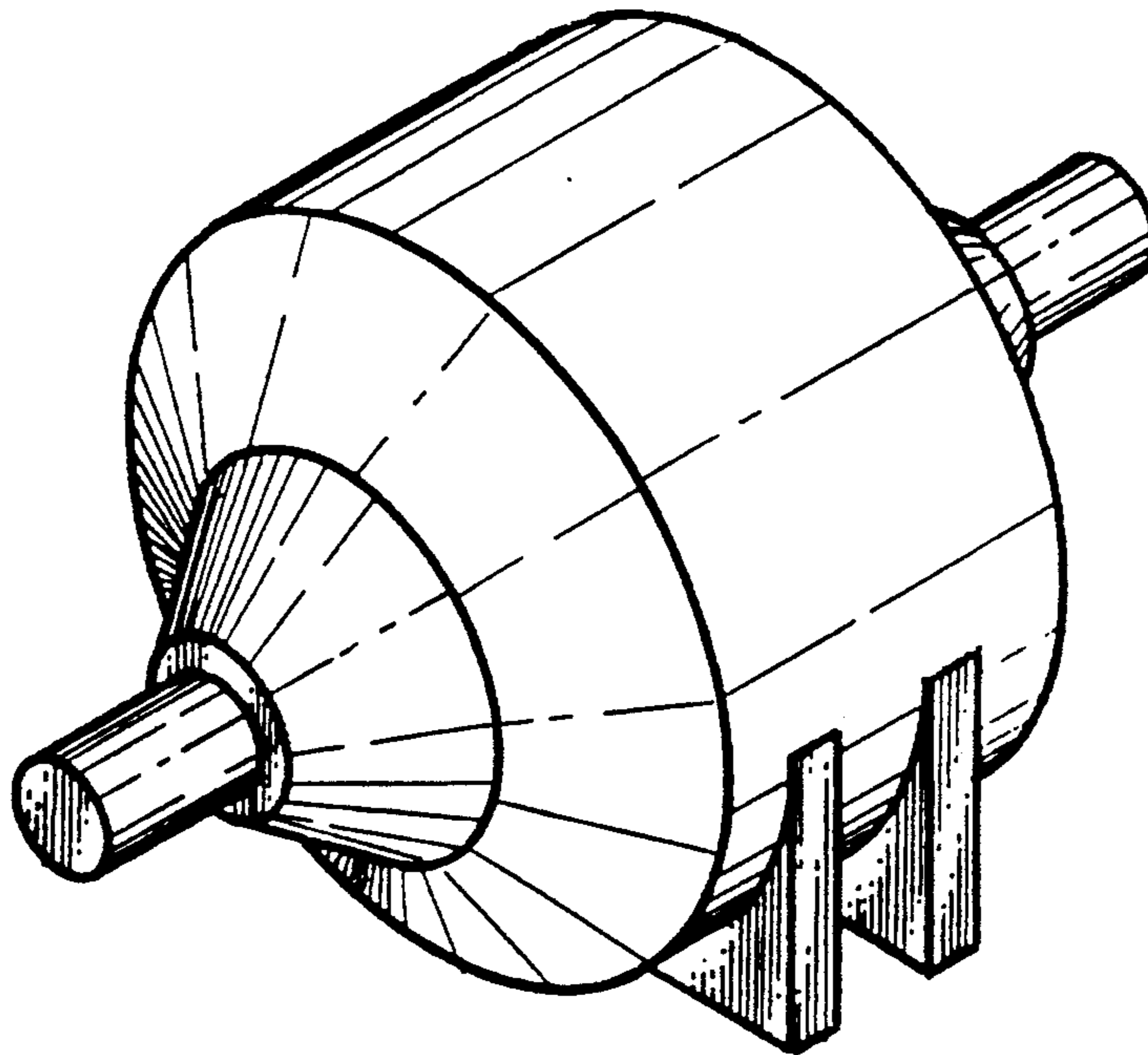
The ornamental design for a infinite gear ratio transmission, as shown and described.

### DESCRIPTION

FIG. 1 is a perspective view of the infinite gear ratio transmission embodying the design of the present invention;  
FIG. 2 is a front elevational view thereof, the rear end elevational view being a mirror image of the front shown in FIG. 2;  
FIG. 3 is a side elevational view thereof, the side opposite being a mirror image of the side shown in FIG. 3;  
FIG. 4 is a top plan view thereof; and,  
FIG. 5 is a bottom plan view thereof.

### [56] References Cited U.S. PATENT DOCUMENTS

D. 166,669	5/1952	Heisler .....	D15/149
D. 264,342	5/1982	Johannes .....	D15/149
D. 269,014	5/1983	Tumidajewicz et al. ....	D15/149
D. 324,866	3/1992	Pleet et al. ....	D15/5
D. 327,894	7/1992	Samson .....	D15/149
3,098,550	7/1963	Schwab .....	192/87.17



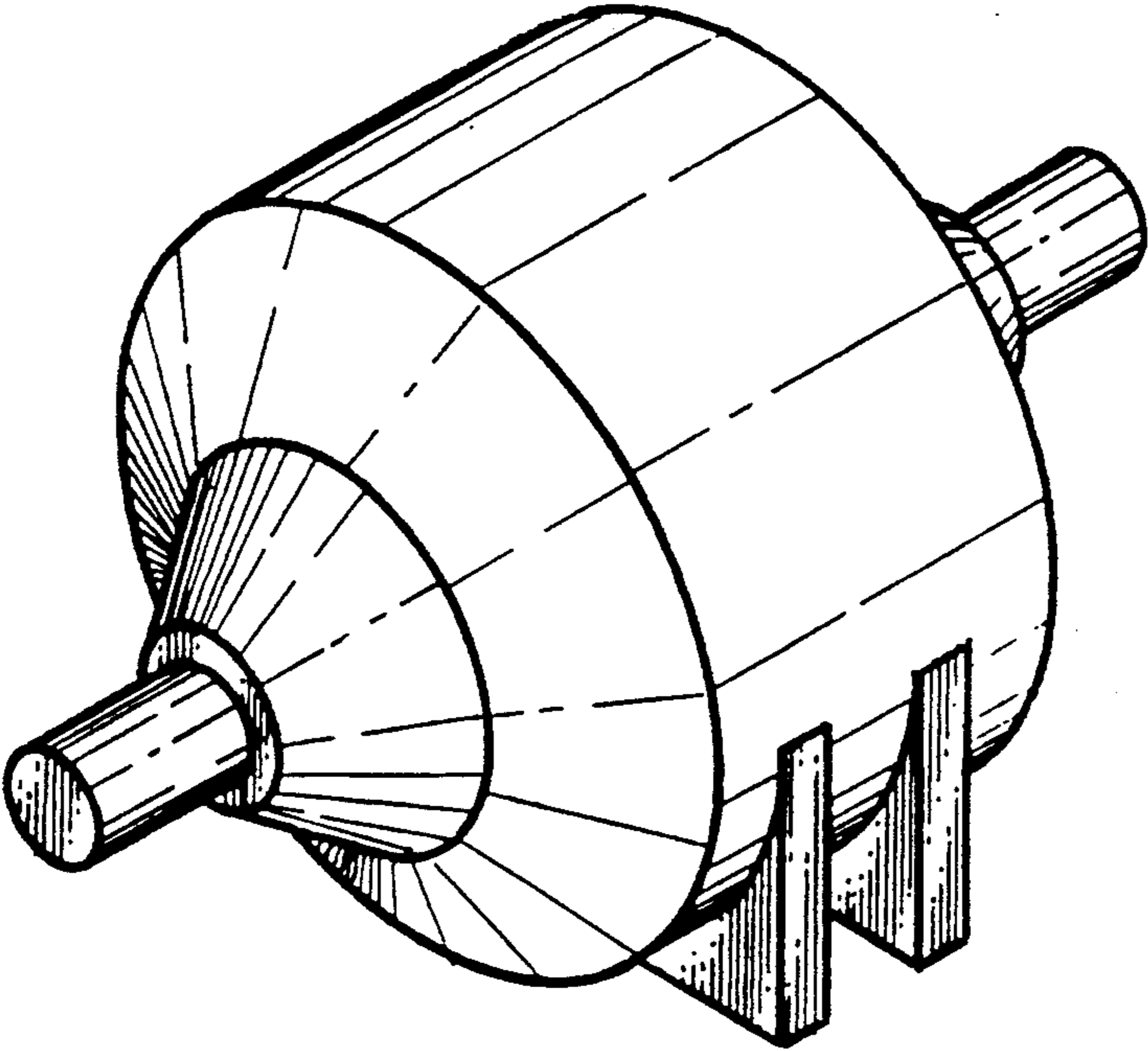


FIG. 1

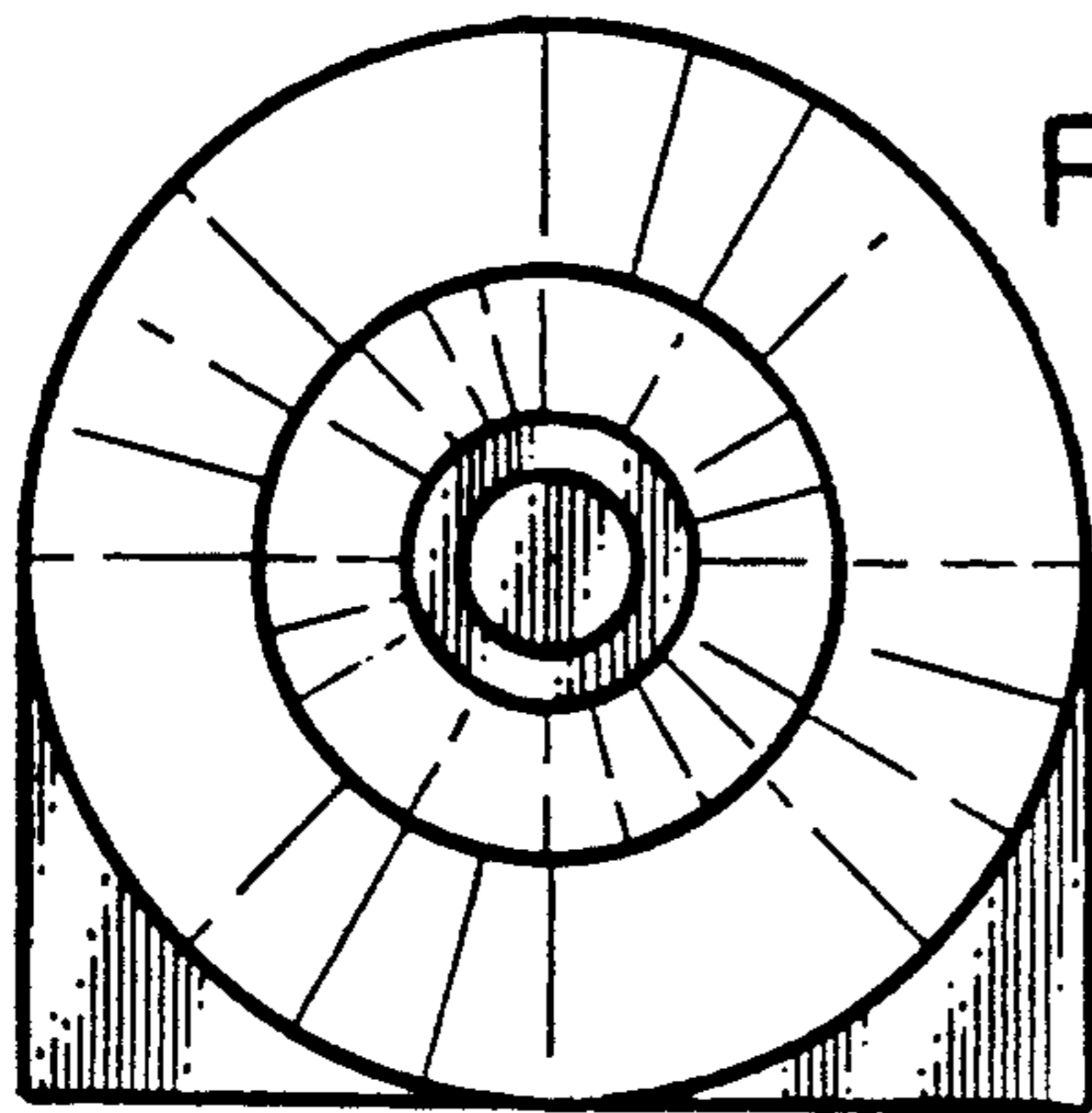


FIG. 2

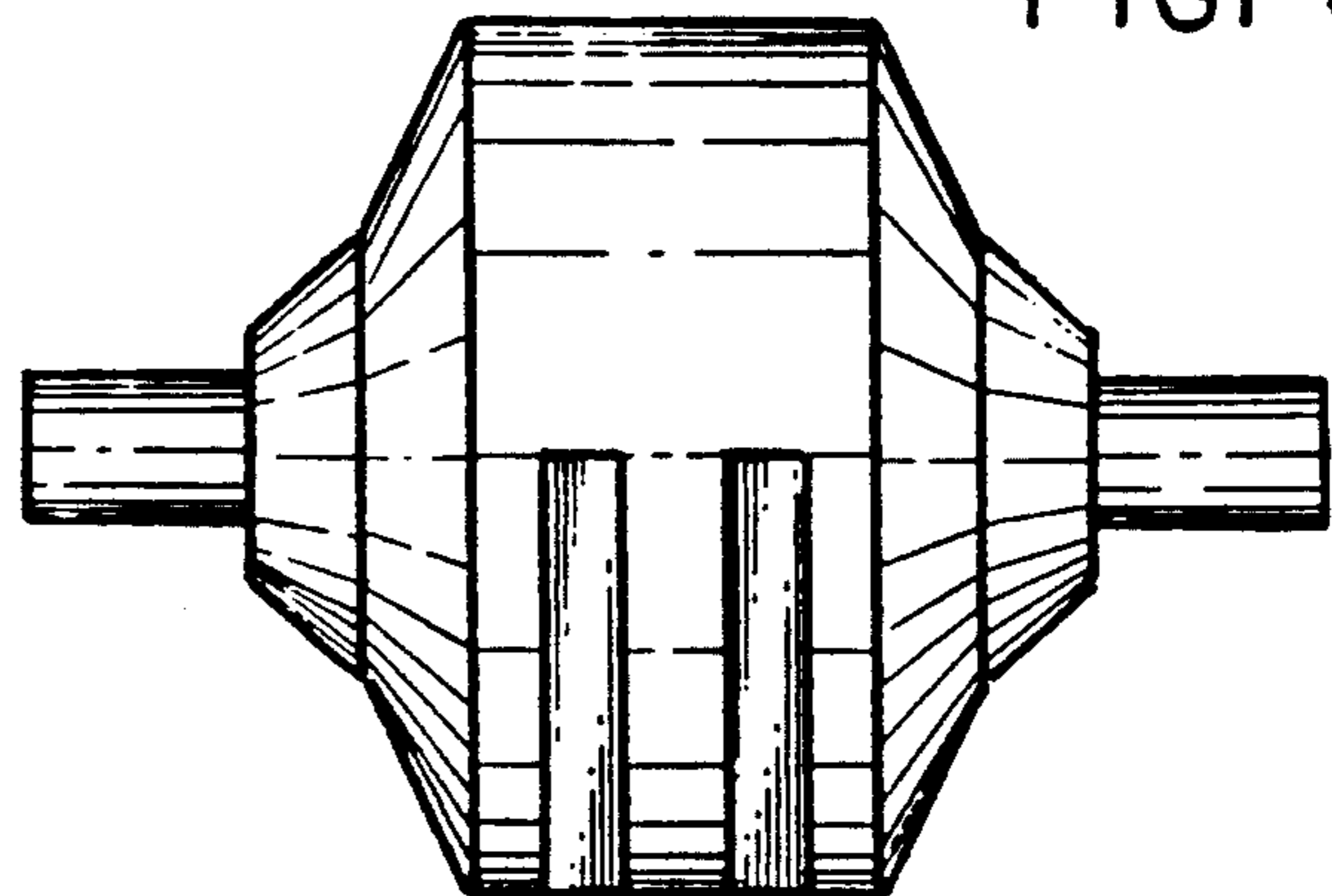


FIG. 3

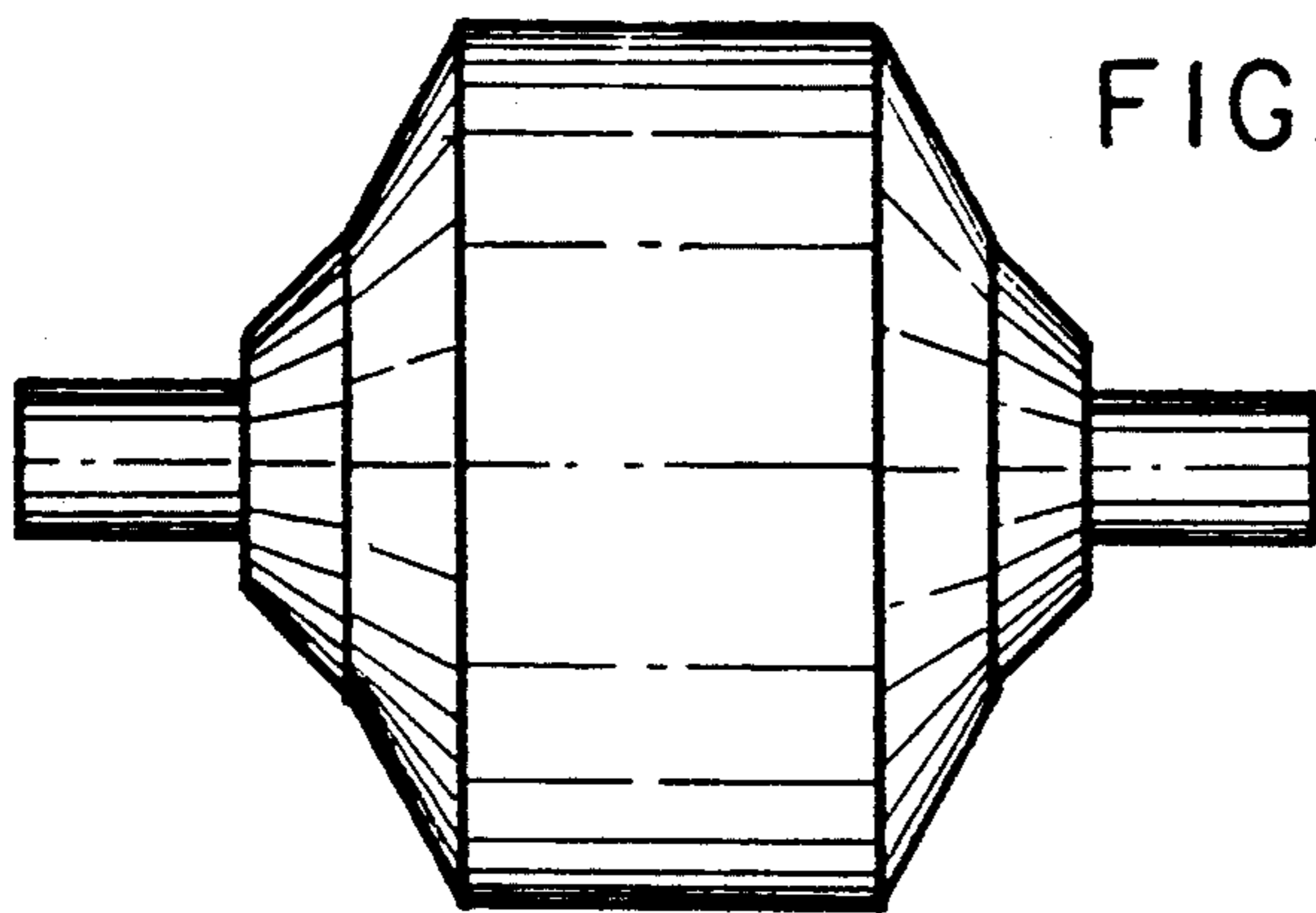


FIG. 4

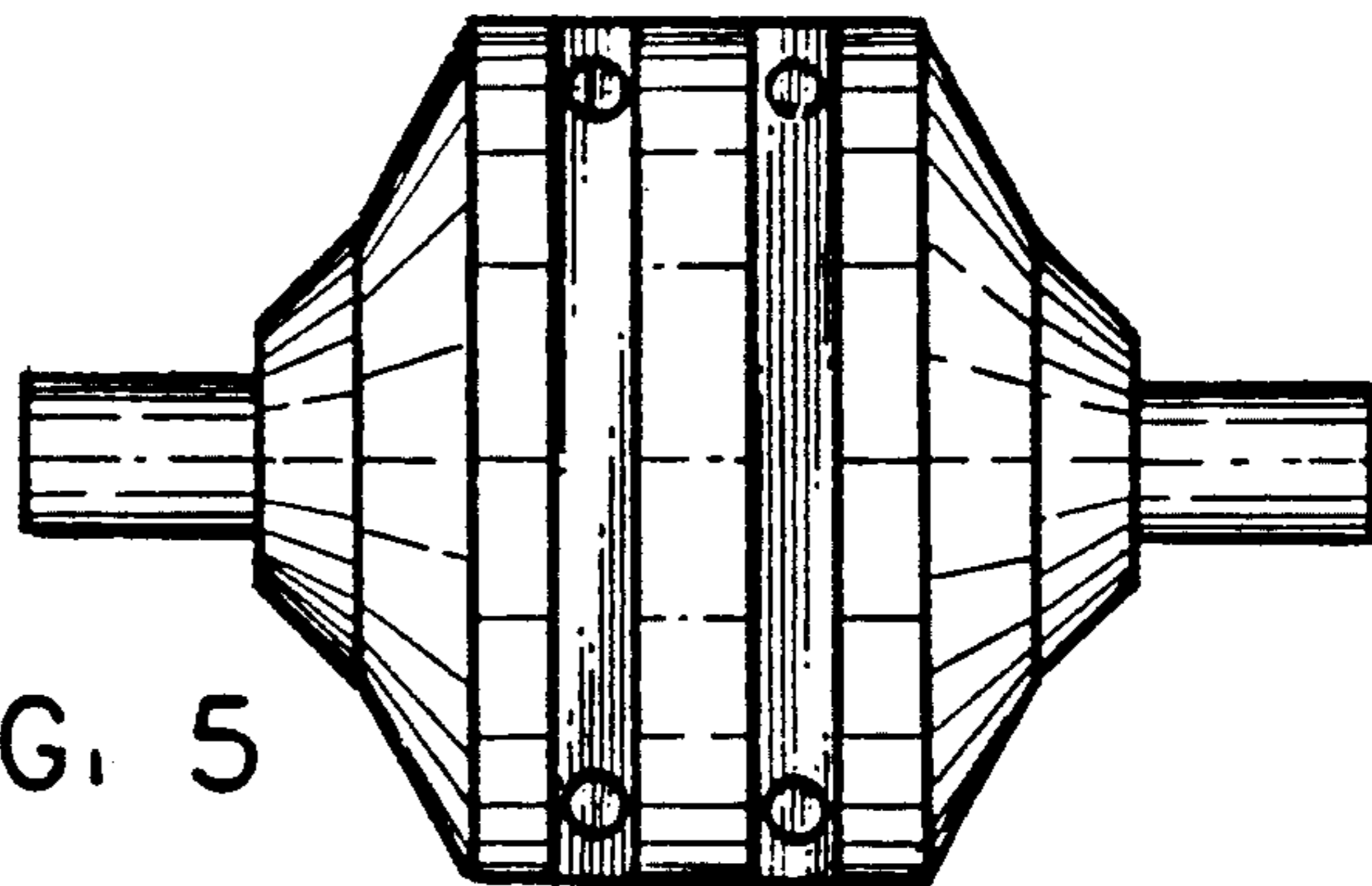


FIG. 5