



US00D343179S

United States Patent [19]

[11] Patent Number: Des. 343,179

Waskiewicz

[45] Date of Patent: ** Jan. 11, 1994

- [54] **PILLOW BLOCK BEARING HOUSING**
- [75] Inventor: Walter P. Waskiewicz, Bristol, Conn.
- [73] Assignee: The Torrington Company, Torrington, Conn.
- [**] Term: 14 Years
- [21] Appl. No.: 1,841
- [22] Filed: Nov. 23, 1992

Faftnir, Single Pillow Blocks-Standard Series (RAKH) Type, ©1966, p. 94.
 A portion of an undated publication of Amoco Performance Products entitled "Polysulfone Design Engineering Data".
 Page from sales brochure of SKF GmbH, Schweinfurt, Fed. Rep. of Germany.
 Page from sales brochure of Dodge Division, Reliance Electric Company, Cleveland, Ohio.
 Pages (2) from sales brochure of The Torrington Company, Torrington, Conn.

Related U.S. Application Data

- [62] Division of Ser. No. 920,719, Jul. 28, 1992.
- [52] U.S. Cl. **D15/143**
- [58] Field of Search D7/528, 532; 384/29, 384/38, 43, 57, 428-444, 448, 541; D25/60; D15/143

Primary Examiner—Nelson C. Holtje
Assistant Examiner—Antoine D. Davis
Attorney, Agent, or Firm—John C. Bigler

[57] CLAIM

The ornamental design for a pillow block bearing housing, as shown and described.

[56] References Cited

U.S. PATENT DOCUMENTS

- 3,873,167 3/1975 Anderson .
- 3,936,099 2/1976 Braun et al. .
- 4,005,917 2/1977 Richardson et al. 384/432 X
- 4,758,101 7/1988 Roof, Sr. et al. .

FOREIGN PATENT DOCUMENTS

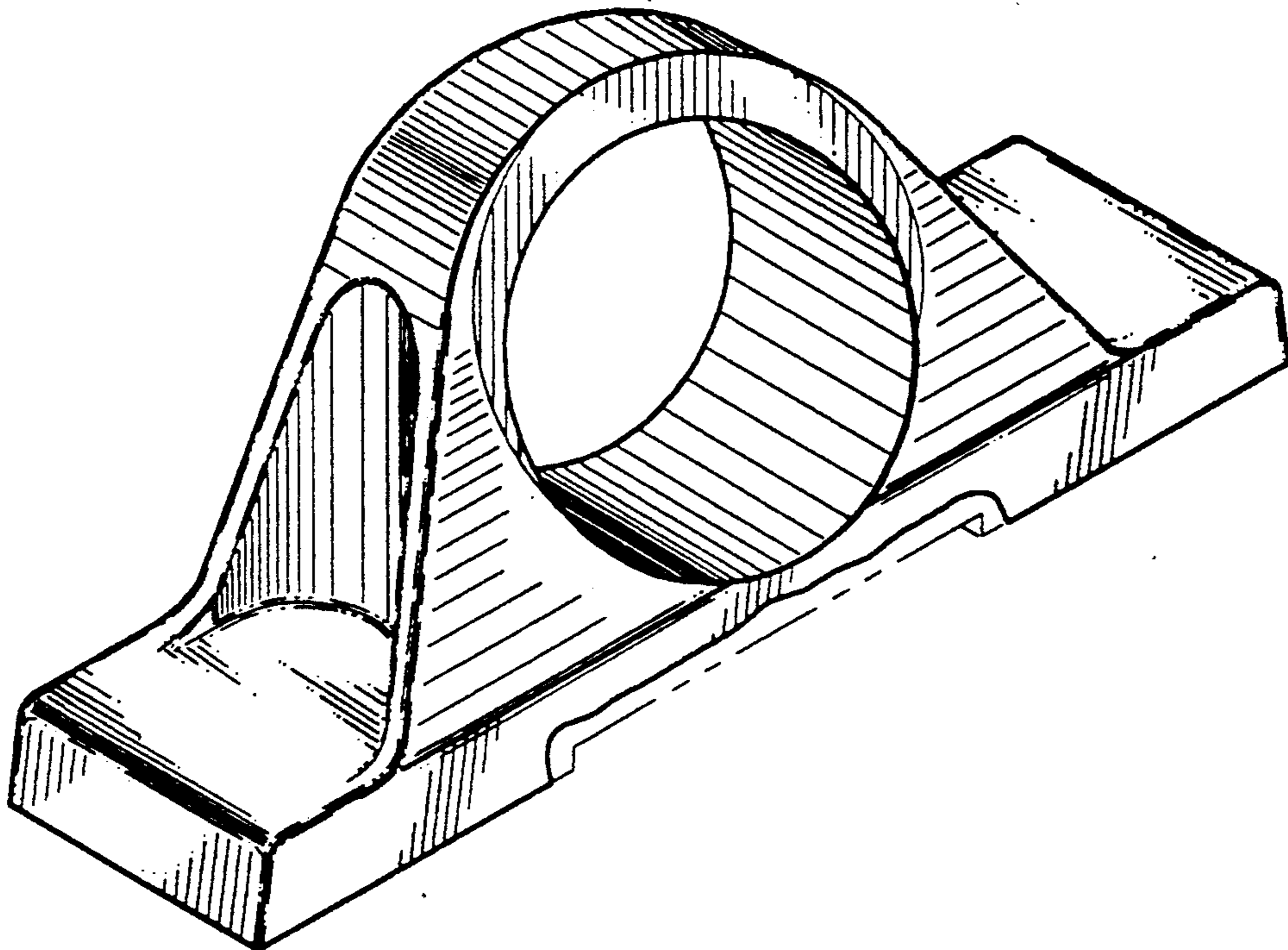
- 689910 4/1953 United Kingdom 384/440

OTHER PUBLICATIONS

Product Engineering, Link-Belt Flex Block Sleeve Bearing, Feb. 1962, p. 8.

DESCRIPTION

FIG. 1 is an isometric view of the left side, top and front of a pillow block bearing housing showing my design; FIG. 2 is a front view of my pillow block bearing housing design; FIG. 3 is a top view of my pillow block bearing housing design; FIG. 4 is a left side view of my pillow block bearing housing design, the right side view being a mirror image thereof; and, FIG. 5 is a bottom view of my pillow block bearing design.



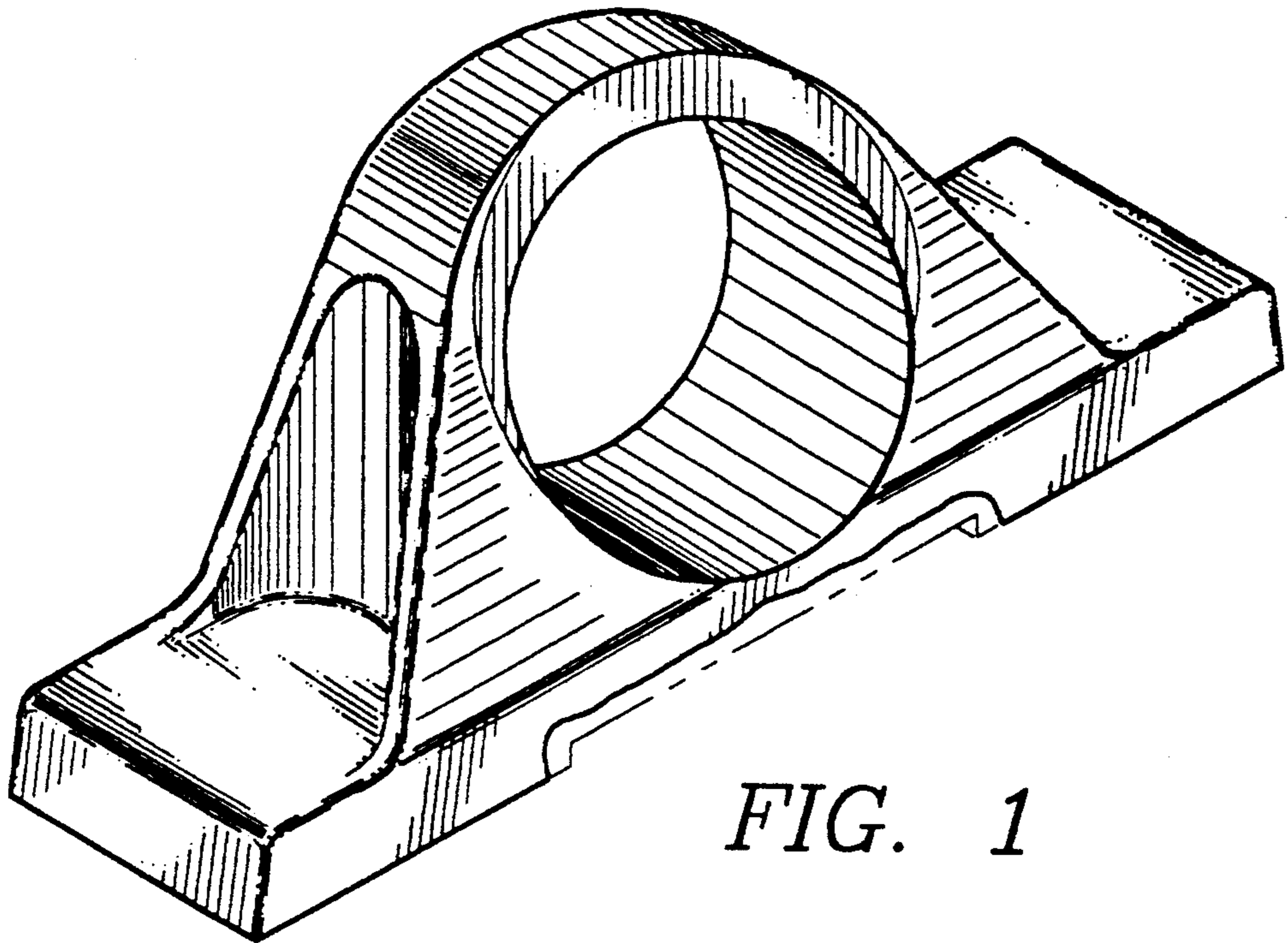


FIG. 1

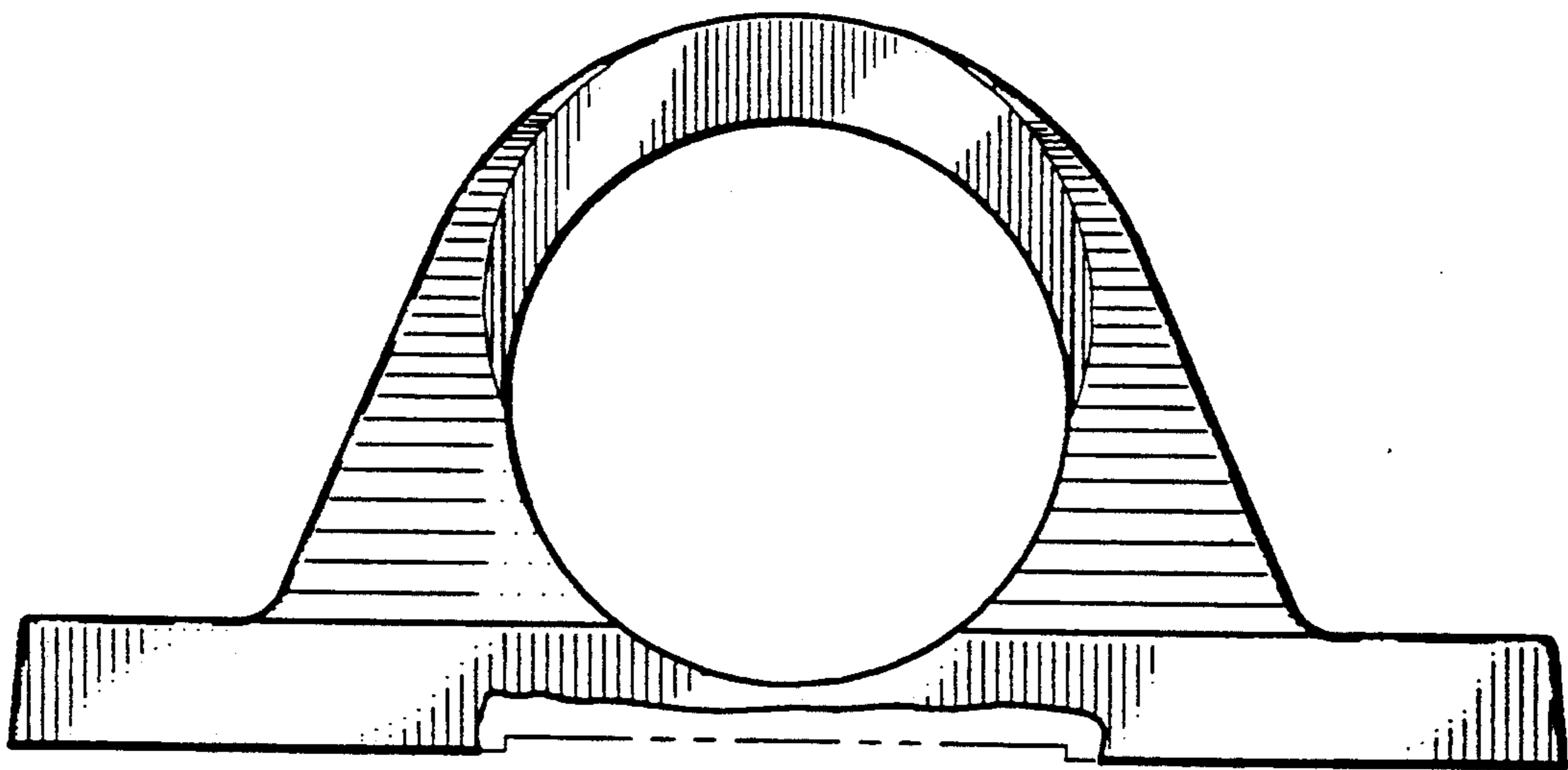


FIG. 2

FIG. 3

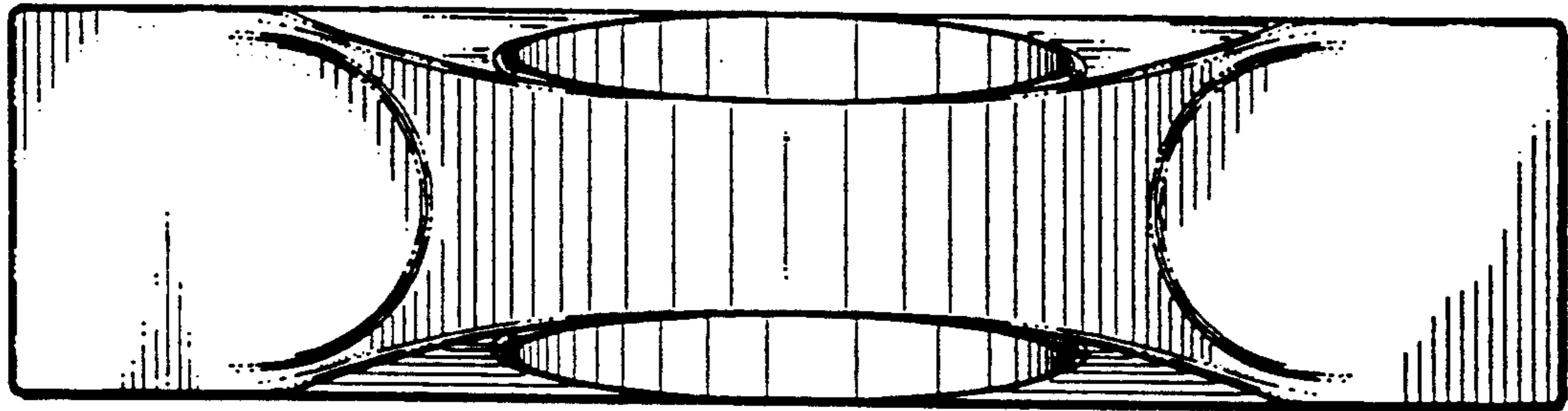


FIG. 4

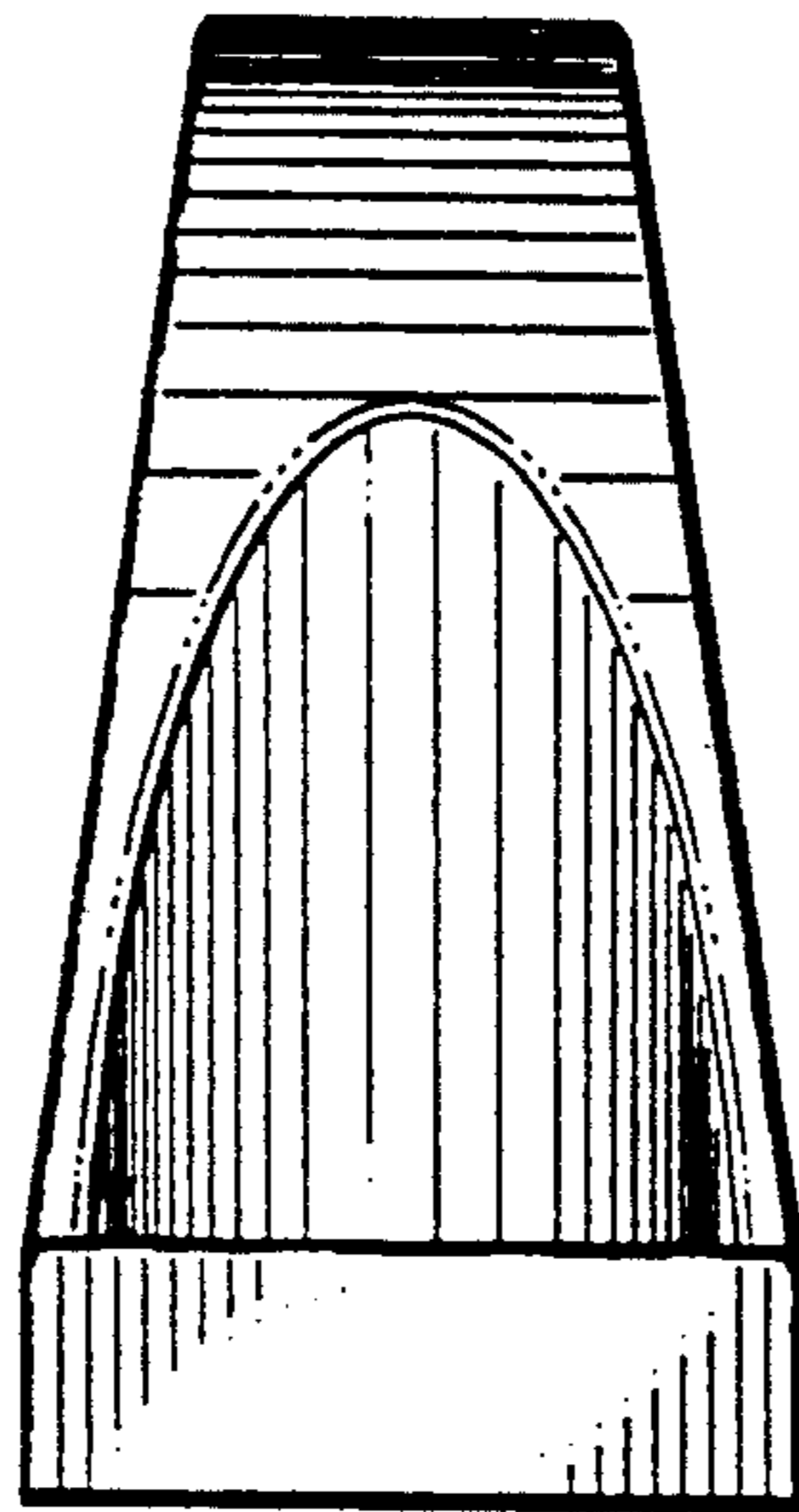


FIG. 5

