



US00D343177S

# United States Patent [19]

[11] Patent Number: **Des. 343,177**

Levy et al.

[45] Date of Patent: **\*\* Jan. 11, 1994**

[54] **TOY MOLDING APPARATUS**

3,179,980 4/1965 Ryan et al. .... 425/DIG. 57 X  
3,195,479 7/1965 Beck et al. .... 425/DIG. 57 X  
4,299,548 11/1981 Saffer et al. .... 425/173

[76] Inventors: **Richard C. Levy**, P.O. Box 34828,  
Bethesda, Md. 20827; **Gary Piaget**,  
1435 W. Silvermeadows Dr., Park  
City, Utah 84060

*Primary Examiner*—Nelson C. Holtje  
*Assistant Examiner*—Antoine D. Davis

[\*\*] Term: **14 Years**

[57] **CLAIM**

[21] Appl. No.: **902,281**

The ornamental design for a toy molding apparatus, as shown.

[22] Filed: **Jun. 19, 1992**

**DESCRIPTION**

[52] U.S. Cl. .... **D15/135**

FIG. 1: Is a top frontal perspective view of our new toy molding apparatus;

[58] Field of Search ..... 425/173, DIG. 57; 446/483;  
D15/135-137

FIG. 2: Is a top plan view thereof;

FIG. 3: Is a front elevation view thereof;

FIG. 4: A left side elevation thereof;

FIG. 5: A right side elevation thereof;

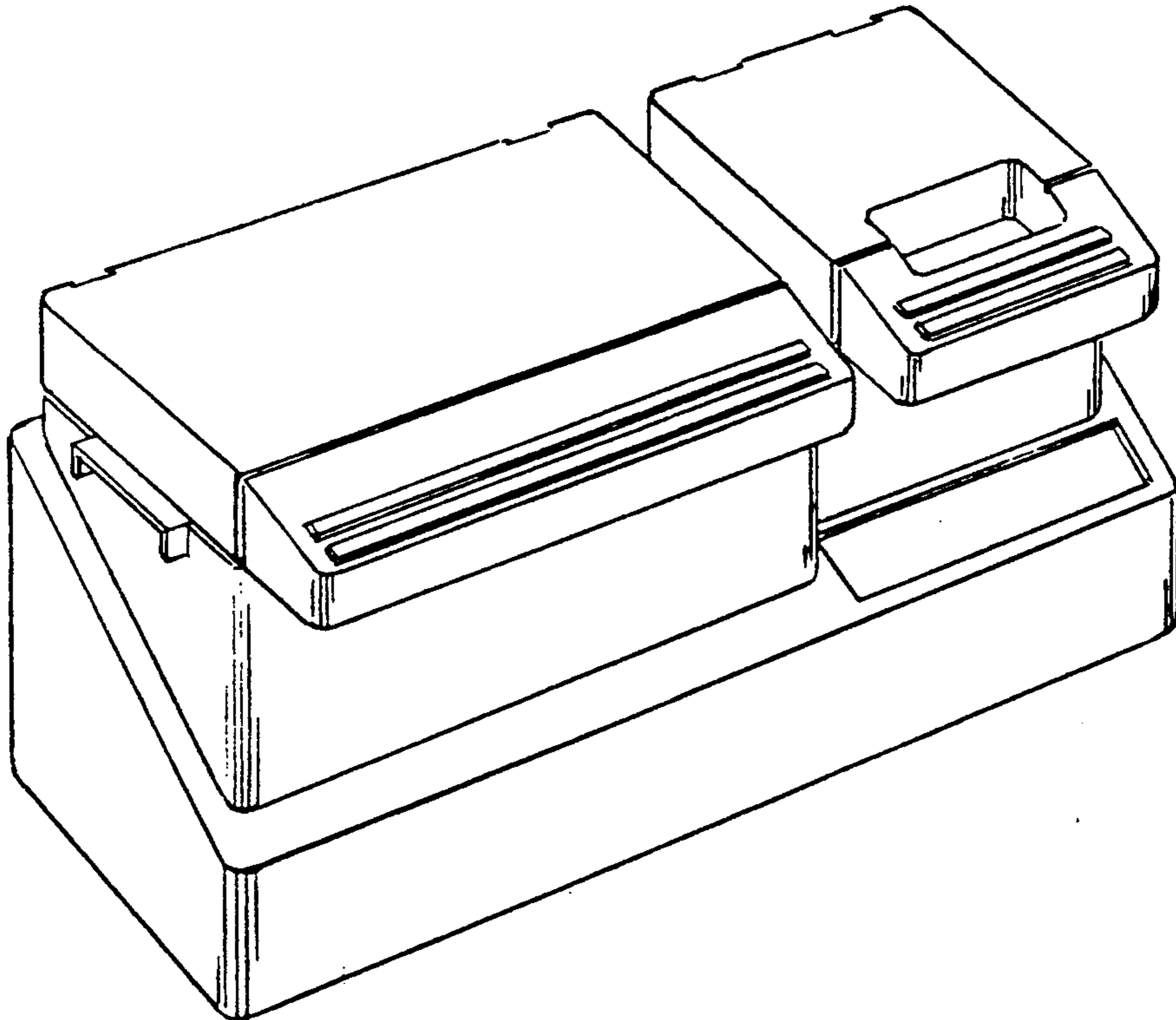
FIG. 6: A rear elevation thereof; and,

FIG. 7: A bottom plan view thereof.

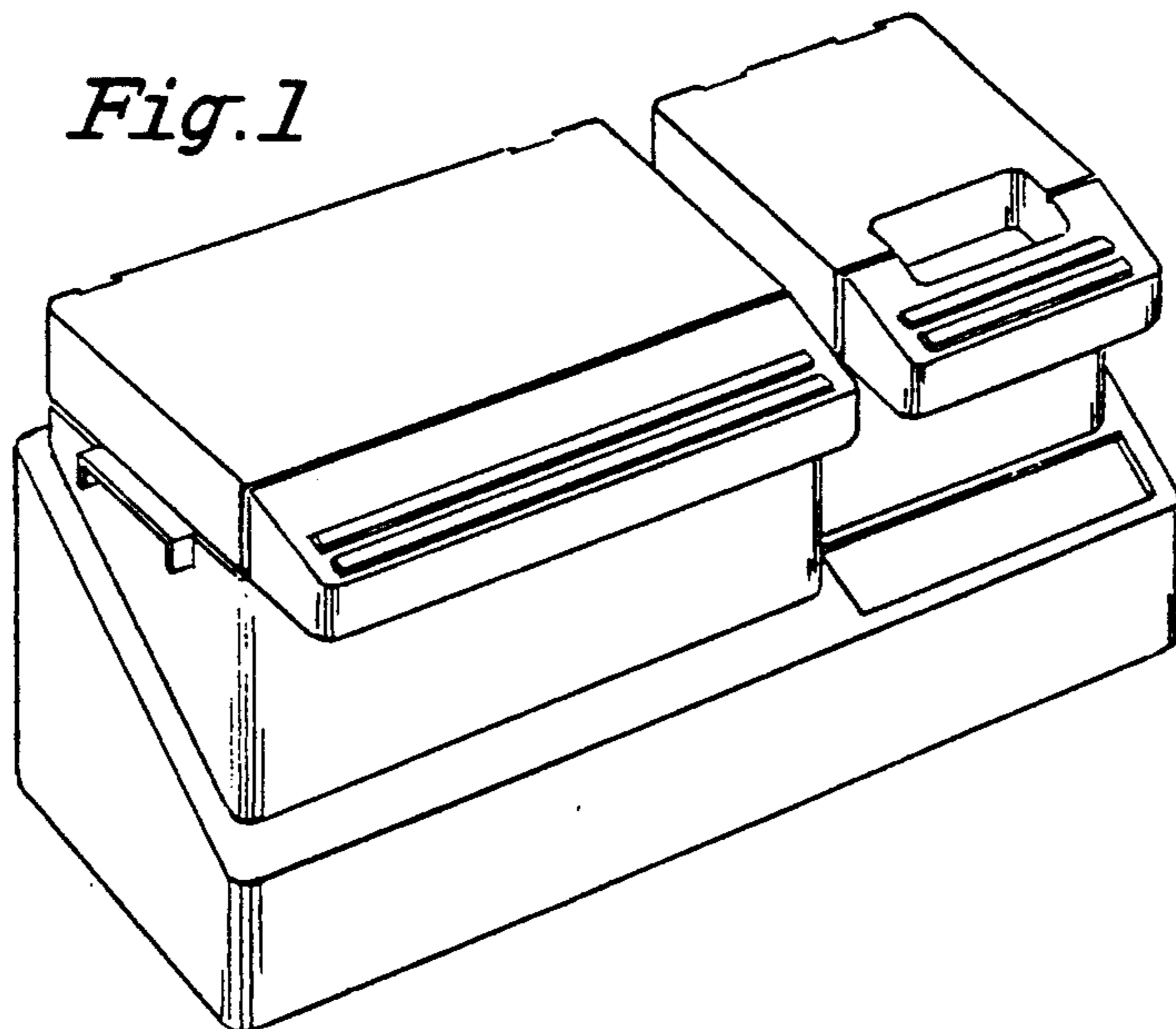
[56] **References Cited**

**U.S. PATENT DOCUMENTS**

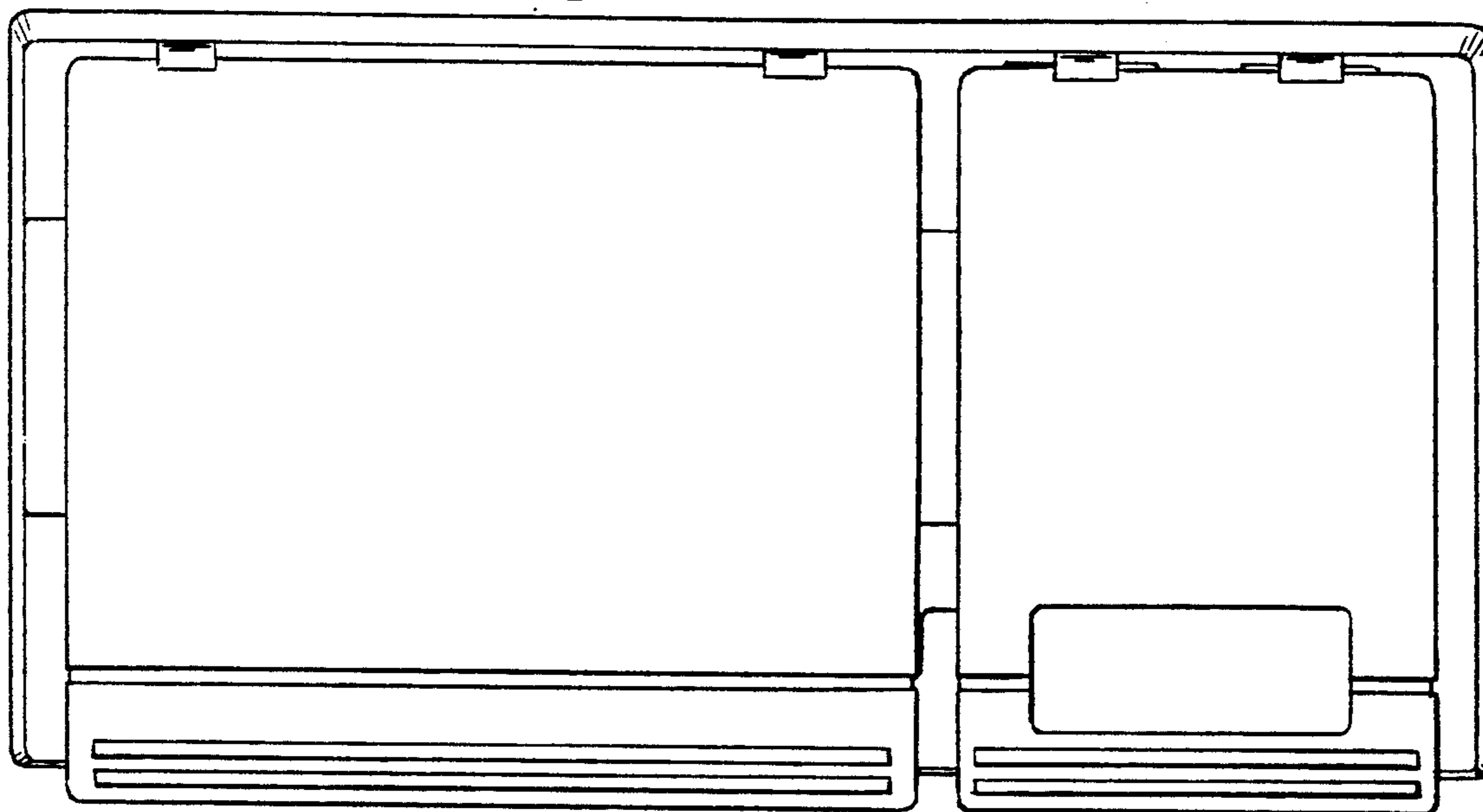
D. 331,248 11/1992 Yeh ..... D15/135



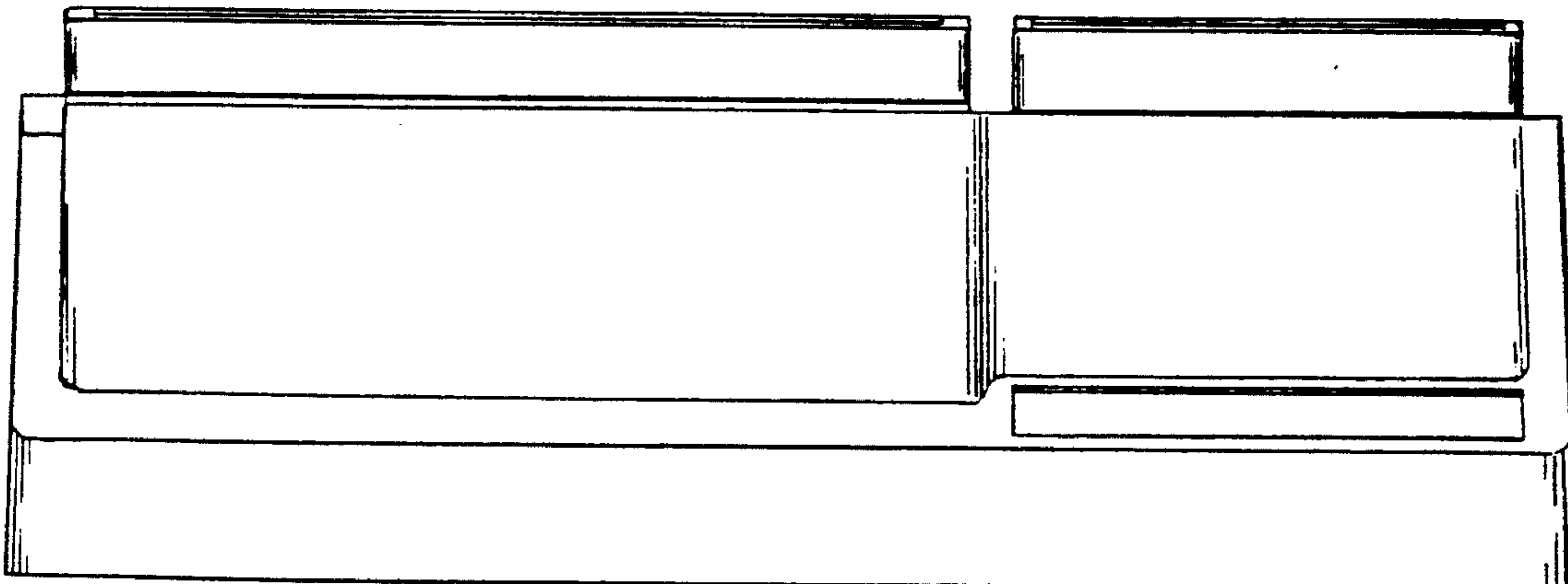
*Fig.1*



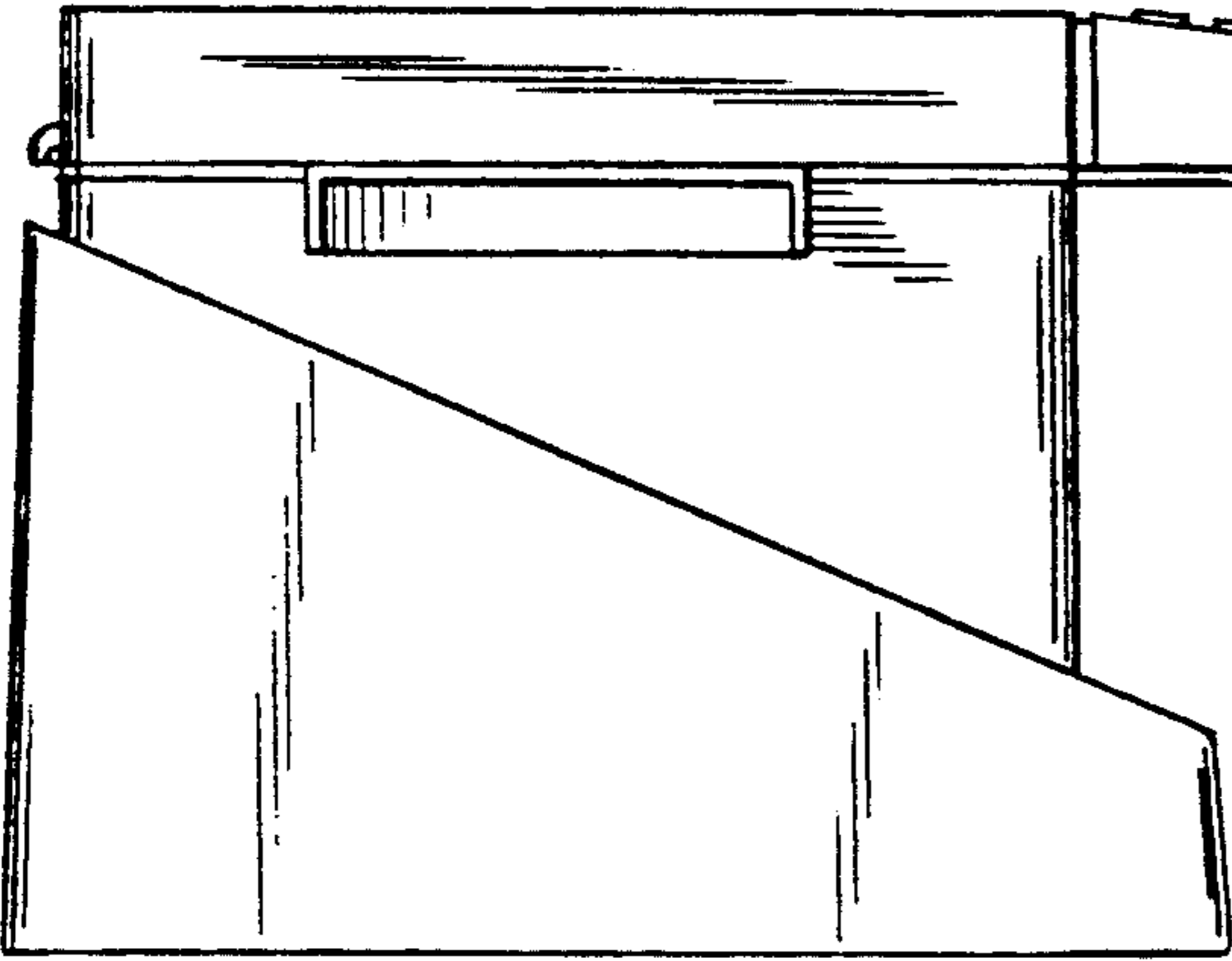
*Fig.2*



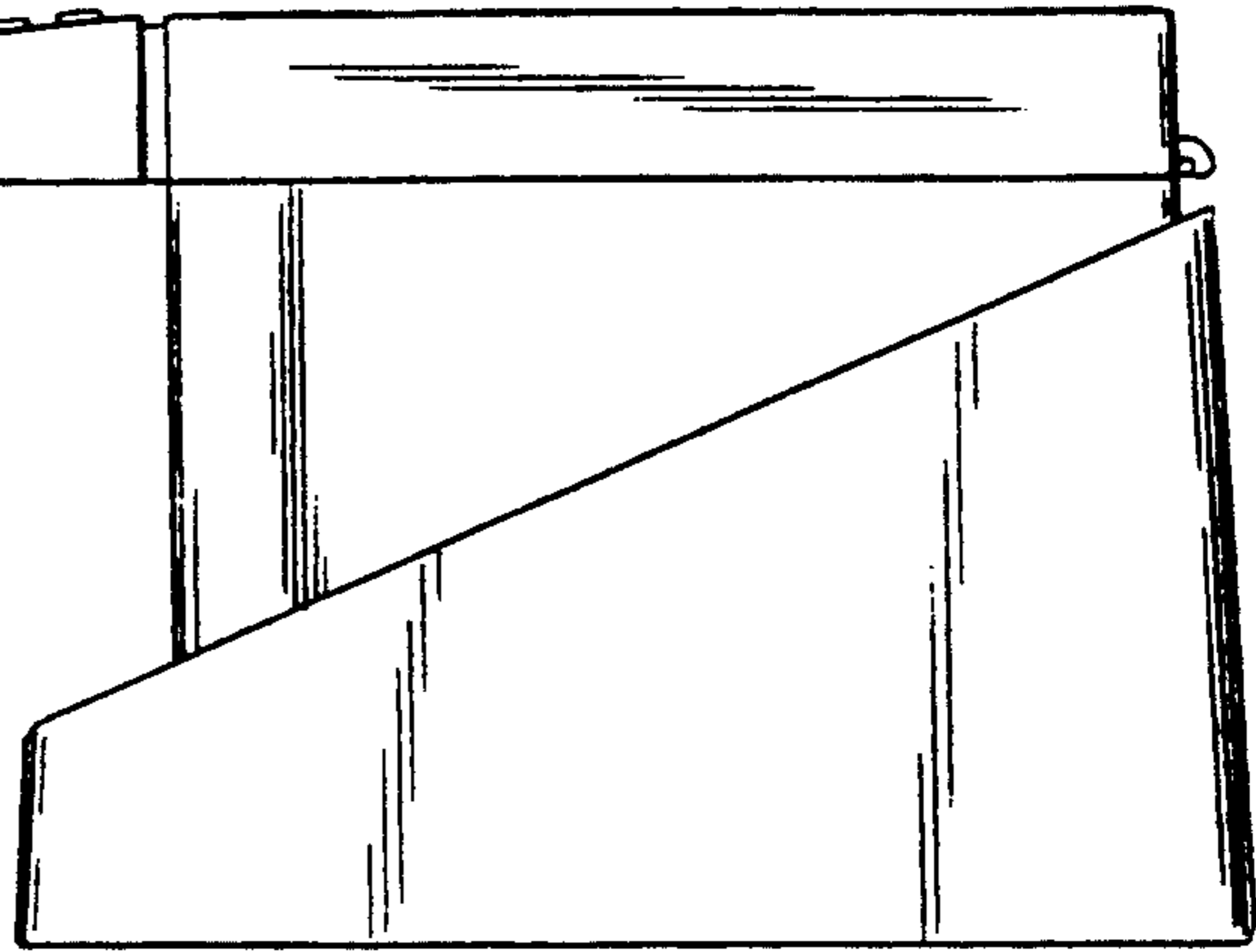
*Fig.3*



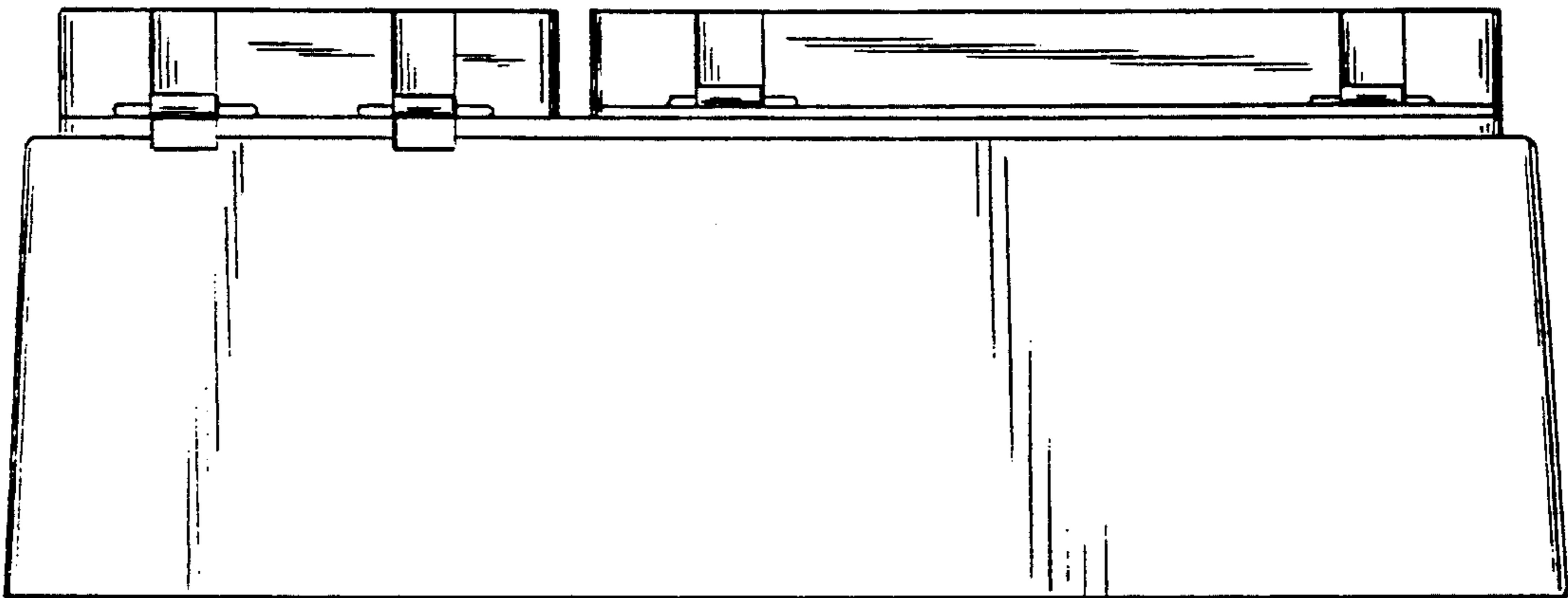
*Fig.4*



*Fig.5*



*Fig.6*



*Fig.7*

