



US00D343176S

United States Patent [19]

Gonzales

[11] Patent Number: Des. 343,176

[45] Date of Patent: ** Jan. 11, 1994

[54] LEATHER BELT EMBOSSING APPARATUS

[75] Inventor: Thomas M. Gonzales, Hewitt, Tex.

[73] Assignee: Midas Leathercraft Tool Company, Inc., Ft. Worth, Tex.

[**] Term: 14 Years

[21] Appl. No.: 821,531

[22] Filed: Jan. 15, 1992

[52] U.S. Cl. D15/122

[58] Field of Search 69/2, 17, 20, 48; 100/295, 902; D8/59; D15/199, 122, 123

[56] **References Cited**

U.S. PATENT DOCUMENTS

- D. 211,608 7/1968 Gray D15/122 X
- D. 254,495 3/1980 Roebuck D15/122

5,067,242 11/1991 Singer 69/2 X

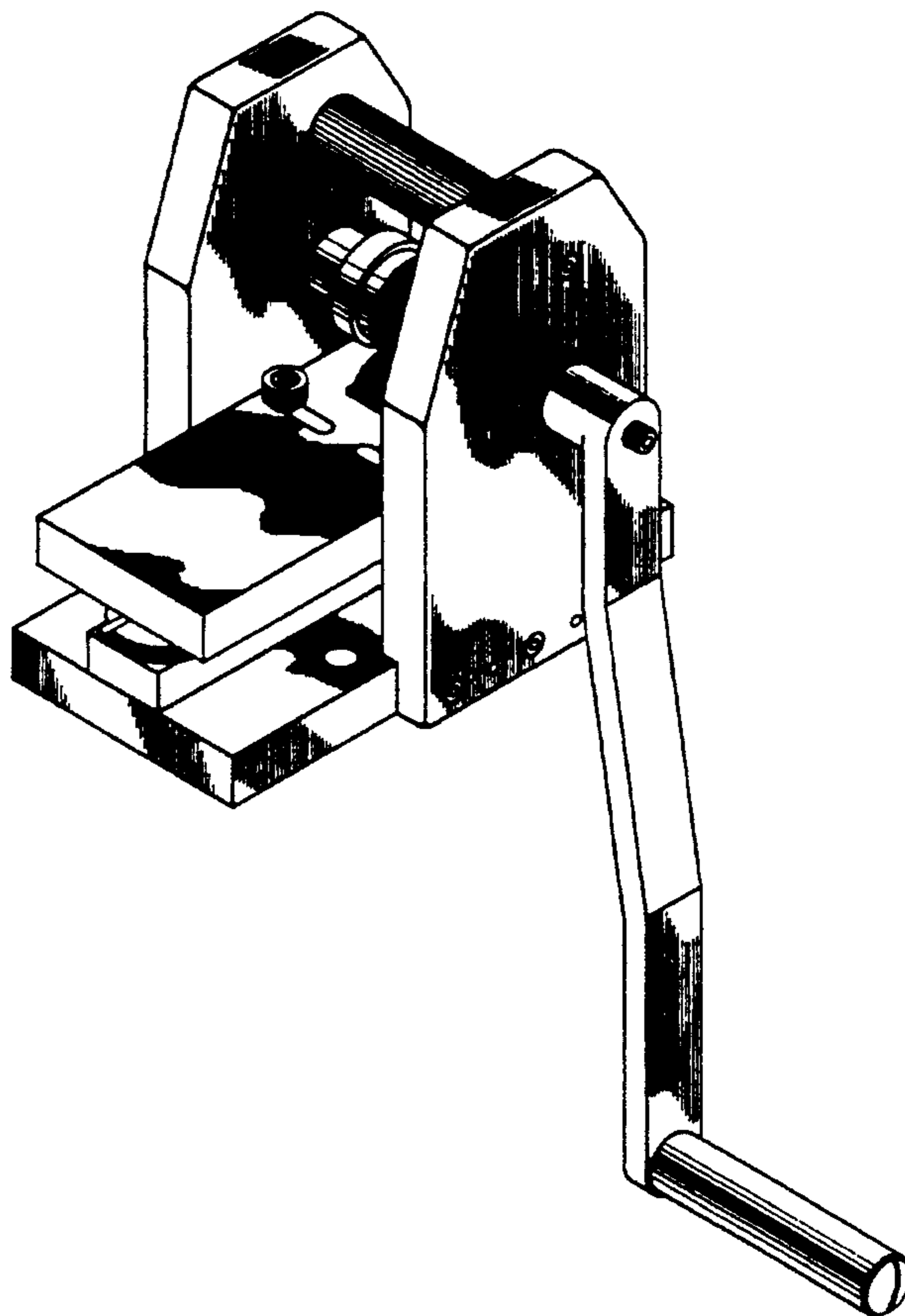
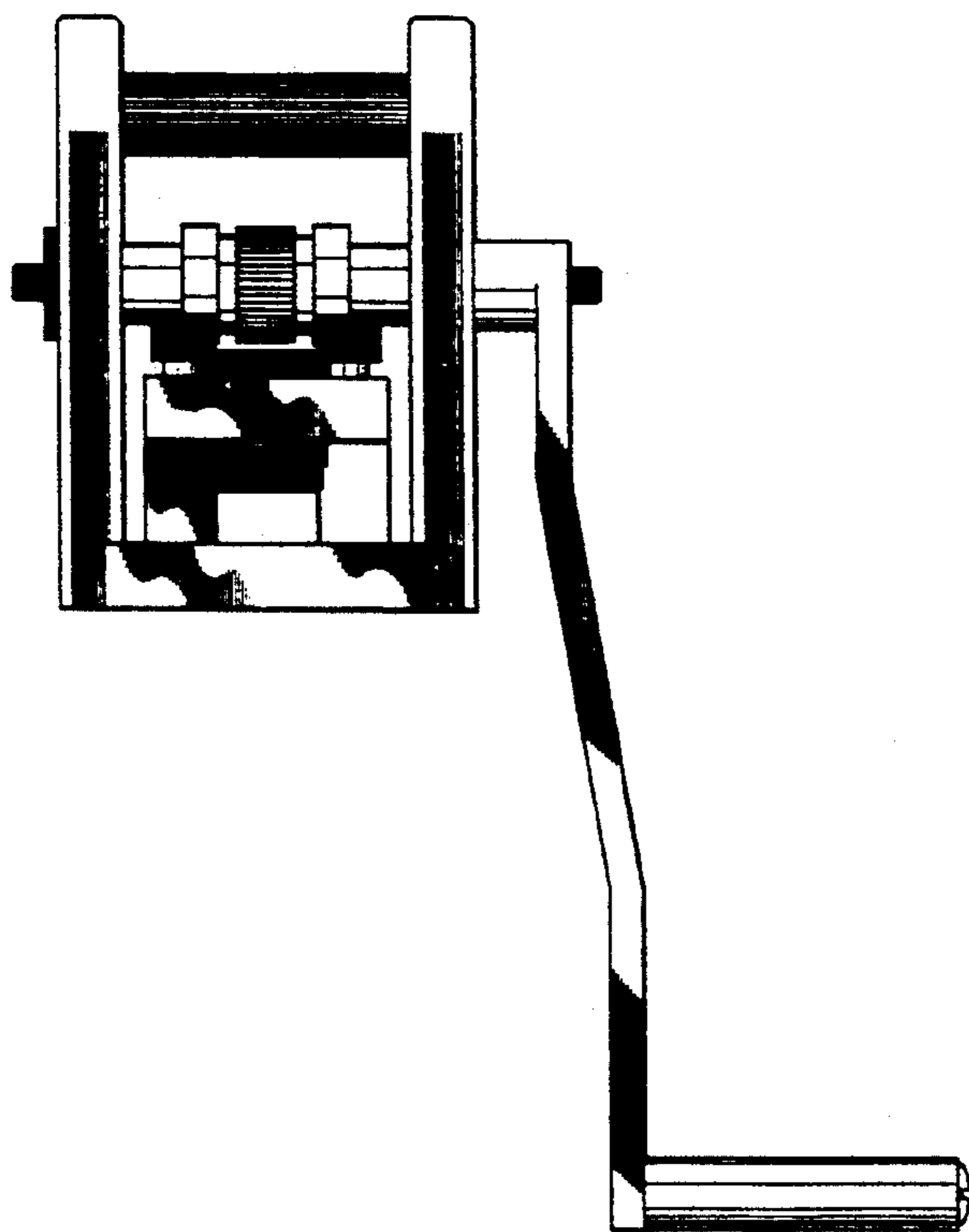
Primary Examiner—Nelson C. Holtje
Assistant Examiner—Antoine D. Davis
Attorney, Agent, or Firm—James E. Bradley

[57] **CLAIM**

The ornamental design for a leather belt embossing apparatus, as shown.

DESCRIPTION

FIG. 1 is a front view of the leather belt embossing apparatus;
FIG. 2 is a rear view of the apparatus;
FIG. 3 is a left side view of the apparatus;
FIG. 4 is a right side view of the apparatus;
FIG. 5 is a top view of the apparatus;
FIG. 6 is a bottom view of the apparatus; and,
FIG. 7 is a perspective view of the apparatus.



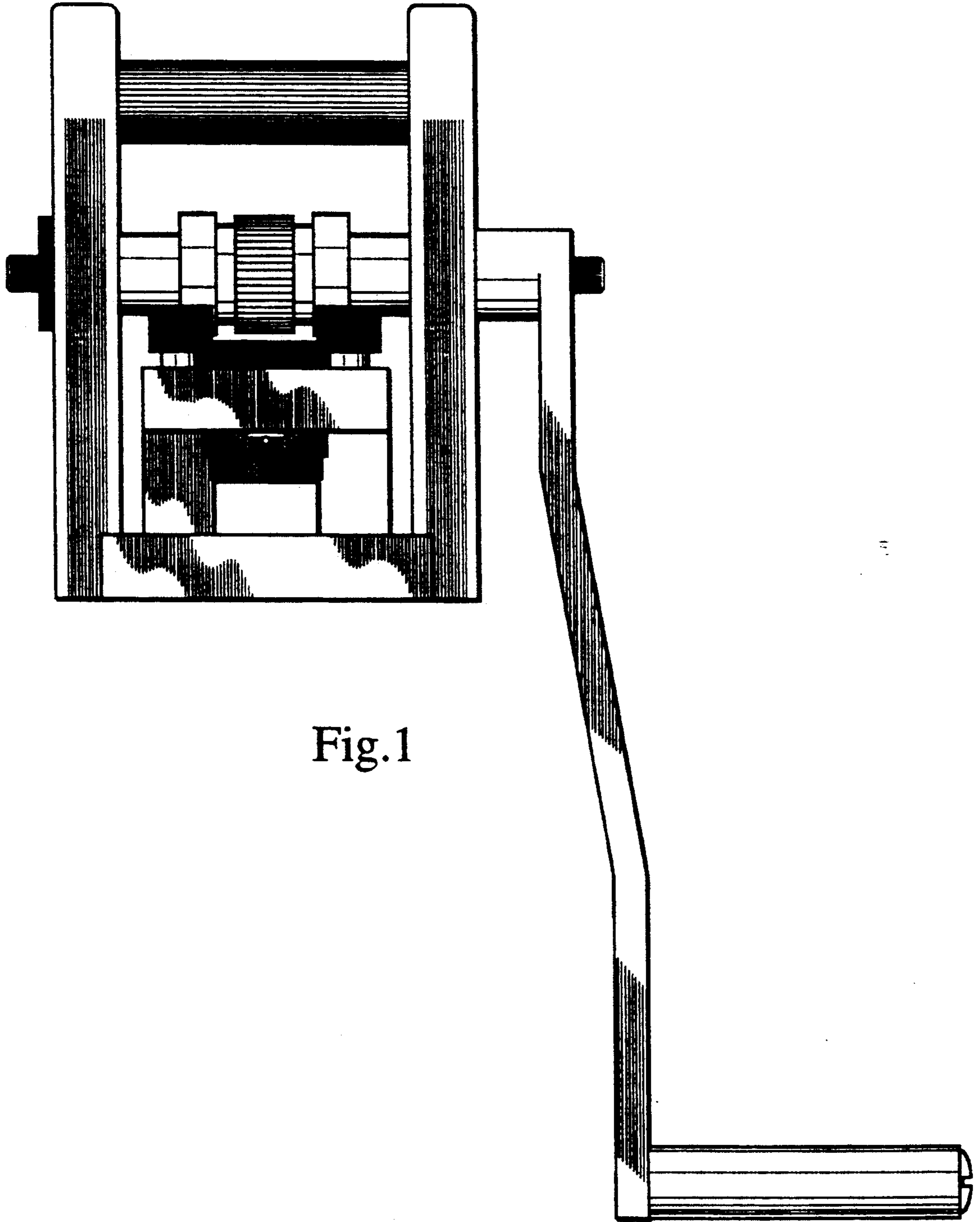


Fig. 1

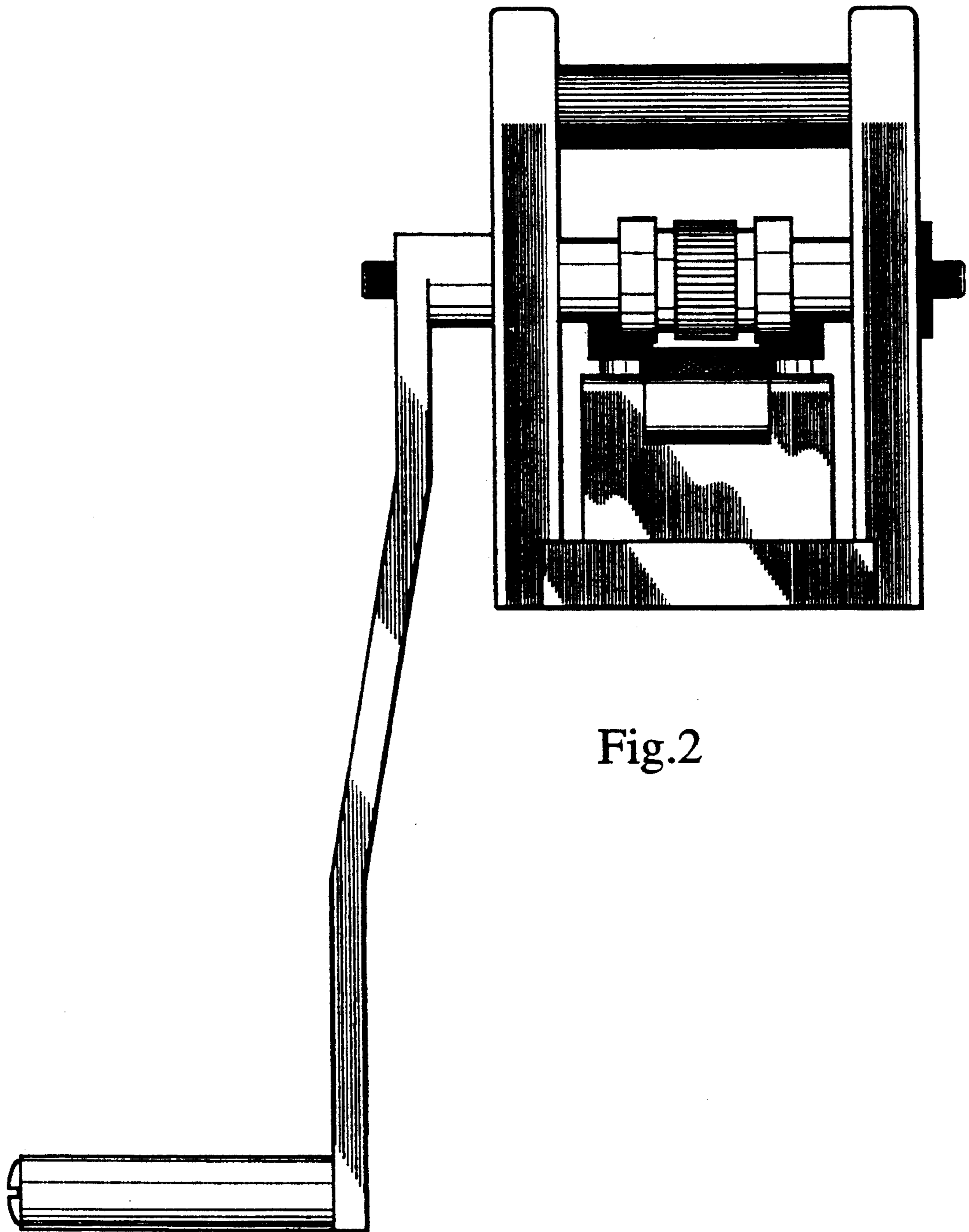


Fig.2

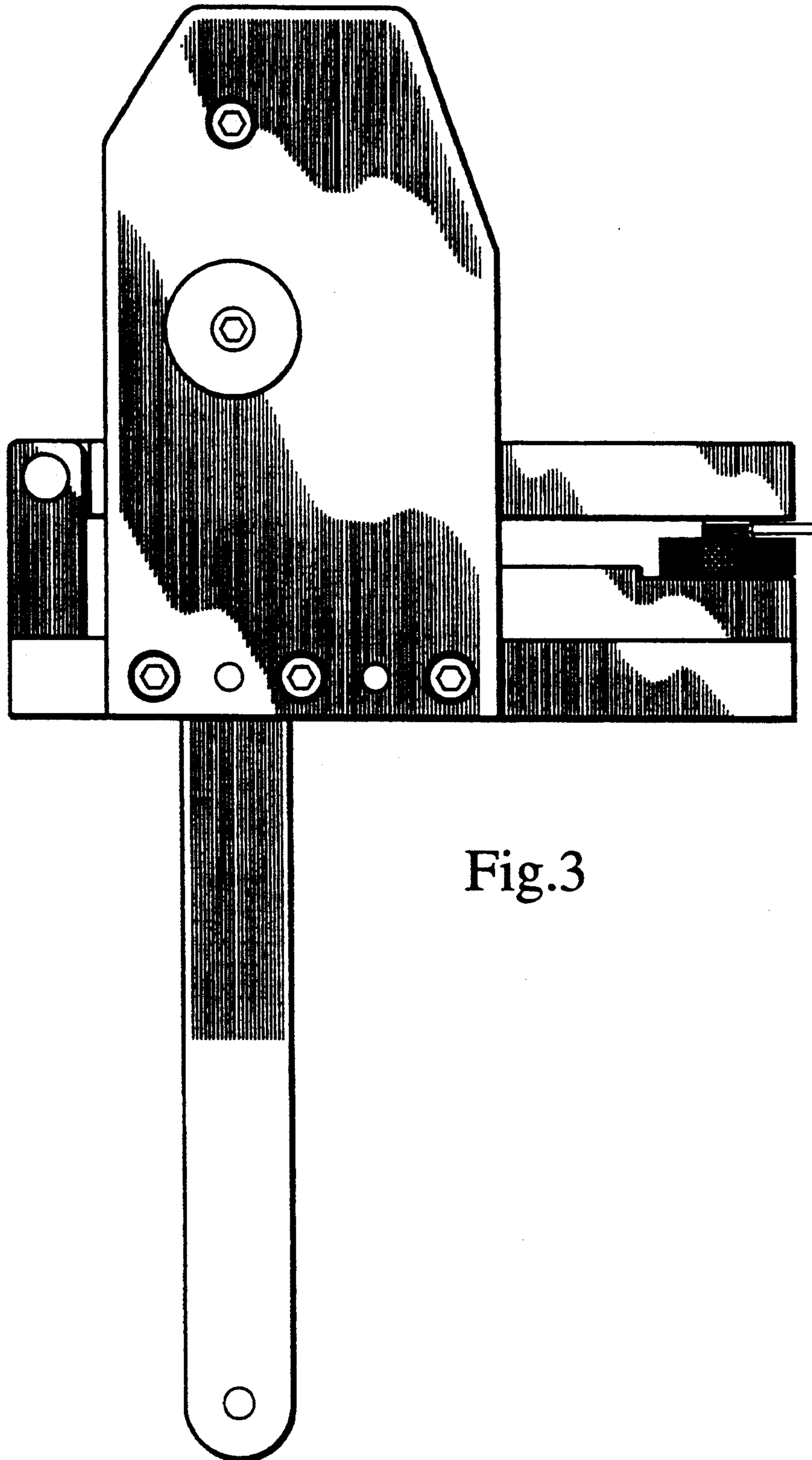


Fig.3

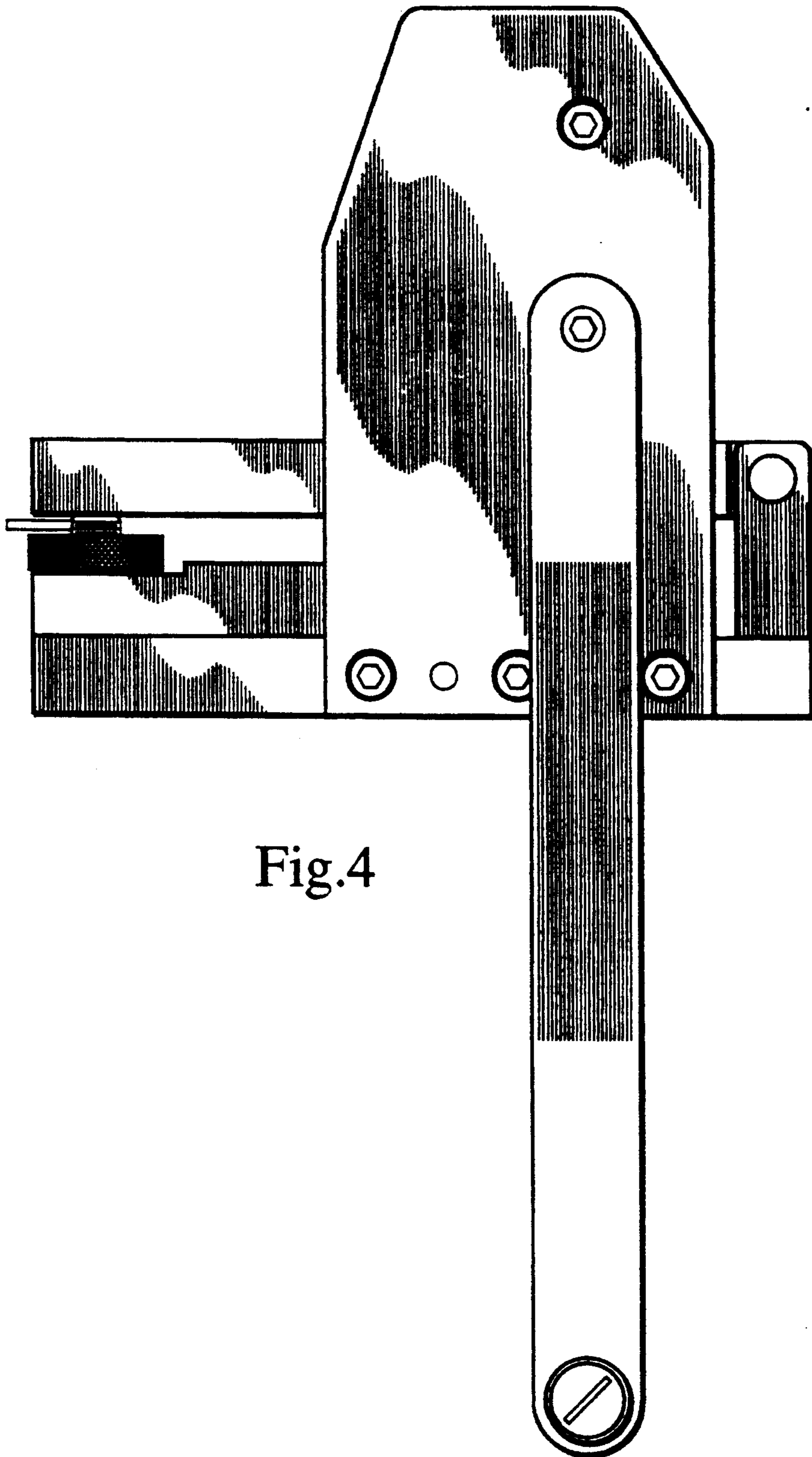


Fig.4

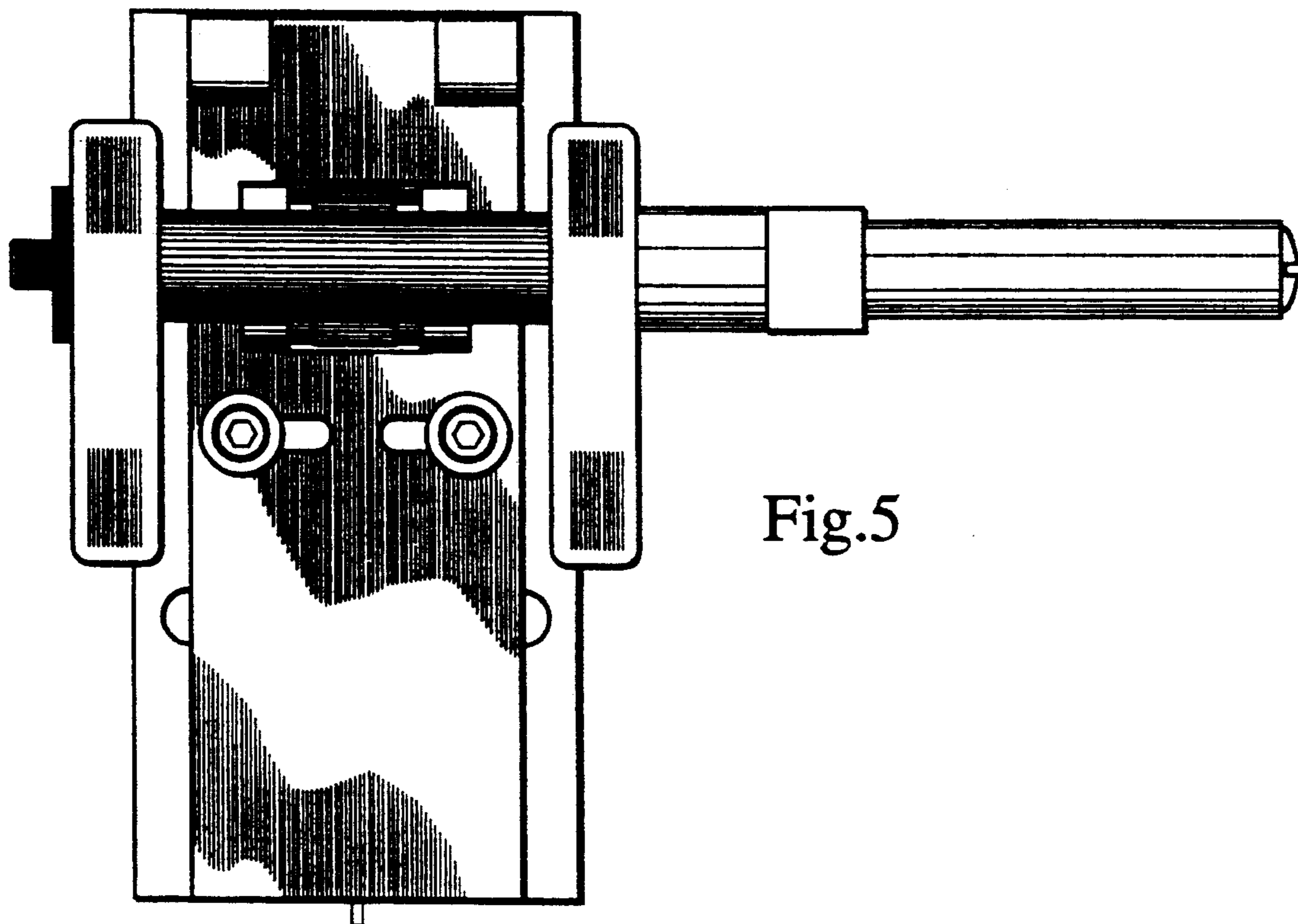


Fig.5

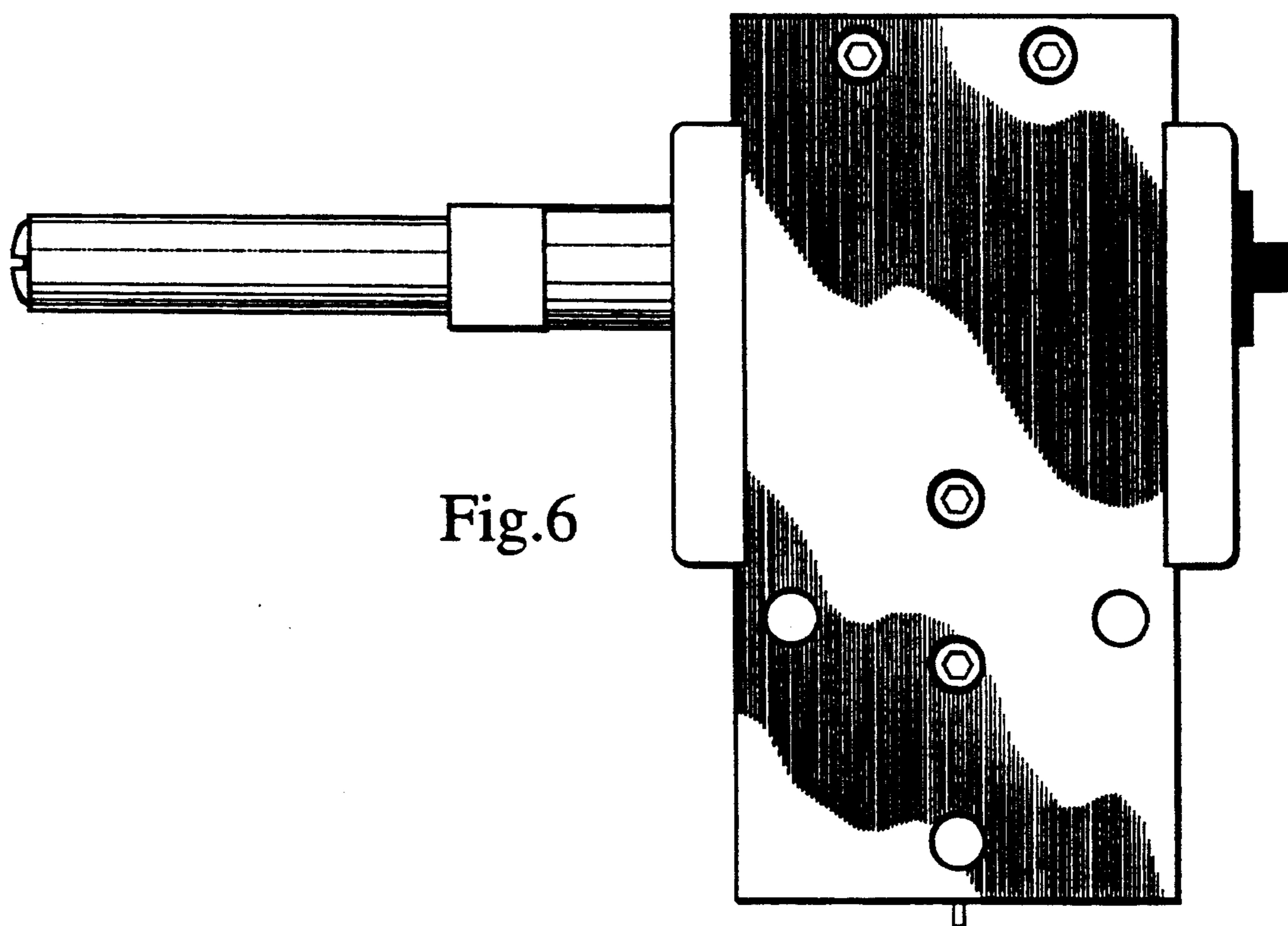


Fig.6

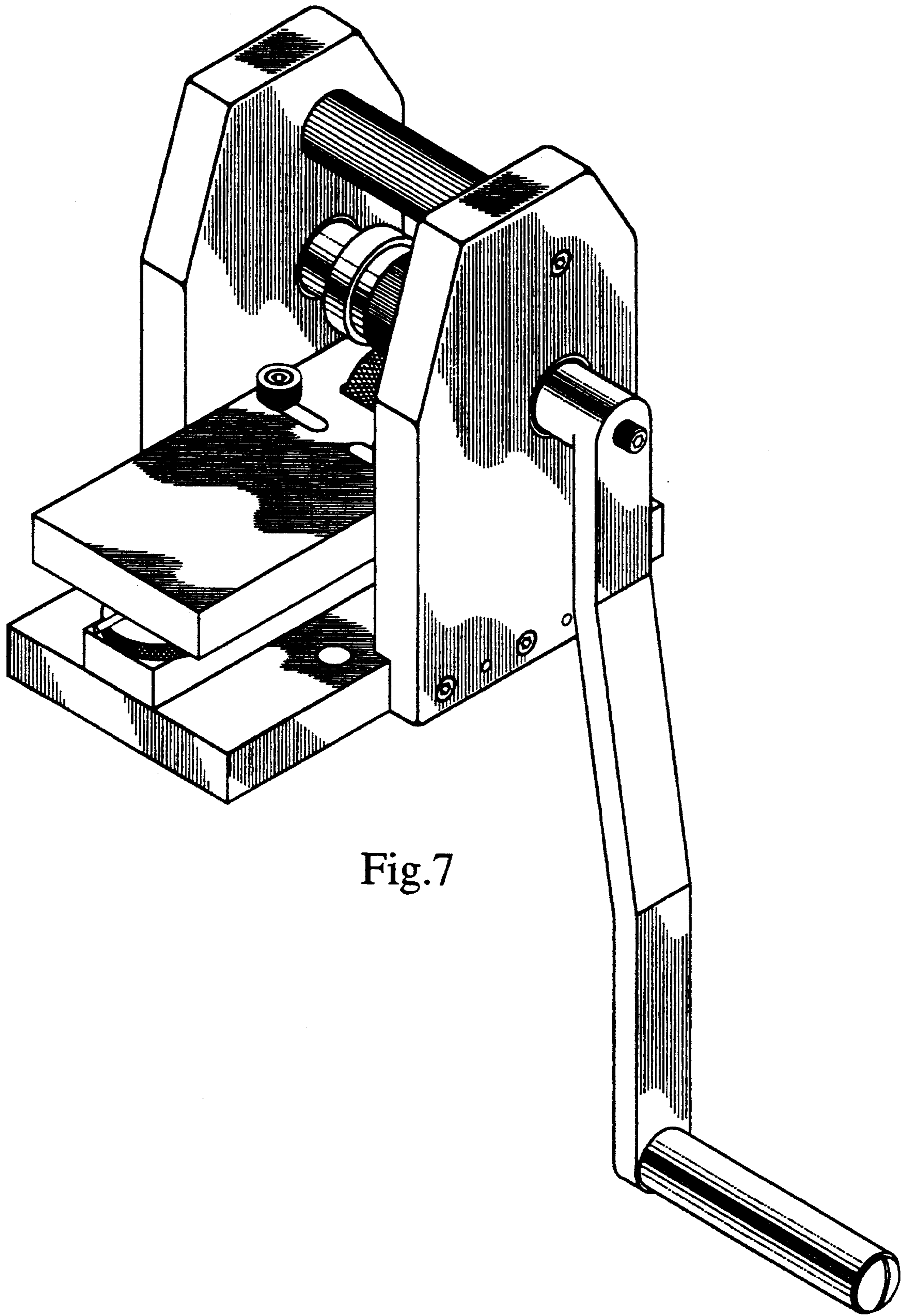


Fig. 7