



US00D343174S

# United States Patent [19]

[11] Patent Number: **Des. 343,174**

**Watanabe**

[45] Date of Patent: **\*\* Jan. 11, 1994**

[54] **AUTOMOBILE TRUNK LID ANTENNA MOUNT**

5,157,409 10/1992 Hamin ..... 343/715

[75] Inventor: **Hironobu Watanabe, Itabashi, Japan**

*Primary Examiner*—Bernard Ansher  
*Assistant Examiner*—Richelle Shelton  
*Attorney, Agent, or Firm*—Wenderoth, Lind & Ponack

[73] Assignee: **Dai-Ichi Denpa Kogyo Co., Ltd., Tokyo, Japan**

[\*\*] Term: **14 Years**

[57] **CLAIM**

[21] Appl. No.: **819,000**

The ornamental design for an automobile trunk lid antenna mount, as shown and described.

[22] Filed: **Jan. 10, 1992**

[30] **Foreign Application Priority Data**

Aug. 14, 1991 [JP] Japan ..... 3-24612

[52] U.S. Cl. .... **D14/238**

[58] Field of Search ..... D8/373; 343/715, 713, 343/892; 248/539; D14/238

**DESCRIPTION**

FIG. 1 is a perspective view of a automobile trunk lid antenna mount showing my new design, taken from the top, front and right side of the stand;  
FIG. 2 is a perspective view of the stand taken from the bottom, rear and left side of the stand;  
FIG. 3 is a front elevational view thereof;  
FIG. 4 is a rear elevational view thereof;  
FIG. 5 is a top plan view thereof;  
FIG. 6 is a bottom plan view thereof;  
FIG. 7 is a left side elevational view thereof; and,  
FIG. 8 is a right side elevational view thereof.

[56] **References Cited**

**U.S. PATENT DOCUMENTS**

- 4,037,229 7/1977 Dunk ..... 343/715
- 4,115,779 9/1978 Dantzler et al. .... 343/715
- 4,149,694 4/1979 Verini ..... 248/539

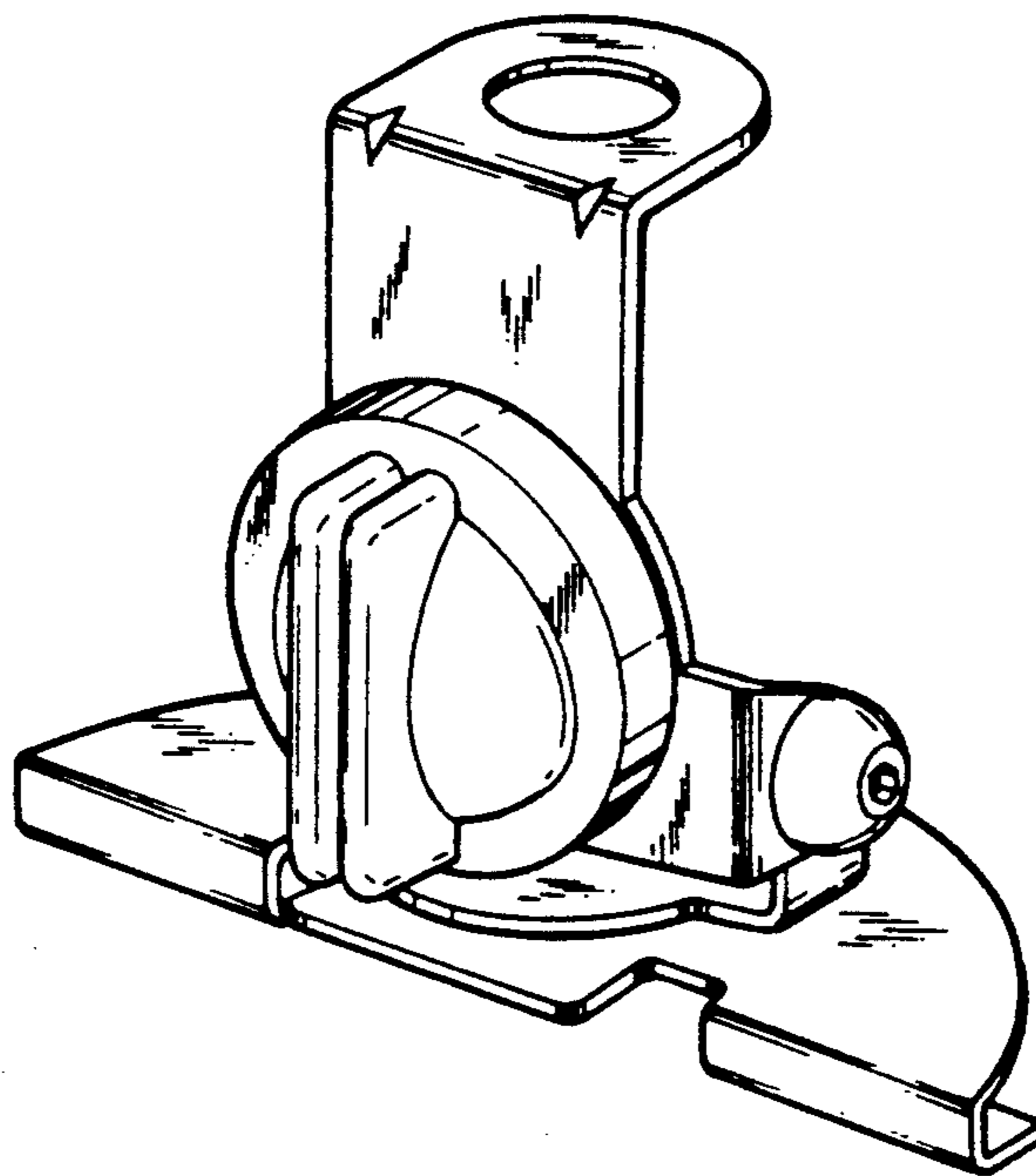


FIG. 1

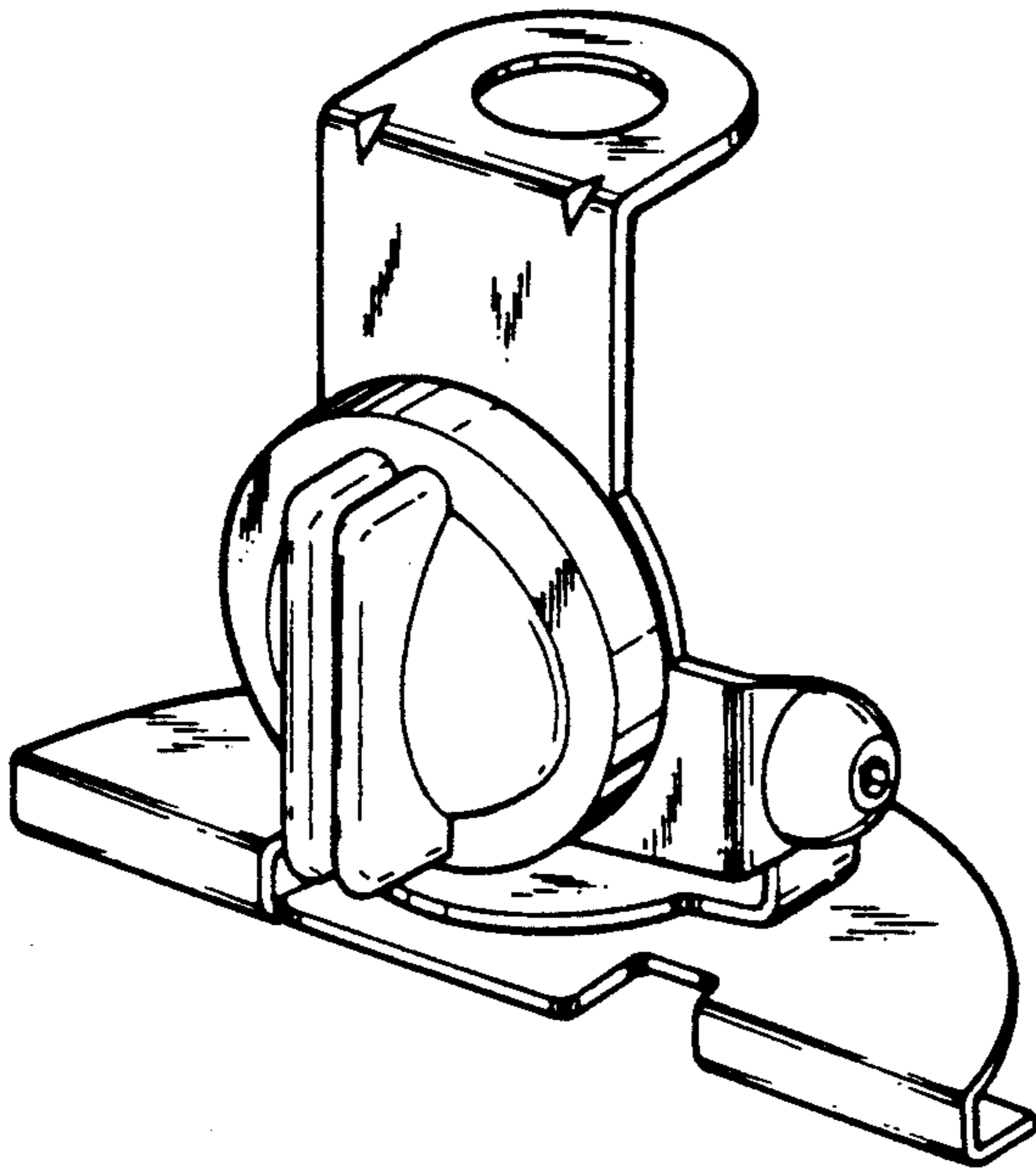


FIG. 2

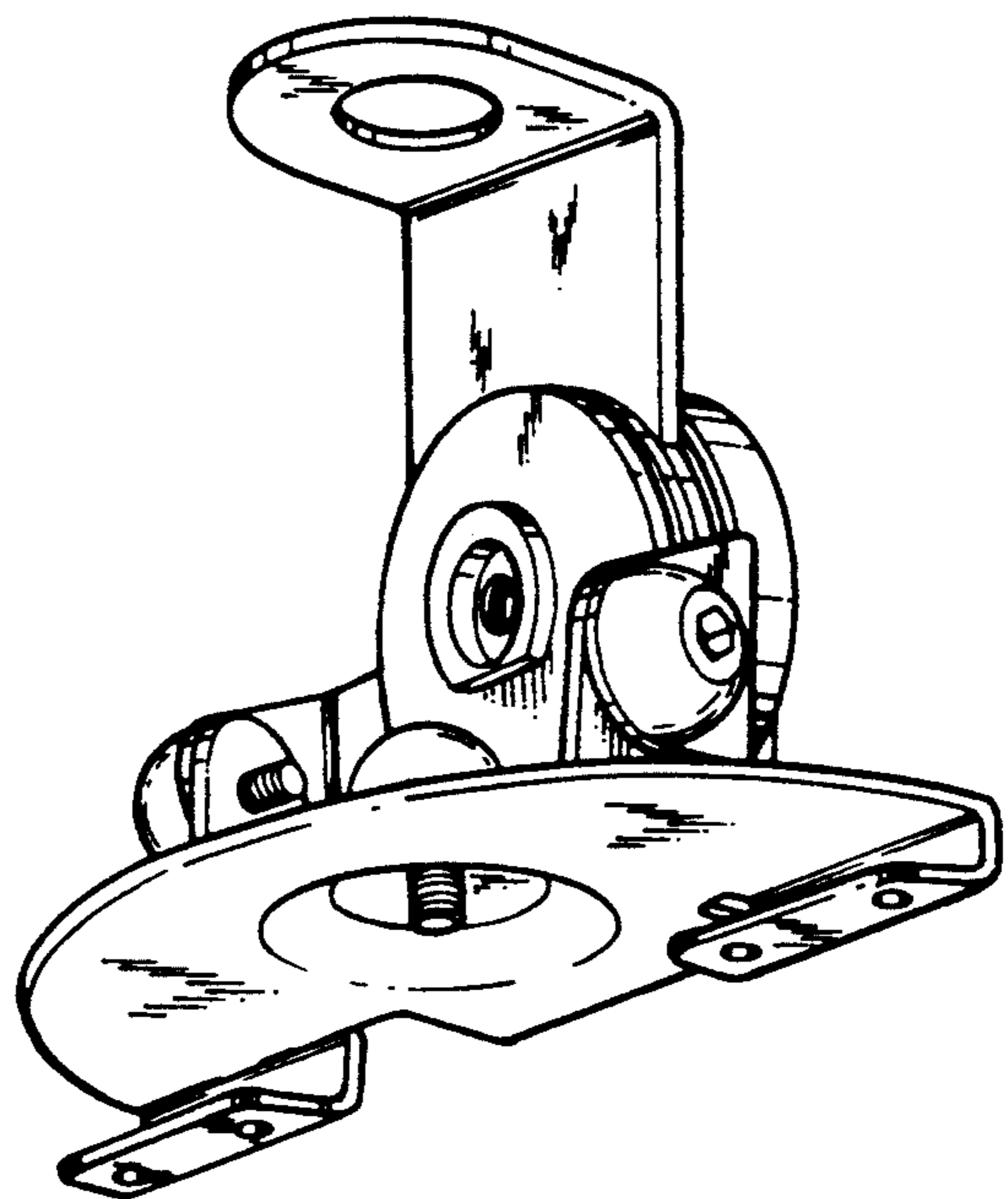


FIG. 3

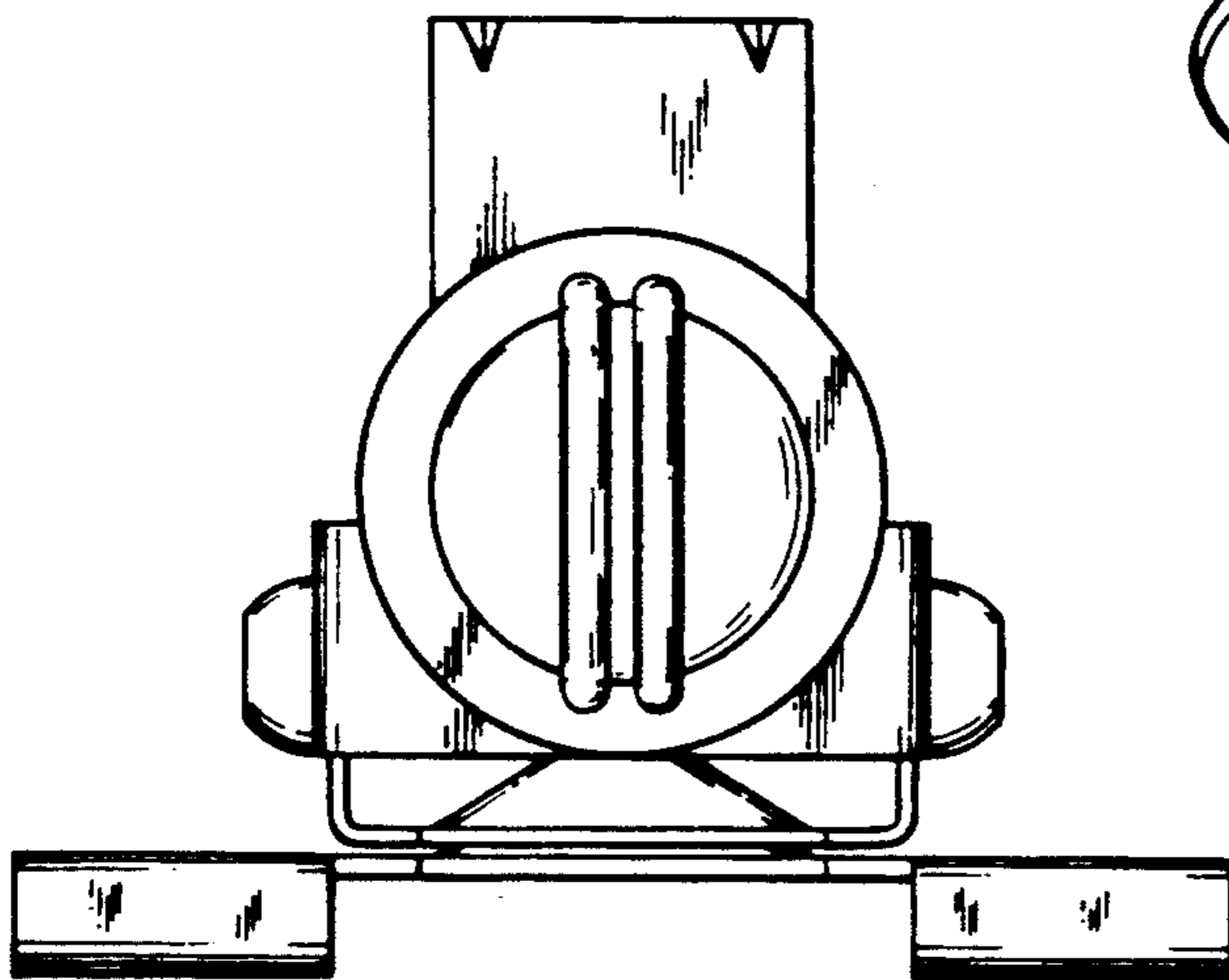


FIG. 4

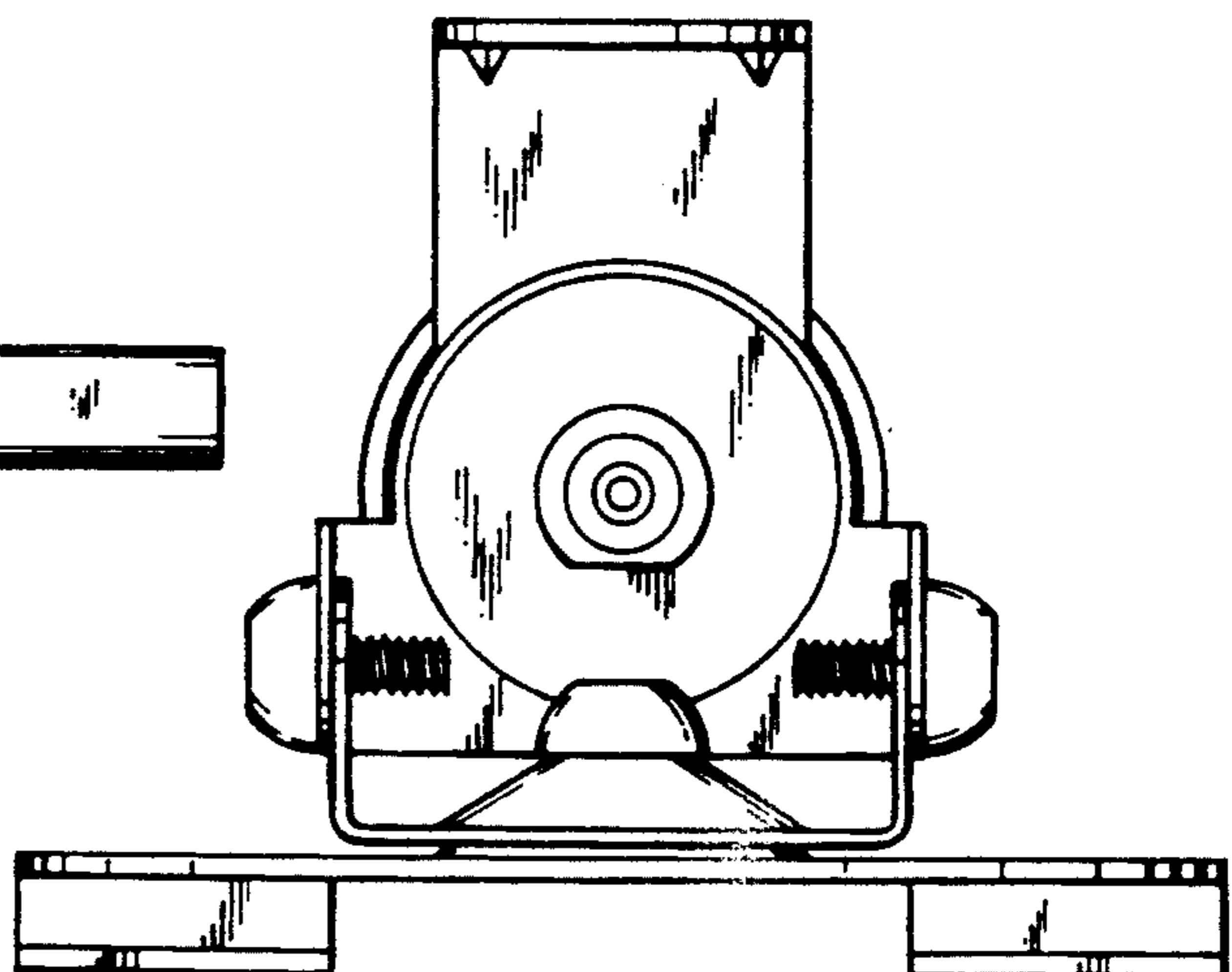


FIG. 5

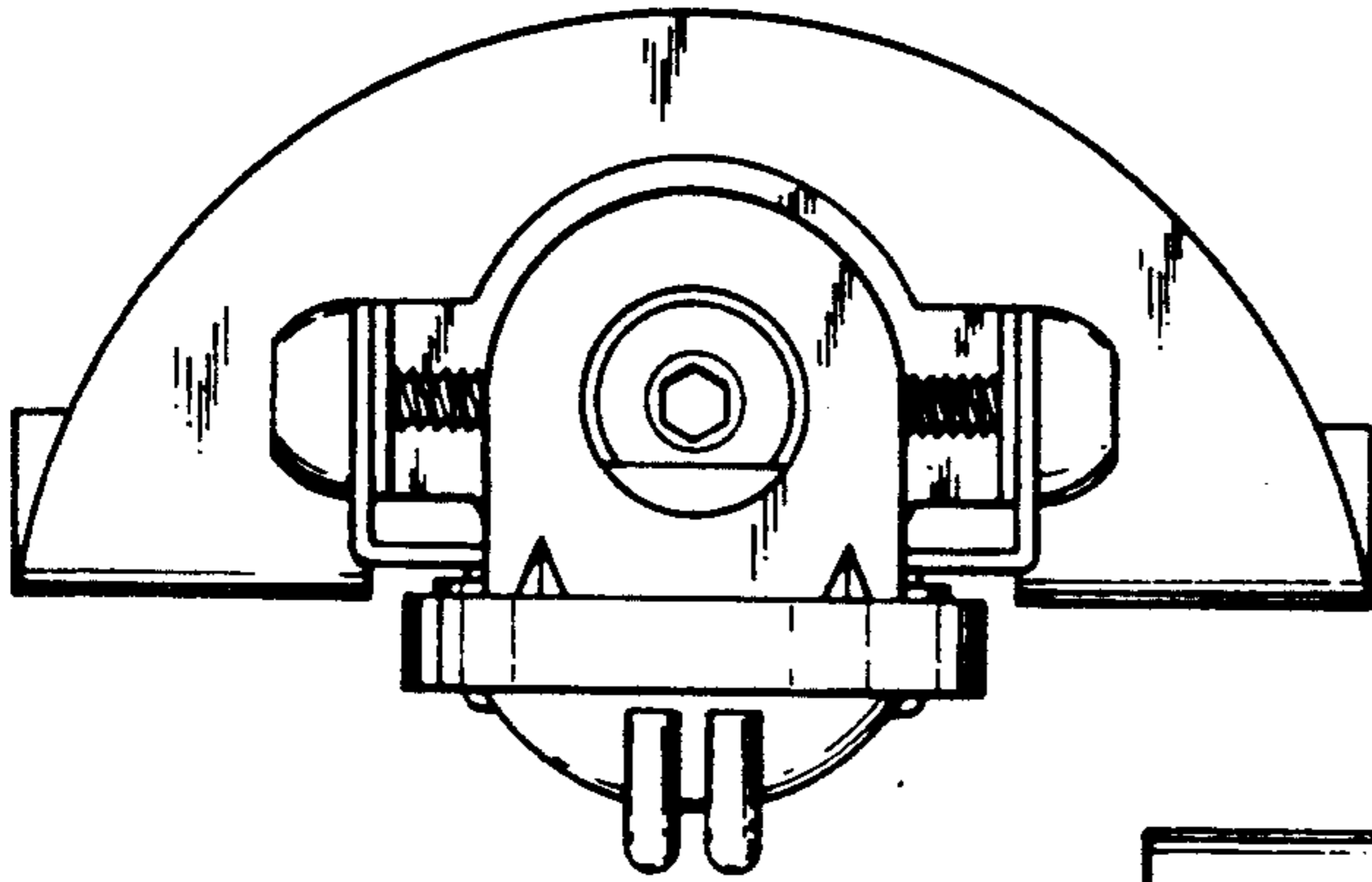


FIG. 6

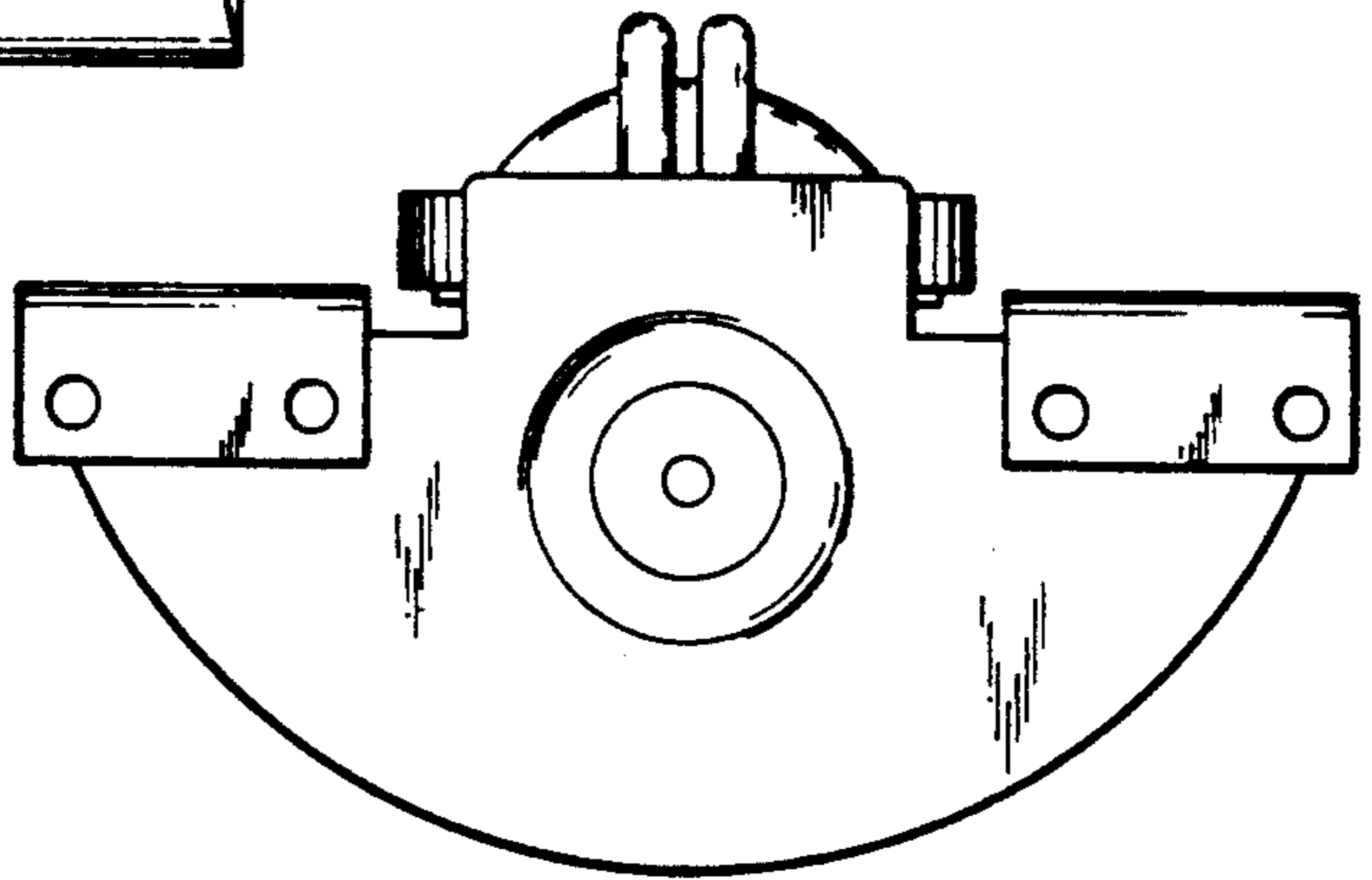


FIG. 7

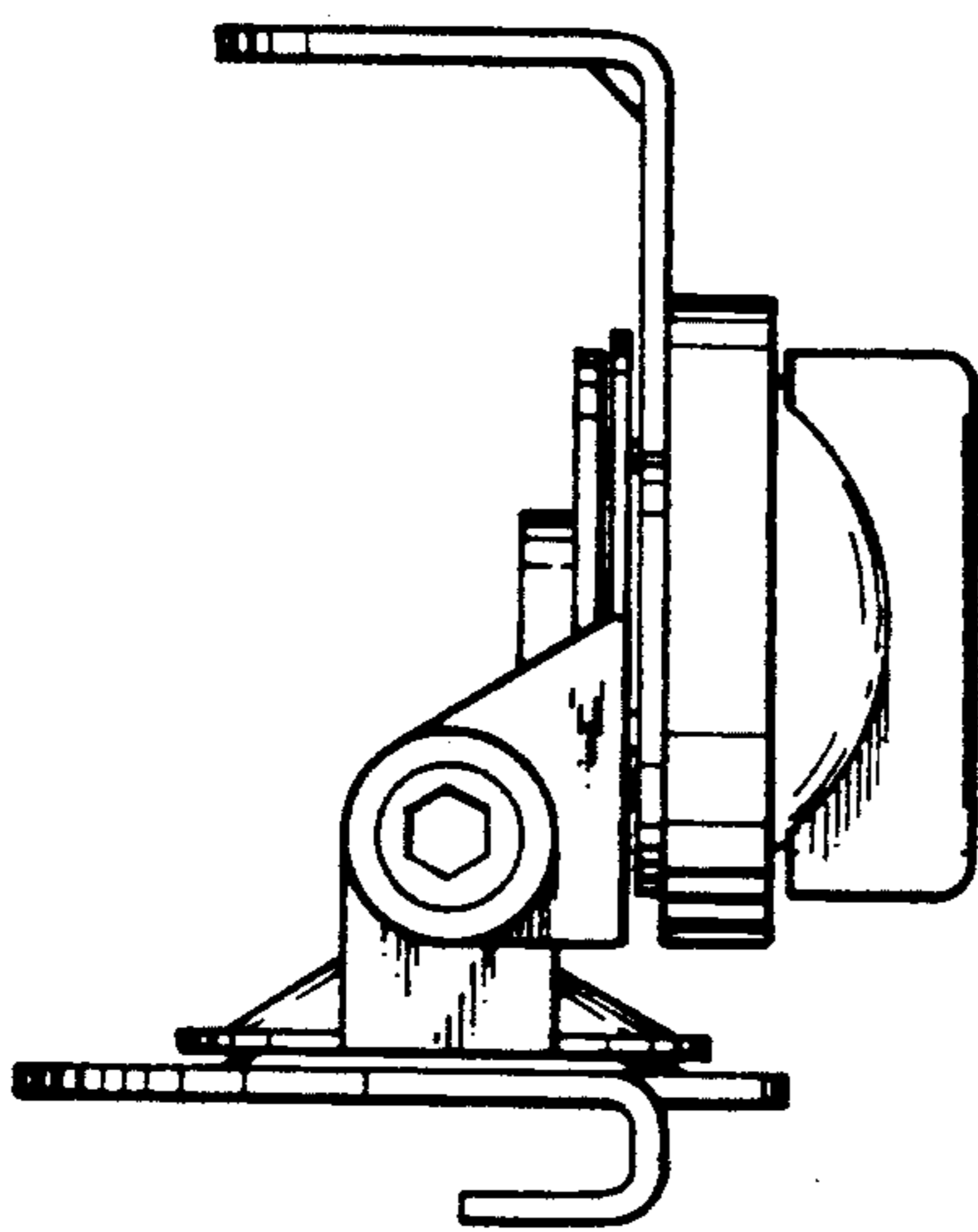


FIG. 8

