



US00D343171S

# United States Patent [19]

[11] Patent Number: **Des. 343,171**

Taylor

[45] Date of Patent: **\*\* Jan. 11, 1994**

[54] **PORTABLE COMBINATION BEEPER AND TELEPHONE UNIT**

5,014,346 5/1991 Phillips et al. .... 379/433 X

[76] Inventor: **Maurice B. Taylor**, 230 14th St. SE., Washington, D.C. 20003

### FOREIGN PATENT DOCUMENTS

0135959 8/1984 Japan ..... D14/et al.

[\*\*] Term: **14 Years**

### OTHER PUBLICATIONS

People Magazine Dec. 7, 1987, Panasonic telephone.  
Motorola phone—Electronics Jun. 1990.

[21] Appl. No.: **833,903**

*Primary Examiner*—Alan P. Douglas  
*Assistant Examiner*—Jeffery Asch

[22] Filed: **Feb. 11, 1992**

[52] U.S. Cl. .... **D14/138; D14/191**

[58] Field of Search ..... 379/59, 58, 60, 61,  
379/433; D14/138, 137, 140, 142, 148, 147, 240,  
248, 191

### [57] CLAIM

The ornamental design for a portable combination beeper and telephone unit, as shown and described.

### [56] References Cited

### DESCRIPTION

#### U.S. PATENT DOCUMENTS

D. 282,738	2/1986	Nichols	.....	D14/138
D. 297,633	9/1988	Peroni	.....	D13/184
D. 304,189	10/1989	Nagele et al.	.....	D14/248 X
D. 306,294	2/1990	Watanabe	.....	D14/248 X
D. 317,606	6/1991	Irie et al.	.....	D14/138
D. 319,233	8/1991	Konno et al.	.....	D14/128 X
D. 328,070	7/1992	Seay	.....	D14/248
D. 328,294	7/1992	Stilley	.....	D14/138

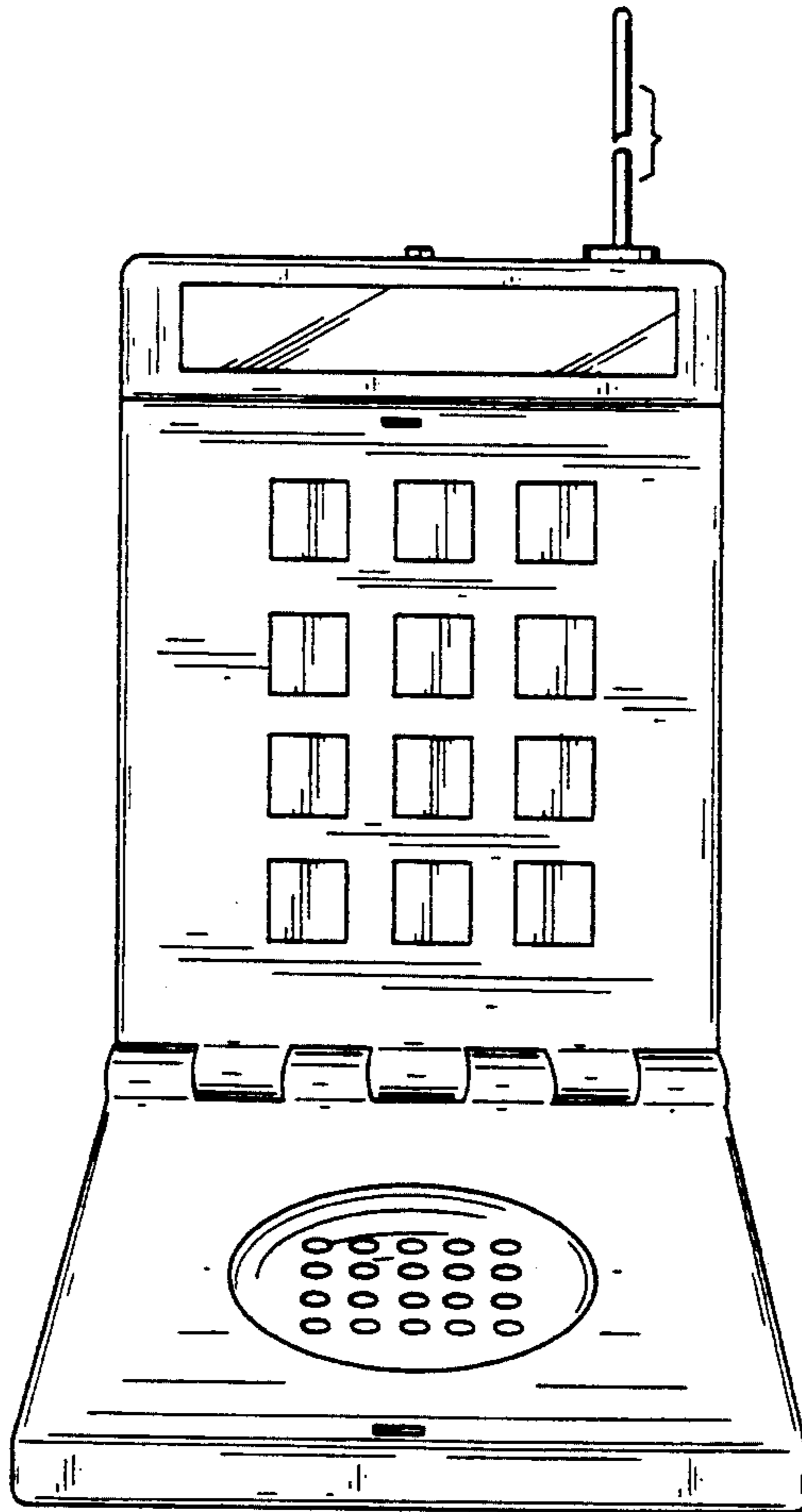
FIG. 1 is a front elevational view of a portable combination beeper and telephone unit with the cover in closed position showing my new design;

FIG. 2 is a perspective view the cover in an open position;

FIG. 3 is a left side elevational view, the right side being a mirror image thereof;

FIG. 4 is a top plan view; and,

FIG. 5 is a rear perspective view thereof.



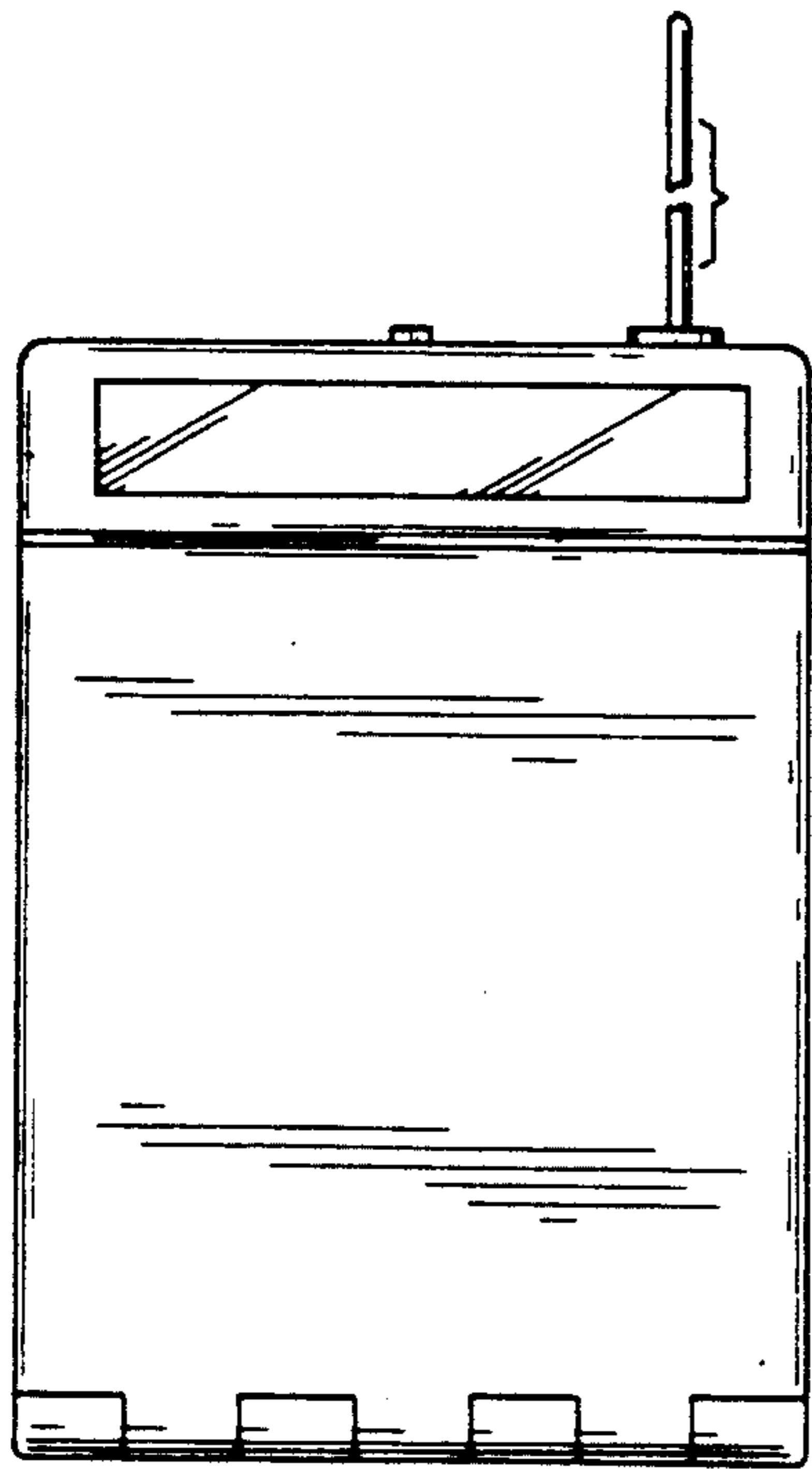


FIG. 1

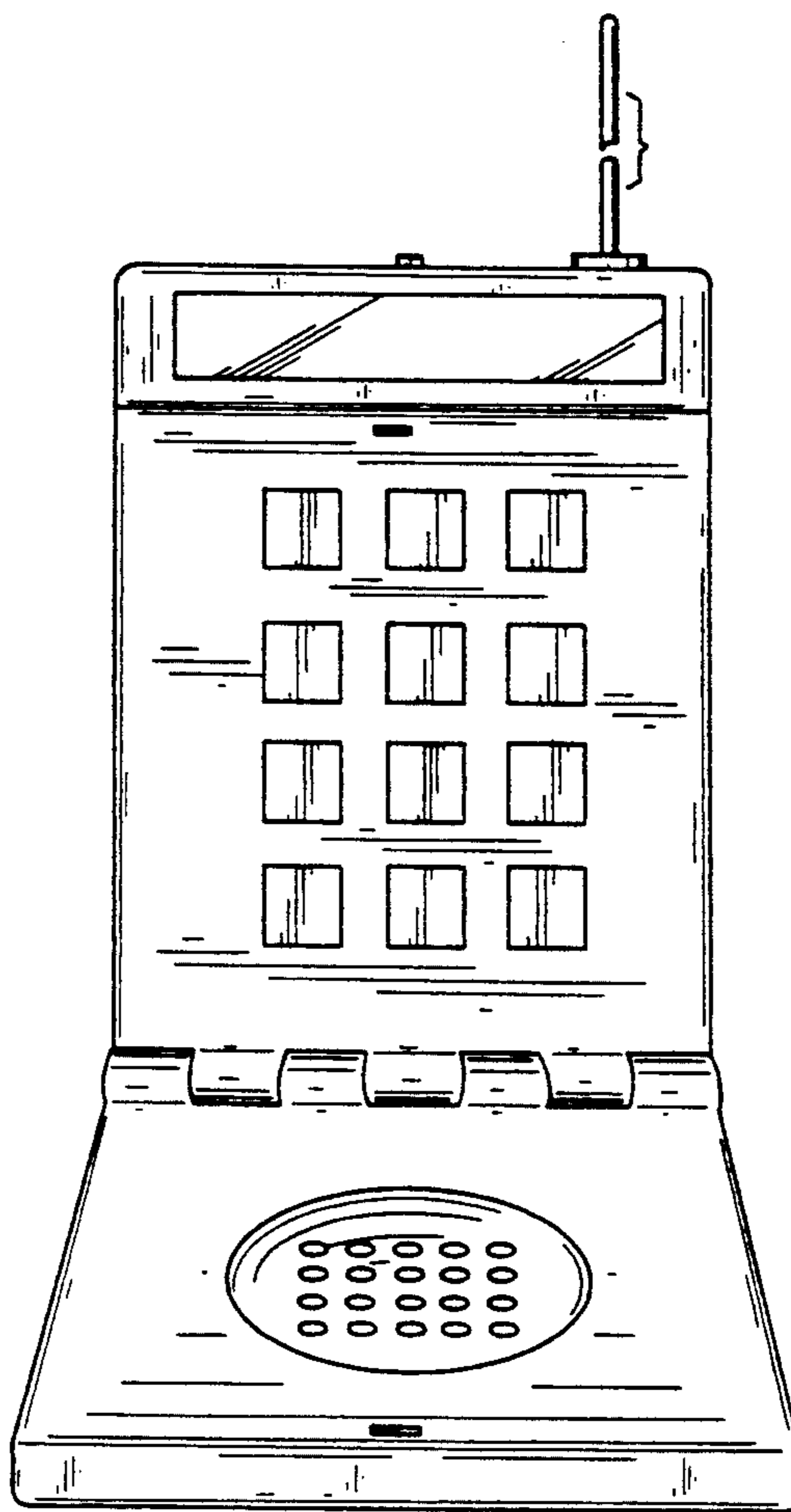


FIG. 2

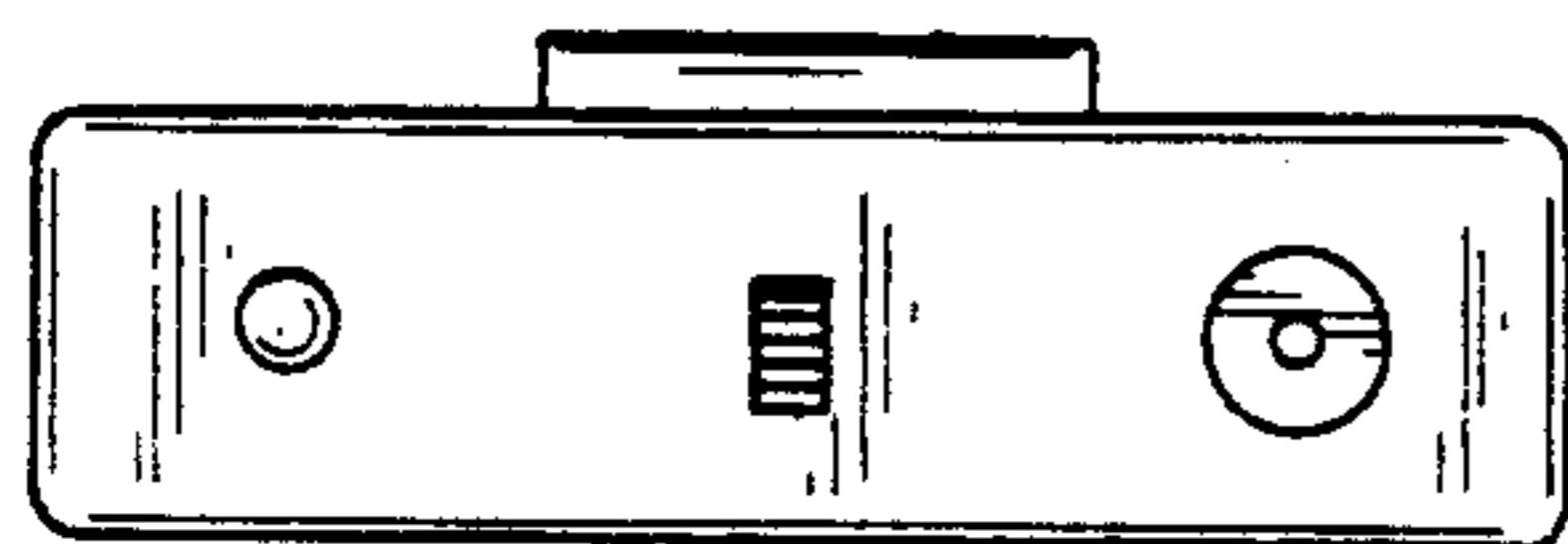


FIG. 4

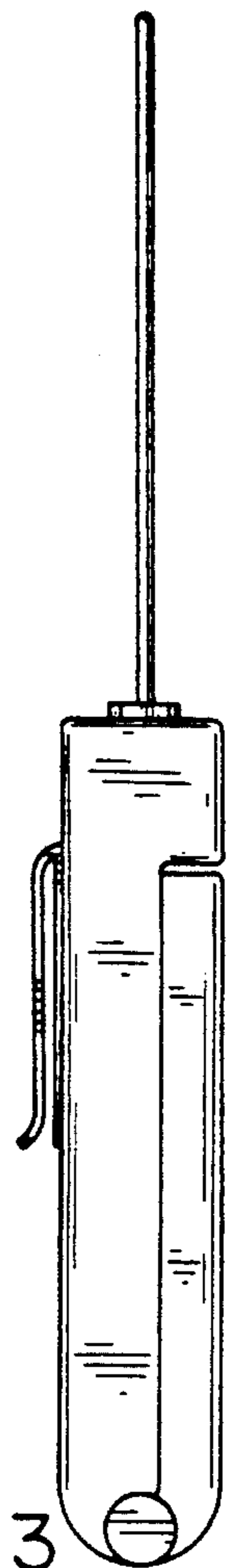


FIG. 3

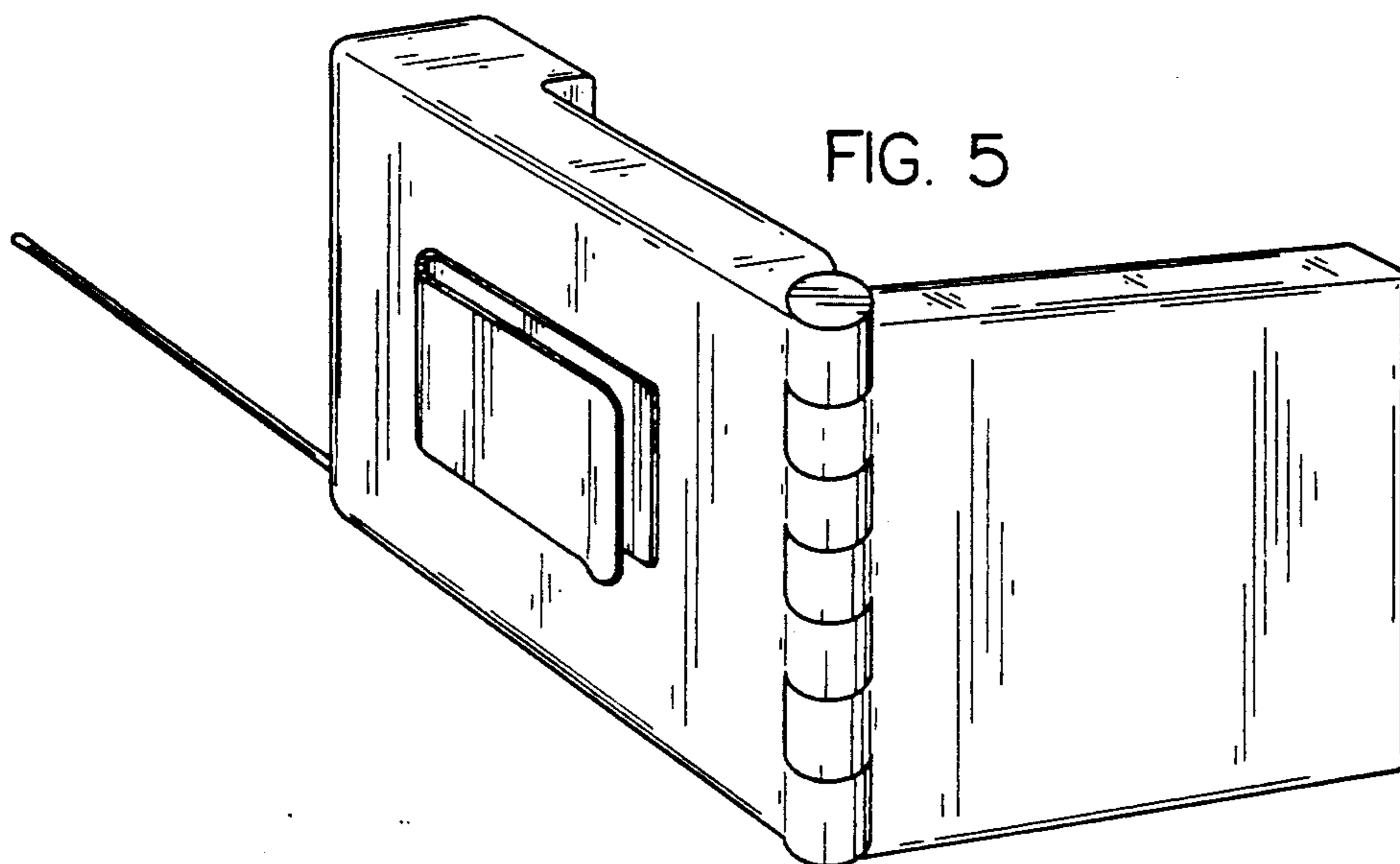


FIG. 5