



US00D343168S

United States Patent [19]

[11] Patent Number: Des. 343,168

Morisaki et al.

[45] Date of Patent: ** Jan. 11, 1994

[54] **COMPUTER**

[75] Inventors: **Takamitsu Morisaki; Toshiya Takahashi**, both of Kyoto; **Maki Tomoike**, Nara, all of Japan

[73] Assignee: **Sharp Kabushiki Kaisha**, Osaka, Japan

[**] Term: **14 Years**

[21] Appl. No.: **866,042**

[22] Filed: **Apr. 10, 1992**

[52] U.S. Cl. **D14/106; D14/100**

[58] Field of Search **235/145 A, 145 R; 340/700, 706; 341/22, 23; 361/390, 394; 364/708, 709.04; D14/100, 101, 106, 113, 115; D18/1, 7, 12**

[56] **References Cited**

U.S. PATENT DOCUMENTS

D. 303,661	9/1989	Manabe et al.	D14/113
D. 321,179	10/1991	Oyama	D14/113
D. 330,197	10/1992	Kajita	D14/106
D. 336,077	6/1993	Barry et al.	D14/106
D. 336,637	6/1993	Abe et al.	D14/106
D. 337,104	7/1993	Orchard	D14/113

Primary Examiner—Wallace R. Burke
Assistant Examiner—Freda S. Nunn
Attorney, Agent, or Firm—Nixon & Vanderhye

[57] **CLAIM**

The ornamental design for a computer, as shown and described.

DESCRIPTION

FIG. 1 is a top plan view of a computer according to the present design with a keyboard and the display screen directed forwardly;
 FIG. 2 is a front elevational view thereof;
 FIG. 3 is a right side elevational view thereof;
 FIG. 4 is a rear elevational view thereof;
 FIG. 5 is a left side elevational view thereof;
 FIG. 6 is a bottom plan view thereof;
 FIG. 7 is a right side elevational view thereof with the keyboard in a standing condition;
 FIG. 8 is a top plan view thereof with the display screen in a canted position;
 FIG. 9 is a front elevational view thereof with the display screen rotated ninety degrees; and,
 FIG. 10 is a right side elevational view thereof with the display screen tilted.

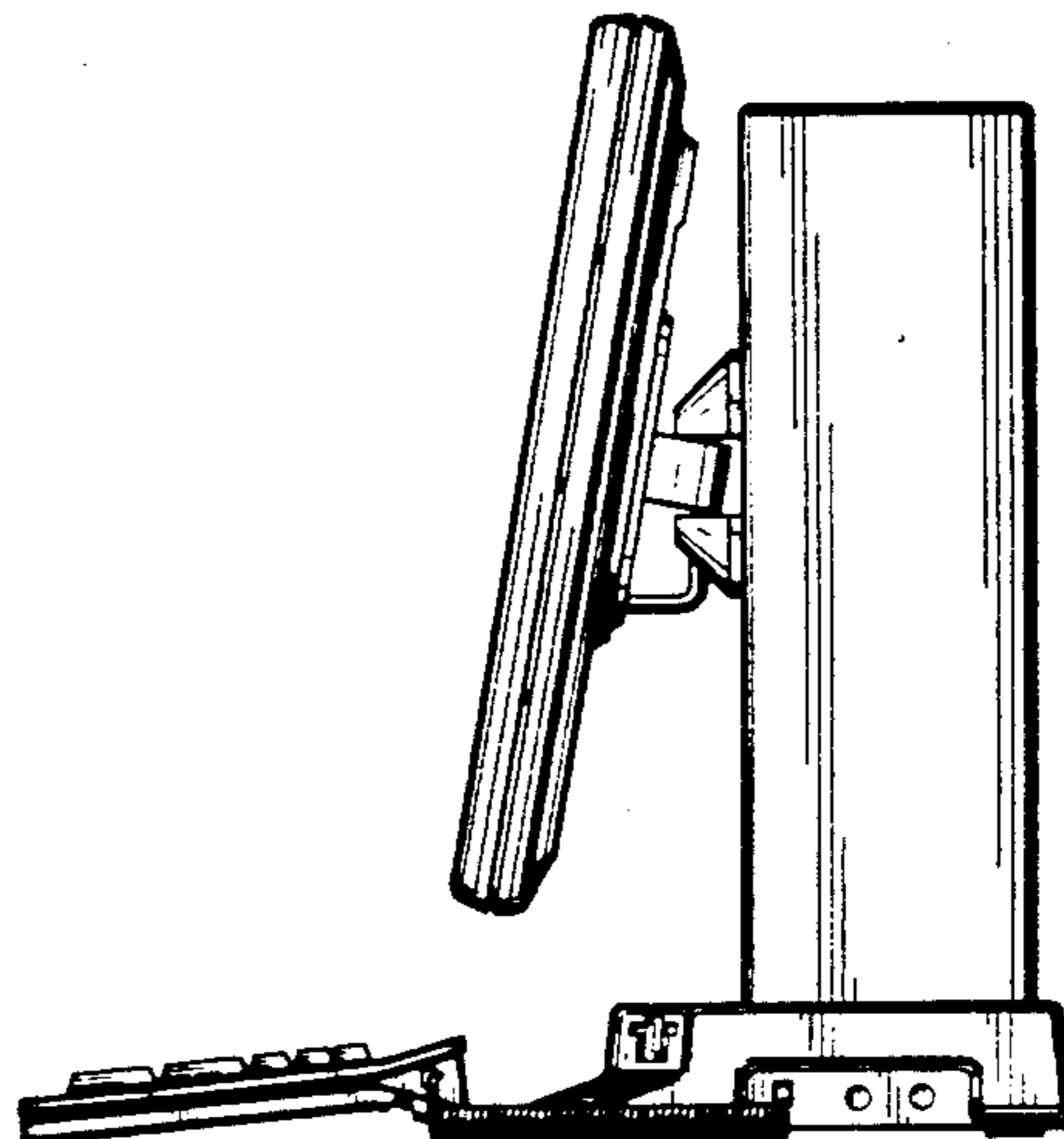
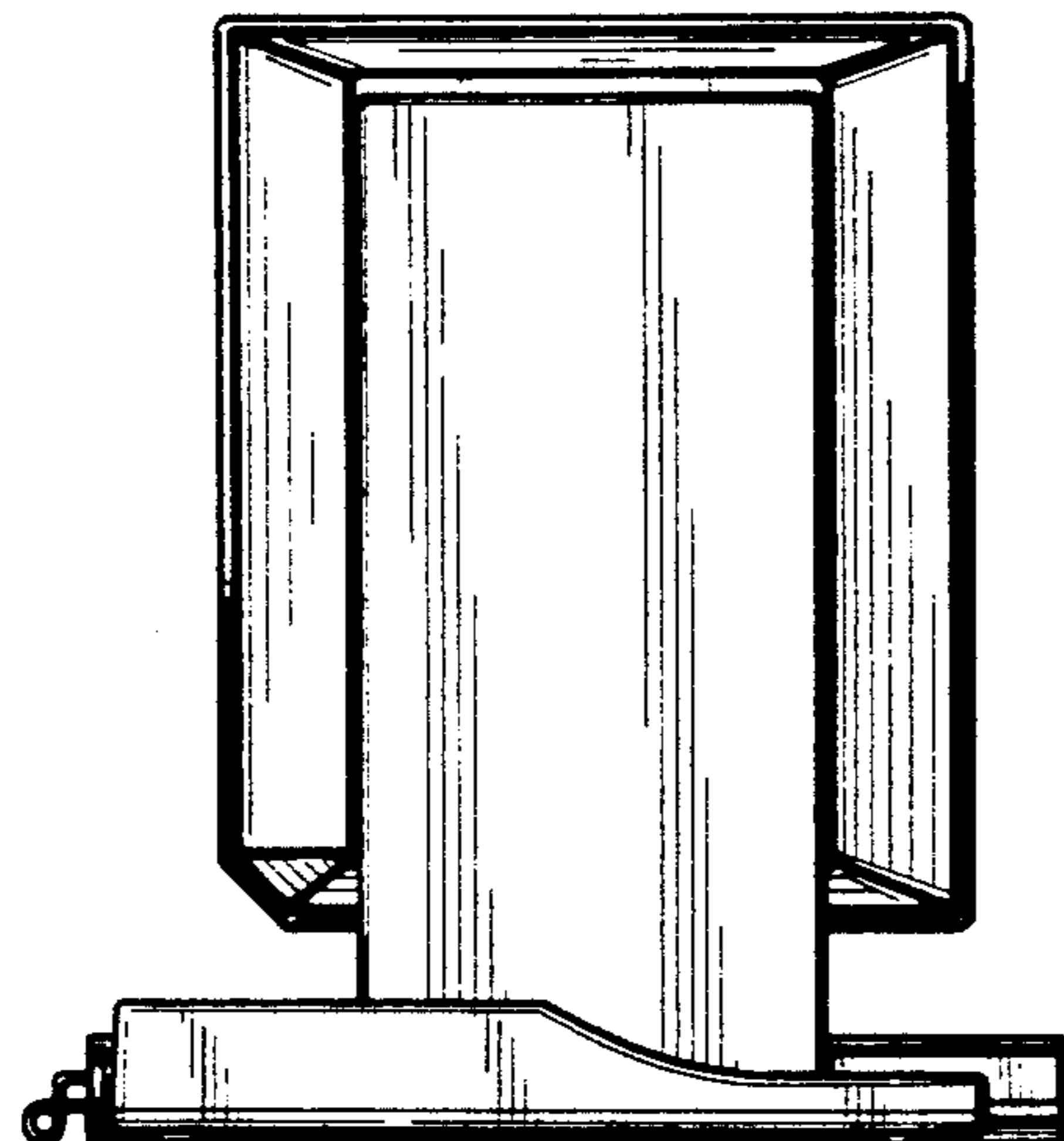
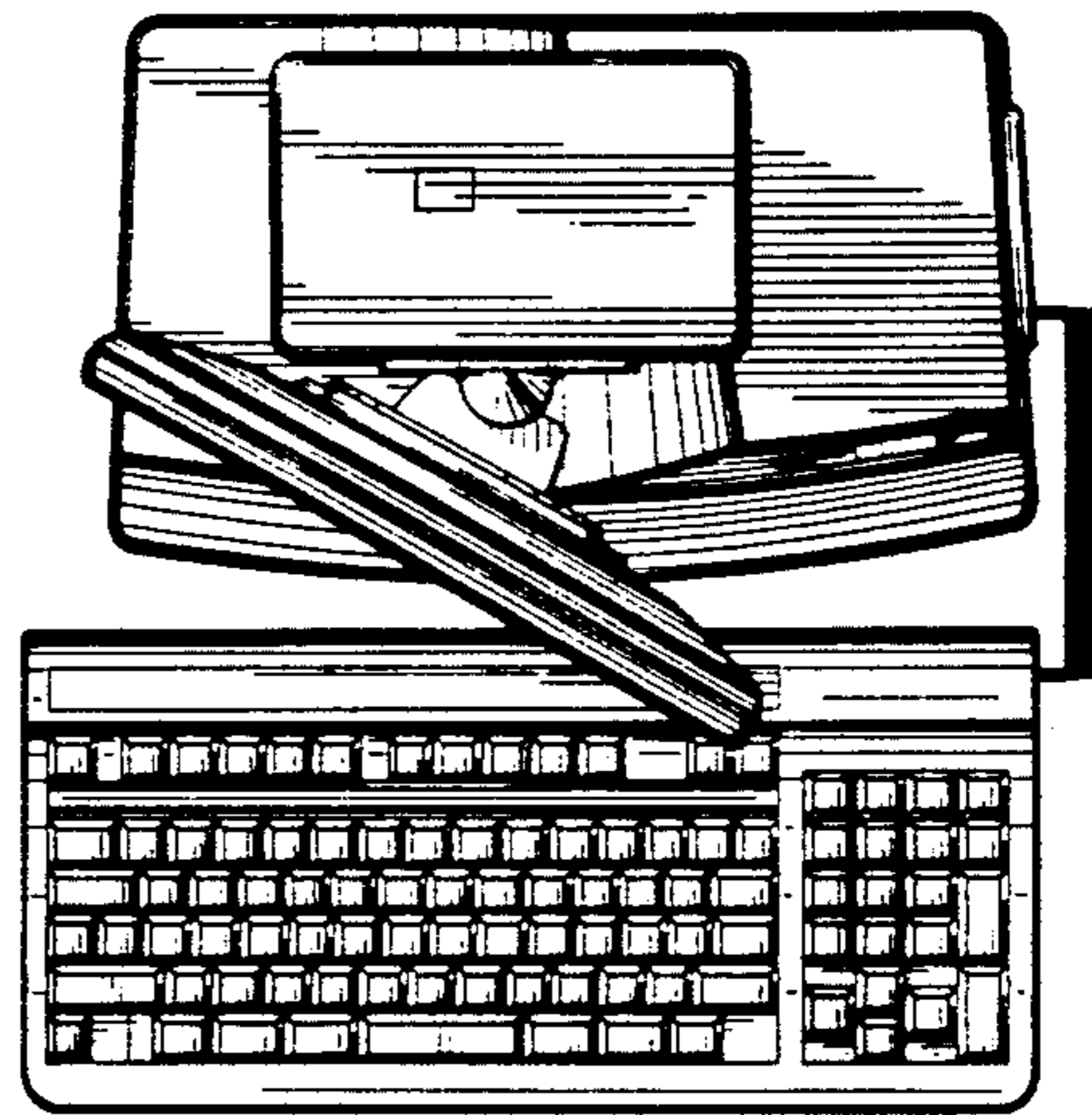
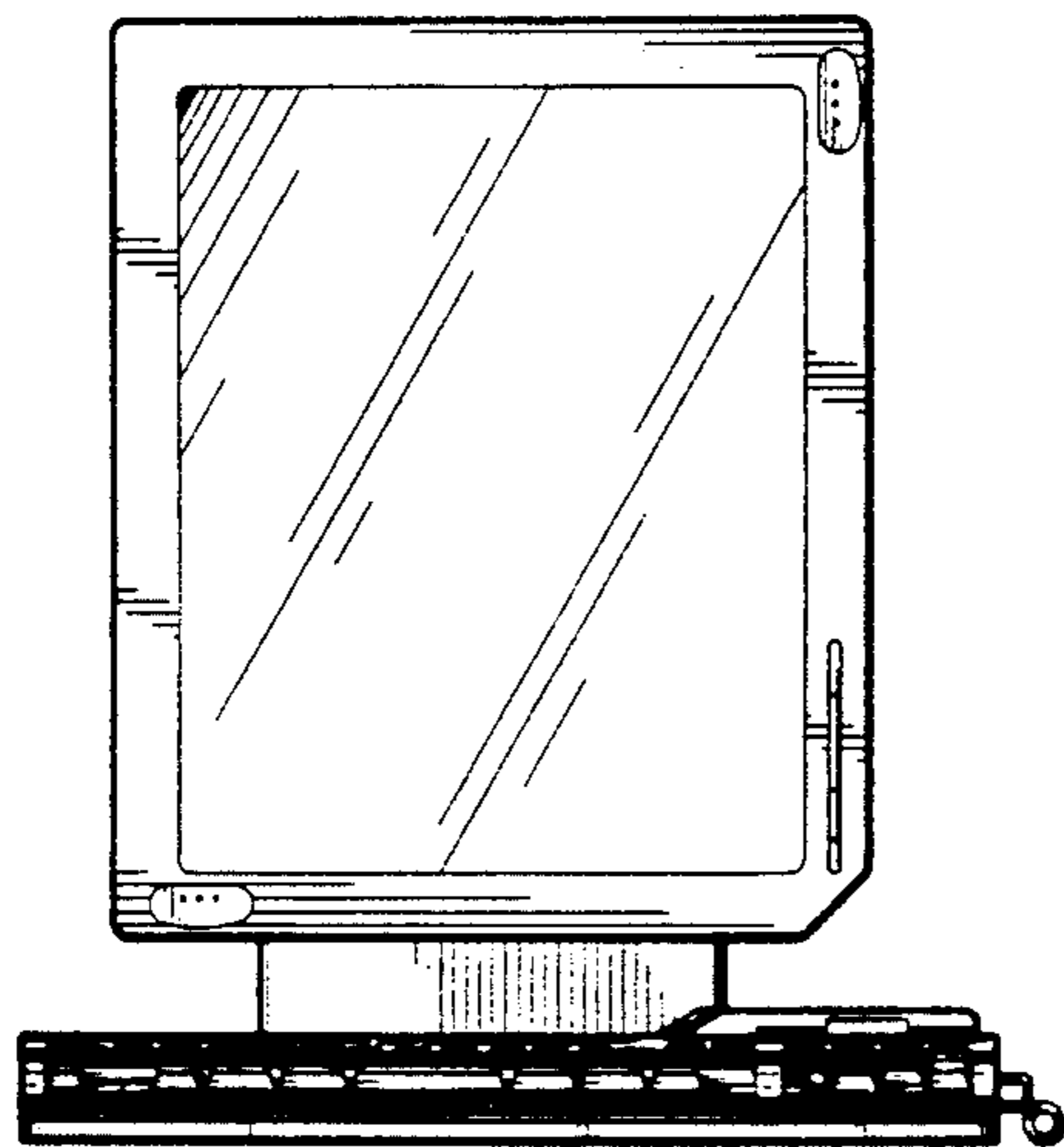


FIG. 1

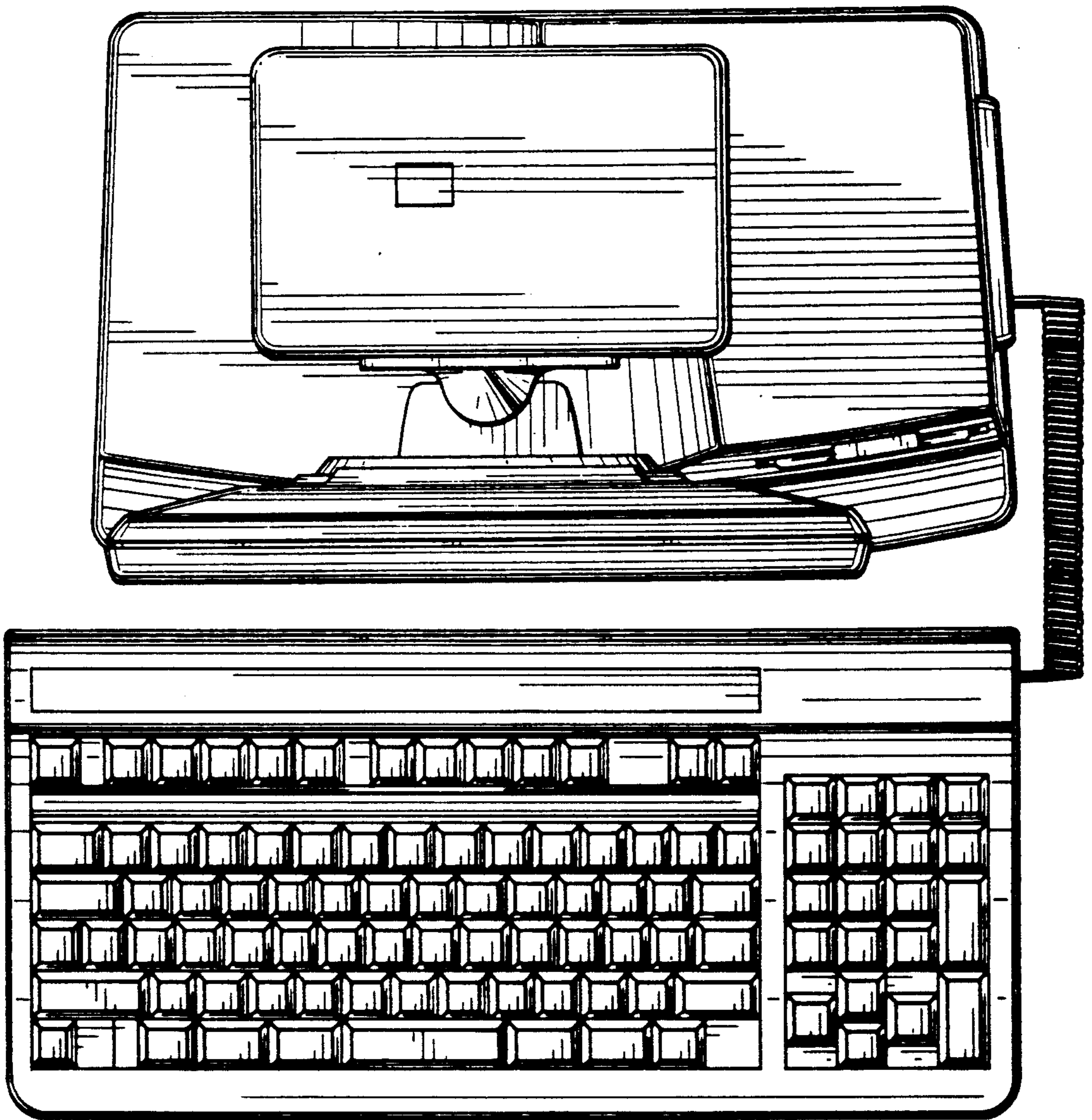


FIG. 2

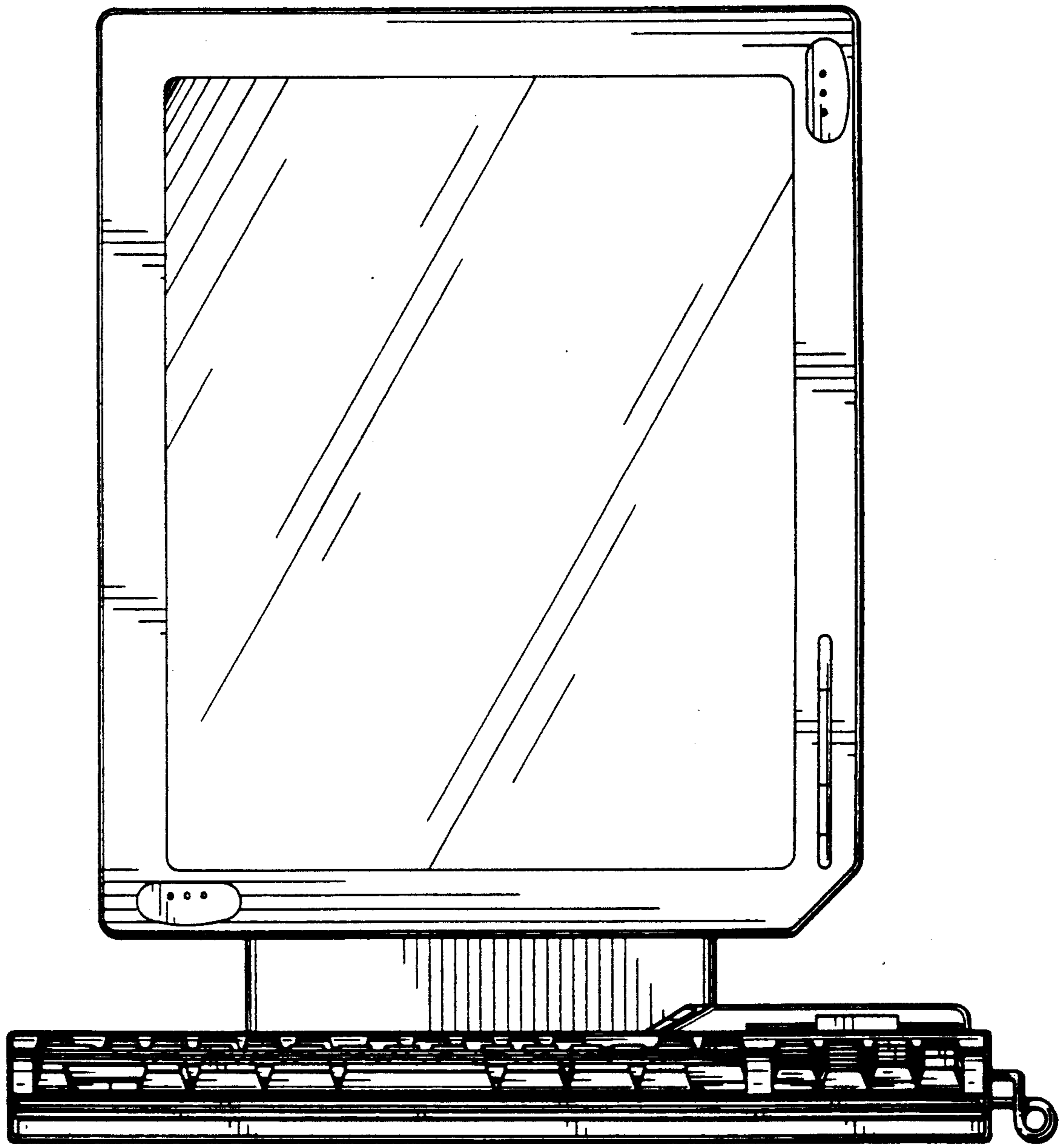


FIG. 3

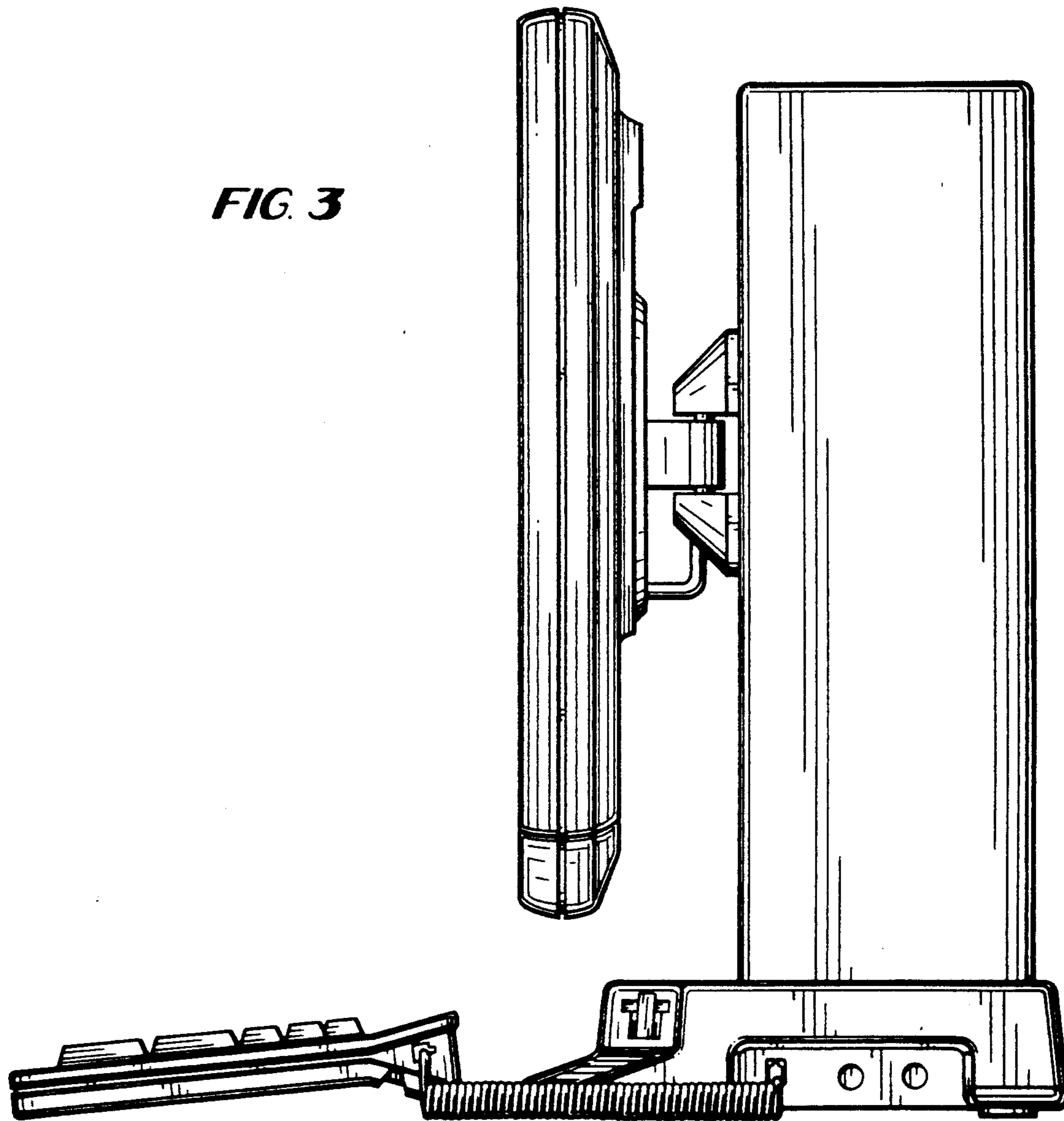
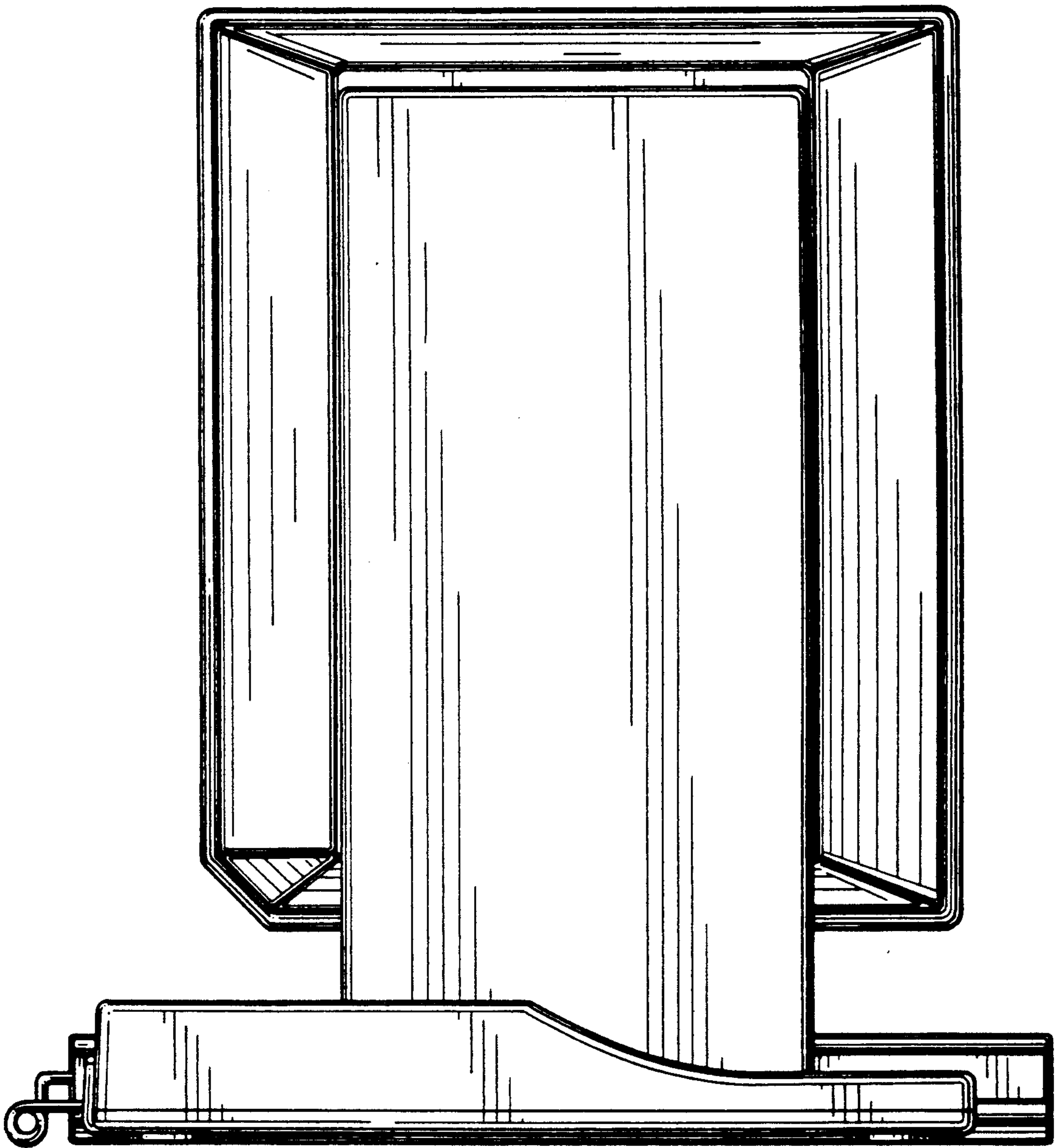


FIG. 4



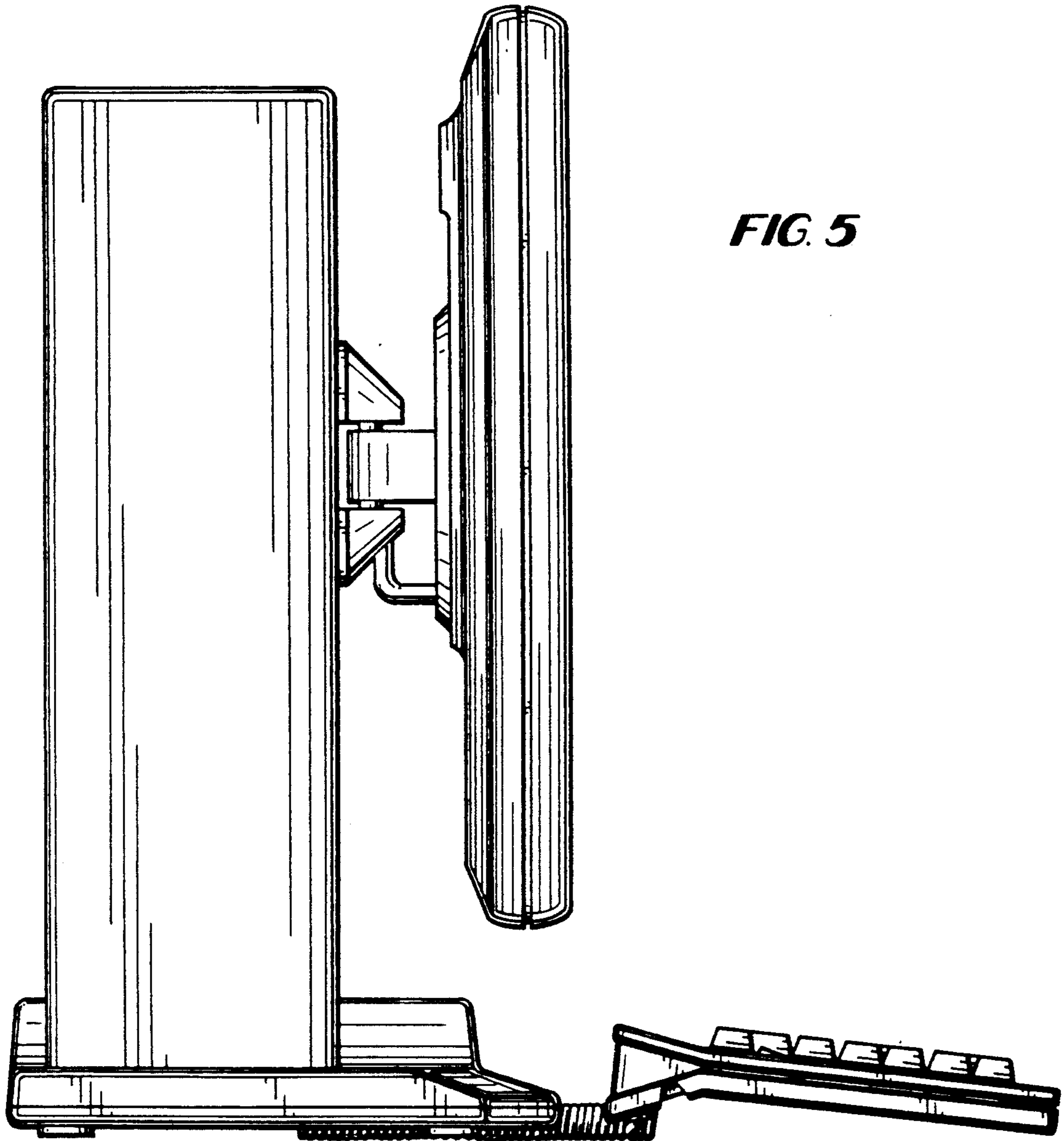


FIG. 5

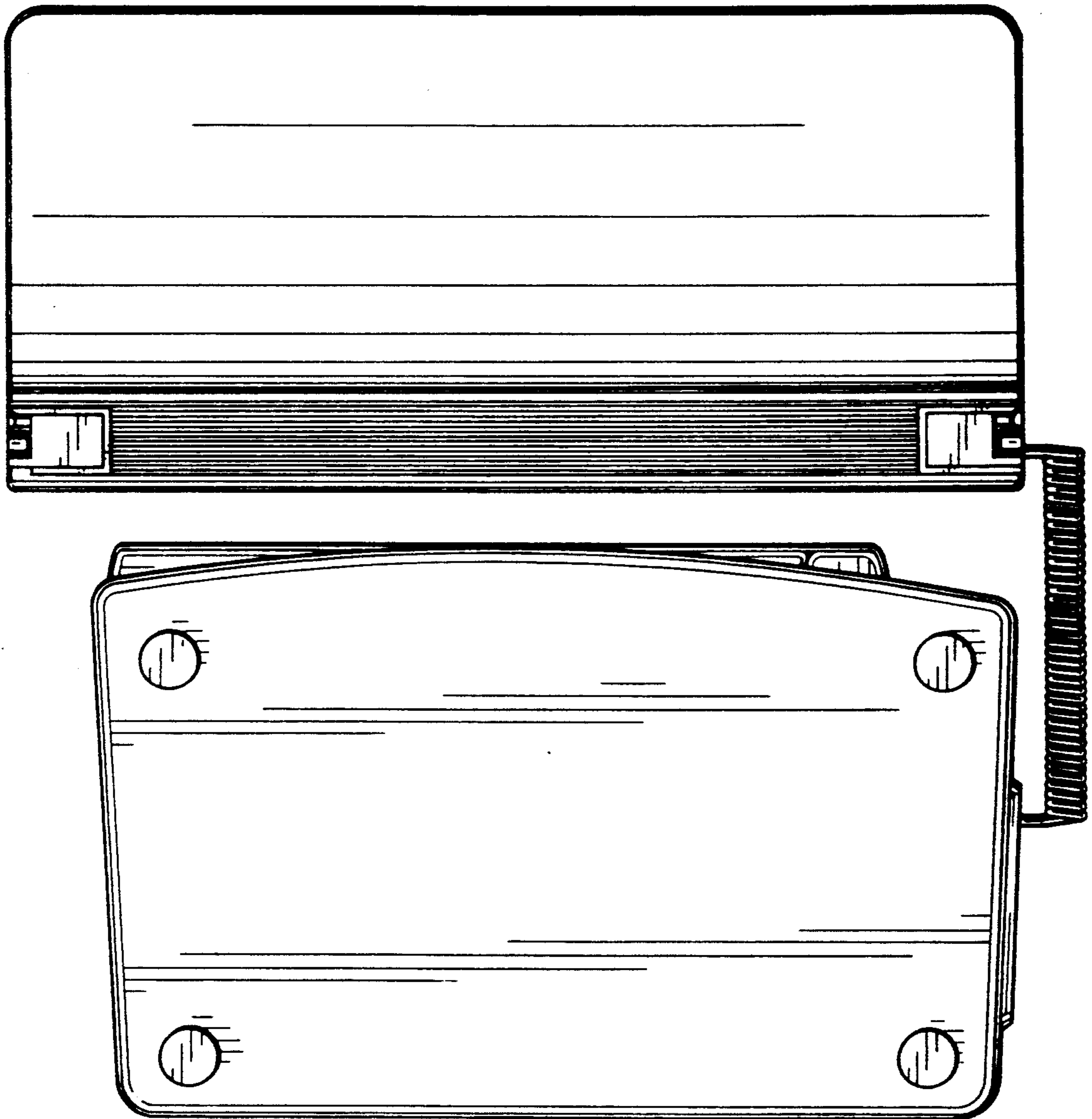


FIG. 6

FIG. 7

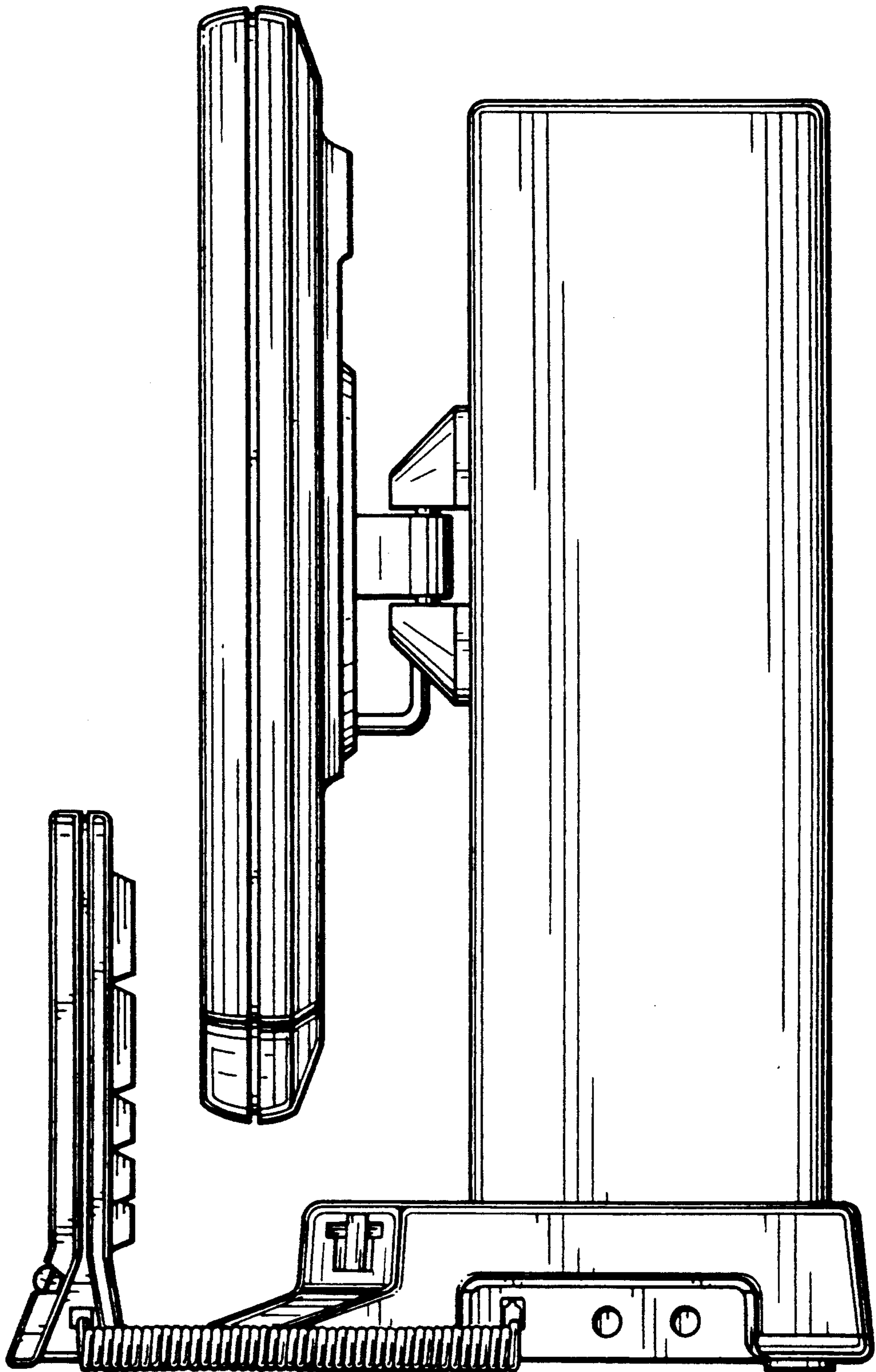


FIG. 8

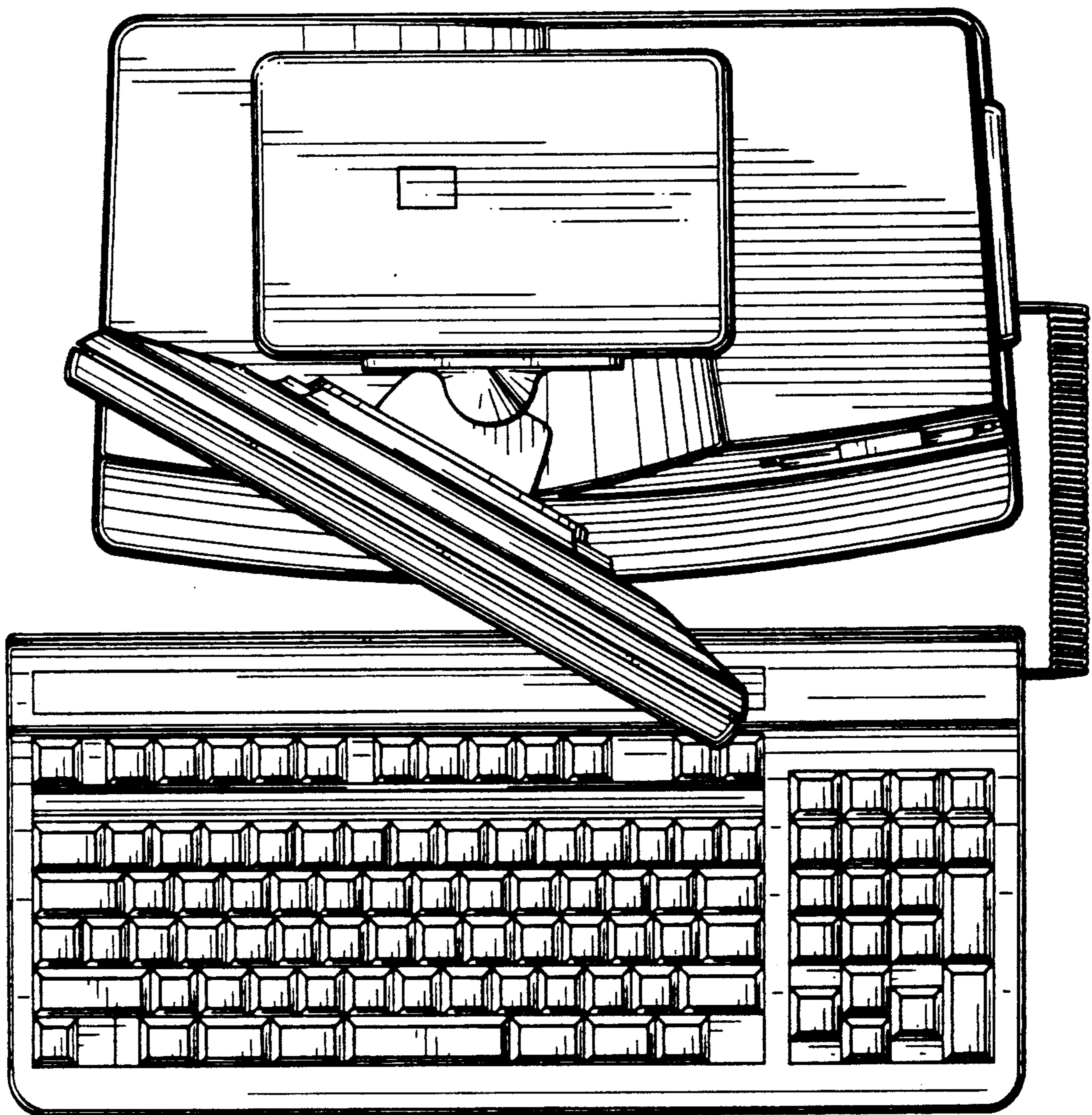


FIG. 9

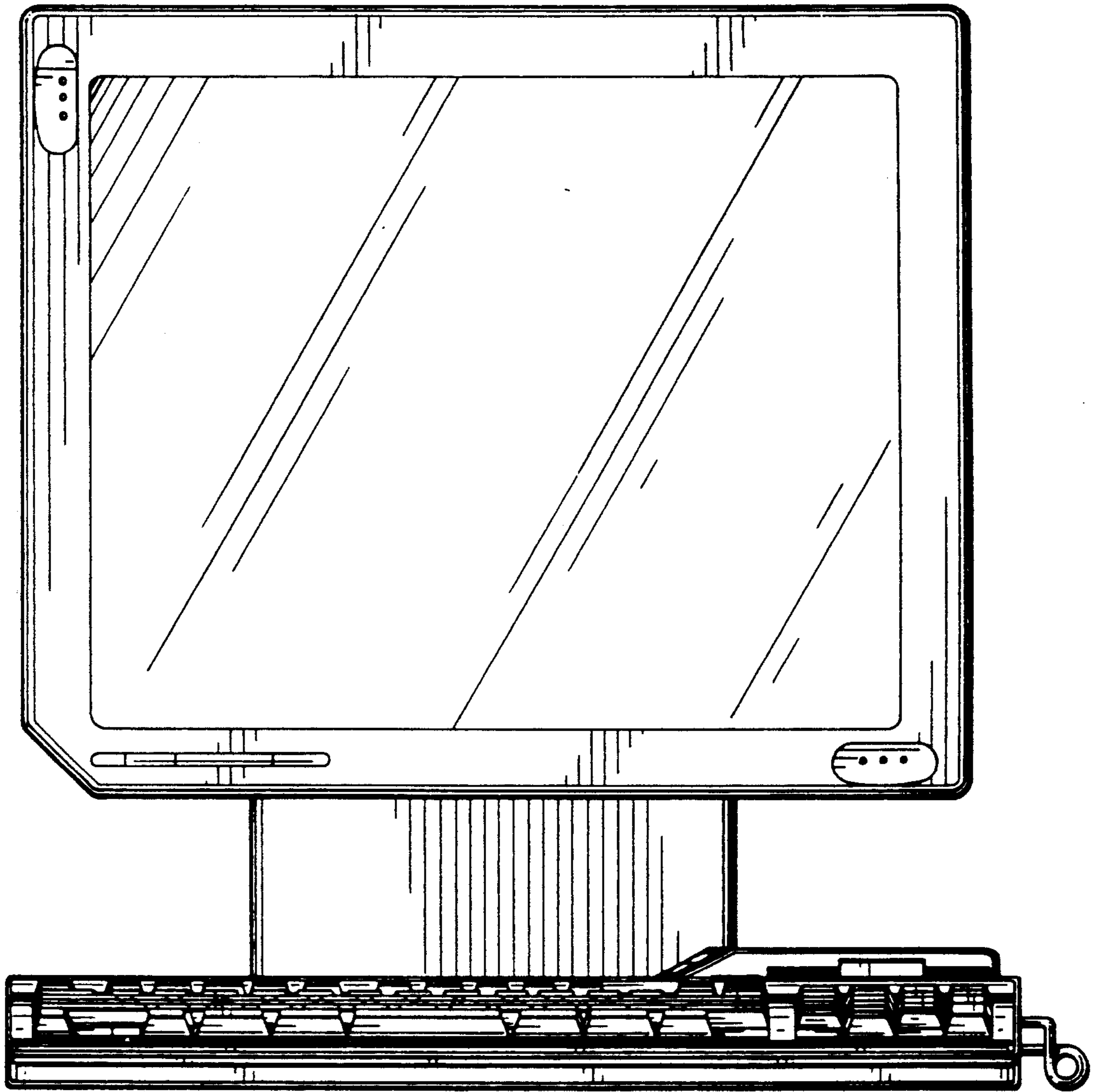


FIG. 10

