



US00D343167S

# United States Patent [19]

[11] Patent Number: **Des. 343,167**

Mizusugi et al.

[45] Date of Patent: **\*\* Jan. 11, 1994**

[54] **COMPUTER**

[75] Inventors: **Kanji Mizusugi, Mie; Kensho Tsuji; Hiroshi Yamamizu**, both of Nara, all of Japan

[73] Assignee: **Sharp Kabushiki Kaisha**, Osaka, Japan

[\*\*] Term: **14 Years**

[21] Appl. No.: **858,146**

[22] Filed: **Mar. 27, 1992**

[30] **Foreign Application Priority Data**

Sep. 27, 1991 [JP] Japan ..... 3-29176

[52] U.S. Cl. .... **D14/106**

[58] Field of Search ..... 235/145 A, 145 R; 340/700, 706; 341/22, 23; 364/708, 709.04; 361/390, 394; D14/100, 101, 106, 113, 115; D18/1, 7, 11, 12

[56] **References Cited**

**U.S. PATENT DOCUMENTS**

- D. 330,016 10/1992 Mizusugi et al. .... D14/106
- D. 331,393 12/1992 Iino ..... D14/106
- D. 332,782 1/1993 Kikuchi et al. .... D14/106
- D. 337,100 7/1993 Iino ..... D14/106

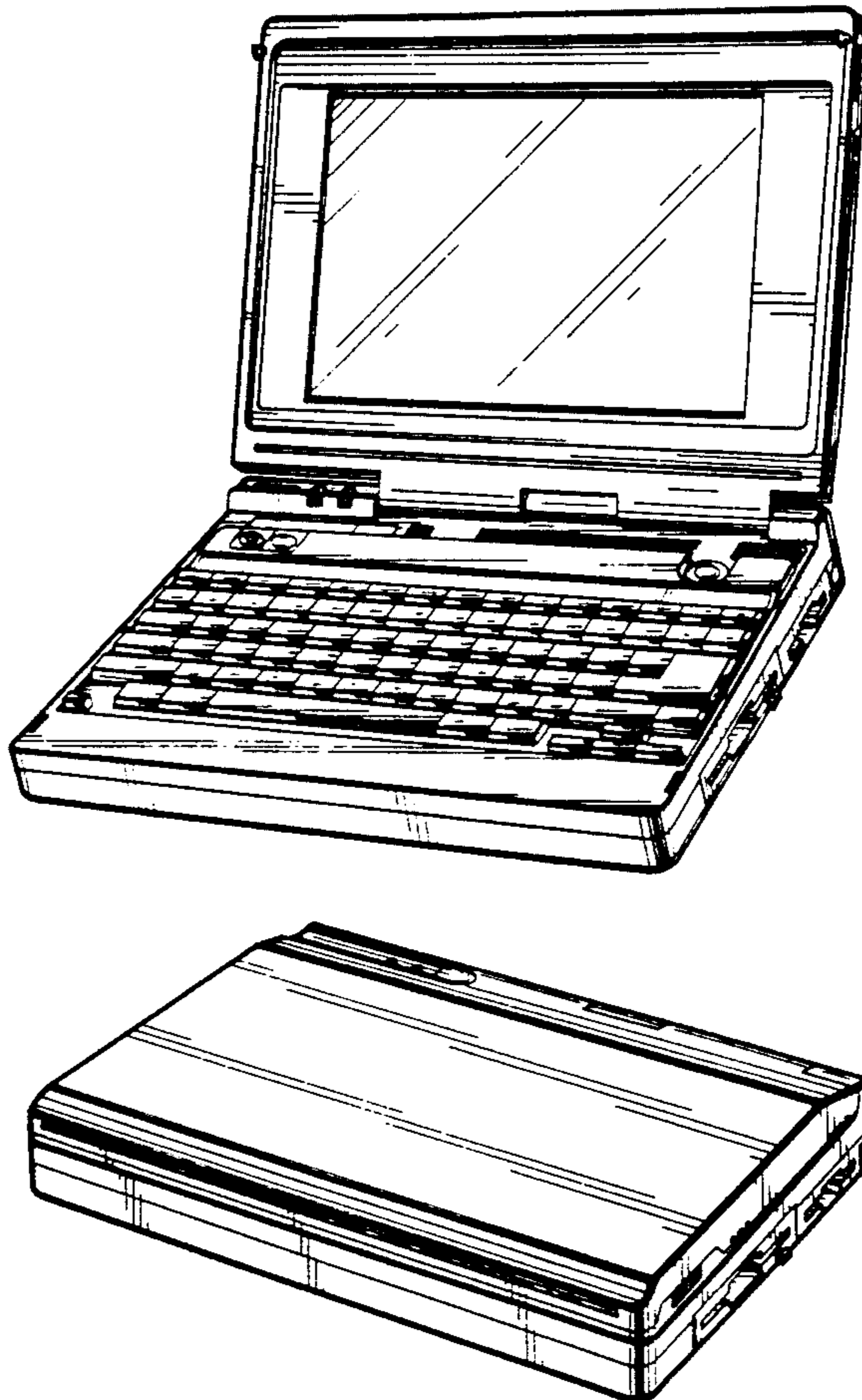
*Primary Examiner*—Wallace R. Burke  
*Assistant Examiner*—Freda S. Nunn  
*Attorney, Agent, or Firm*—Nixon & Vanderhye

[57] **CLAIM**

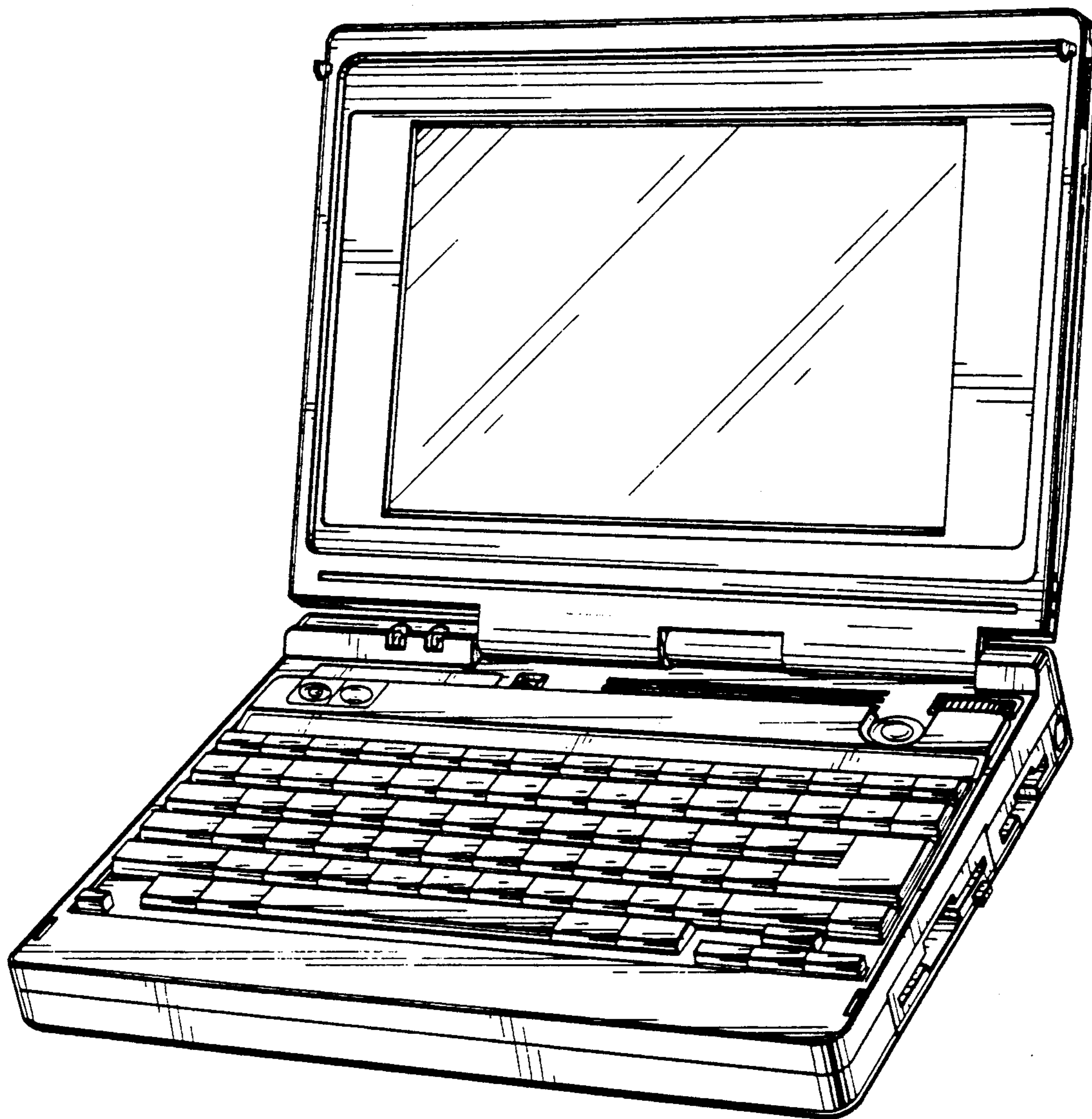
The ornamental design for a computer, as shown and described.

**DESCRIPTION**

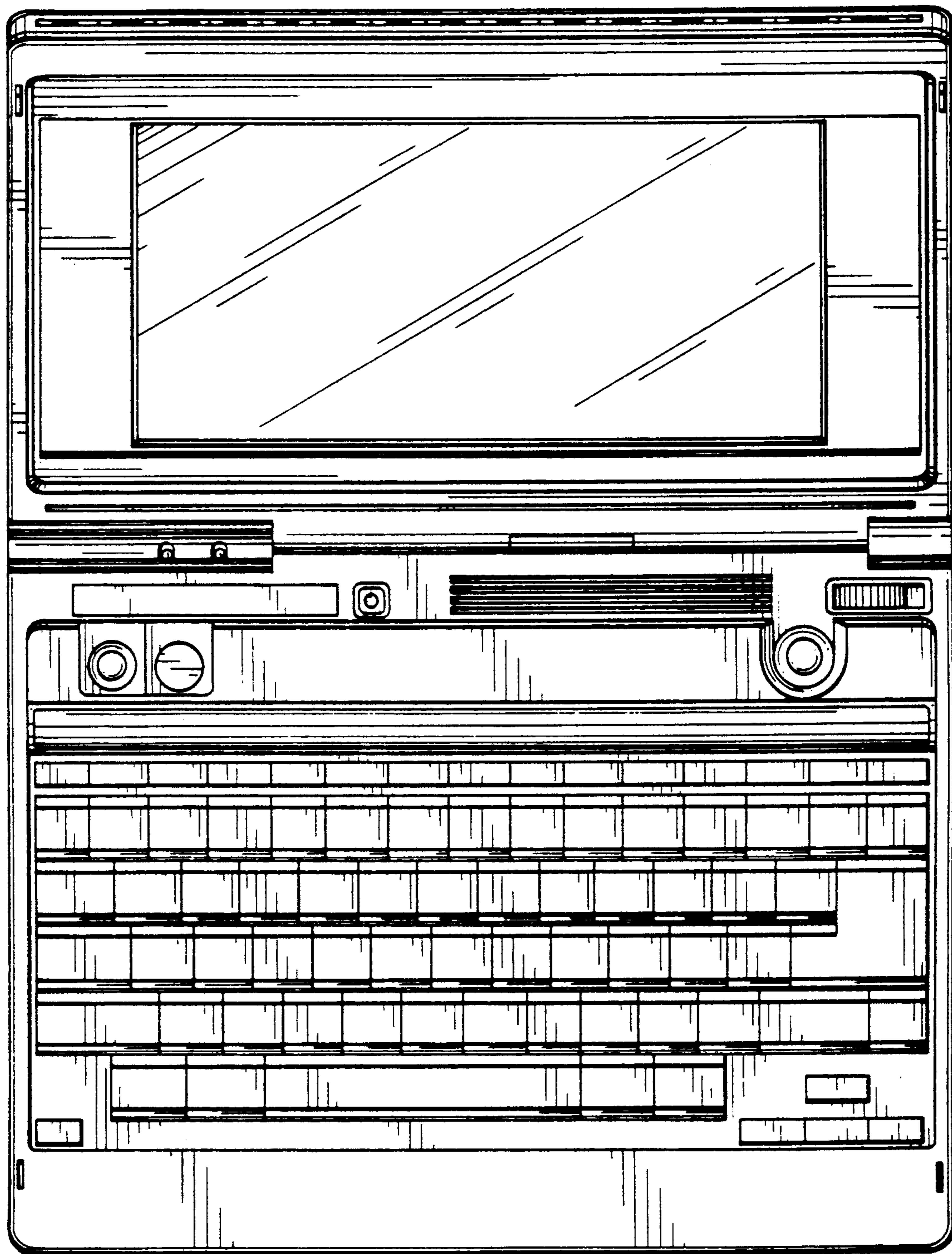
FIG. 1 is a top, front and right side perspective view of a computer according to the present design with the computer screen in an open condition;  
 FIG. 2 is a top plan view thereof;  
 FIG. 3 is a front elevational view thereof;  
 FIG. 4 is a right side elevational view thereof;  
 FIG. 5 is a rear elevational view thereof;  
 FIG. 6 is a left side elevational view thereof;  
 FIG. 7 is a bottom plan view thereof;  
 FIG. 8 is a top, front and right side perspective view of the computer thereof with the display screen in a closed position;  
 FIG. 9 is a top plan view thereof;  
 FIG. 10 is a front elevational view thereof;  
 FIG. 11 is a right side elevational view thereof;  
 FIG. 12 is a rear elevational view thereof;  
 FIG. 13 is a left side elevational view thereof; and,  
 FIG. 14 is a bottom plan view thereof.  
 FIGS. 1 and 8 are drawn on a slightly reduced scale.



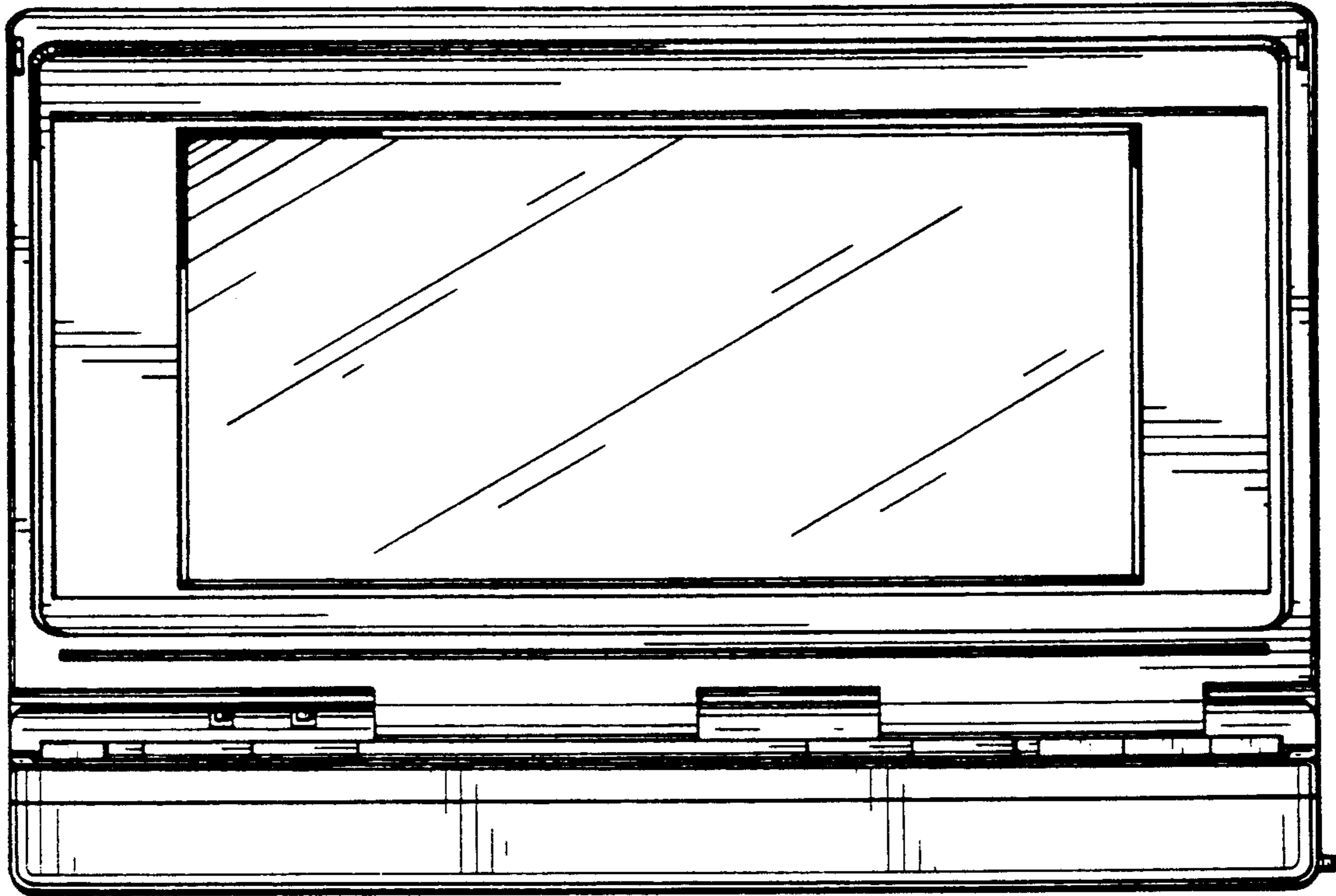
*FIG. 1*



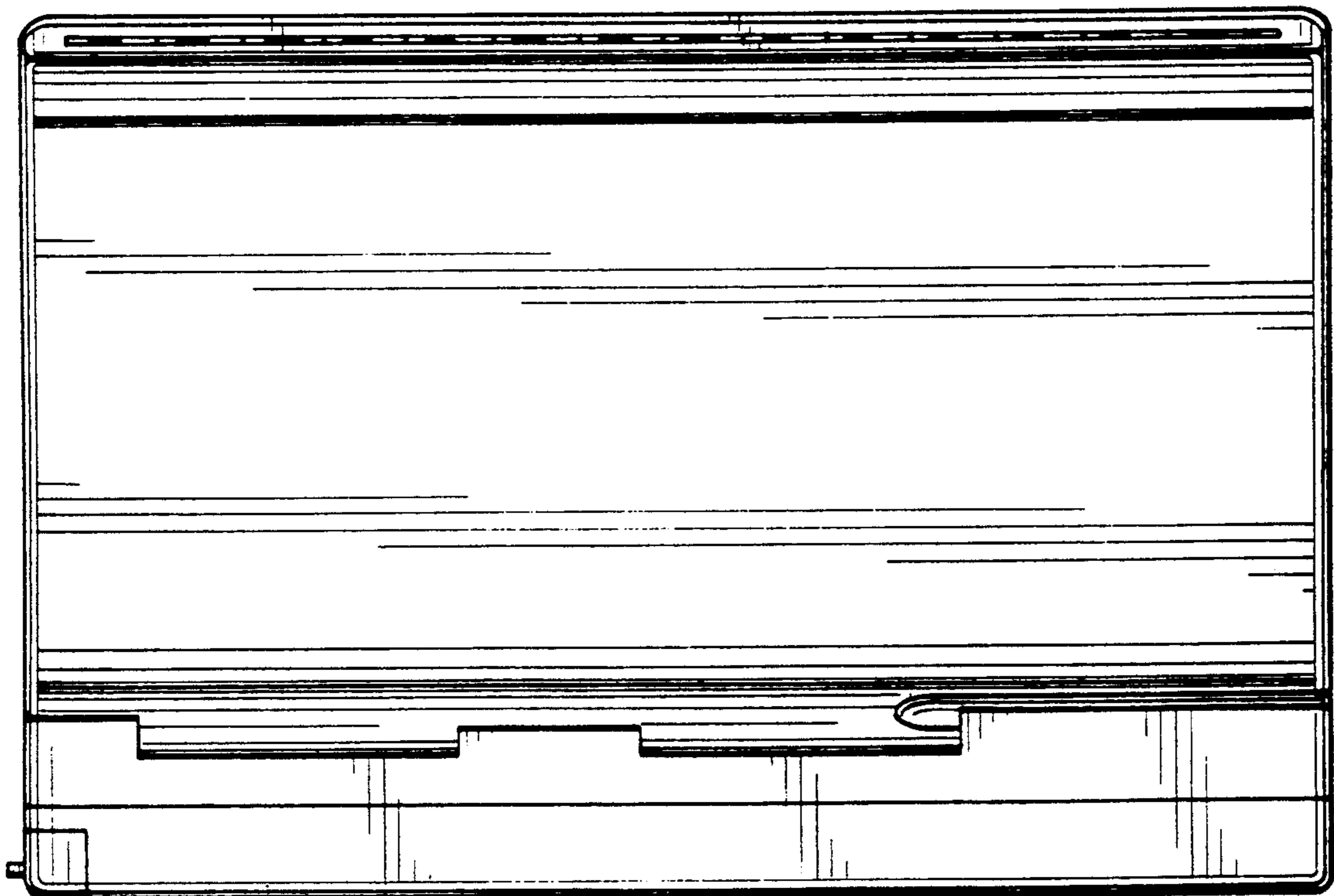
*FIG. 2*

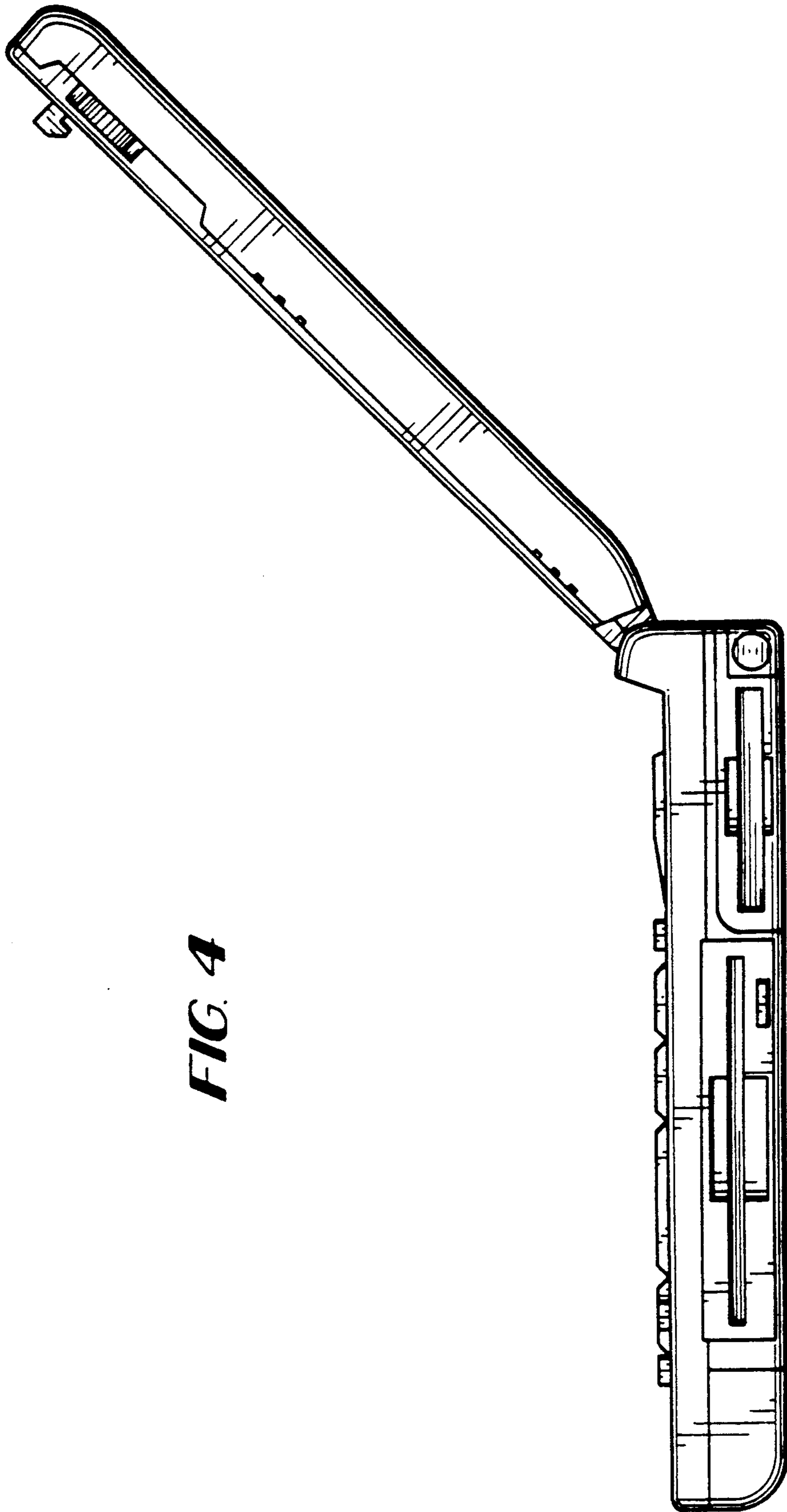


**FIG. 3**



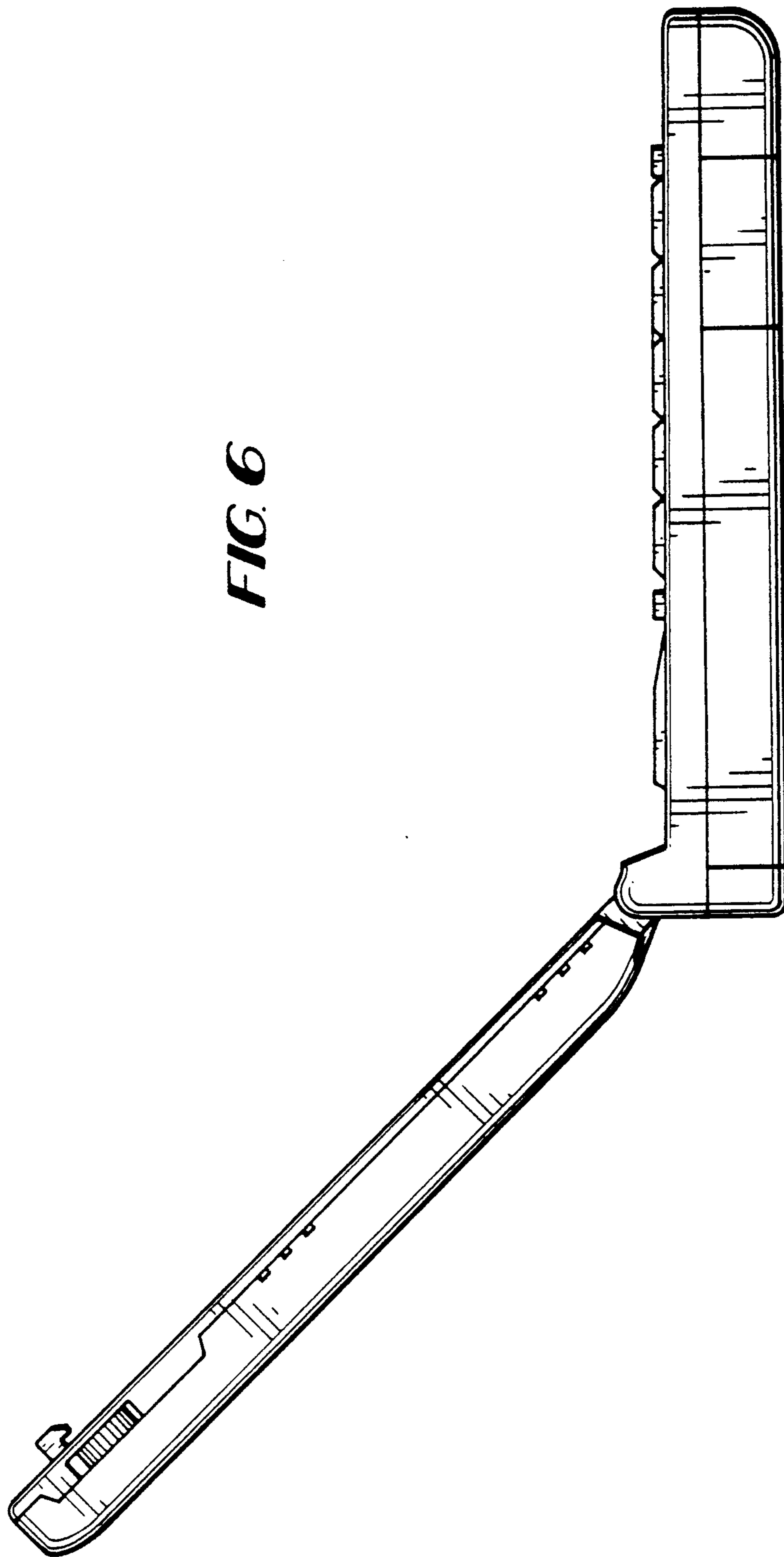
**FIG. 5**

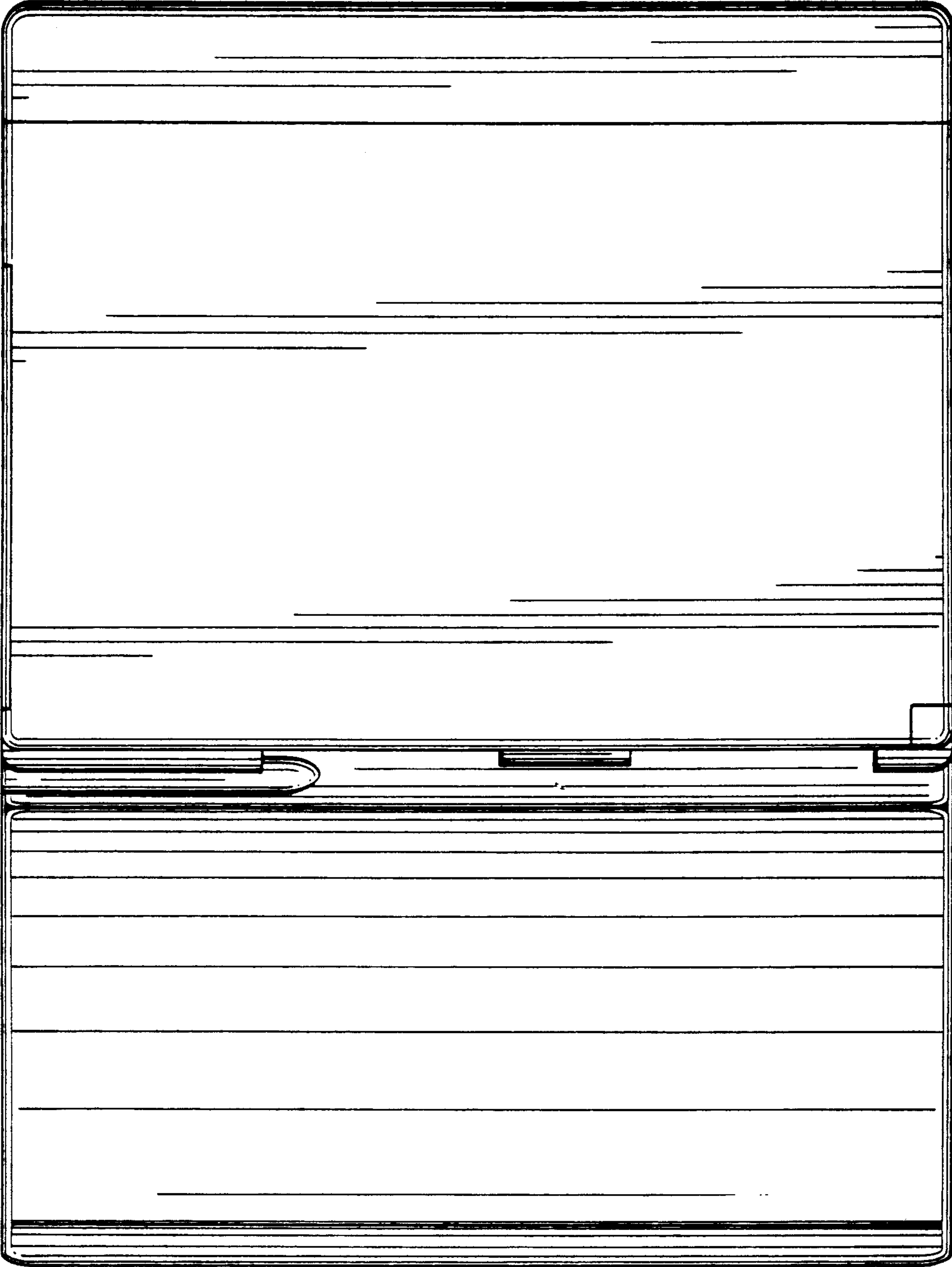




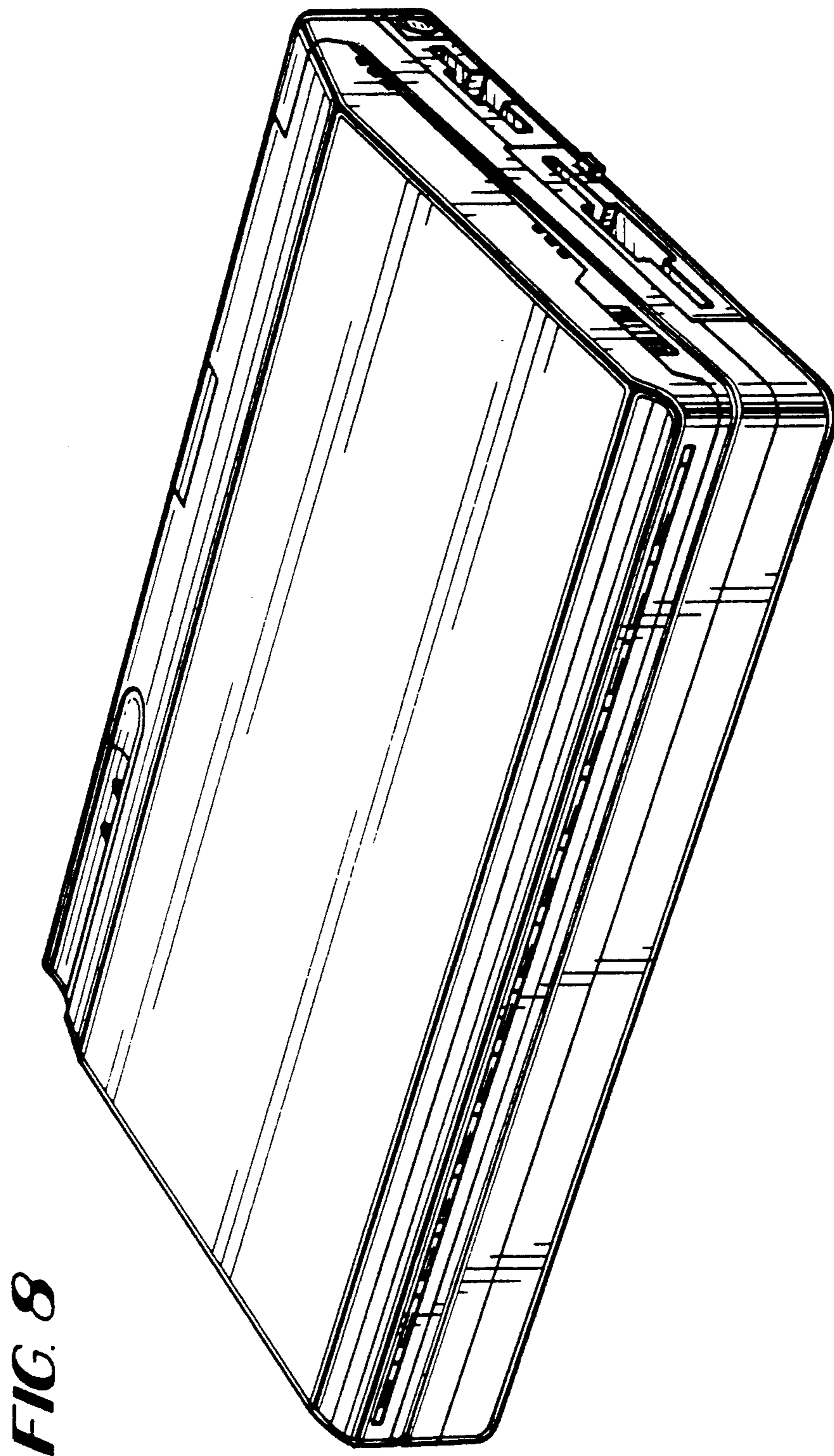
**FIG. 4**

**FIG. 6**



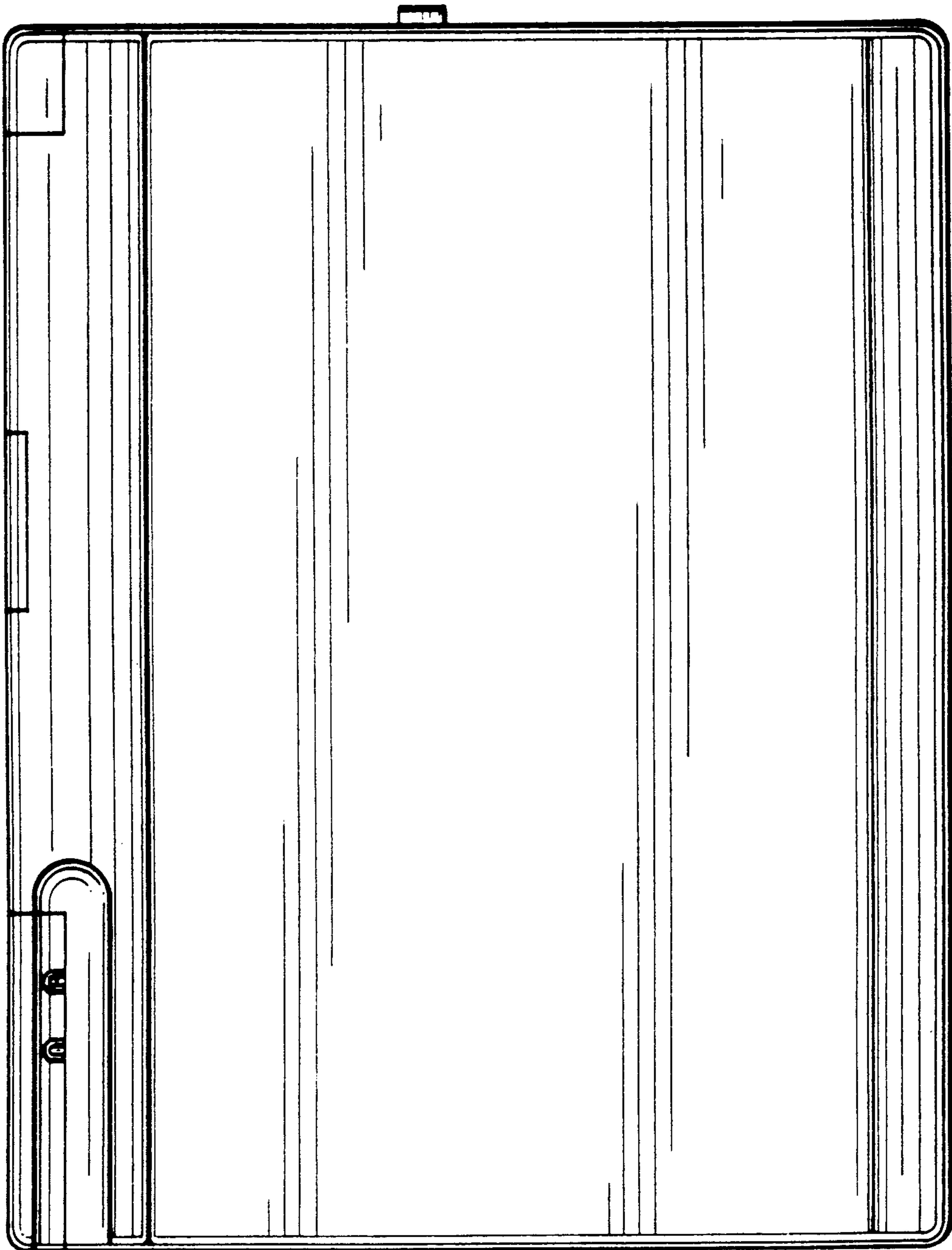


**FIG. 7**

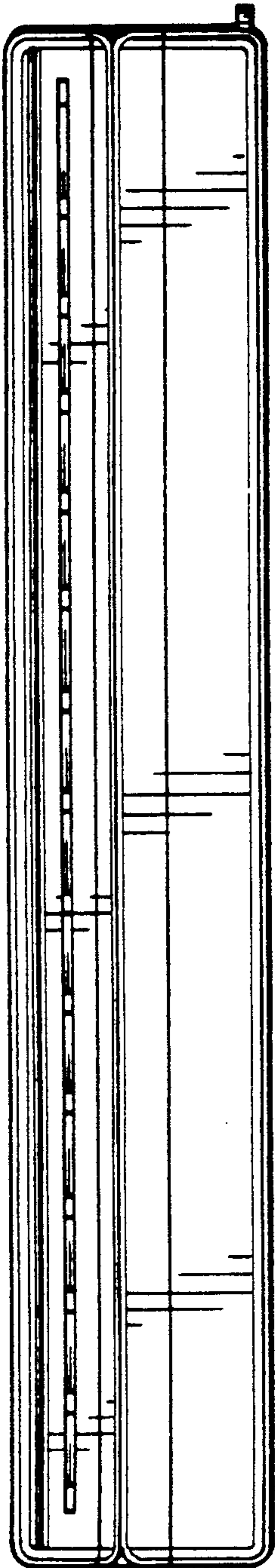




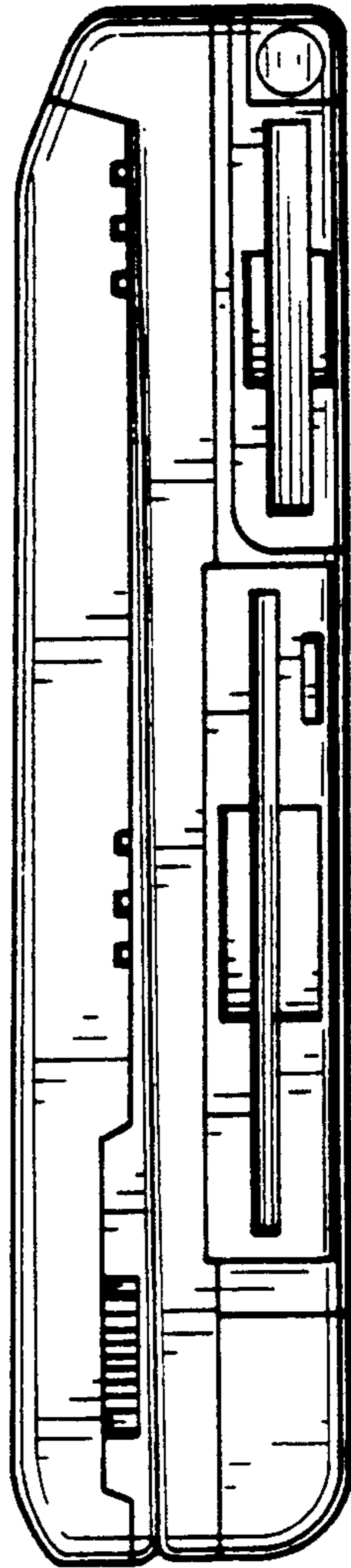
**FIG. 9**



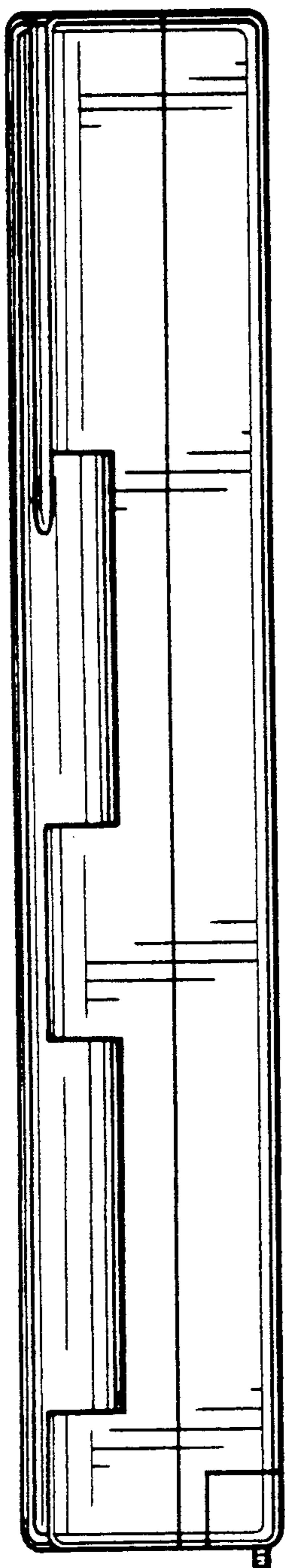
**FIG. 10**



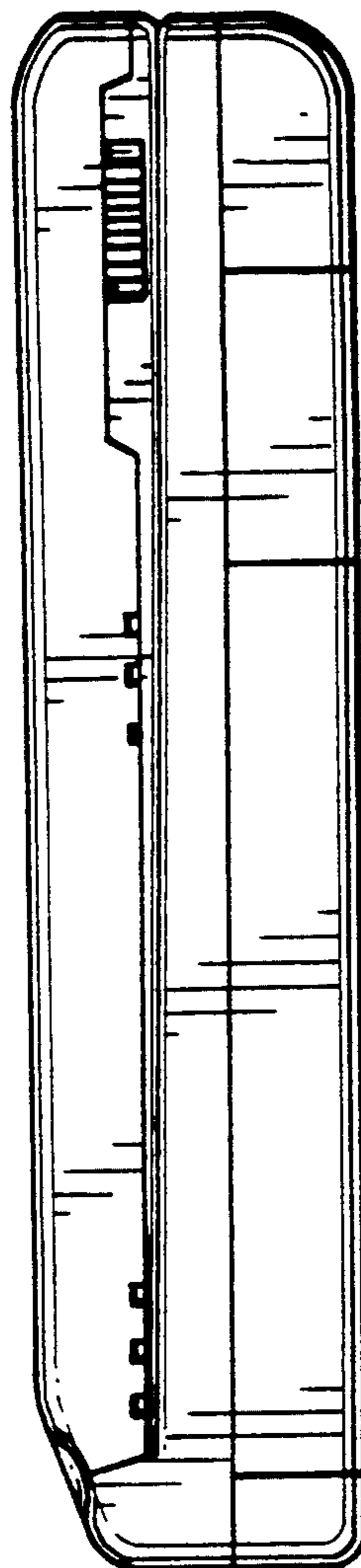
**FIG. 11**



**FIG. 12**



**FIG. 13**



***FIG. 14***

