



US00D343162S

# United States Patent [19]

Bouteiller

[11] Patent Number: **Des. 343,162**

[45] Date of Patent: **\*\* Jan. 11, 1994**

## [54] FRONT PORTION OF AN ELECTRICAL CONTACTOR

[75] Inventor: **Christian Bouteiller, Rueil Malmaison, France**

[73] Assignee: **Telemecanique, France**

[\*\*] Term: **14 Years**

[21] Appl. No.: **829**

[22] Filed: **Jan. 5, 1993**

### Related U.S. Application Data

[63] Continuation of Ser. No. 391,328, Aug. 9, 1989, abandoned.

### [30] Foreign Application Priority Data

Feb. 13, 1989 [FR] France ..... 891003  
[52] U.S. Cl. .... **D13/146**  
[58] Field of Search ..... 355/14, 16, 131-133, 201-202, 170-171, 174, 192, 195; D13/133, 146-147

## [56] References Cited

### U.S. PATENT DOCUMENTS

Re. 26,172	3/1967	Scheib, Jr. ....	335/131
D. 216,888	3/1970	Kunkle .....	D13/147
D. 300,819	4/1989	Orbanie .....	D13/147
2,907,847	10/1959	Grenier et al. ....	335/131 X
3,215,800	11/1965	Hurter et al. ....	335/131
3,334,319	8/1967	Herrmann et al. ....	335/131
3,800,251	3/1974	Usui et al. ....	335/131
4,827,234	5/1989	Weiser et al. ....	335/132 X
4,945,328	7/1990	Kinney et al. ....	335/131 X

### OTHER PUBLICATIONS

Elektrotechnische Zeitschrift, p. 761, Jul. 1985.  
"Design News" Motor Circuit Protector, p. 117, Jul. 18, 1988.

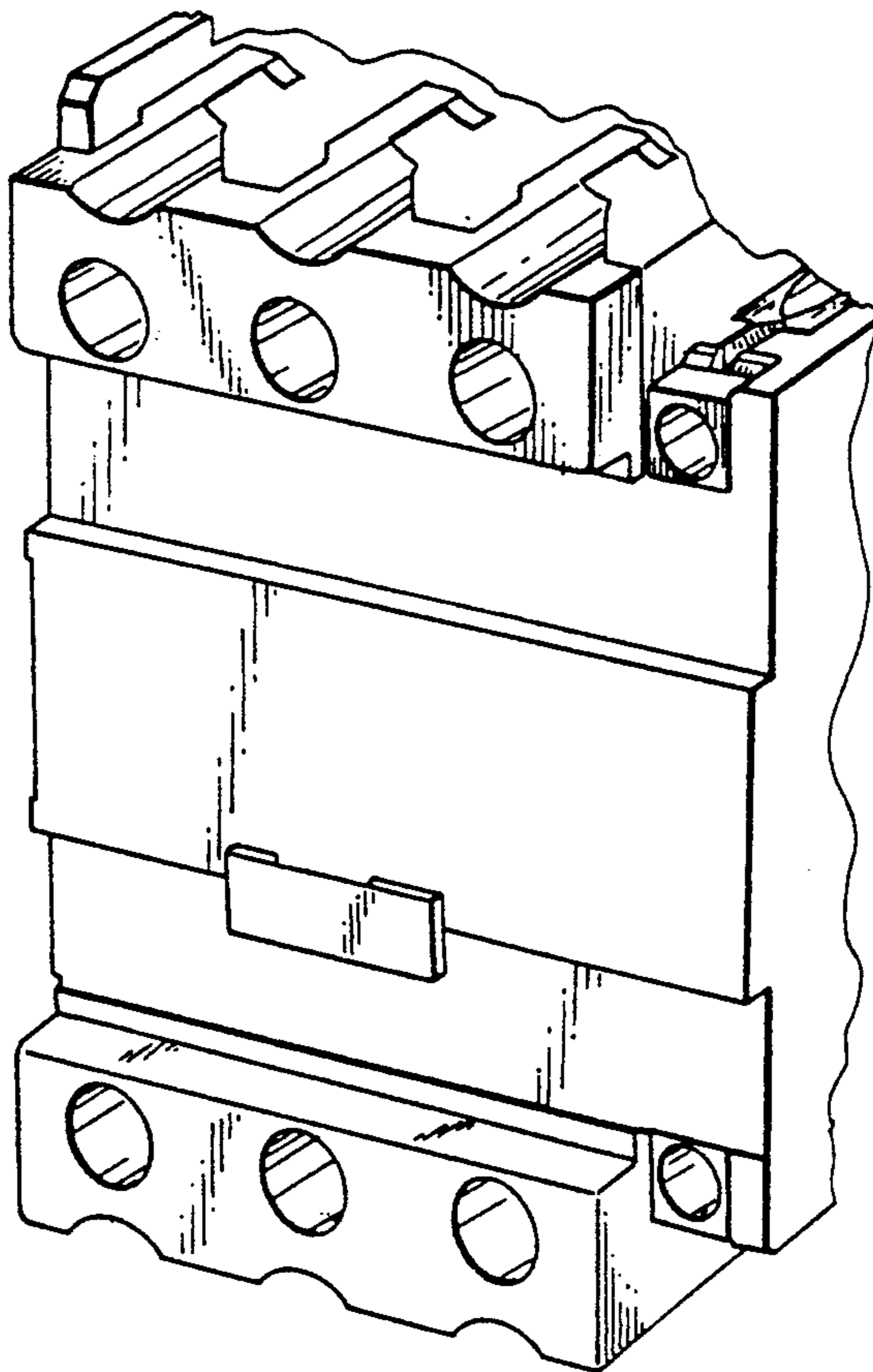
*Primary Examiner*—Wallace R. Burke  
*Assistant Examiner*—M. H. Tung  
*Attorney, Agent, or Firm*—William A. Drucker

## [57] CLAIM

The ornamental design for a front portion of an electrical contactor, as shown.

## DESCRIPTION

FIG. 1 is a perspective view of a front portion of an electrical contactor showing my new design; and, FIG. 2 is a front elevational view thereof.



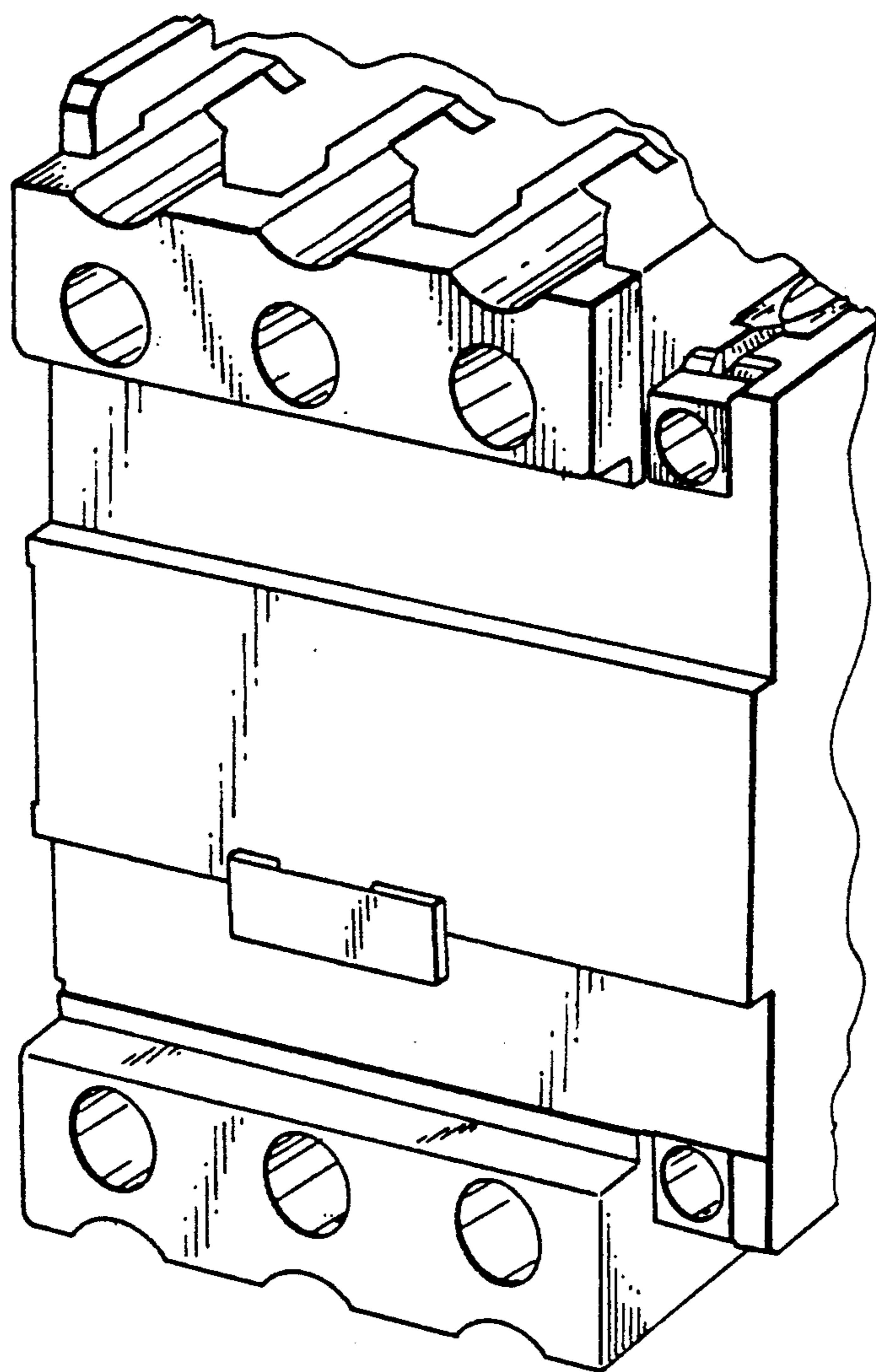


FIGURE 1

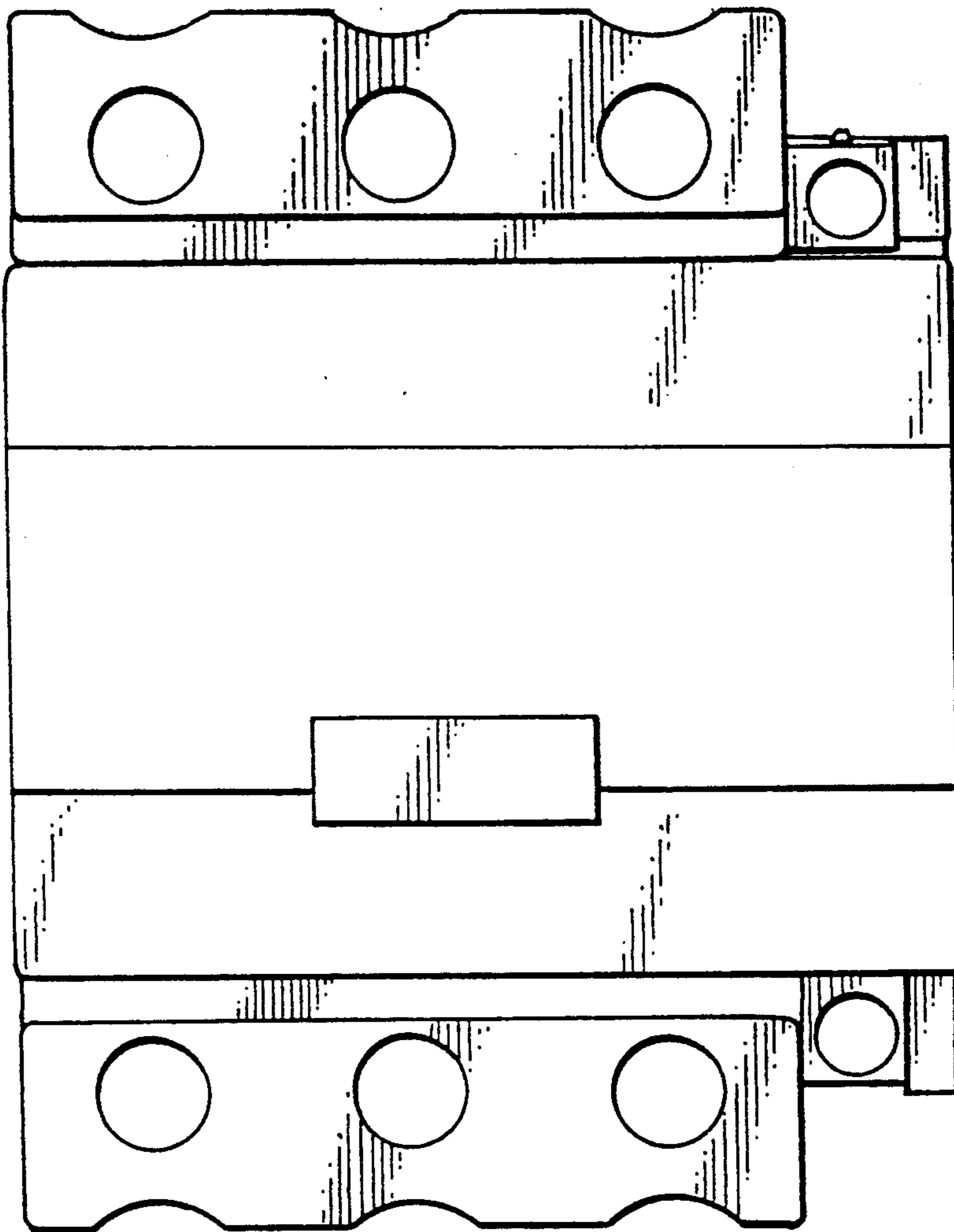


FIGURE 2