



US00D343159S

# United States Patent [19]

[11] Patent Number: **Des. 343,159**

Hunter

[45] Date of Patent: **\*\* Jan. 11, 1994**

[54] **VEHICLE ROOF MOUNTED COMBINED SPARE TIRE STORAGE CONTAINER AND WIND DEFLECTOR**

*Primary Examiner*—James M. Gandy  
*Attorney, Agent, or Firm*—Kenneth D. Baugh

[76] Inventor: **Tommie L. Hunter, 5432 Marcus, Houston, Tex. 77026**

[57] **CLAIM**

[\*\*] Term: **14 Years**

The ornamental design for a vehicle roof mounted combined spare tire storage container and wind deflector, as shown and described.

[21] Appl. No.: **806,756**

**DESCRIPTION**

[22] Filed: **Dec. 16, 1991**

[52] U.S. Cl. .... **D12/202; D12/157; D12/181**

[58] Field of Search ..... **296/37.6, 37.7, 180.1, 296/180.2, 91; 224/309, 316, 328, 42.42, 42.2; D12/157, 181, 202**

FIG. 1 is a perspective view of the top, rear and one side of a vehicle roof mounted combined spare tire storage container and wind deflector showing my new design in position of use on a pickup truck which is fragmentarily shown in broken lines for illustrative purposes only forms no part of the claimed design it being understood that the opposite side of the design is a mirror image of that shown;

[56] **References Cited**

**U.S. PATENT DOCUMENTS**

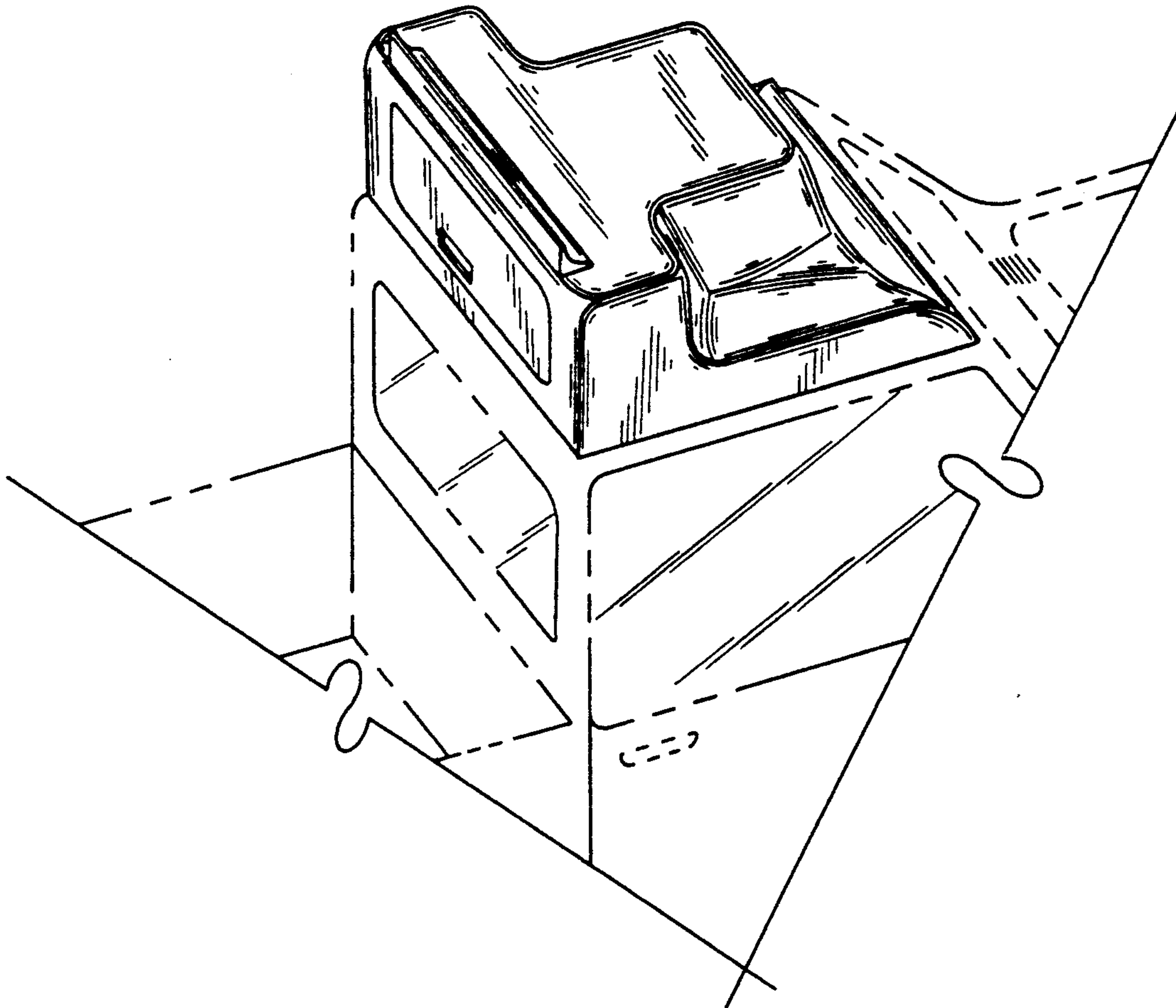
D. 272,058 1/1984 Kangas ..... D12/96  
D. 306,571 3/1990 Mount ..... D12/157

FIG. 2 is a front elevation view of the vehicle roof mounted combined spare tire storage container and wind deflector; and,

**FOREIGN PATENT DOCUMENTS**

2467738 5/1981 France ..... 224/316

FIG. 3 is a top plan view of the vehicle roof mounted combined spare tire storage container and wind deflector.



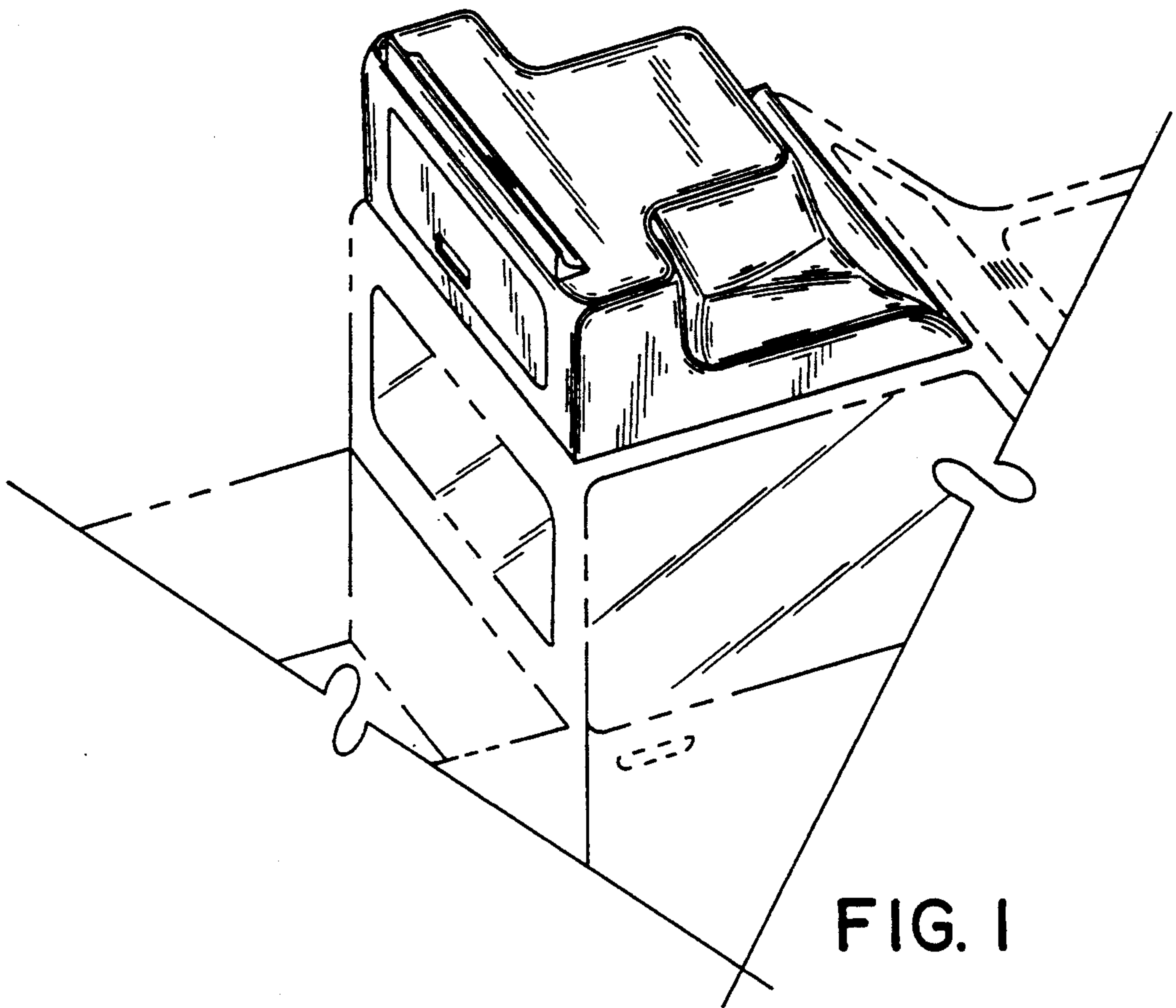


FIG. 1

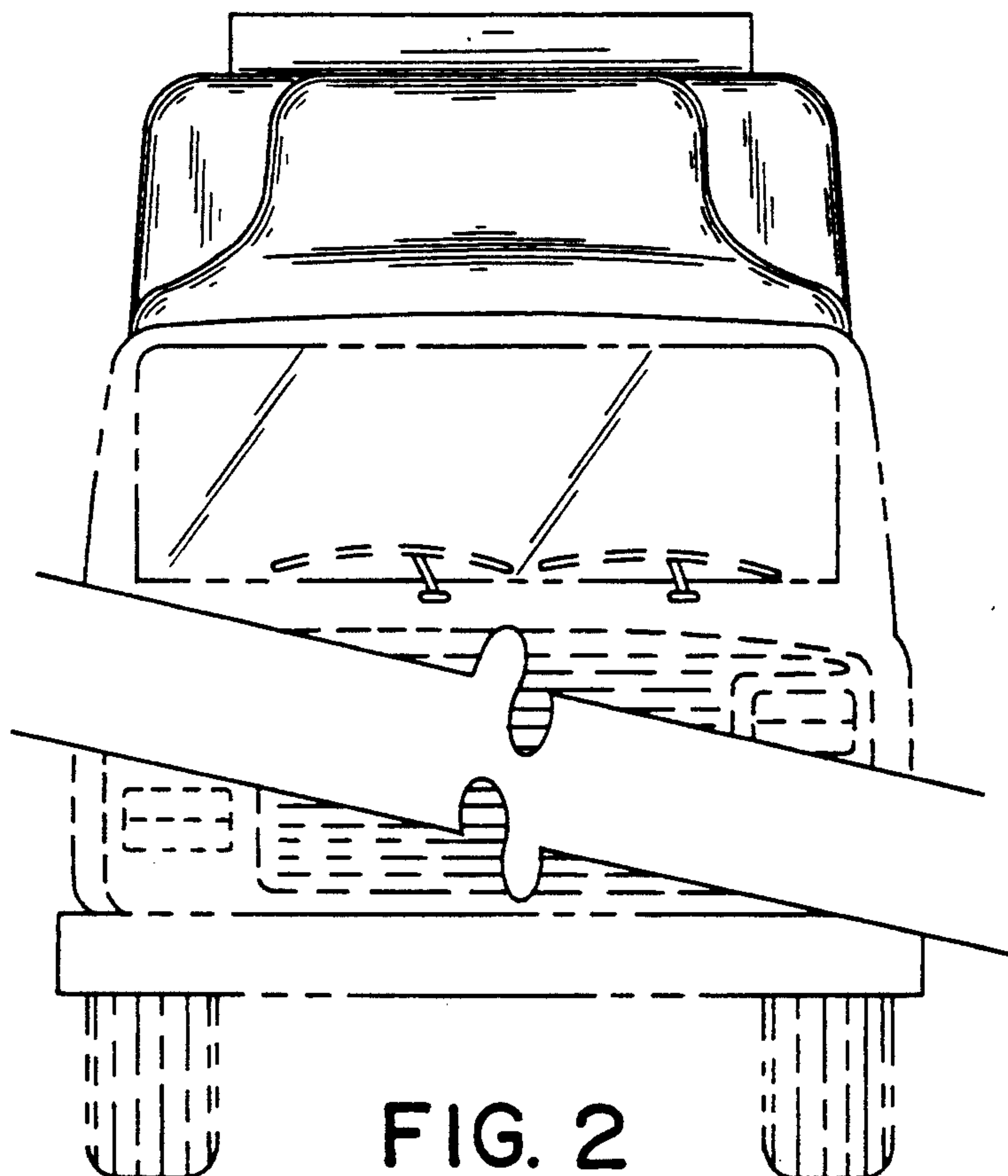


FIG. 2

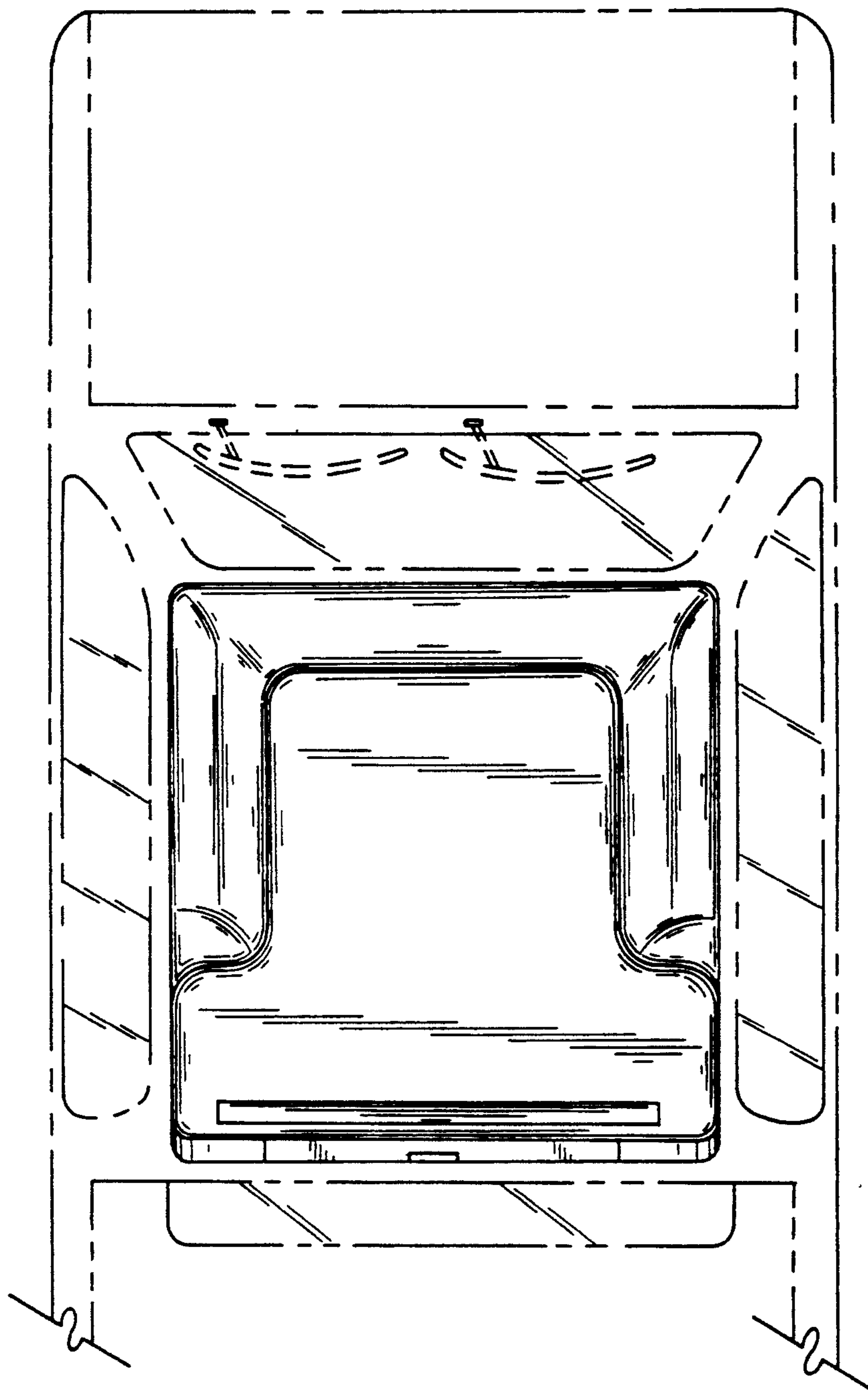


FIG. 3