



US00D343154S

**United States Patent** [19]  
**Allen**

[11] **Patent Number: Des. 343,154**

[45] **Date of Patent: \*\* Jan. 11, 1994**

[54] **STEERING WHEEL ASSEMBLY WITH COMMUNICATION KEYBOARD**

[76] **Inventor: Dillis V. Allen, 1080 Neerge Rd., Ste. 205, Elk Grove Village, Ill. 60007**

[\*\*] **Term: 14 Years**

[21] **Appl. No.: 702,717**

[22] **Filed: May 20, 1991**

[52] **U.S. Cl. .... D12/176**

[58] **Field of Search ..... 74/552, 484 R; D12/175, D12/176**

[56] **References Cited**

**U.S. PATENT DOCUMENTS**

4,625,578	12/1986	Nishijima	74/552
4,655,308	4/1987	Kraus et al.	74/552
4,946,194	8/1990	Maeda et al.	74/552

**FOREIGN PATENT DOCUMENTS**

3018247 11/1981 Fed. Rep. of Germany .... 74/484 R  
1-71381 7/1990 Japan ..... 74/552

*Primary Examiner*—James M. Gandy

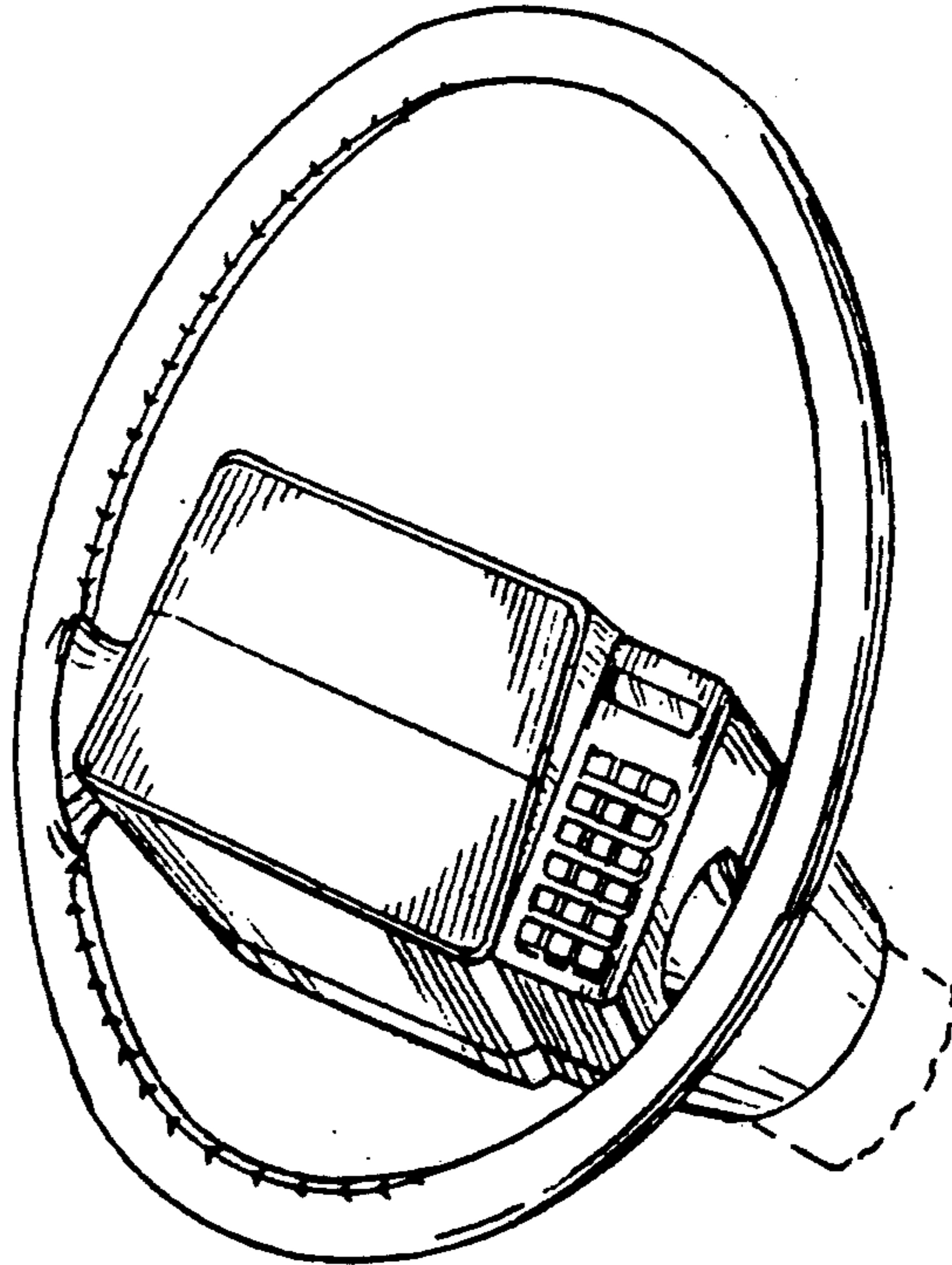
[57] **CLAIM**

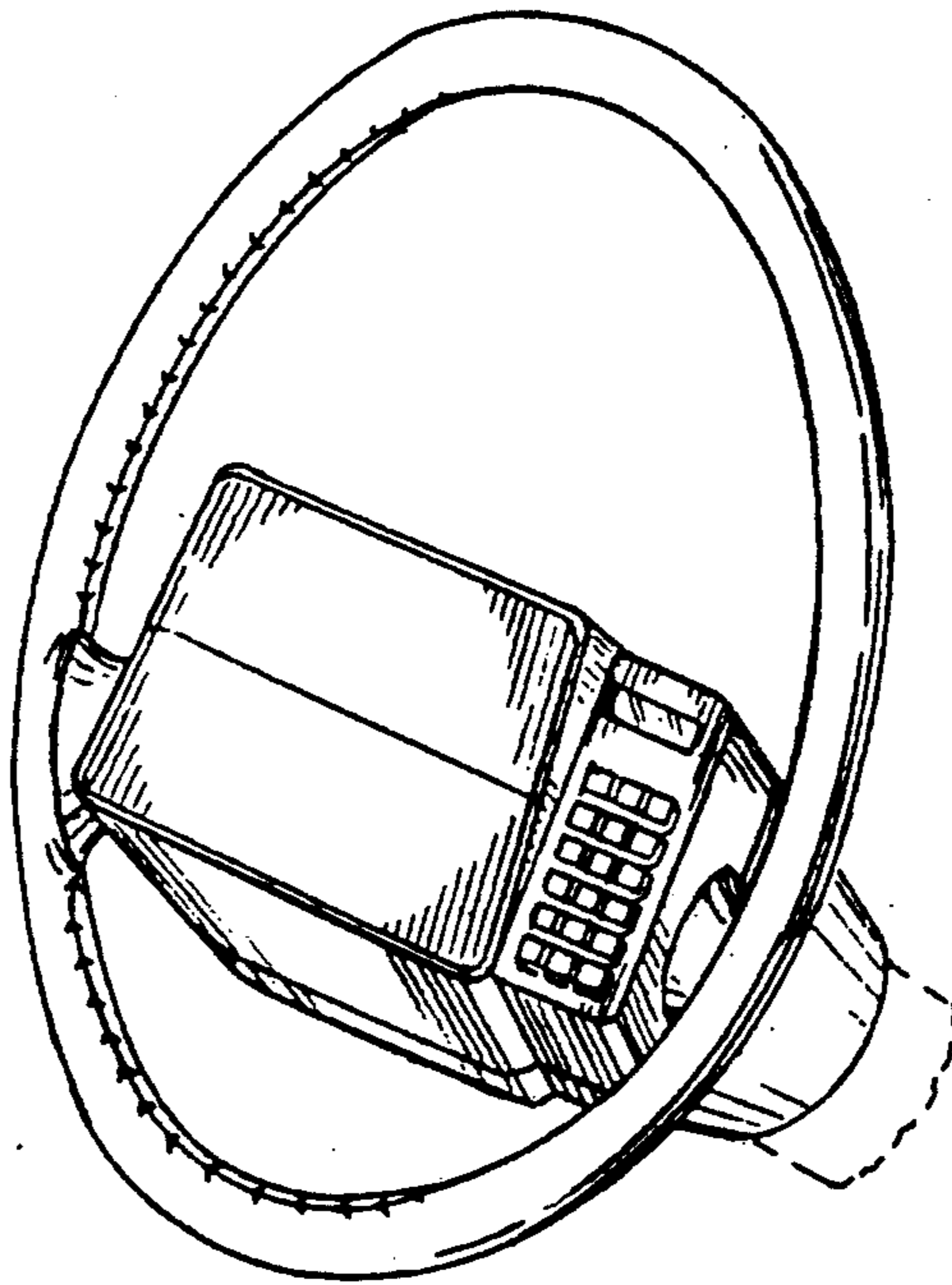
The ornamental design for a steering wheel assembly with communication keyboard, as shown and described.

**DESCRIPTION**

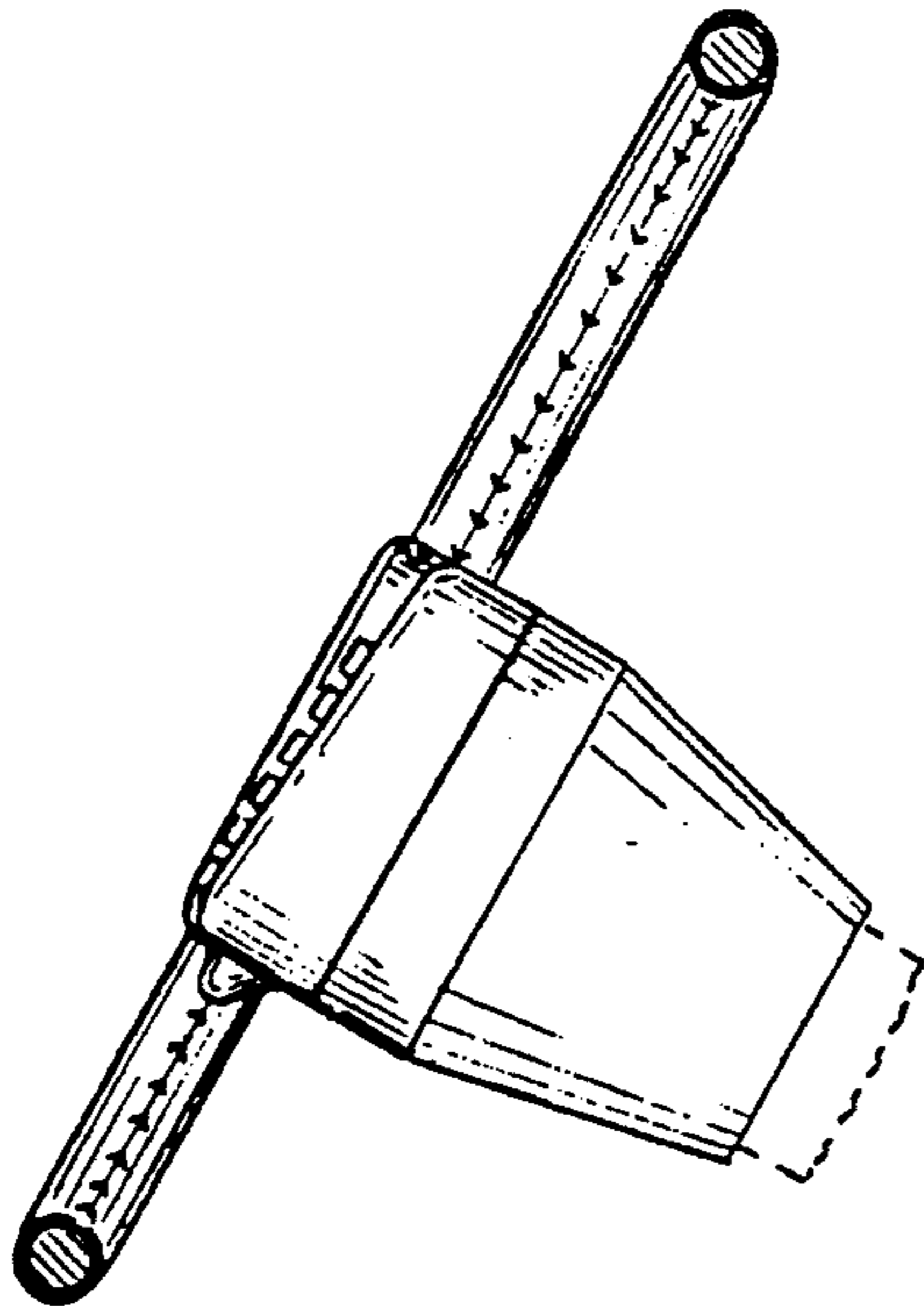
FIG. 1 is a perspective view;  
FIG. 2 is a right side view;  
FIG. 3 is a left side view;  
FIG. 4 is a rear view;  
FIG. 5 is a bottom view; and,  
FIG. 6 is a top view.

The outer rim of the steering wheel assembly is shown in section and the right and left spokes thereof are omitted in FIGS. 2 and 3 of the drawing for clarity of illustration.

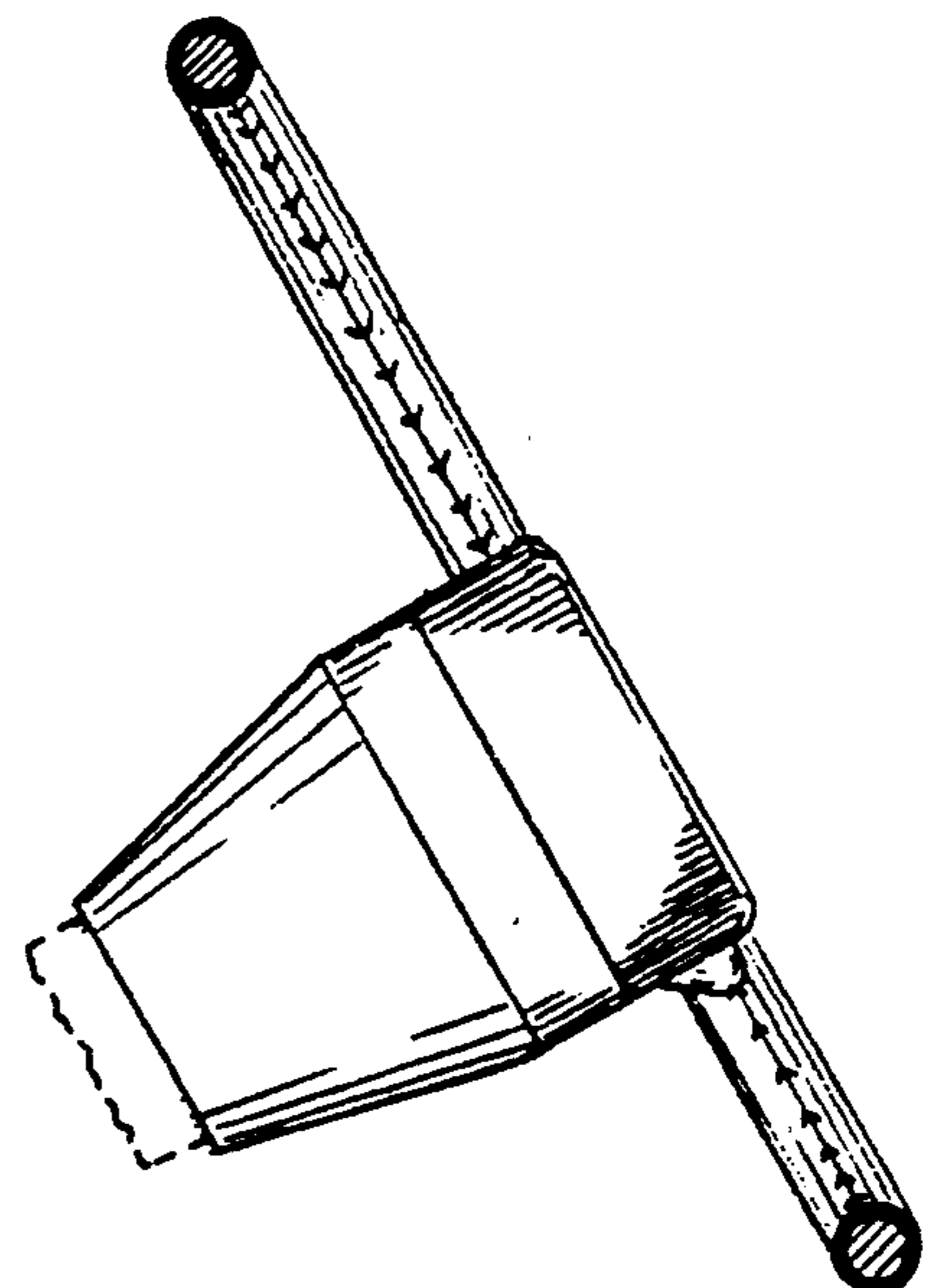




*Fig. 1*



*Fig. 2*



*Fig. 3*

