



US00D343153S

United States Patent [19]

[11] Patent Number: Des. 343,153

Erickson et al.

[45] Date of Patent: ** Jan. 11, 1994

[54] TRAILER ALIGNMENT GUIDE

DESCRIPTION

[76] Inventors: Glen P. Erickson, Rt. 8 Box 10, Thief River Falls, Minn.; Eugene C. Deterling, 240 Cygnet Pl., Orono, Minn. 55356

FIG. 1 is a perspective view of a trailer alignment guide showing our new design, it being understood that the broken lines are for illustrative purposes only and form no part of the claimed design;

[**] Term: 14 Years

FIG. 2 is a front elevation view of the sight portion of the design, the rear view exhibiting a mirror image thereof;

[21] Appl. No.: 695,749

FIG. 3 is a front elevation drawing of the target portion of the design, the rear view exhibiting a mirror image thereof;

[22] Filed: May 6, 1991

[52] U.S. Cl. D12/162

FIG. 4 is a drawing of a top plan view of the sight portion of the design;

[58] Field of Search 280/477; 33/264; D12/162

FIG. 5 is a top plan view of the target portion of the design;

[56] References Cited

U.S. PATENT DOCUMENTS

D. 270,906	10/1983	Orr	D12/162
3,765,703	10/1973	Voelkerling et al.	280/477
3,866,328	2/1975	Alexander et al.	D12/162
4,583,481	4/1986	Garrison	280/477
4,666,176	5/1987	Sand	33/264
4,723,788	2/1988	Suter	280/477
4,741,111	5/1988	Emerick	33/264
4,856,200	8/1989	Riggs	33/264
5,036,593	8/1991	Collier	280/477

FIG. 6 is a bottom plan view of the sight portion of the design;

FIG. 7 is a bottom plan view of the target portion of the design;

Primary Examiner—Wallace R. Burke
Assistant Examiner—Melody Brown
Attorney, Agent, or Firm—Douglas L. Tschida

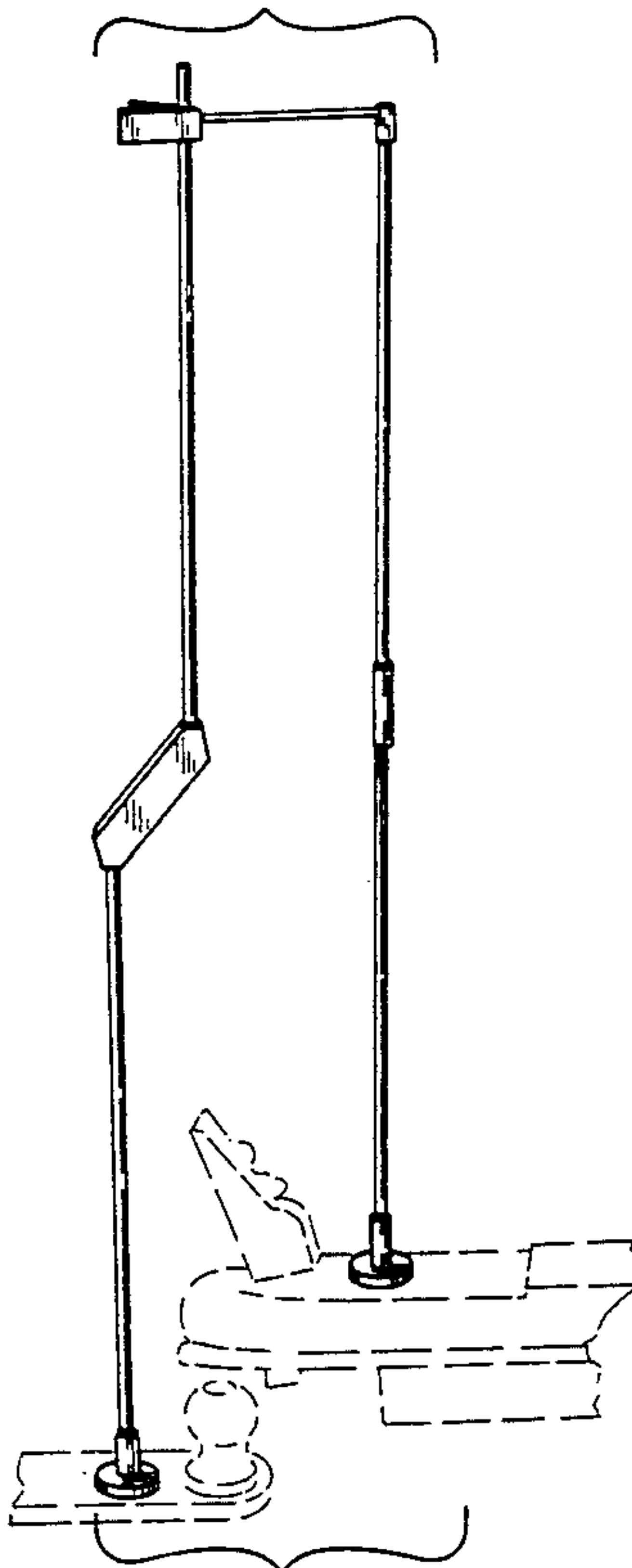
FIG. 8 is a right side elevation view of the sight portion of the design, the left side view exhibiting a mirror image thereof;

FIG. 9 is a right side elevation view of the target portion of the design, the left side view exhibiting mirror image thereof; and,

[57] CLAIM

The ornamental design for a trailer alignment guide, as shown and described.

FIG. 10 is a perspective view of a trailer alignment guide showing a second embodiment of our new design, wherein the only difference resides in the appearance of one of the mounting elements, it being understood that the broken lines are for illustrative purposes only and form no part of the claimed design.



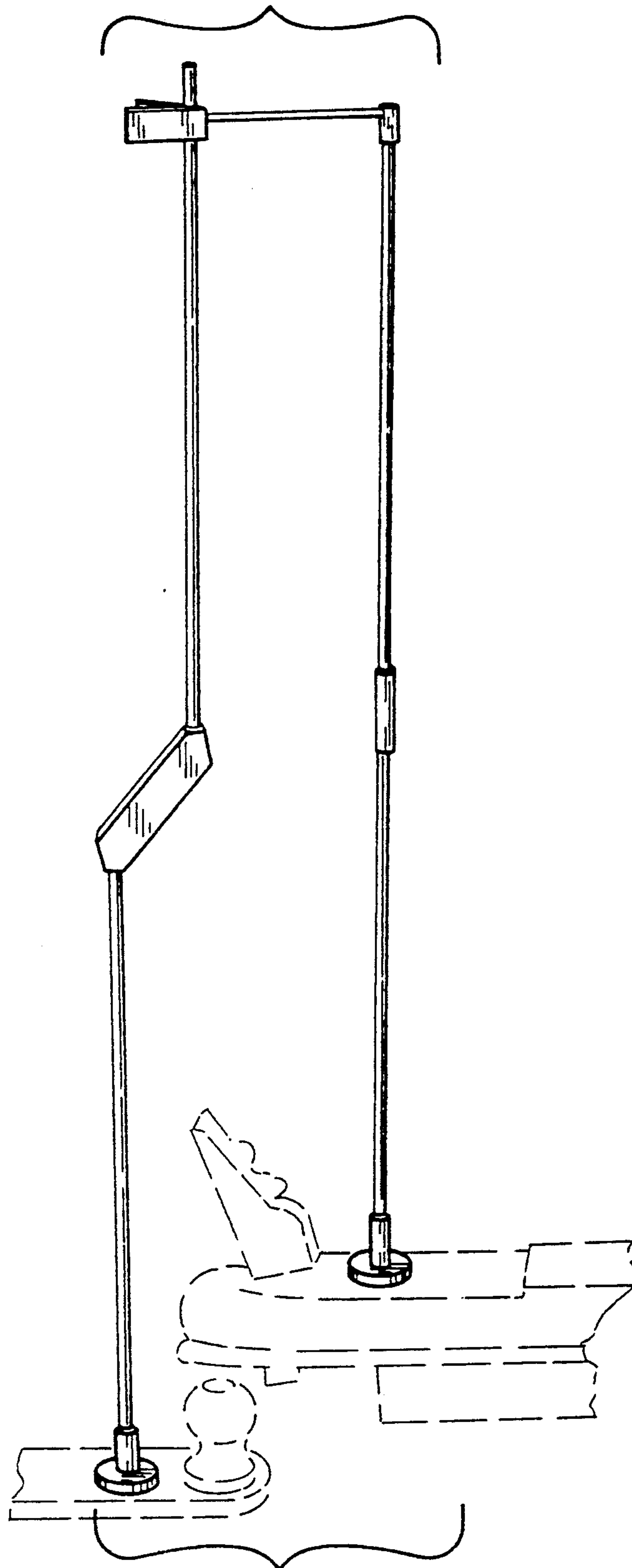


FIG. 1

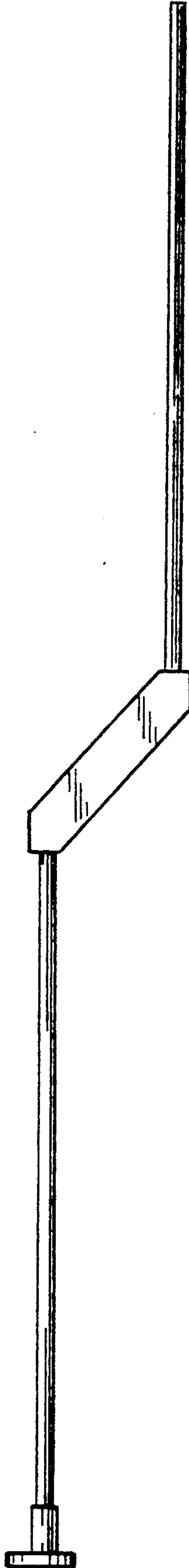


FIG. 2

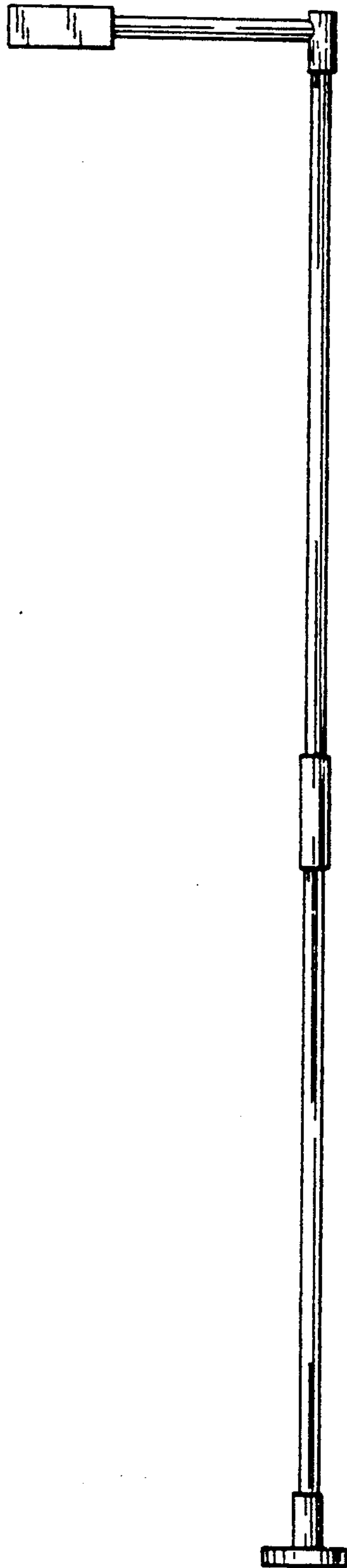


FIG. 3

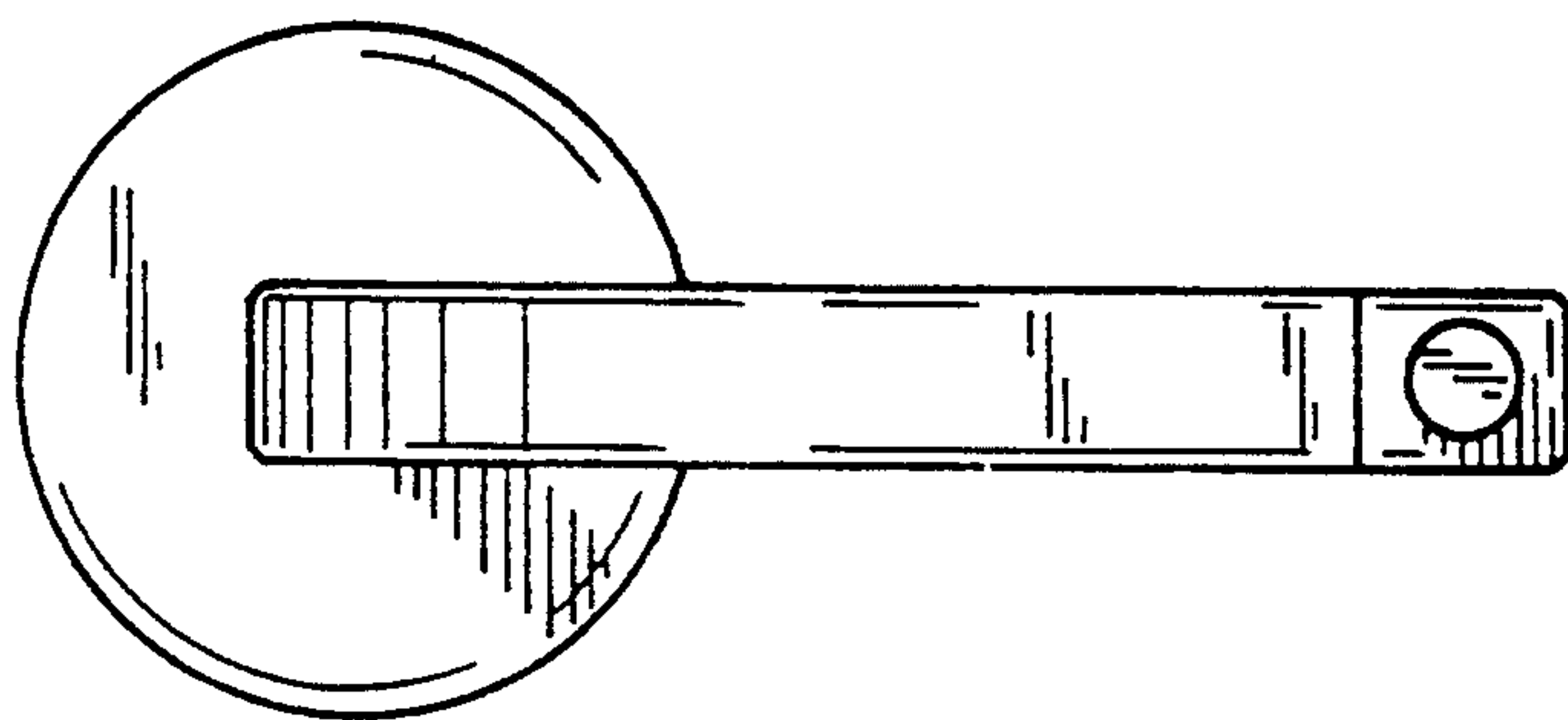


FIG. 4

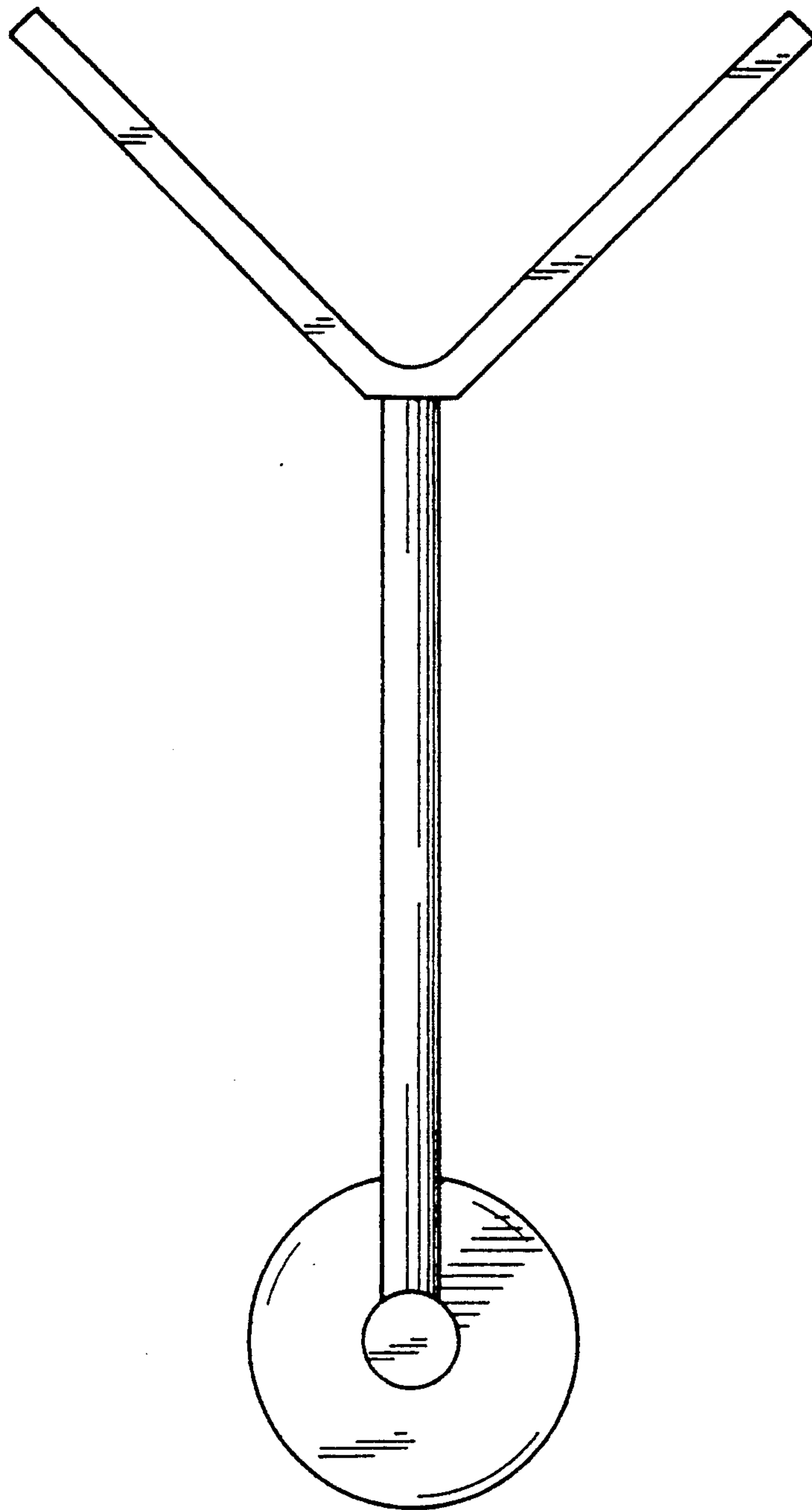


FIG. 5

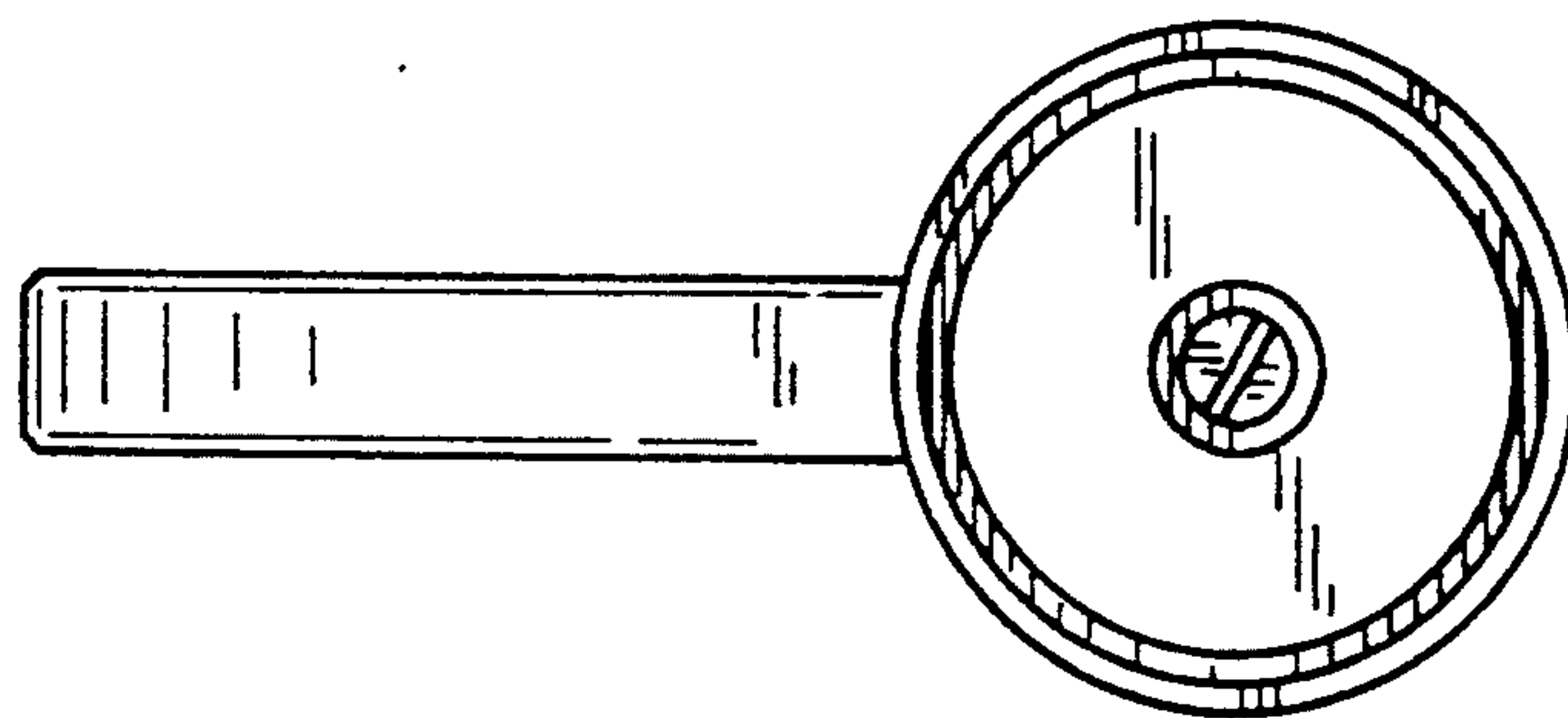


FIG. 6

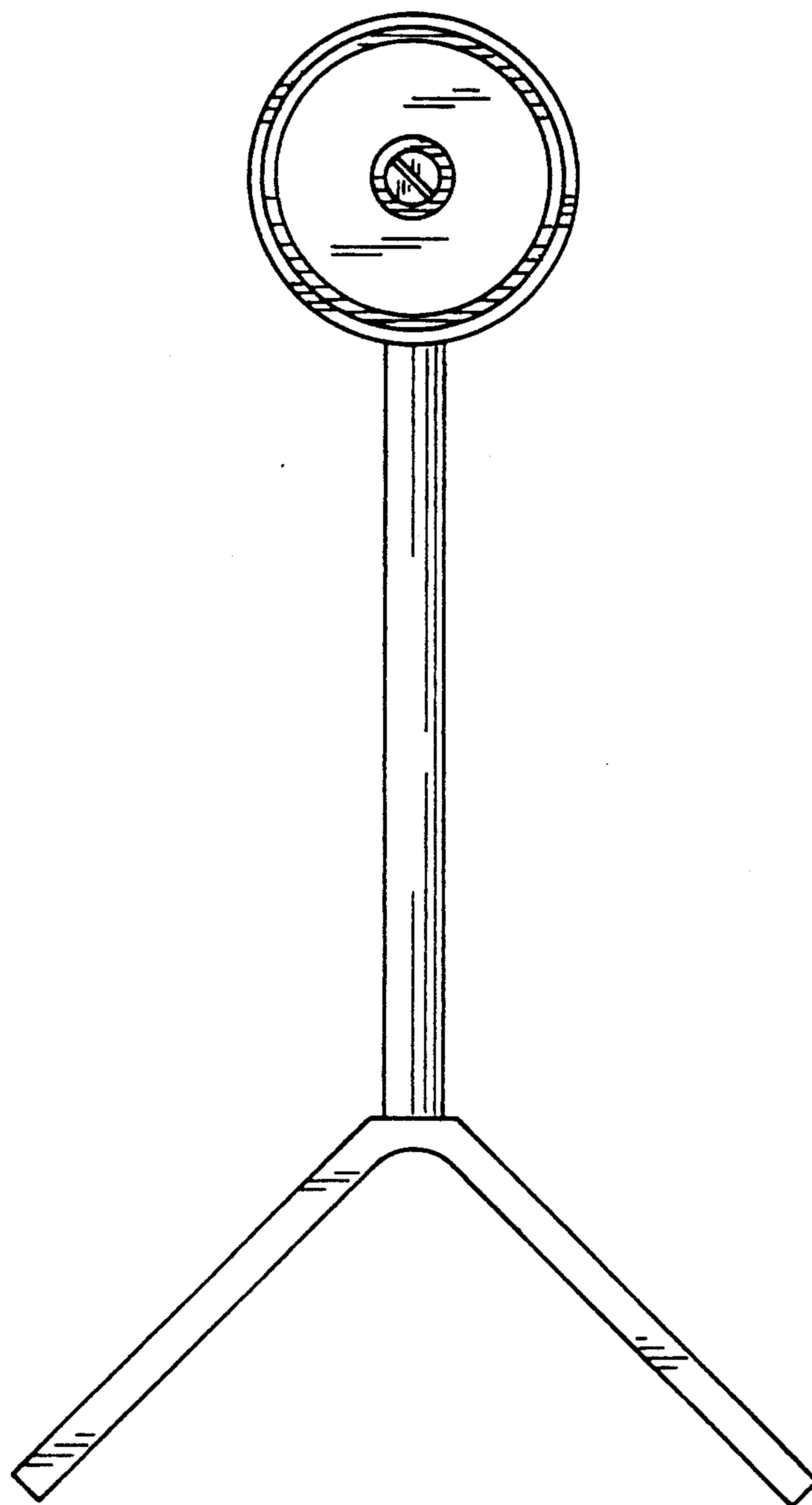


FIG. 7

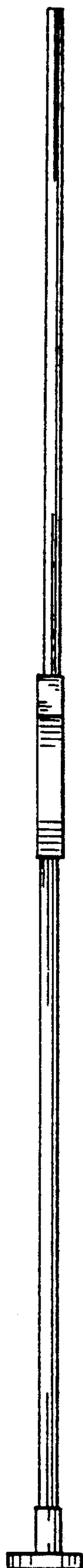


FIG. 8

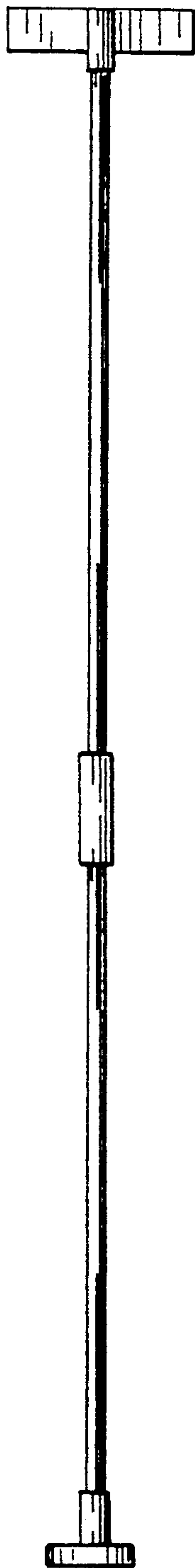


FIG. 9

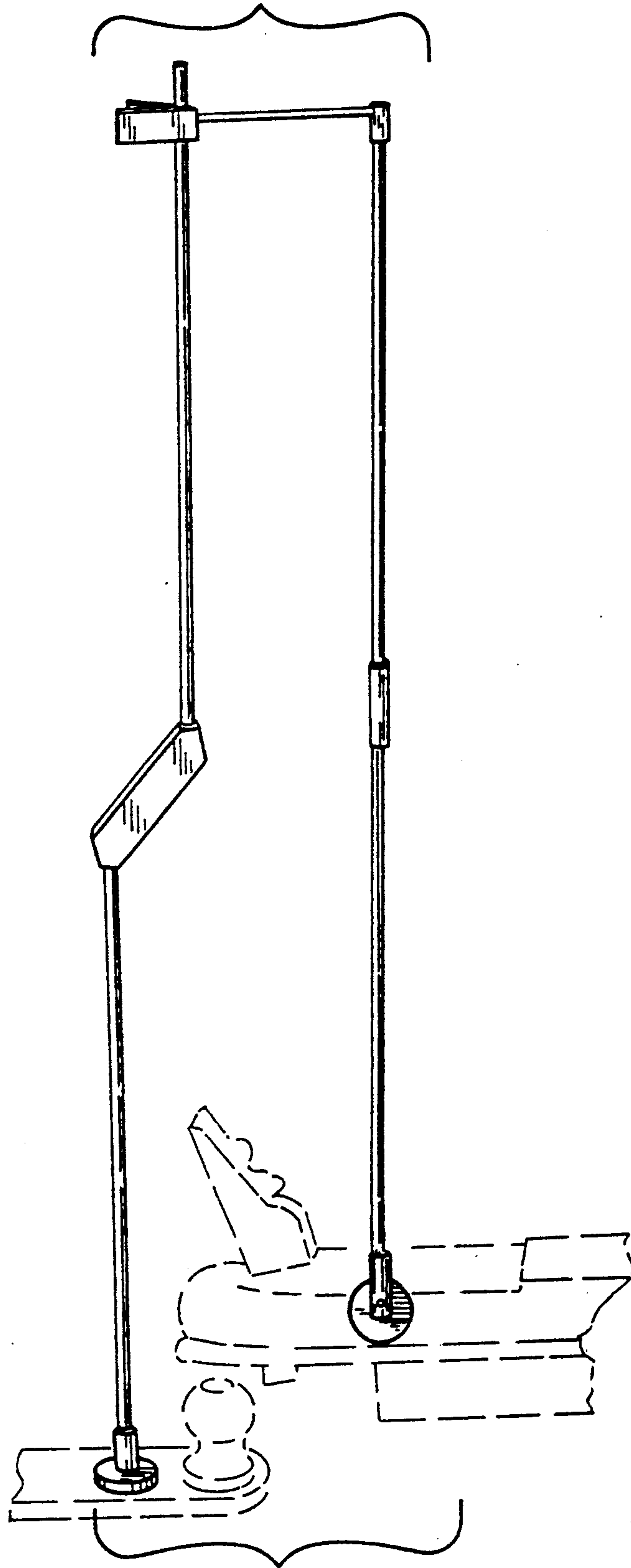


FIG. 10

UNITED STATES PATENT AND TRADEMARK OFFICE
CERTIFICATE OF CORRECTION

PATENT NO. : Des. 343,153
DATED : Jan. 11, 1994
INVENTOR(S) : Glen P. Erickson, et al

It is certified that error appears in the above-identified patent and that said Letters Patent is hereby corrected as shown below:

On the title page, under "Description"
Fig. 9, line 2, "exhibiting mirror" should read --exhibiting a mirror--

Signed and Sealed this
Fourteenth Day of June, 1994

Attest:



BRUCE LEHMAN

Attesting Officer

Commissioner of Patents and Trademarks