



US00D343151S

# United States Patent [19]

[11] Patent Number: **Des. 343,151**

**Eckhart**

[45] Date of Patent: **\*\* Jan. 11, 1994**

## [54] HITCH MOUNTED SKI RACK

[76] Inventor: **Richard A. Eckhart, 5720 White Cloud Cir., Westlake Village, Calif. 91362**

[\*\*] Term: **14 Years**

[21] Appl. No.: **909,470**

[22] Filed: **Jul. 6, 1992**

[52] U.S. Cl. .... **D12/157**

[58] Field of Search ..... **224/42.03 R, 42.03 A, 42.42, 42-42 R, 917-273**

### [56] References Cited

#### U.S. PATENT DOCUMENTS

D. 327,043 6/1992 Ott et al. .... **D12/157**

### OTHER PUBLICATIONS

Bak Rak Industries Mailer Flyer, published prior to Jul. 1992, Hitch Mounted Multi-Sport Carrier.

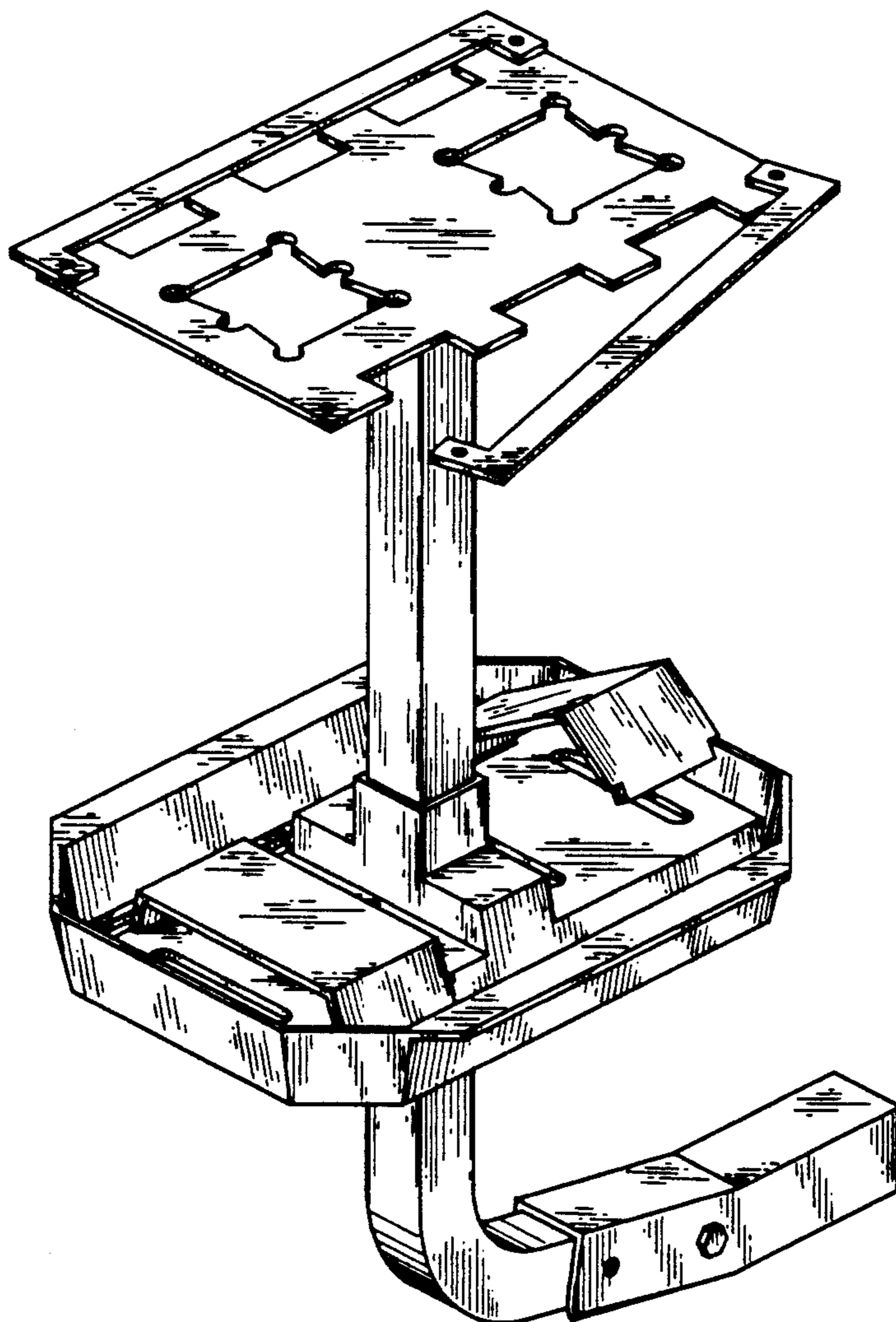
*Primary Examiner*—James M. Gandy  
*Attorney, Agent, or Firm*—Koppel & Jacobs

### [57] CLAIM

The ornamental design for a hitch mounted ski rack, as shown and described.

### DESCRIPTION

FIG. 1 is a perspective view of a hitch mounted ski rack showing my new design;  
FIG. 2 is a right side elevational view thereof;  
FIG. 3 is a left side elevational view thereof;  
FIG. 4 is a front elevational view thereof;  
FIG. 5 is a rear elevational view thereof;  
FIG. 6 is a plan view thereof;  
FIG. 7 is a bottom plan view thereof; and,  
FIG. 8 is a sectional view thereof taken along the section line 8—8 of FIG. 4.



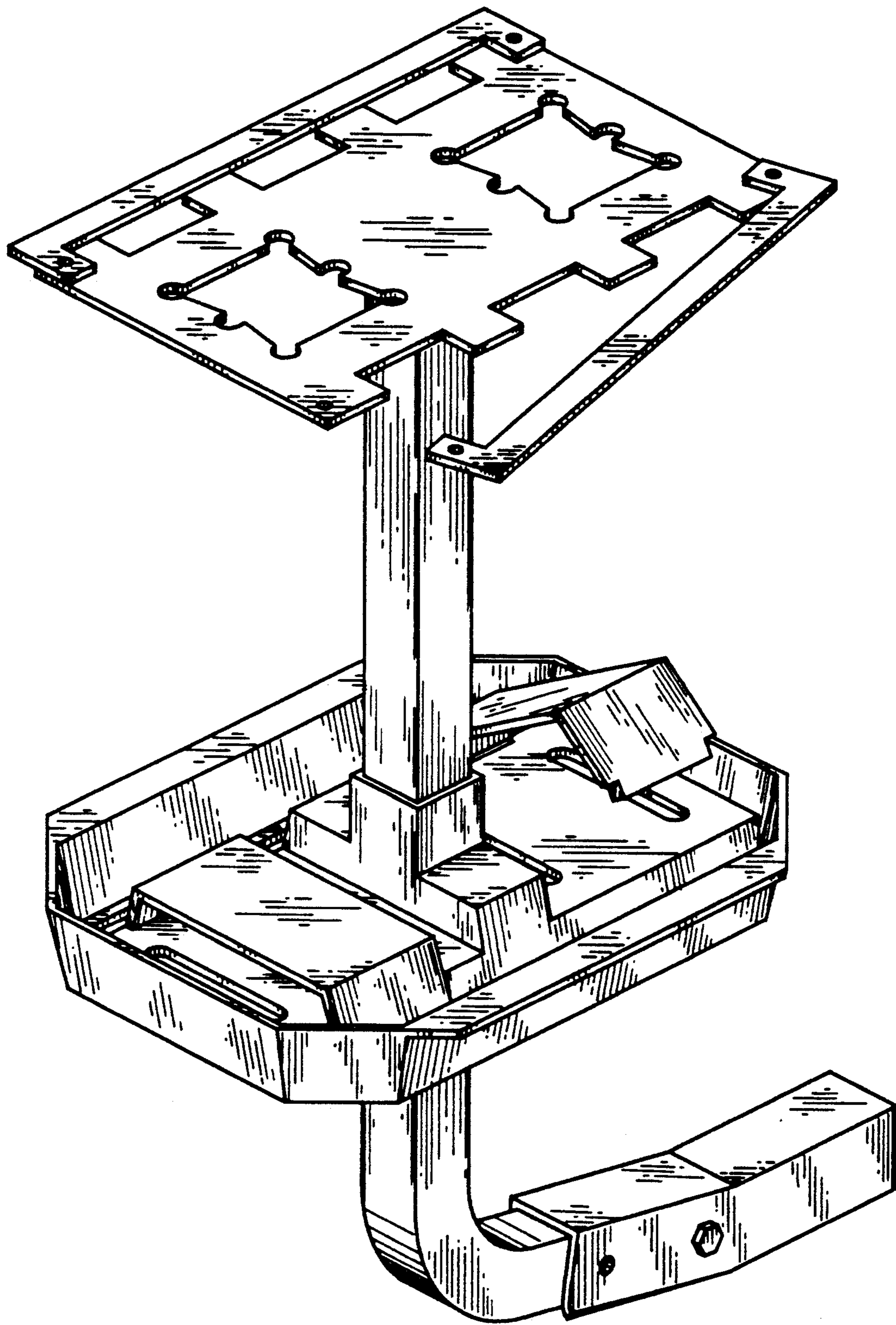


Fig. 1

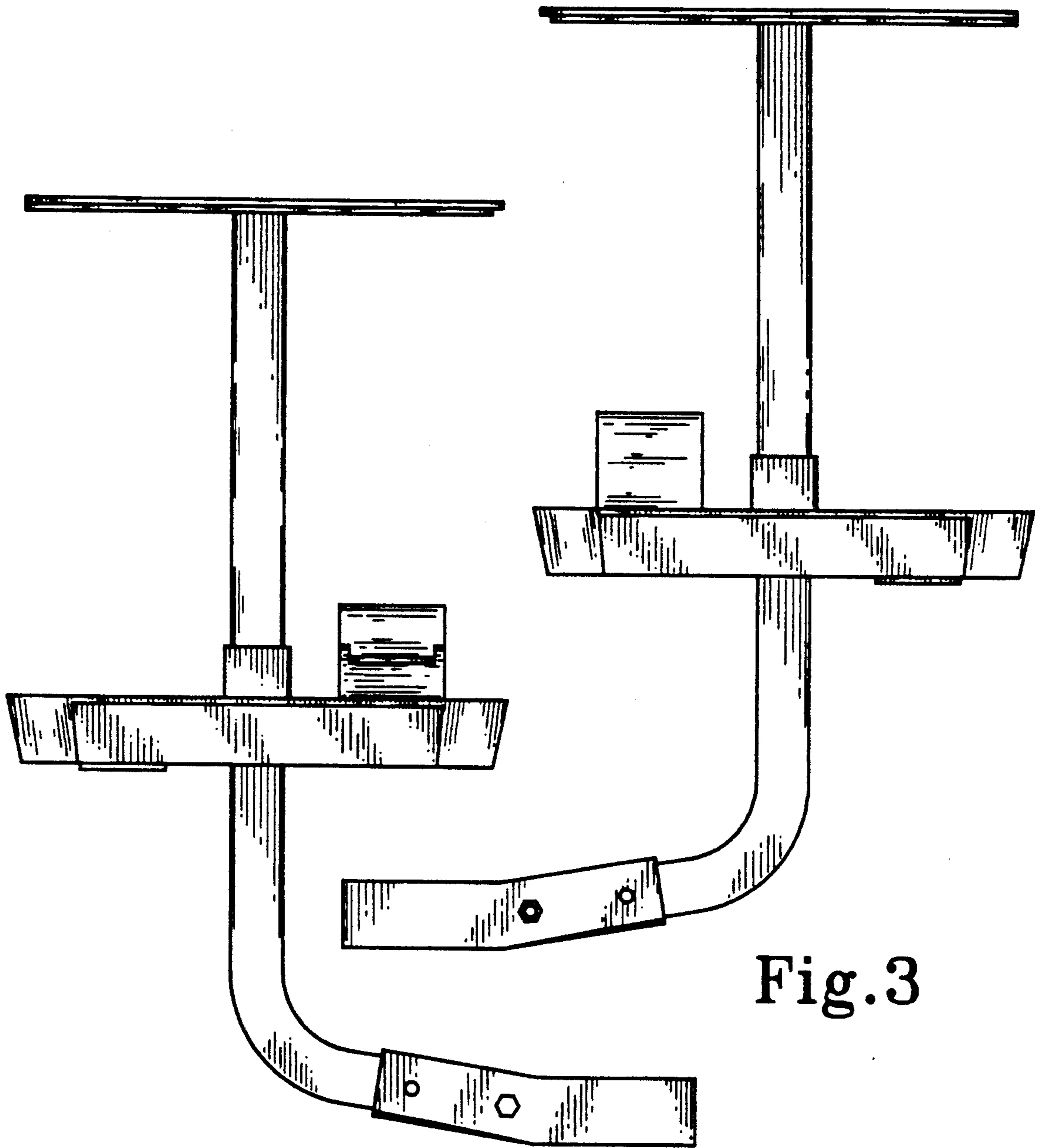


Fig.2

Fig.3

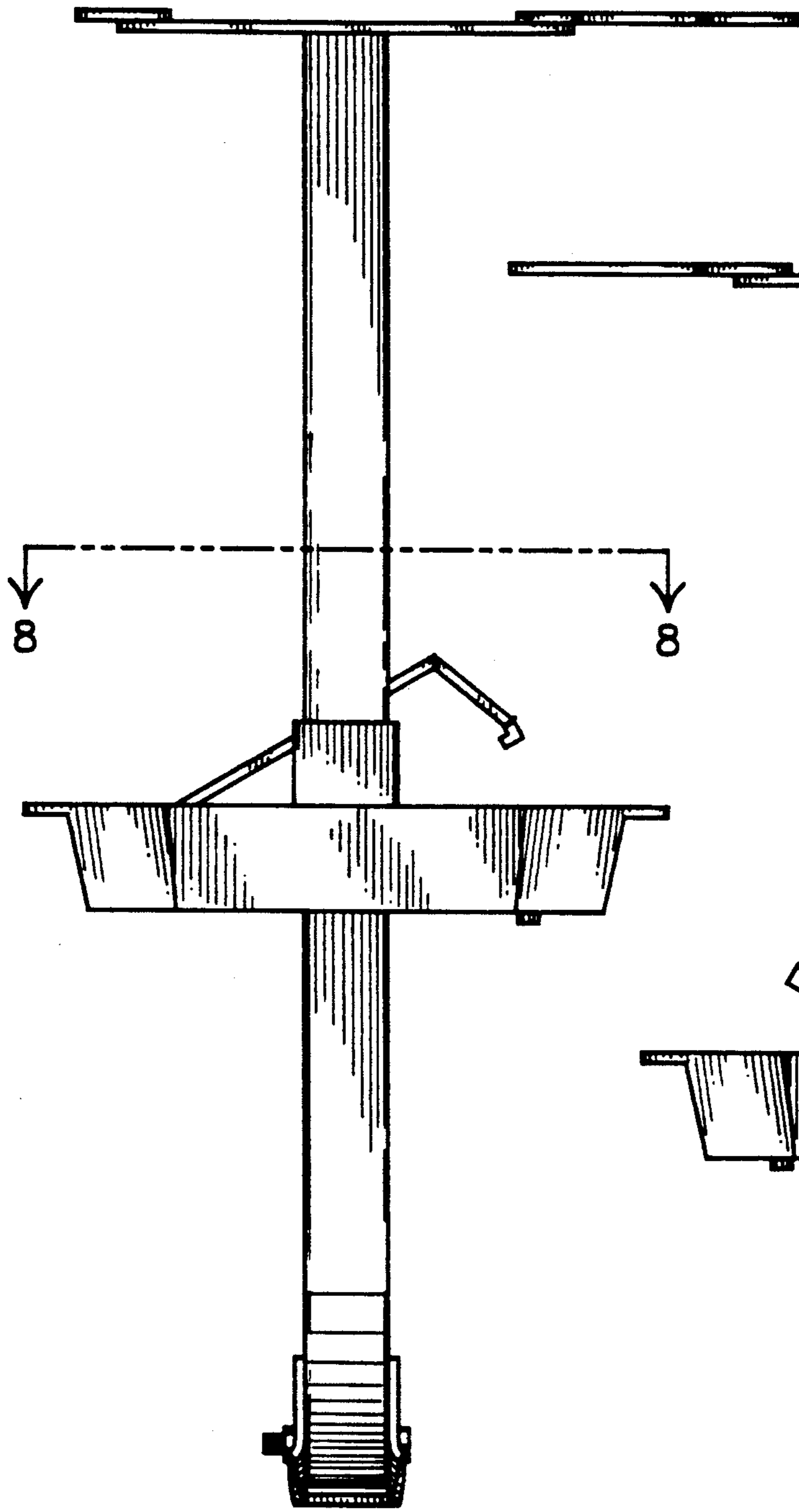


Fig. 4

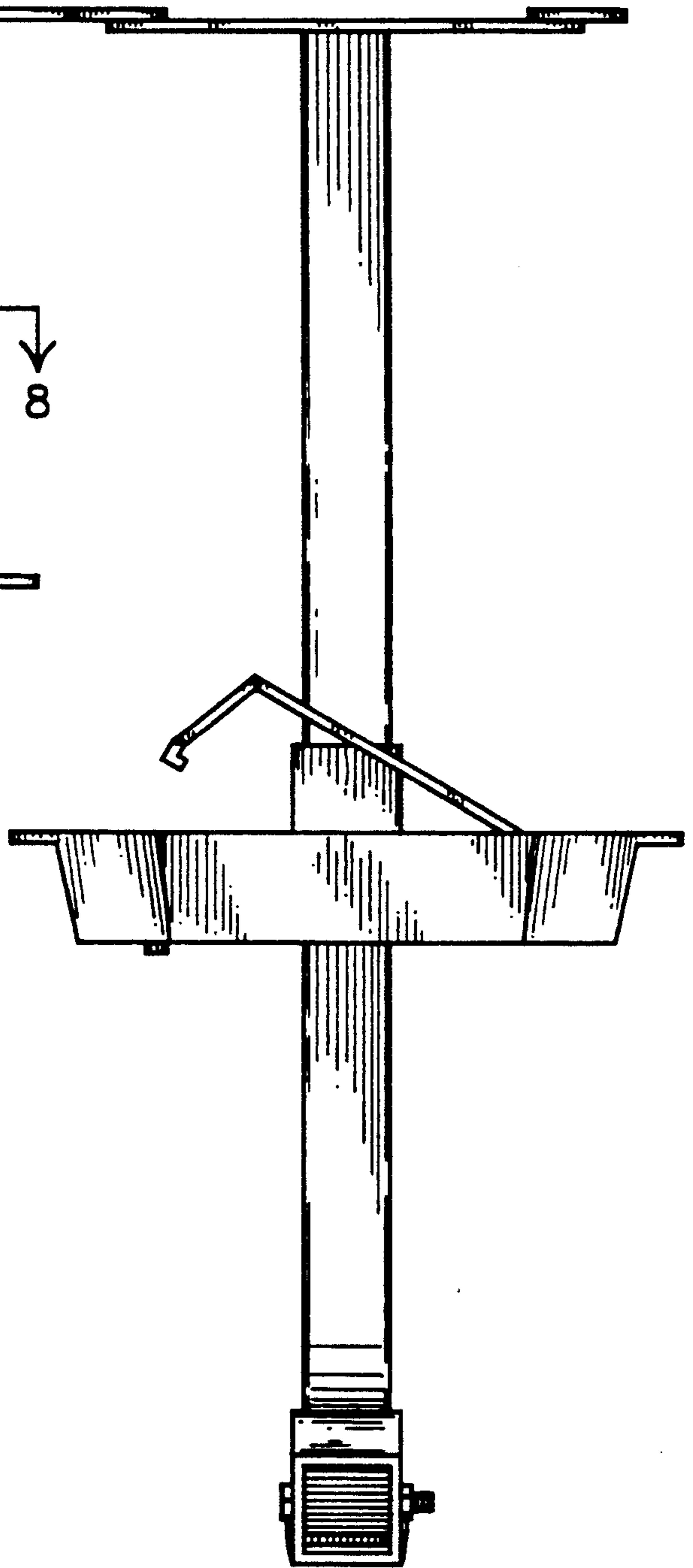


Fig. 5

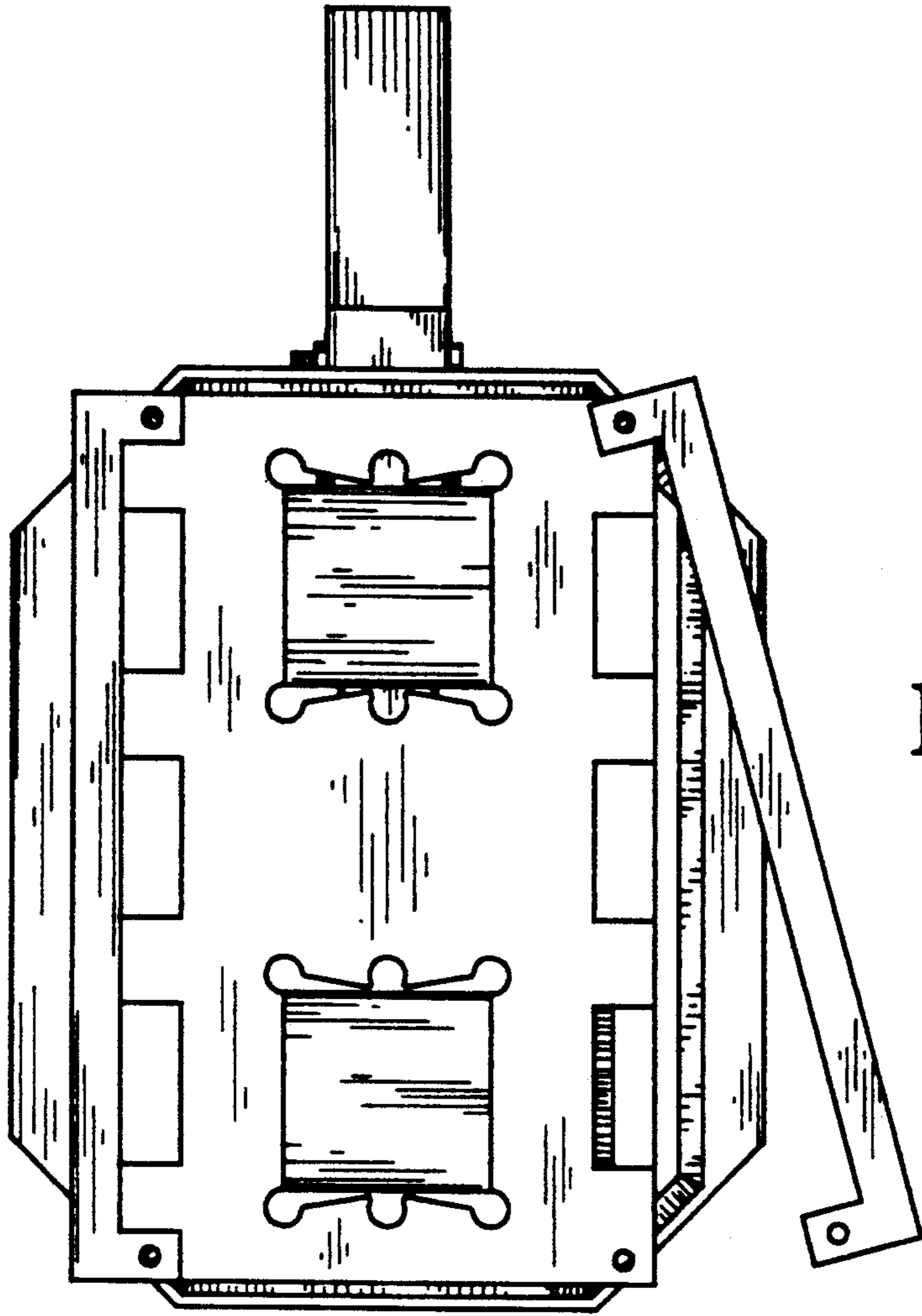
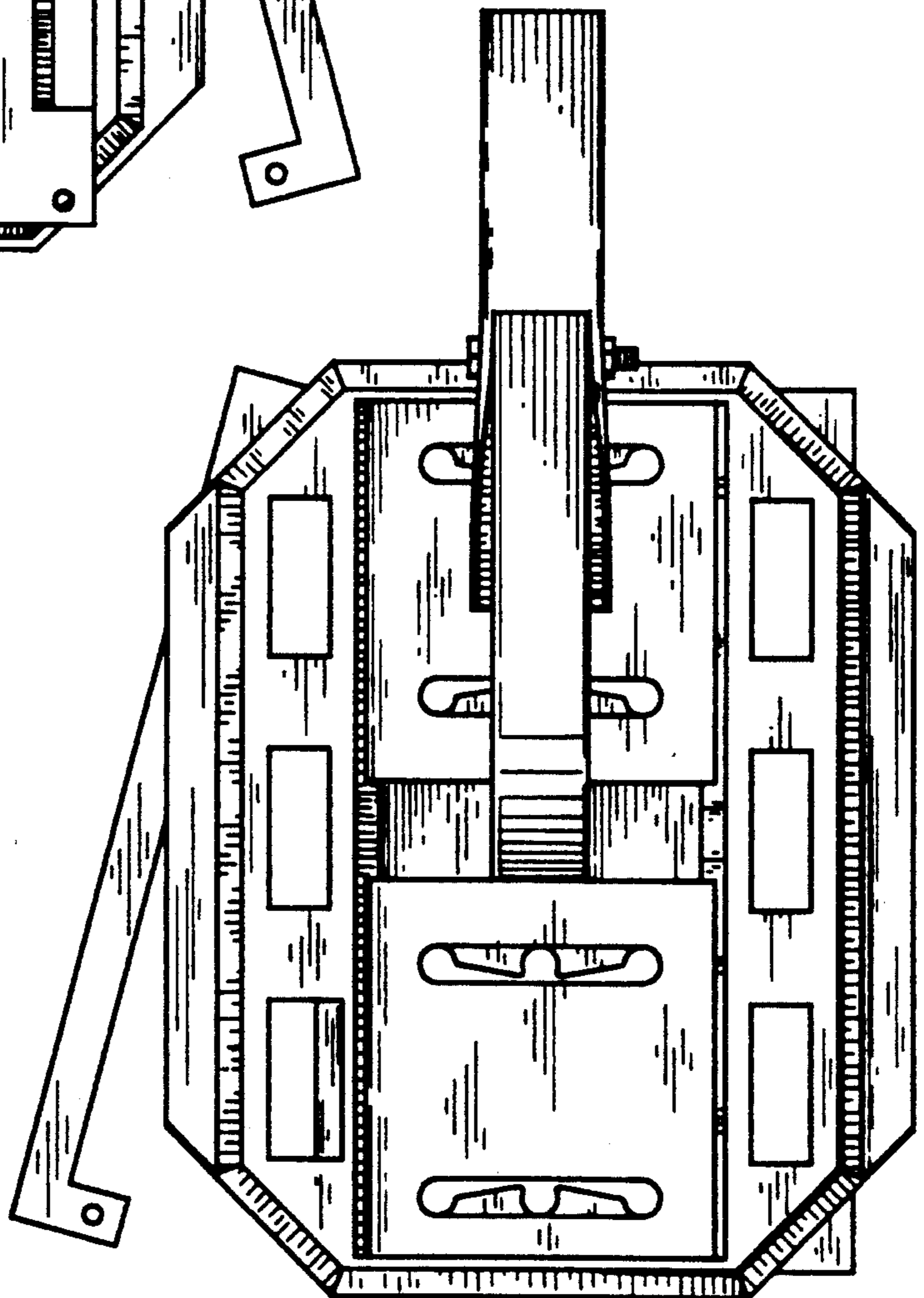


Fig. 6

Fig. 7



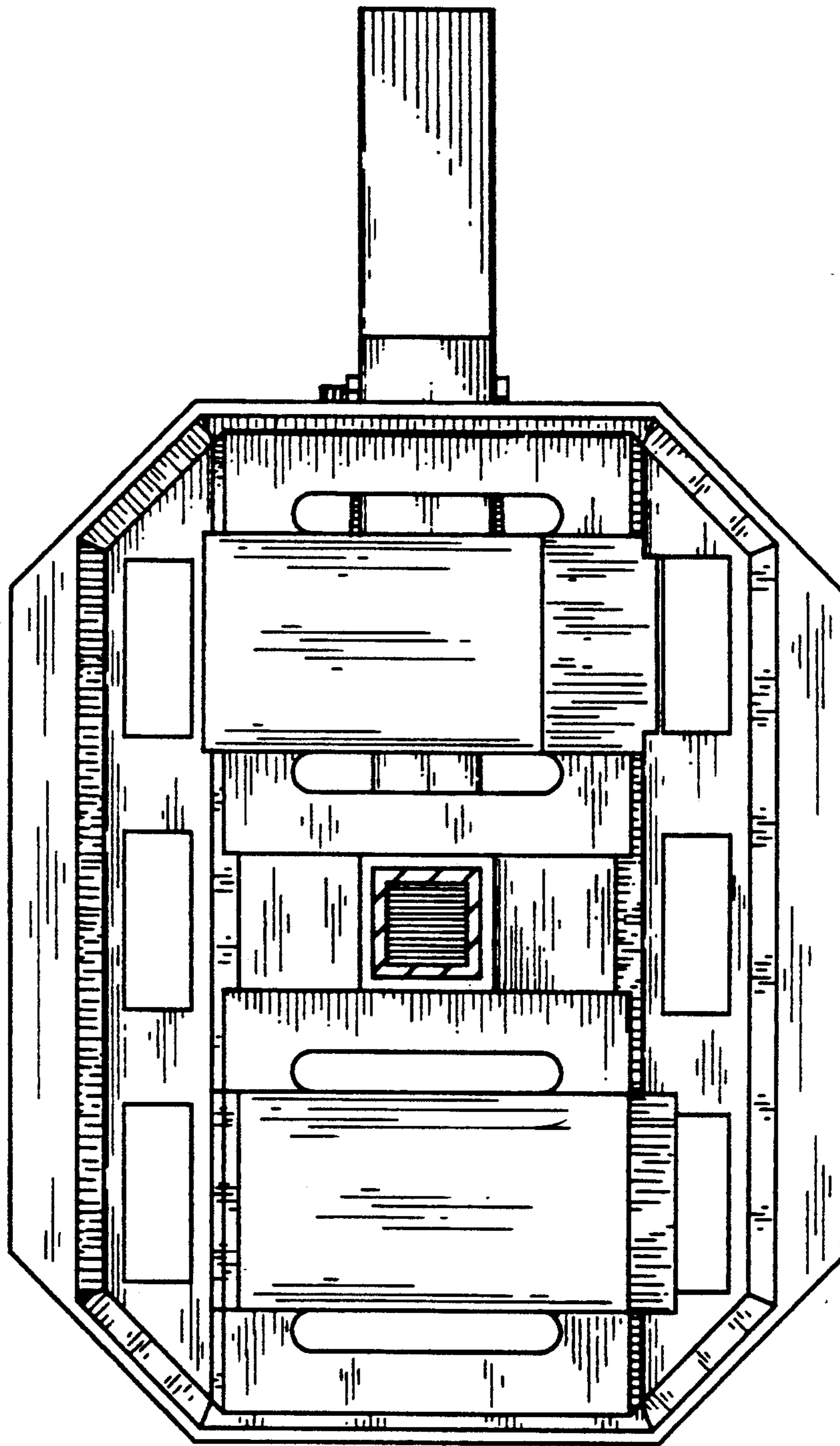


Fig. 8