



US00D343149S

United States Patent [19]

Chang

[11] Patent Number: **Des. 343,149**

[45] Date of Patent: **** Jan. 11, 1994**

[54] **ONE-PIECE HANDLE BAR STEM**

4,621,805 11/1986 Chen 74/551.3
4,798,377 1/1989 White 482/62

[76] Inventor: **Chao-Chi Chang**, No. 70-1, Lane 81,
Hu-Tung St., Hsi-Hu Chen,
Changhua Hsien, Taiwan

[**] Term: **14 Years**

[21] Appl. No.: **908,030**

[22] Filed: **Jul. 2, 1992**

OTHER PUBLICATIONS

American Bicyclist & Motorcyclist, Apr. 1991, p. 38,
the Dura-Ace Bicycle Handlebar Stem.

Primary Examiner—Wallace R. Burke
Assistant Examiner—Melody N. Brown
Attorney, Agent, or Firm—Ladas & Parry

[57] **CLAIM**

The ornamental design for a one-piece handle bar stem,
as shown.

Related U.S. Application Data

[63] Continuation-in-part of Ser. No. 695,412, May 3, 1991,
abandoned.

[52] U.S. Cl. **D12/118**

[58] Field of Search 74/551.3, 551.4, 551.1;
280/281.1, 288.1, 275, 280; D12/118, 111, 178

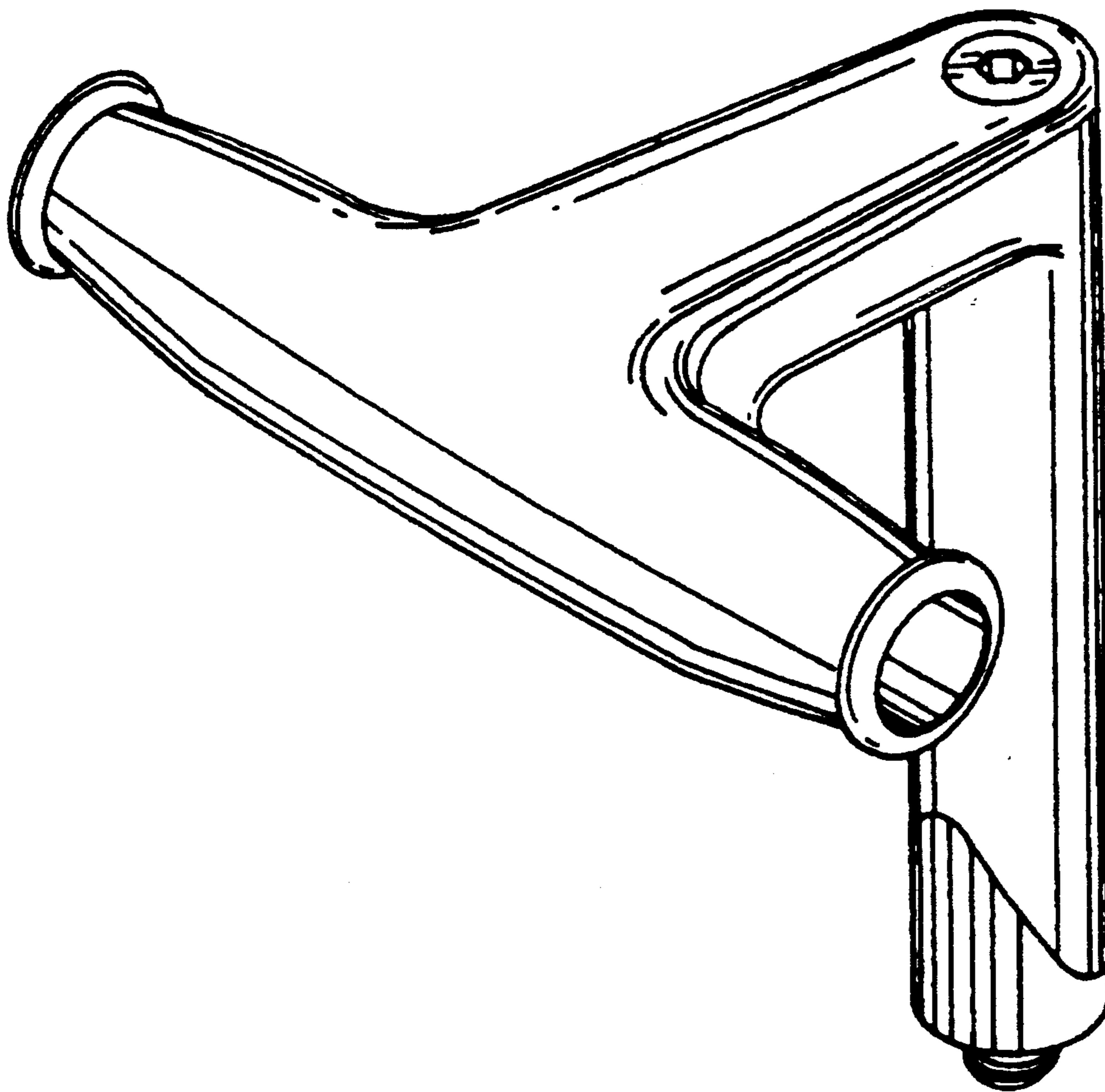
DESCRIPTION

FIG. 1 is a perspective view of one-piece handle bar stem showing my new design;
FIG. 2 is a front elevational view thereof;
FIG. 3 is a rear elevational view thereof;
FIG. 4 is a left side elevational view thereof;
FIG. 5 is a right side elevational view thereof;
FIG. 6 is a top plan view thereof; and,
FIG. 7 is a bottom plan view thereof.

[56] **References Cited**

U.S. PATENT DOCUMENTS

D. 306,418 3/1990 McMurthey D12/118
4,417,745 11/1983 Shomo 74/551.3



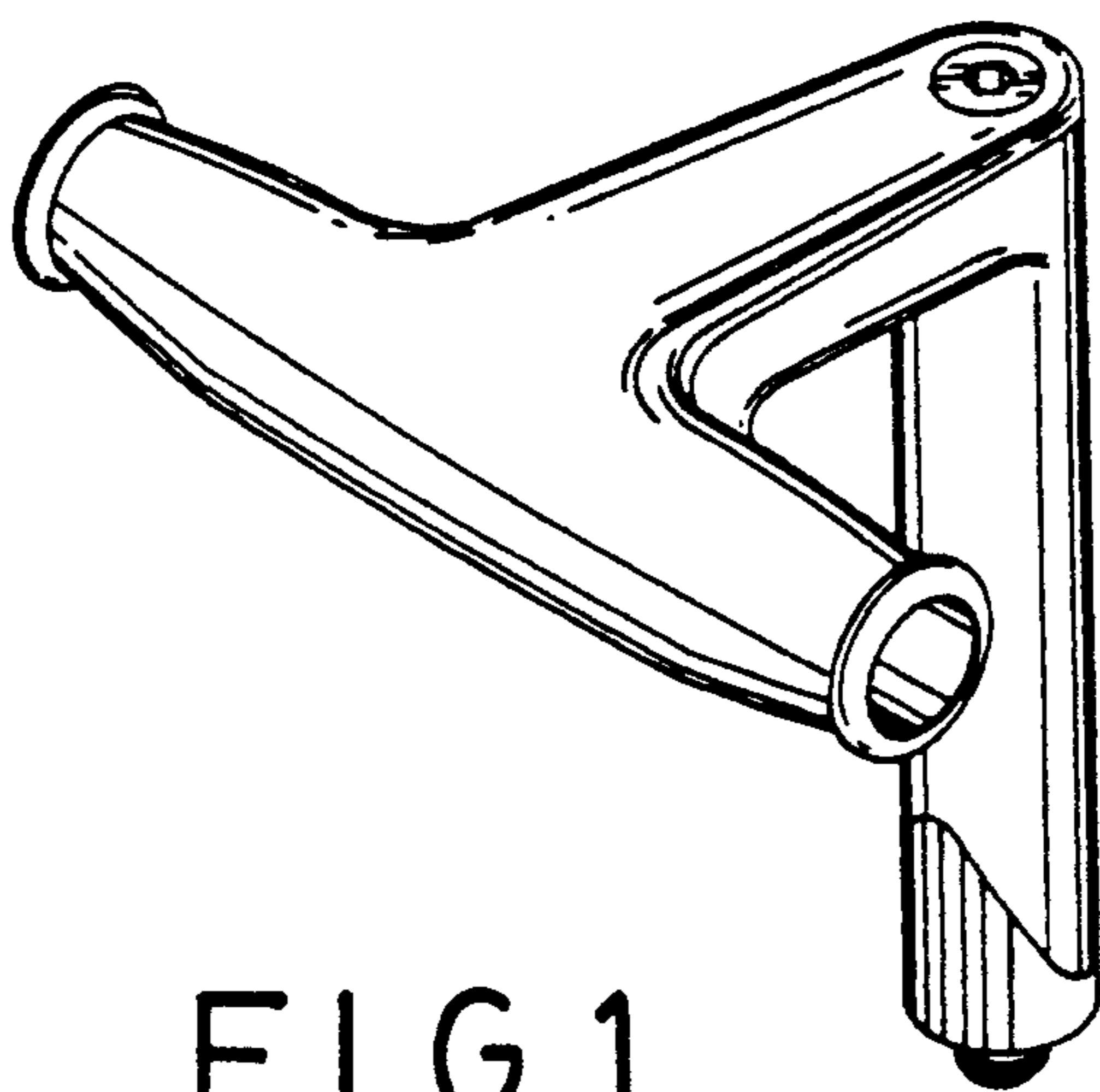


FIG. 1

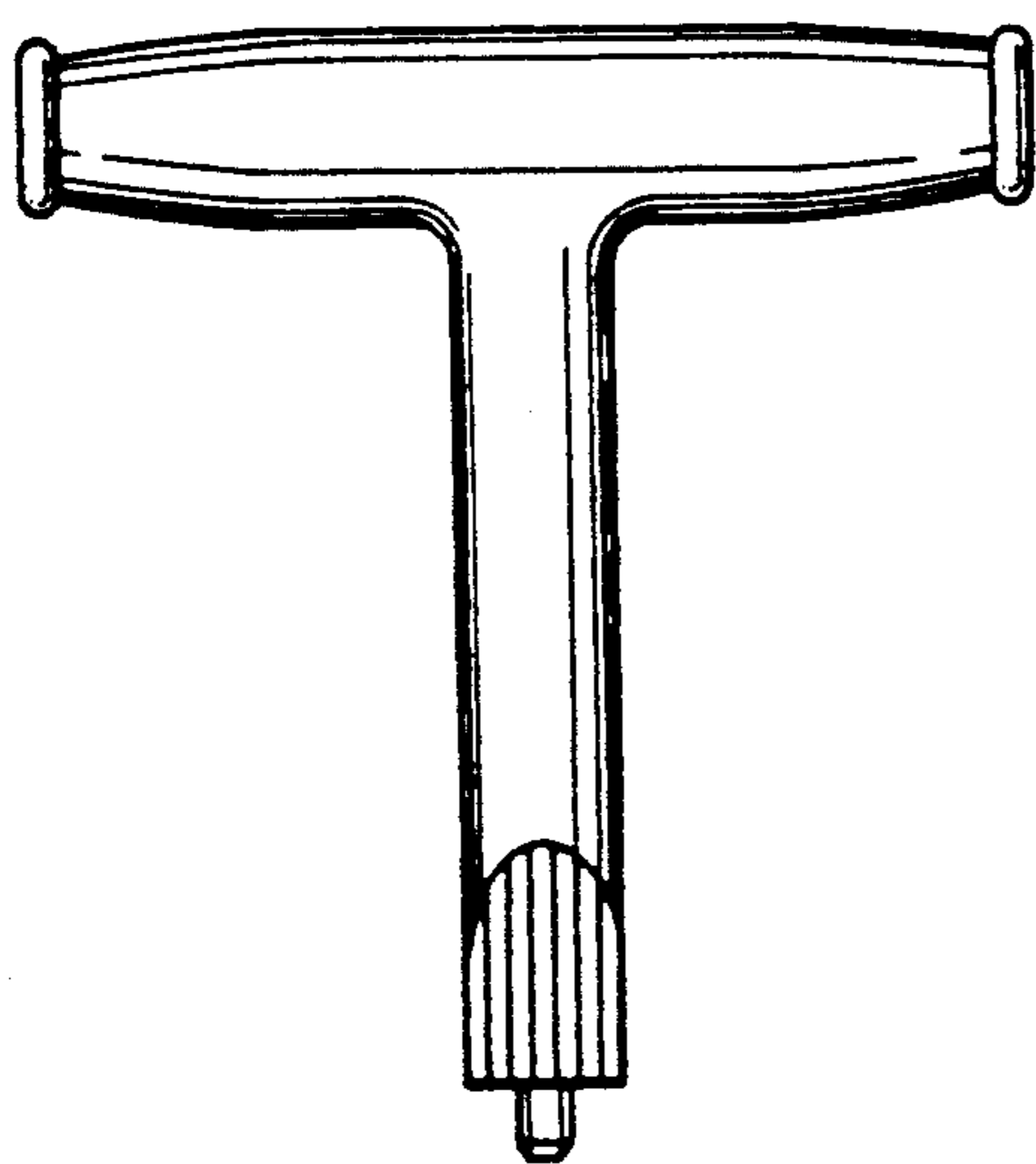


FIG. 2

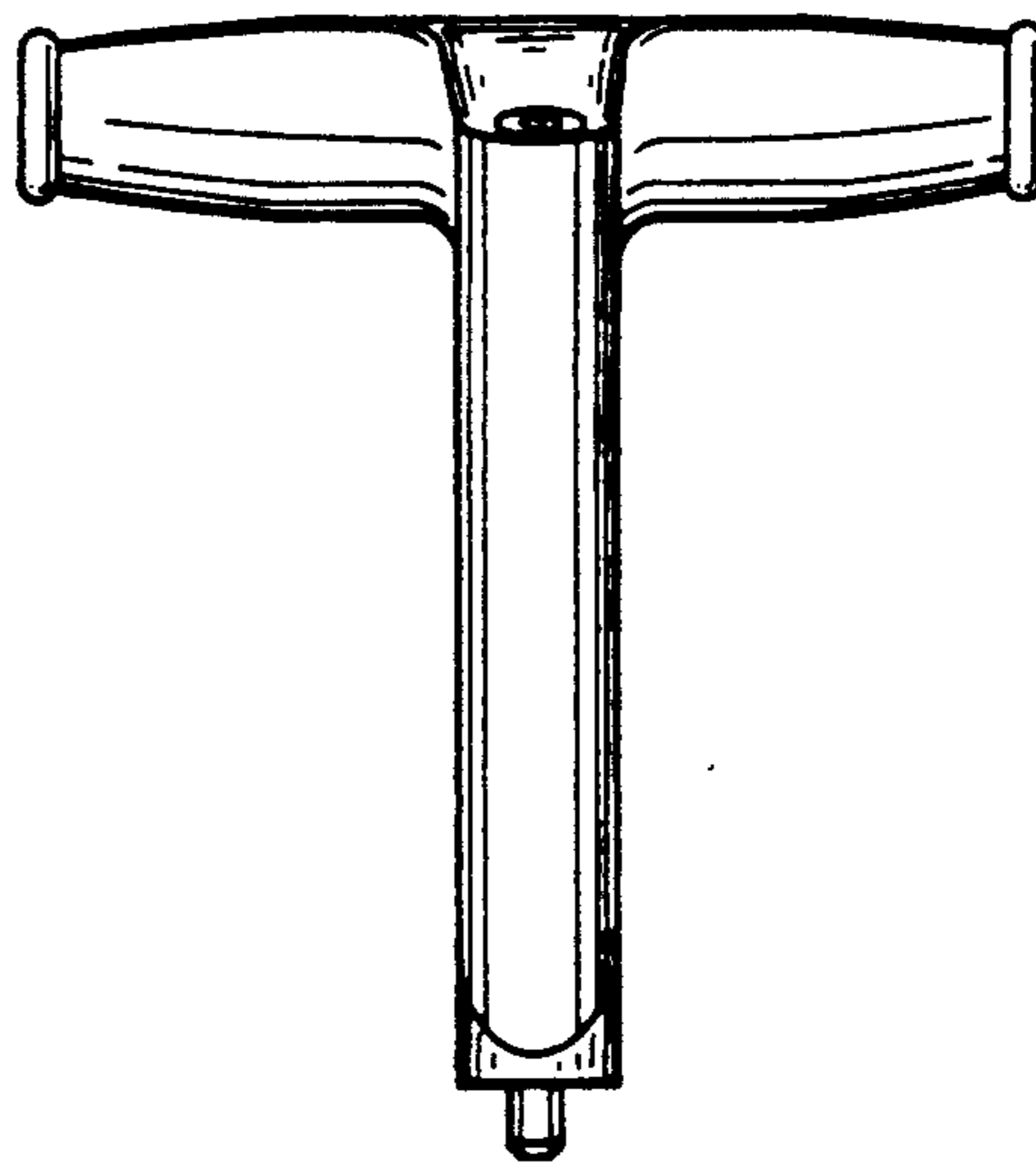


FIG. 3

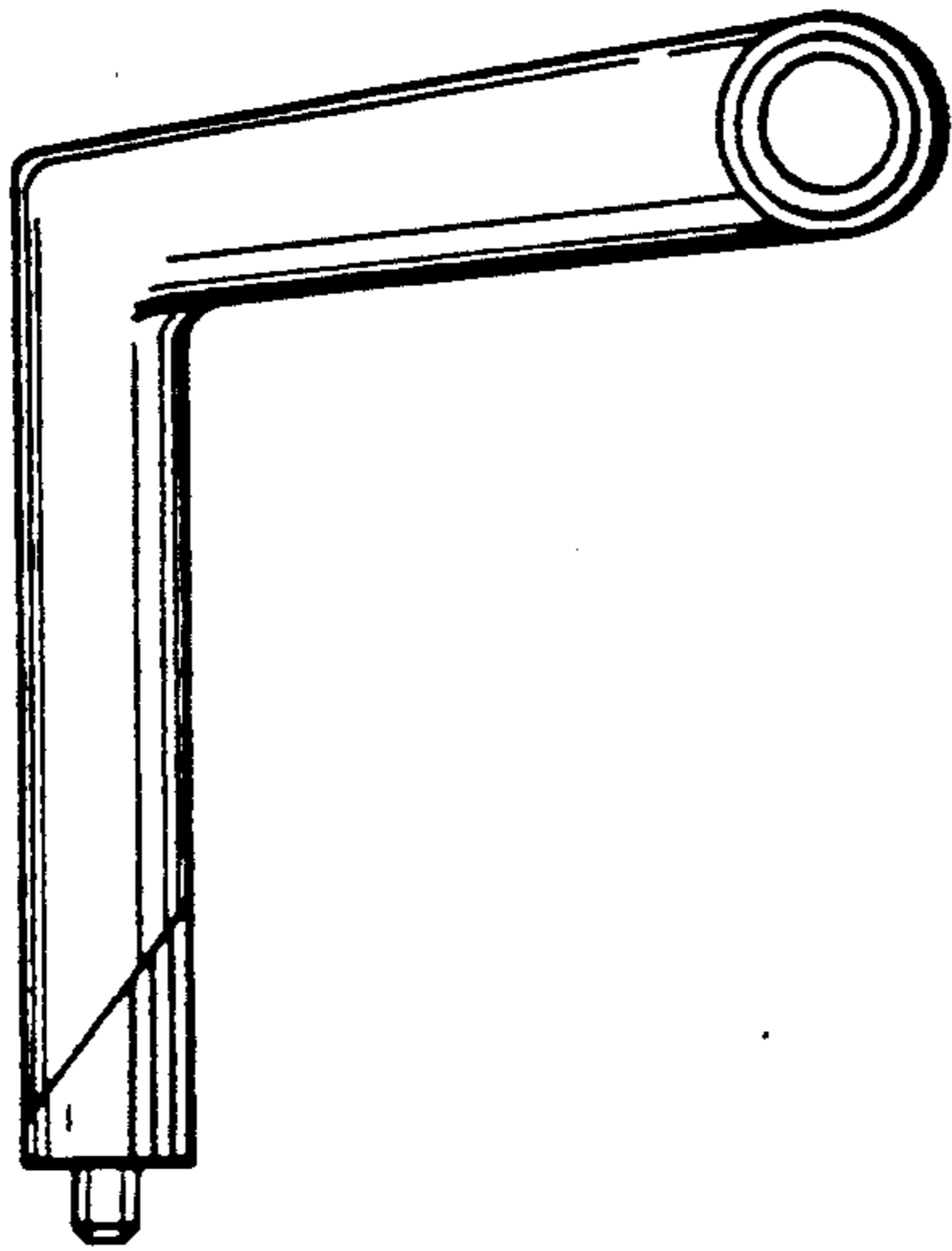


FIG. 4

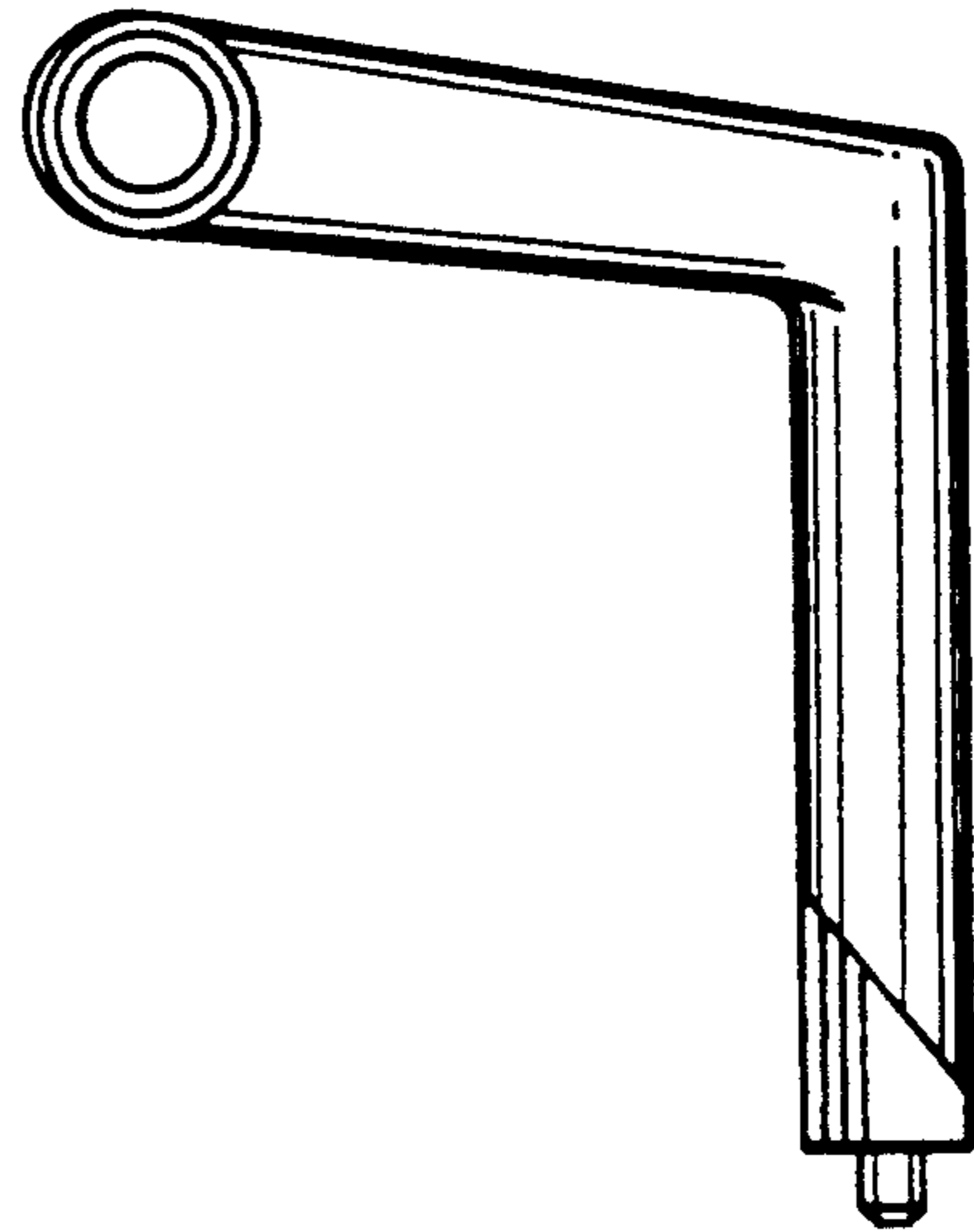


FIG. 5

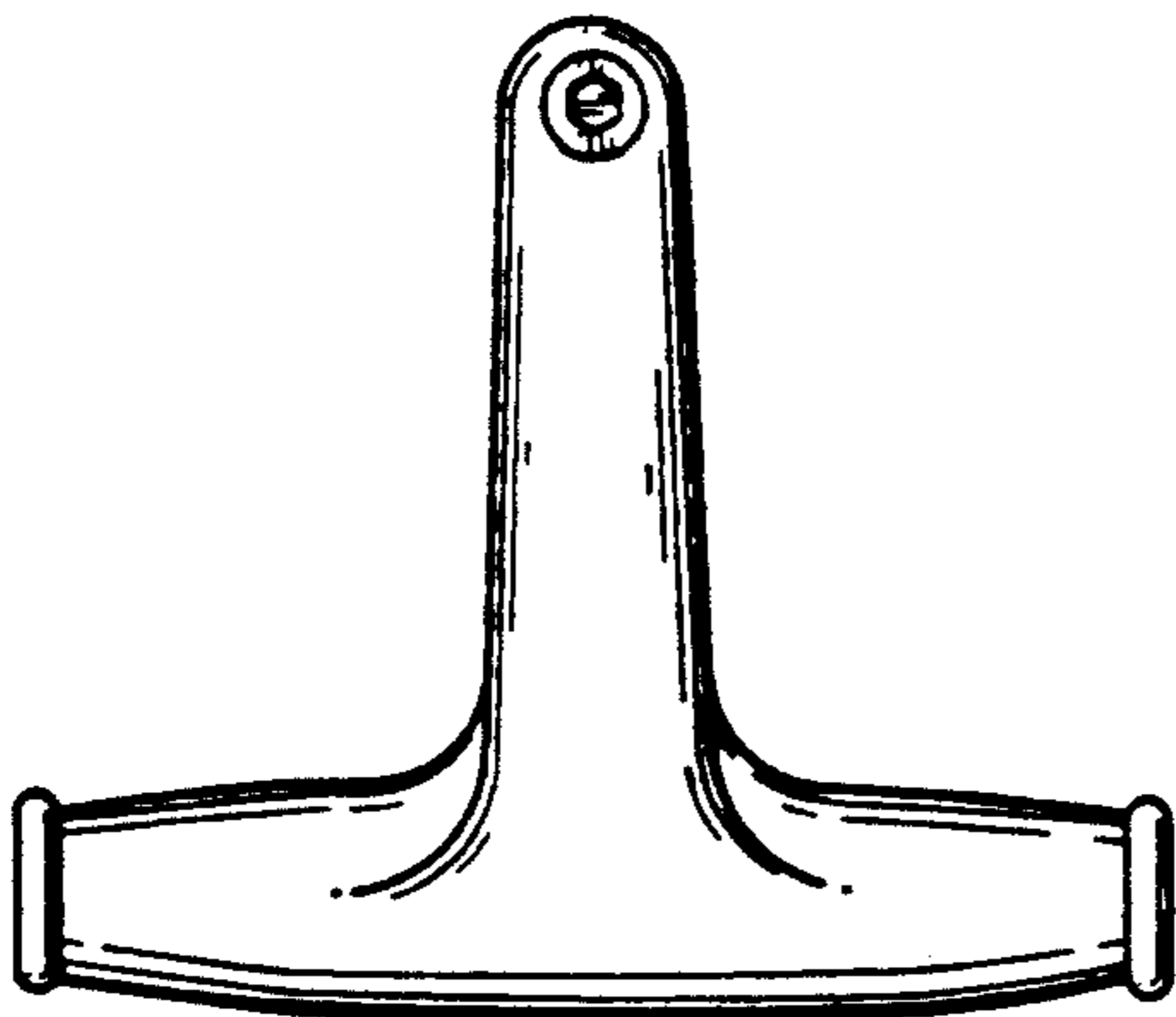


FIG. 6

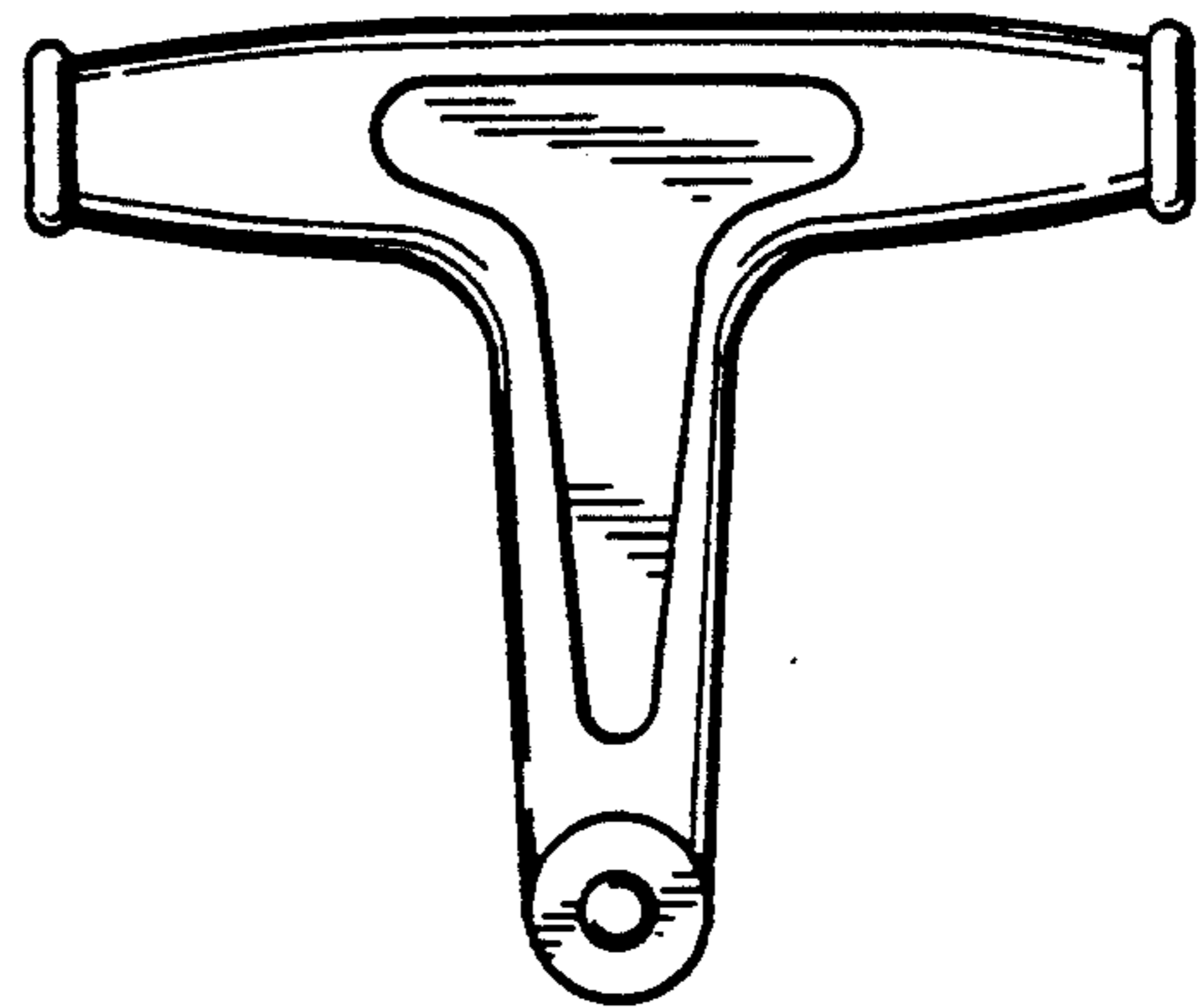


FIG. 7