



US00D343147S

United States Patent [19]

[11] Patent Number: **Des. 343,147**

Cognata et al.

[45] Date of Patent: **** Jan. 11, 1994**

[54] **BICYCLE FRAME**

[75] Inventors: **Larry M. Cognata, Franklin; John K. Story, Donelson; Karen S. Watson, Columbia, all of Tenn.**

[73] Assignee: **The Murray Ohio Manufacturing Company, Brentwood, Tenn.**

[**] Term: **14 Years**

[21] Appl. No.: **853,613**

[22] Filed: **Mar. 18, 1992**

[52] U.S. Cl. **D12/111**

[58] Field of Search **280/281.1, 288.1, 288.2, 280/288.3; D12/111**

[56] **References Cited**

U.S. PATENT DOCUMENTS

4,733,881 3/1988 Mueller 250/281.1
5,011,172 4/1991 Bellanca et al. 280/281.1

OTHER PUBLICATIONS

Raleigh Bicycle Buyers Guide, 1991, p. 35, The Trickster and Shredder BMX bicycles.

Primary Examiner—Wallace R. Burke

Assistant Examiner—Melody Brown

Attorney, Agent, or Firm—Cushman, Darby & Cushman

[57] **CLAIM**

The ornamental design for a bicycle frame, as shown and described.

DESCRIPTION

FIG. 1 is a side elevational view of a bicycle frame showing our new design;

FIG. 2 is a rear perspective view thereof; and,

FIG. 3 is a front elevation view thereof.

The broken lines shown in FIGS. 1, 2 and 3 are for illustrative purposes only and form no part of the claimed design.

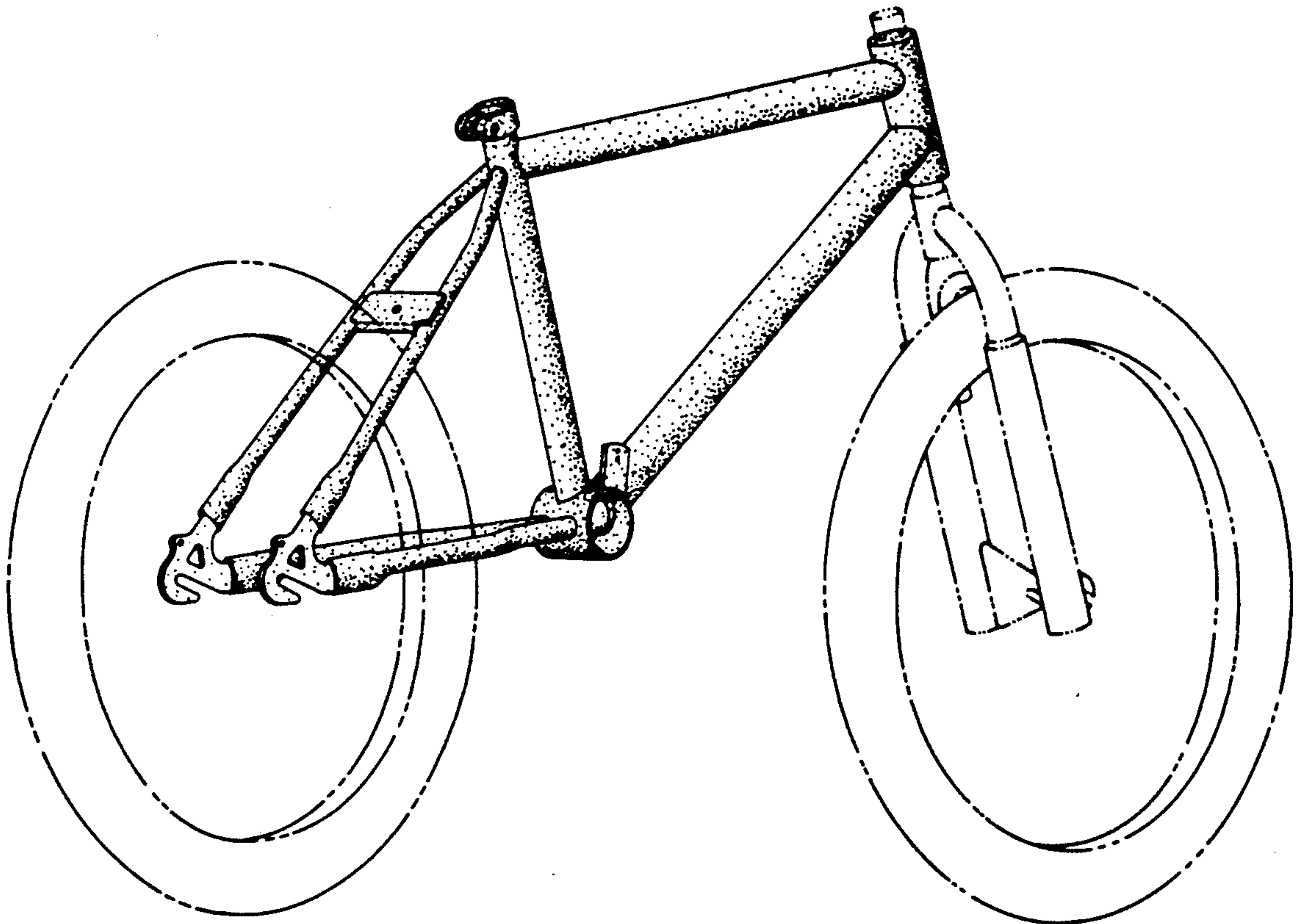
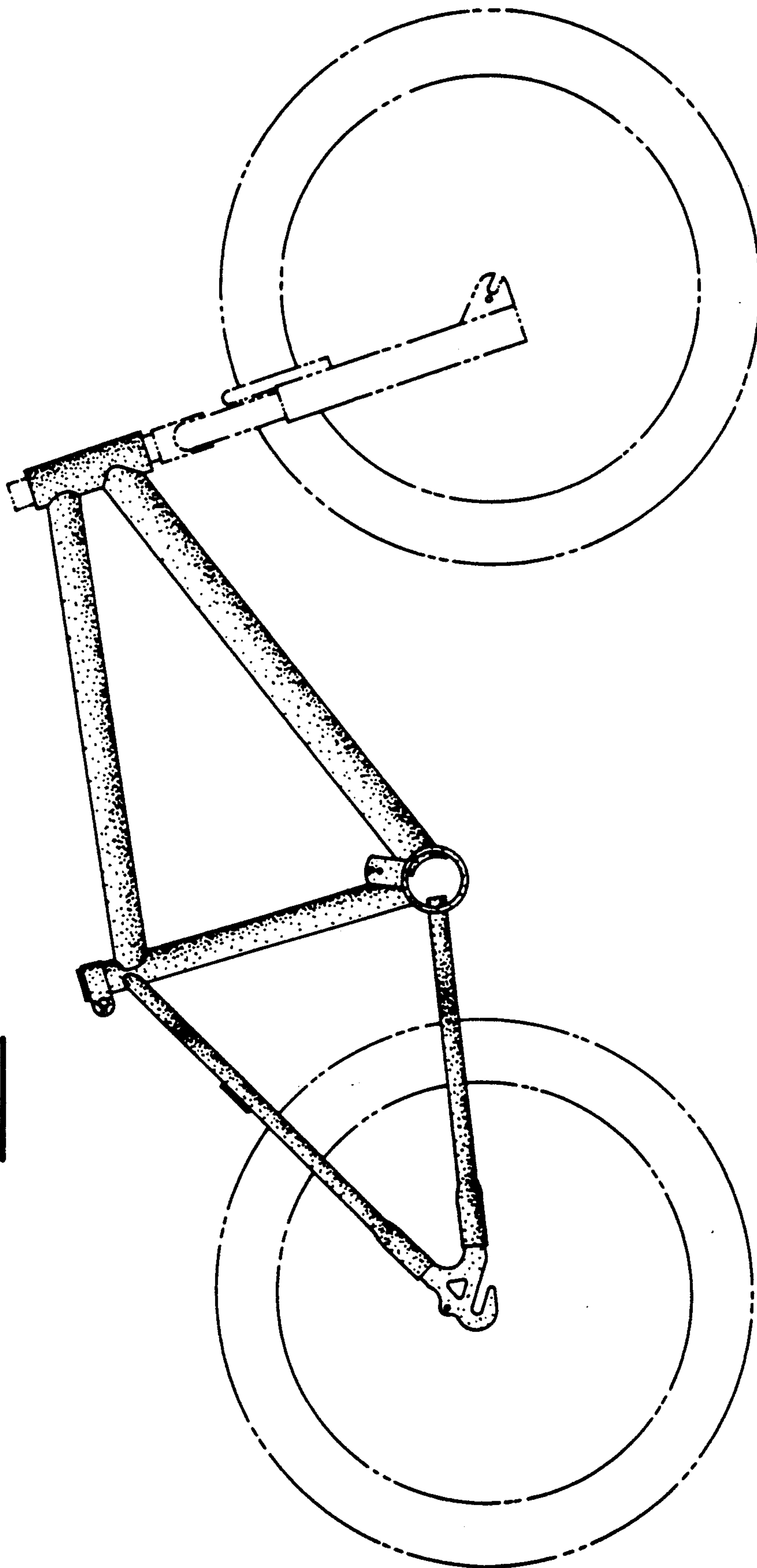


FIG. 1



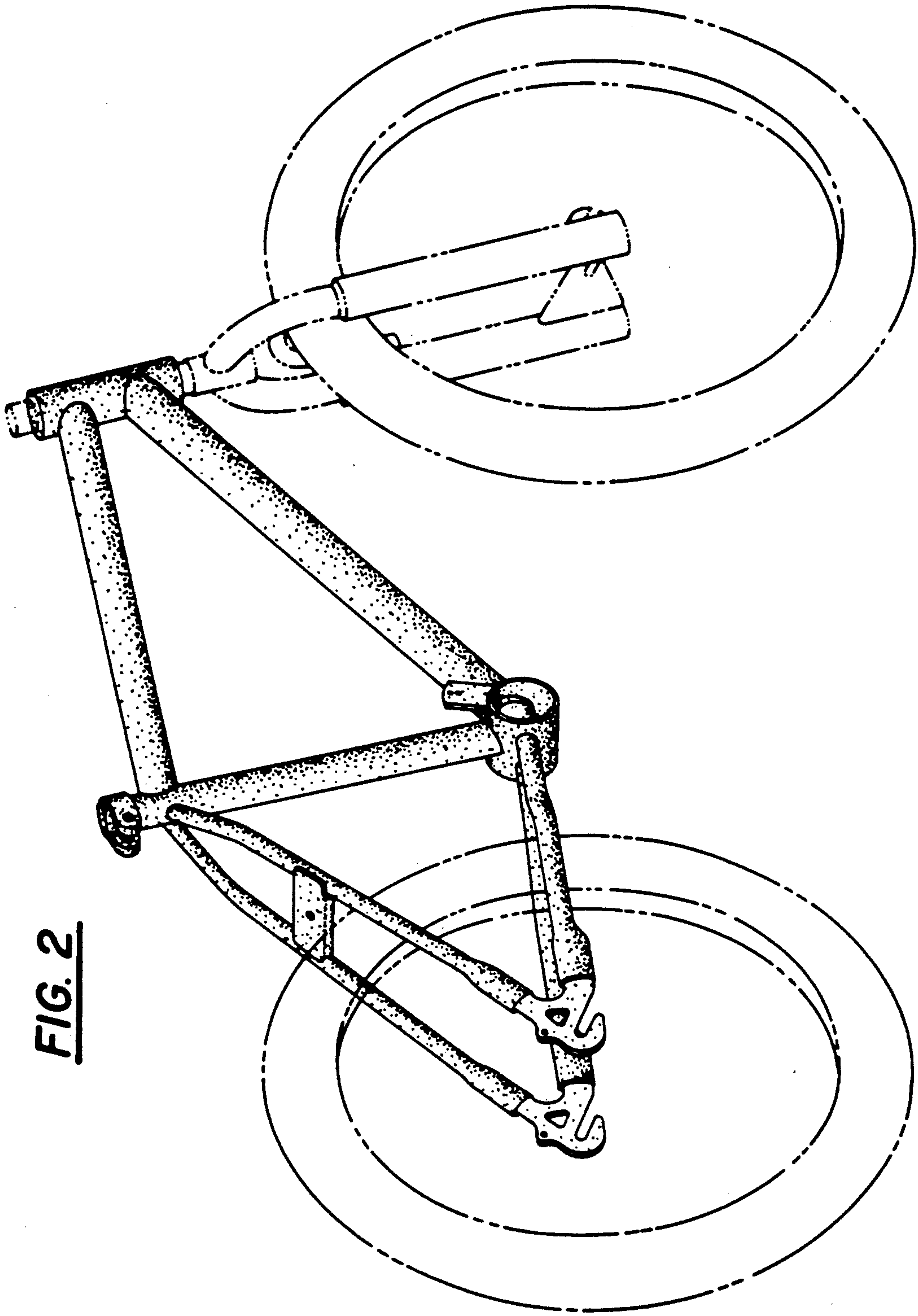


FIG. 2

FIG. 3

