



US00D343144S

United States Patent [19]

[11] Patent Number: Des. 343,144

Matoba

[45] Date of Patent: ** Jan. 11, 1994

[54] **BUCKLE**

[75] Inventor: **Hiroshi Matoba**, Toyama, Japan

[73] Assignee: **Yoshida Kogyo K.K.**, Tokyo, Japan

[**] Term: **14 Years**

[21] Appl. No.: **861,716**

[22] Filed: **Apr. 1, 1992**

[52] U.S. Cl. **D11/216**

[58] Field of Search 24/574, 633, 573, 631, 24/641, 616, 170, 305, 200; 297/467; D11/200-201, 214-216, 218, 231

[56] **References Cited**

U.S. PATENT DOCUMENTS

- D. 303,233 9/1989 Jang D1/216
- D. 312,430 11/1990 Crowle D11/216
- 5,170,539 12/1992 Lundstedt et al. 24/196

Primary Examiner—A. Hugo Word

Assistant Examiner—R. Seifert

Attorney, Agent, or Firm—Hill, Steadman & Simpson

[57] **CLAIM**

The ornamental design for a buckle, as shown.

DESCRIPTION

- FIG. 1 is a front view of a buckle;
- FIG. 2 is a rear view of the buckle of FIG. 1;
- FIG. 3 is a plan view of the buckle of FIG. 1;
- FIG. 4 is a base view of the buckle of FIG. 1;
- FIG. 5 is a right side view of the buckle of FIG. 1;

FIG. 6 is a cross-sectional view taken on line 6—6 of FIG. 1;

FIG. 7 is a front view of a male member of the buckle of FIG. 1;

FIG. 8 is a rear view of the male member of FIG. 7;

FIG. 9 is a plan view of the male member of FIG. 7;

FIG. 10 is a rear view of the male member of FIG. 7;

FIG. 11 is a right side view of the male member of FIG. 7;

FIG. 12 is a cross-sectional view taken on line 12—12 of FIG. 7;

FIG. 13 is a front view of the female member of the buckle of FIG. 1;

FIG. 14 is a rear view of the female member of FIG. 13;

FIG. 15 is a plan view of the female member of FIG. 13;

FIG. 16 is a base view of the female member of FIG. 13;

FIG. 17 is a right side view of the female member of FIG. 13;

FIG. 18 is a cross-sectional view taken on line 18—18 of FIG. 13;

FIG. 19 is a cross-sectional view taken on line 19—19 of FIG. 17;

FIG. 20 is a cross-sectional view of the buckle of FIG. 1 showing it attached to associated belts;

FIG. 21 is a perspective view of the buckle of FIG. 1 shown in uncoupled disposition; and,

FIG. 22 is a perspective view of the buckle of FIG. 1 shown in coupled disposition.

The broken line showing of partial straps is for illustrative purposes only and forms no part of the claimed design.

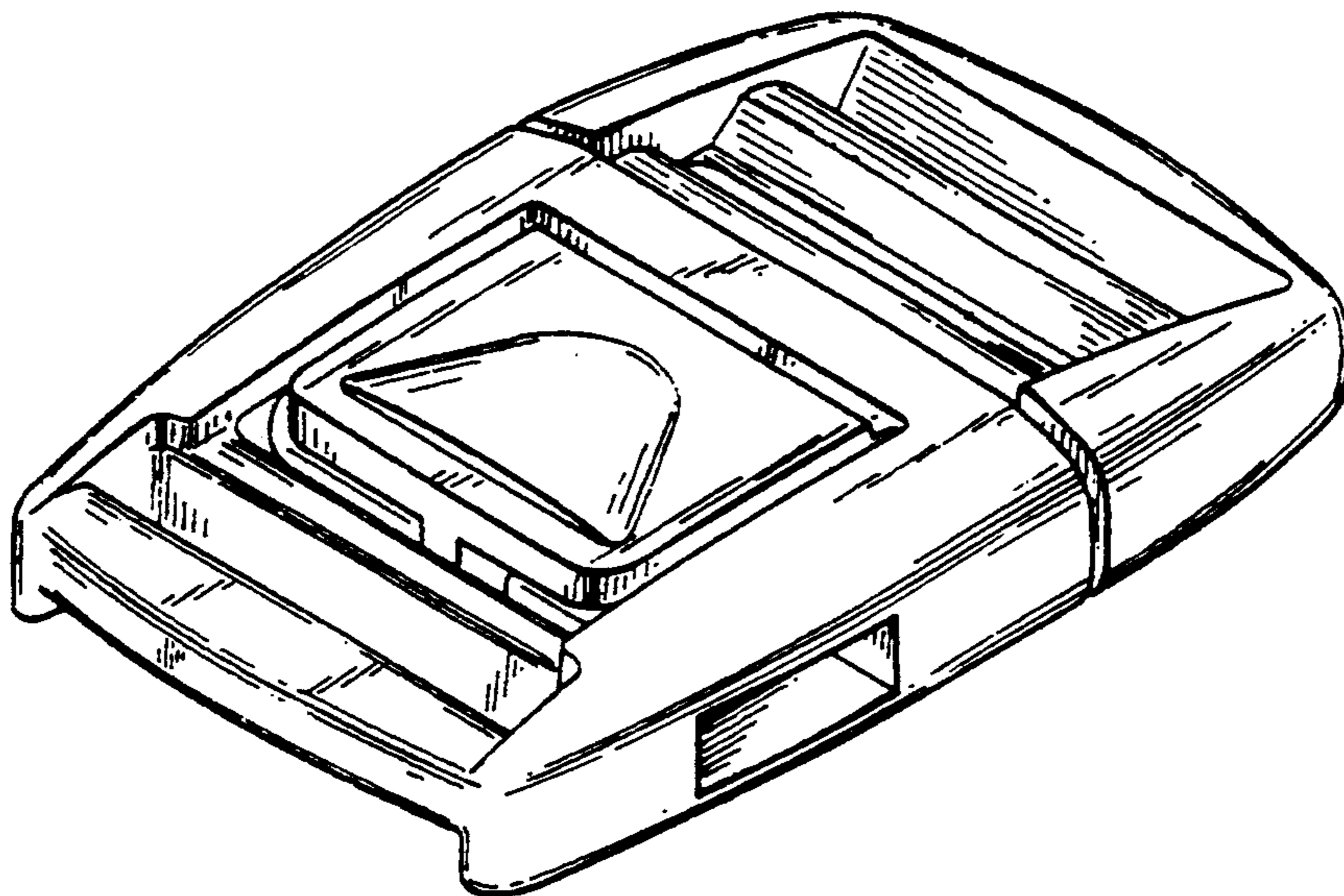
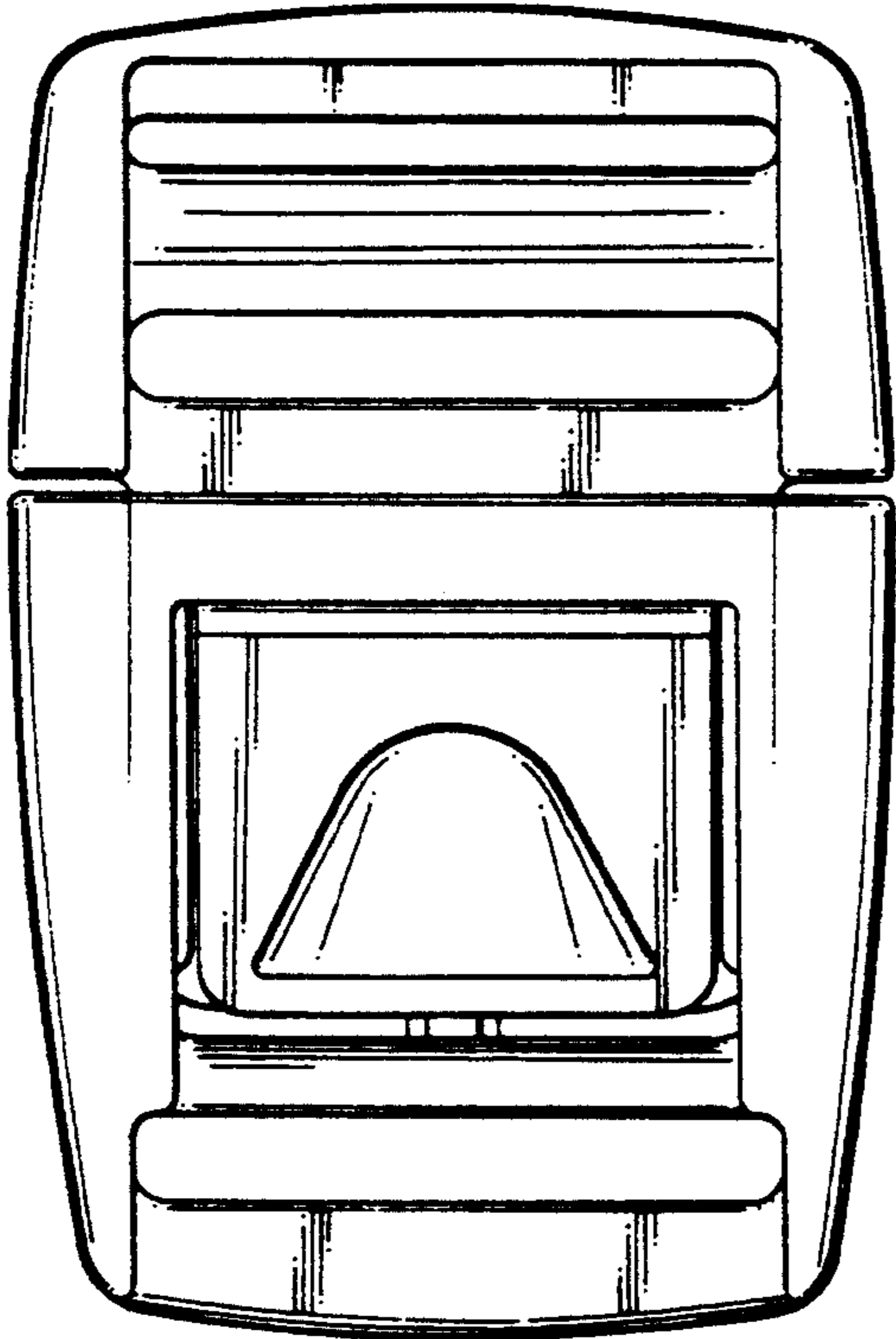


FIG. 1

6-7



6-1

FIG. 2

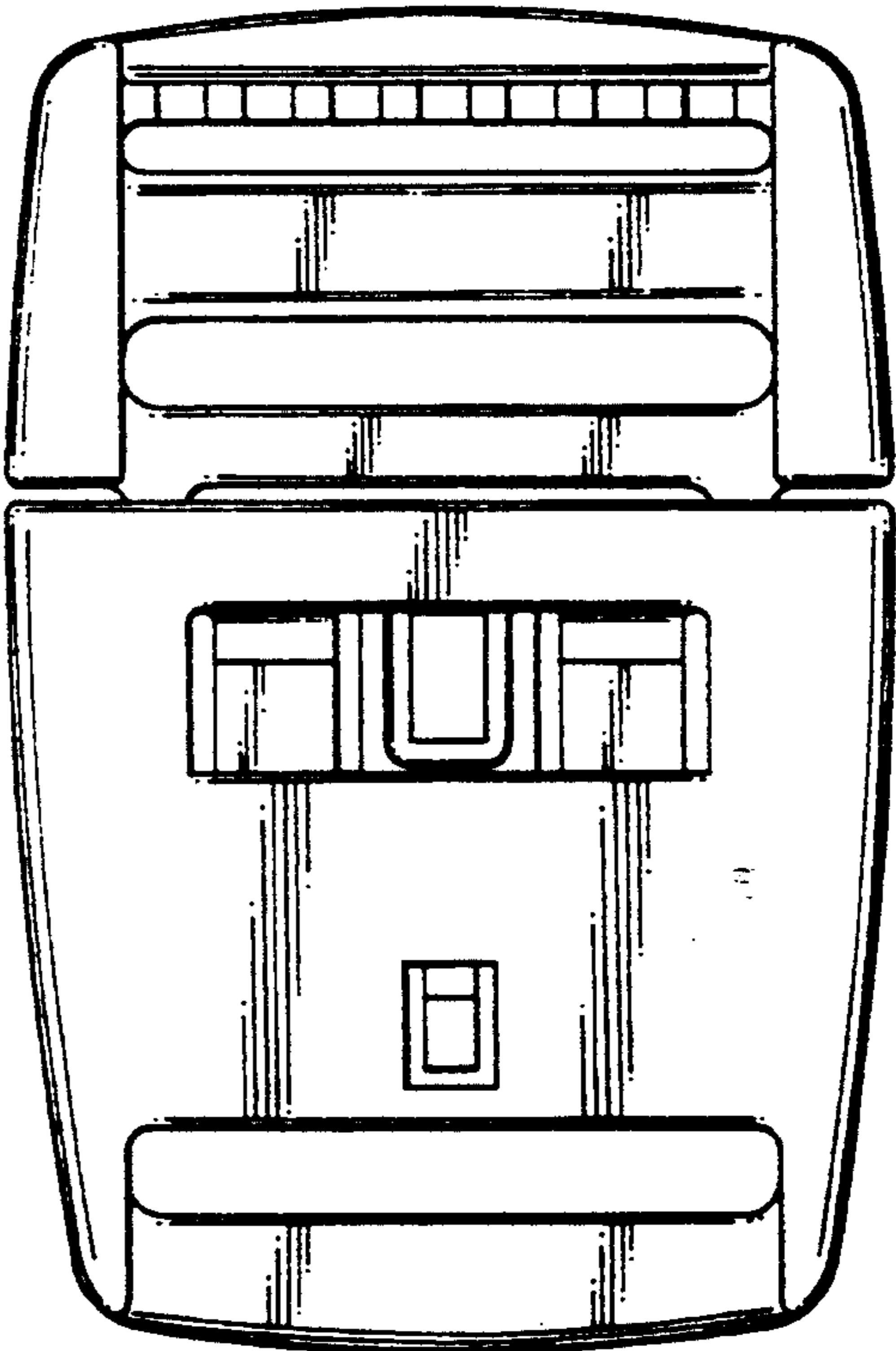


FIG. 3

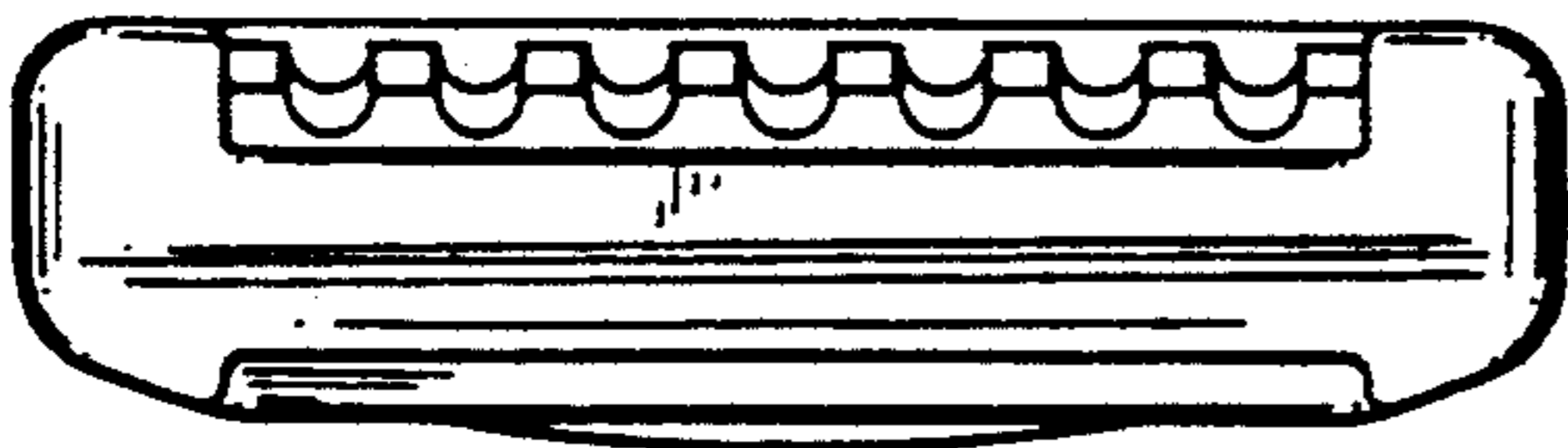


FIG. 4

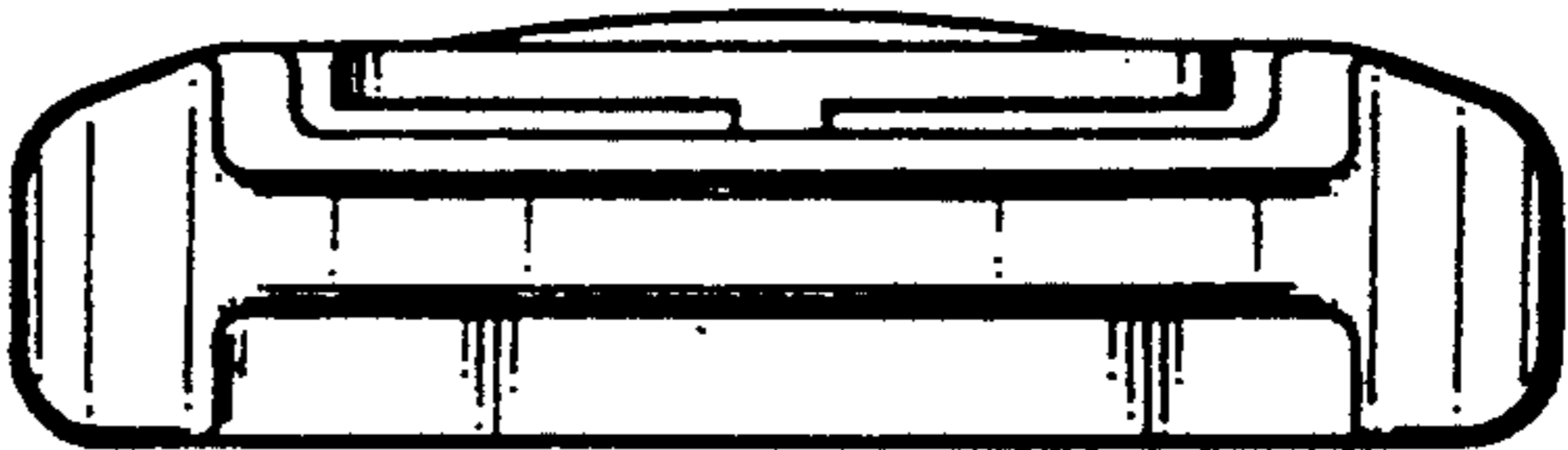


FIG. 5

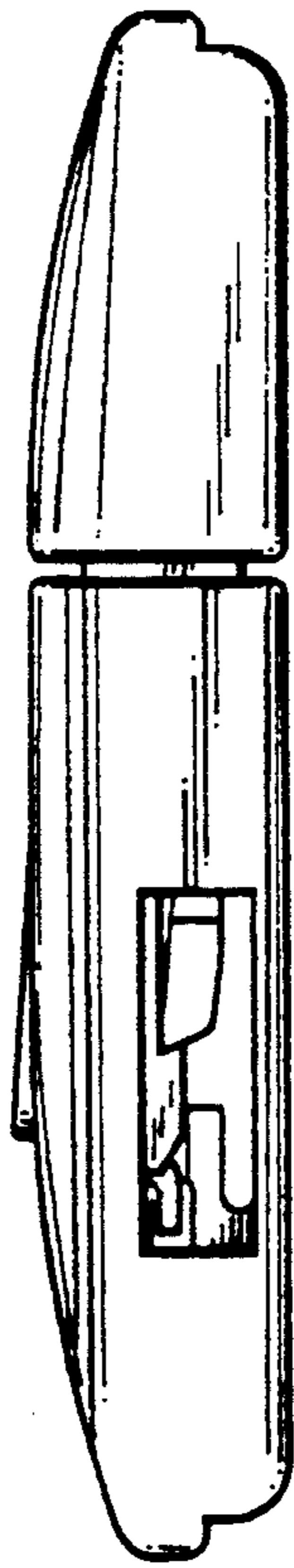


FIG. 6

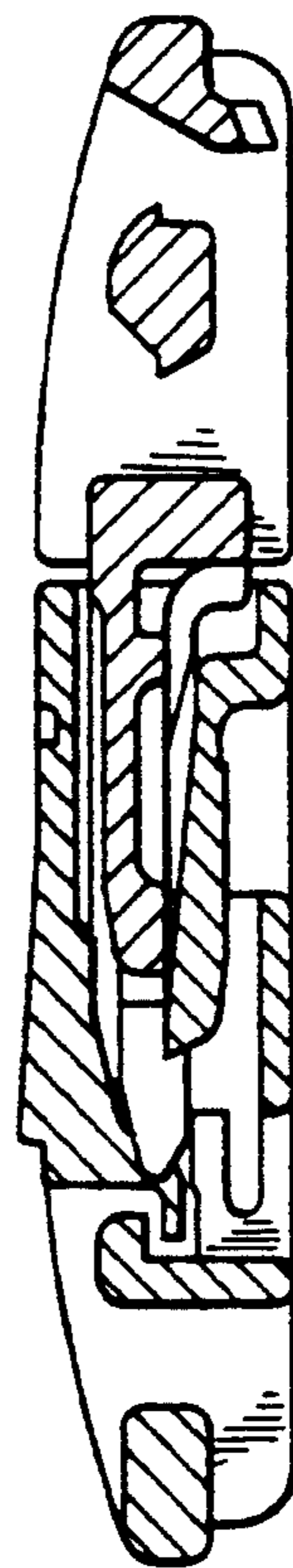


FIG. 7

12-j

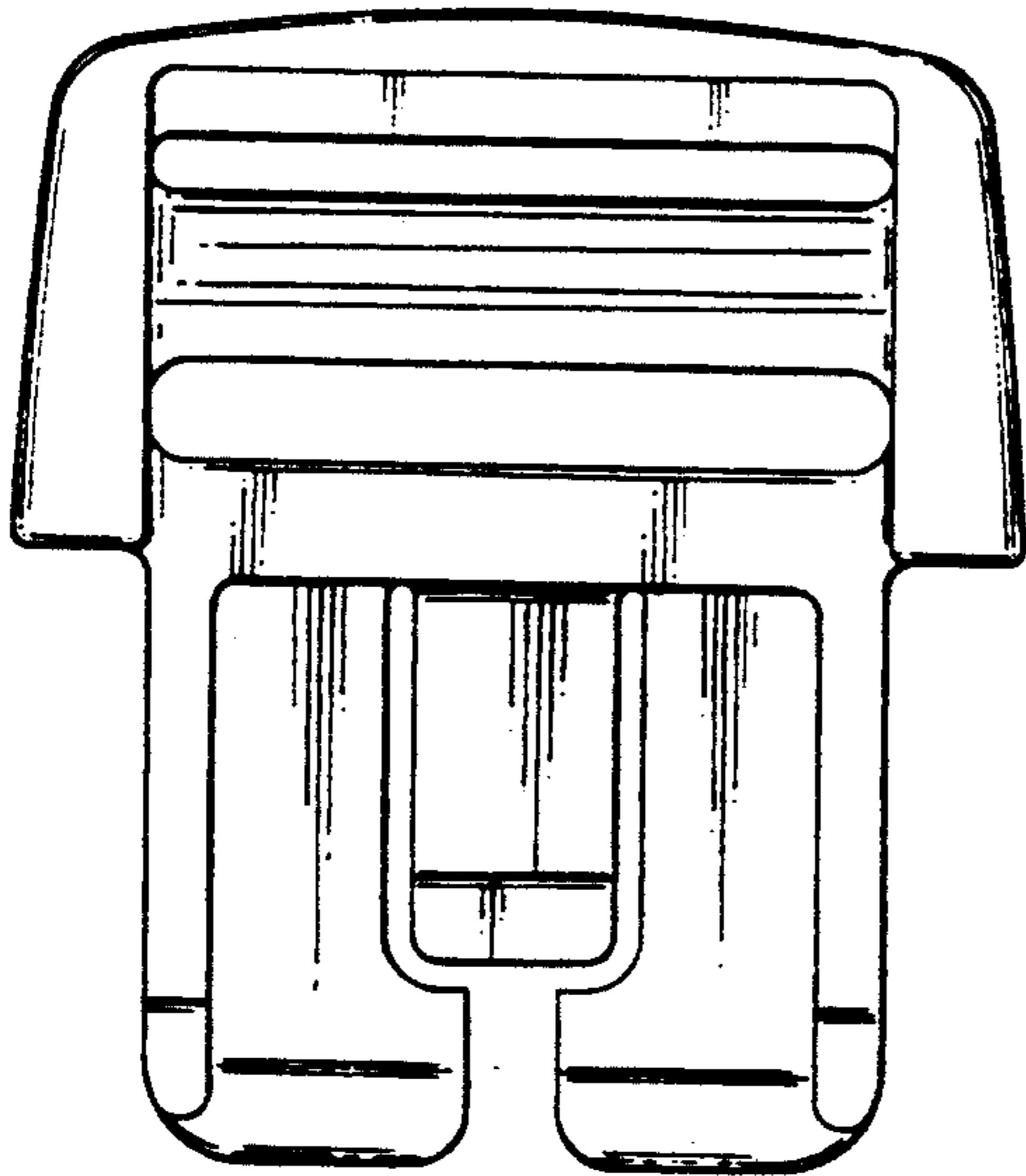
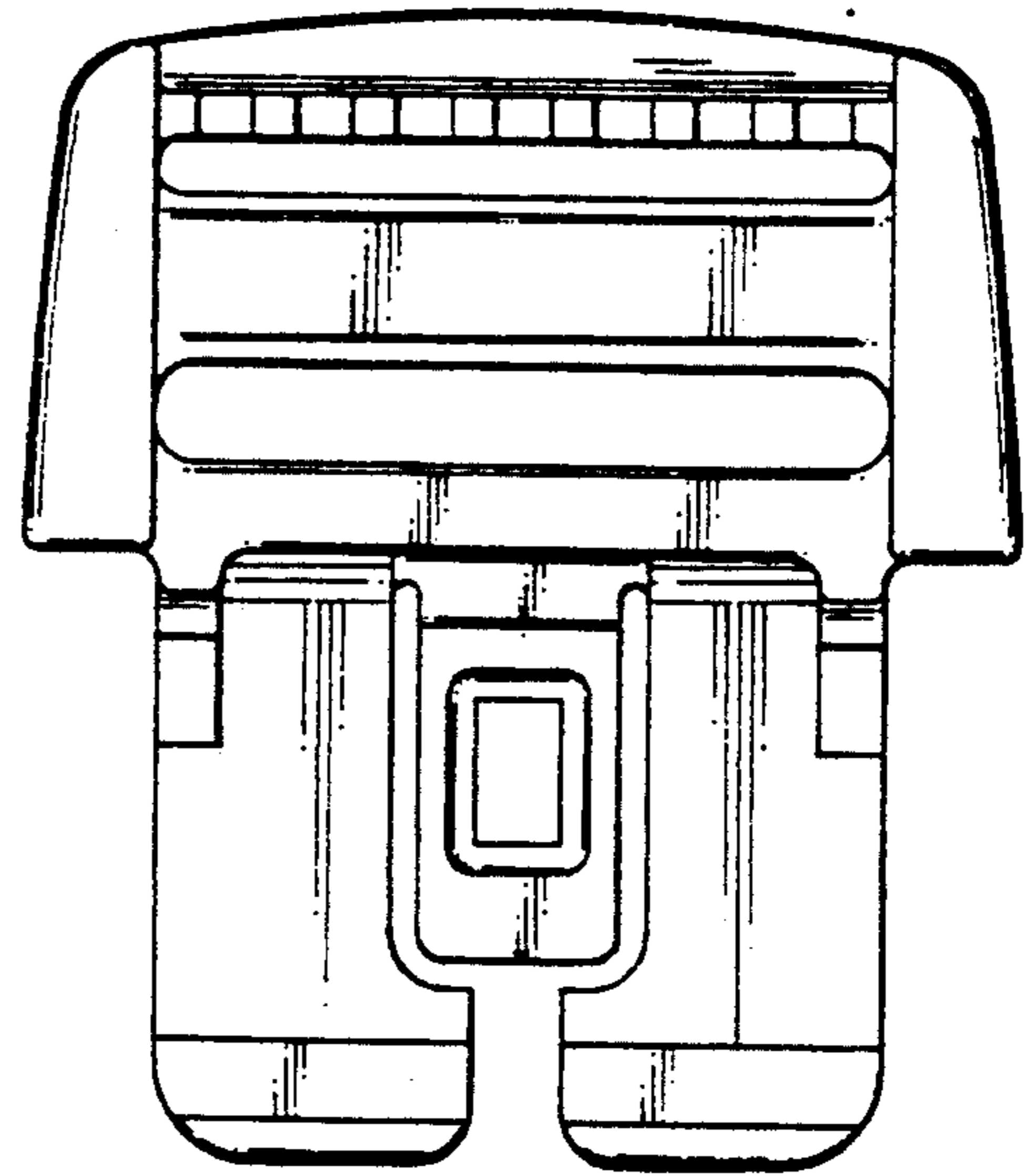


FIG. 8



12-i

FIG. 9

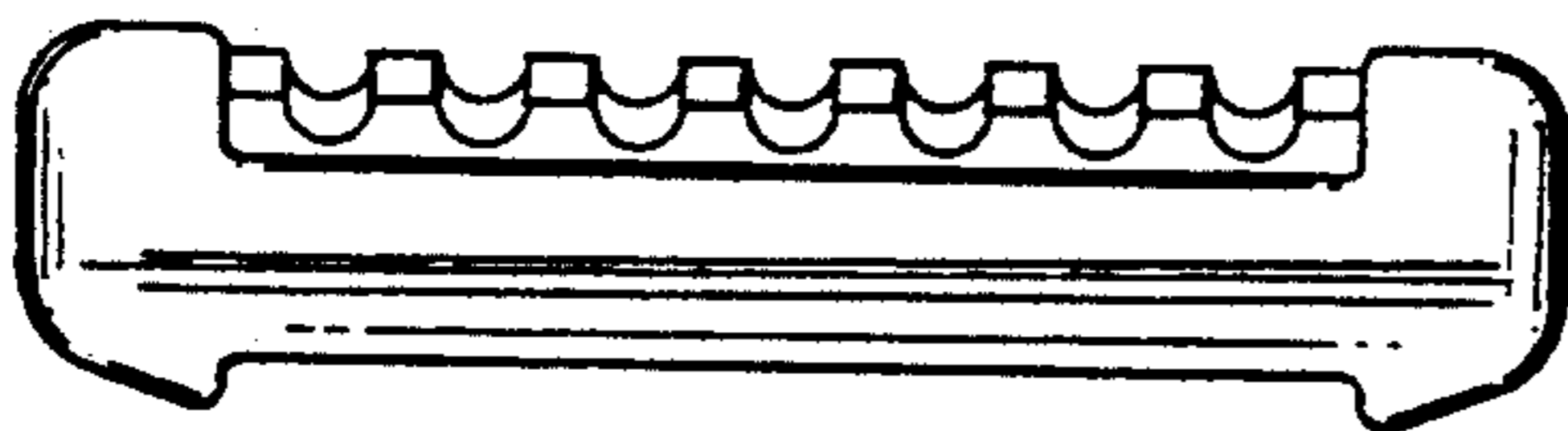


FIG. 10

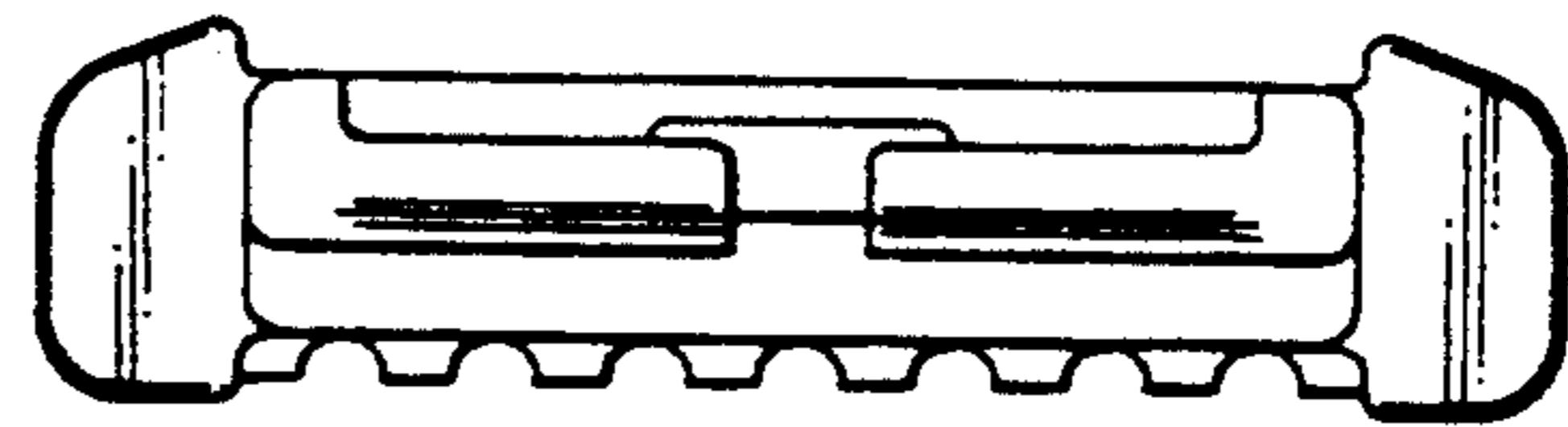


FIG. 11

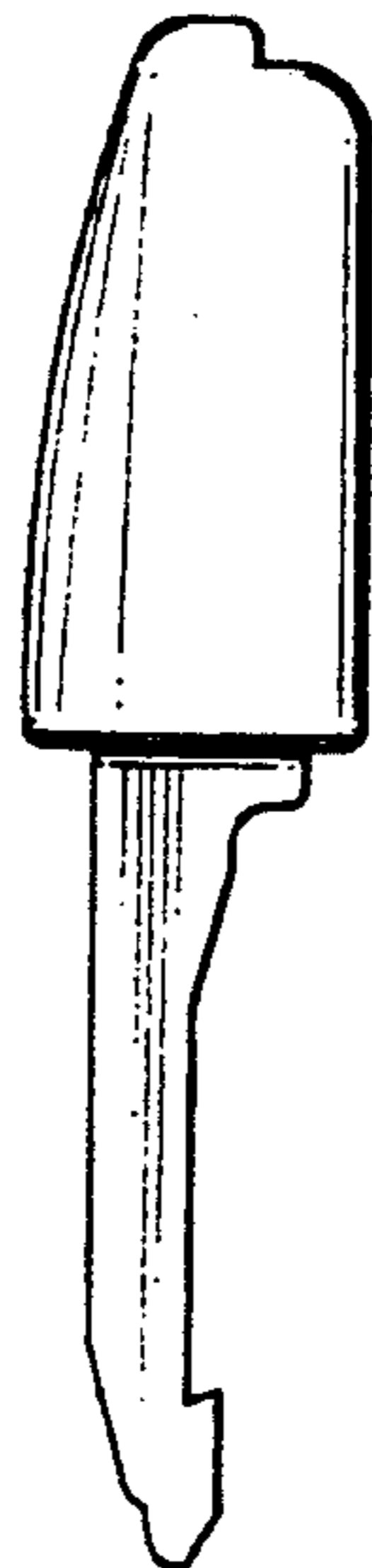


FIG. 12

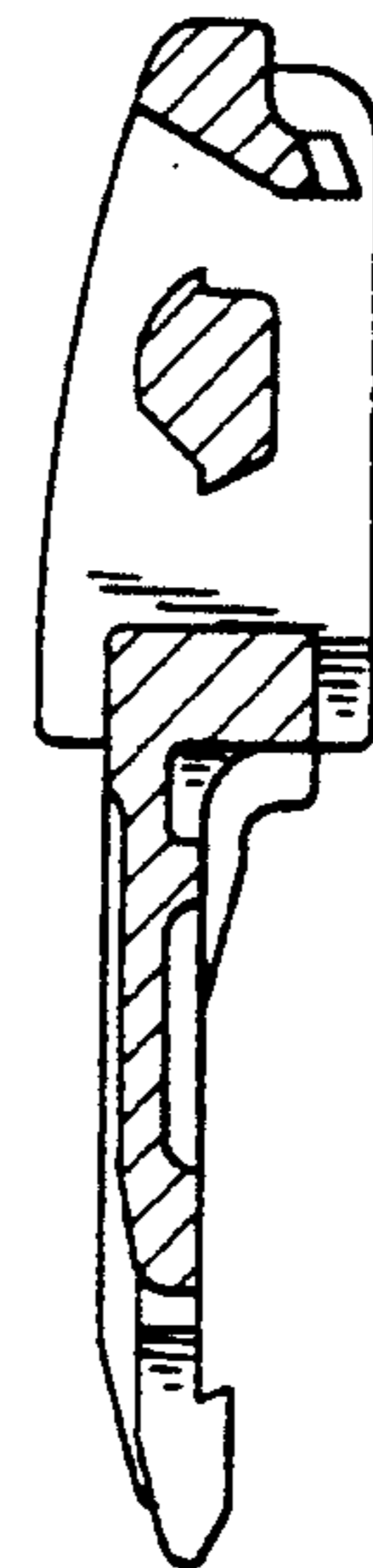
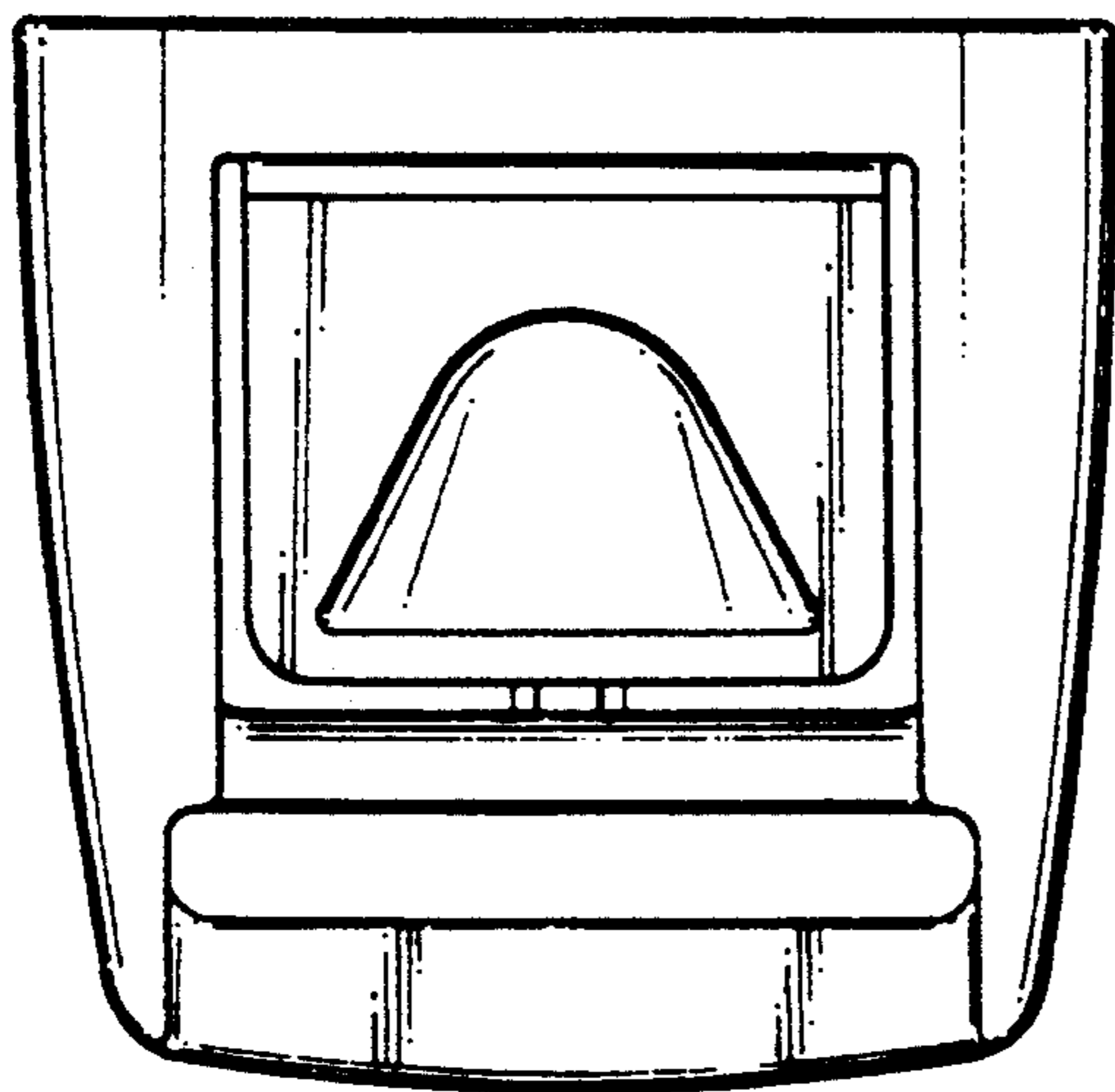


FIG. 13

18 ↗



18 ↘

FIG. 14

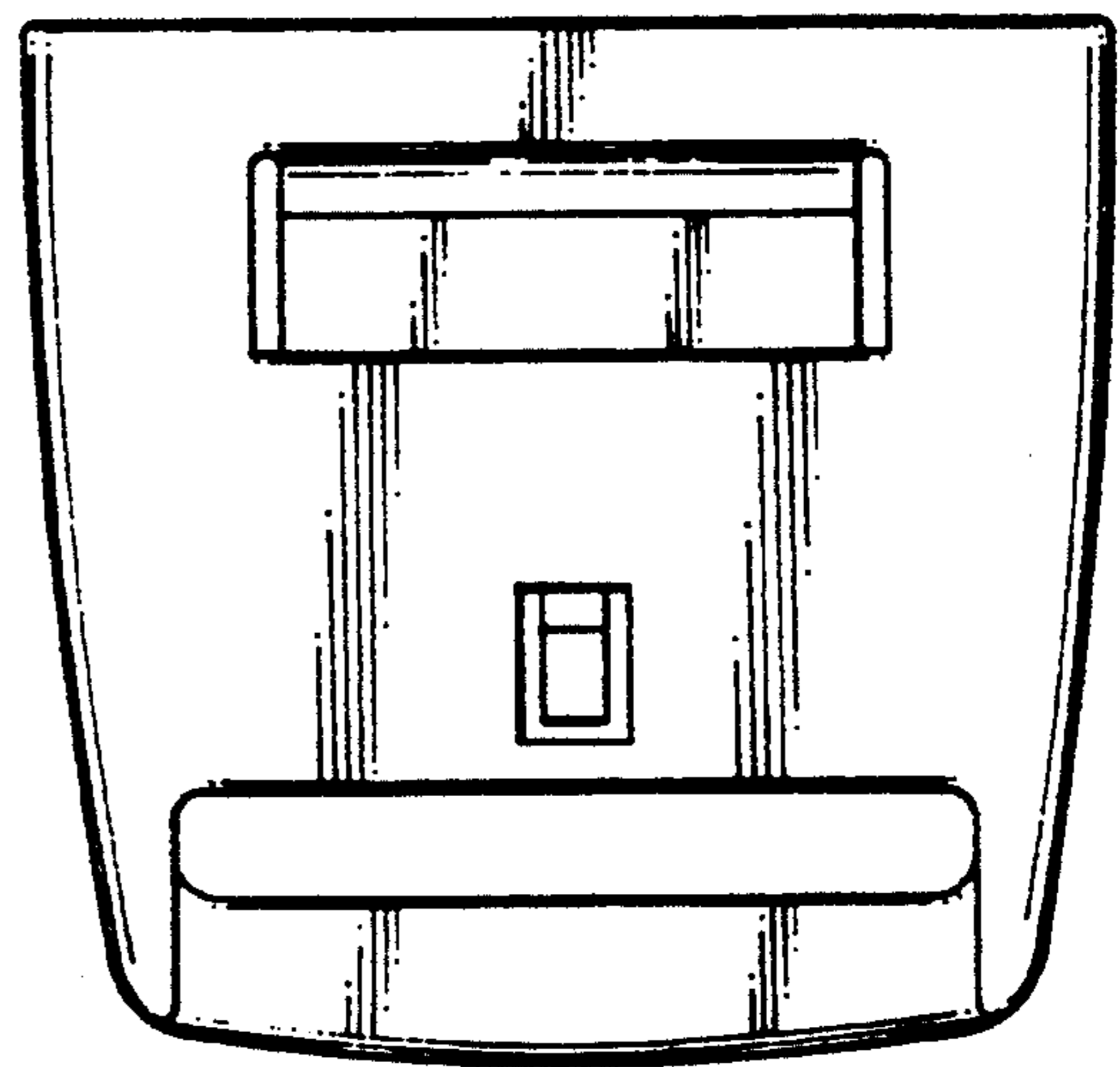


FIG. 15

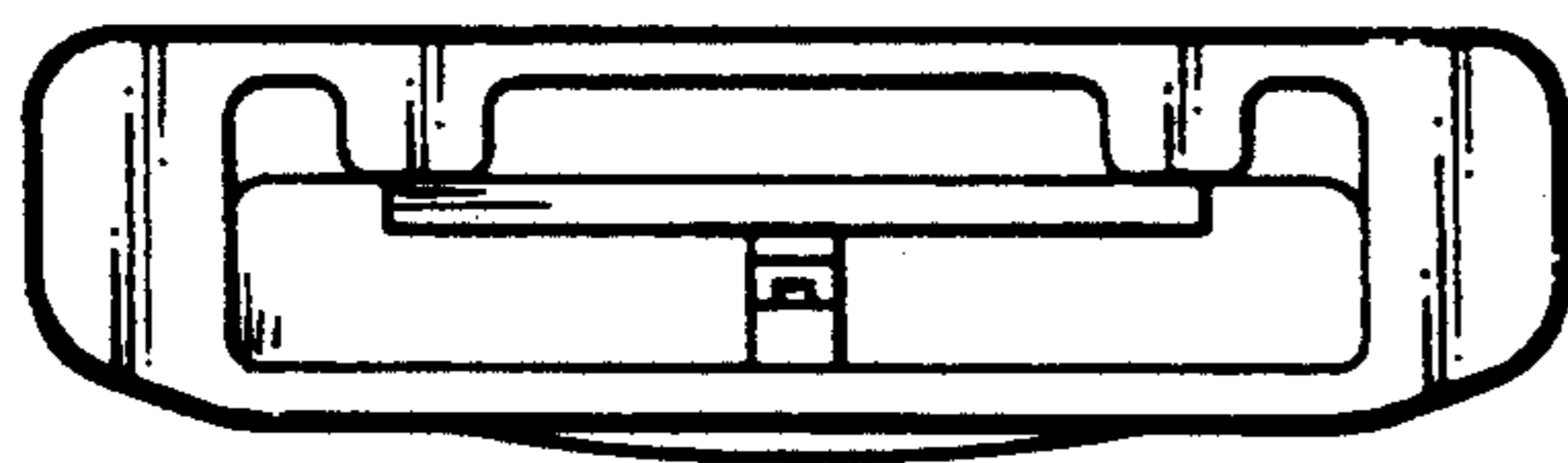


FIG. 16

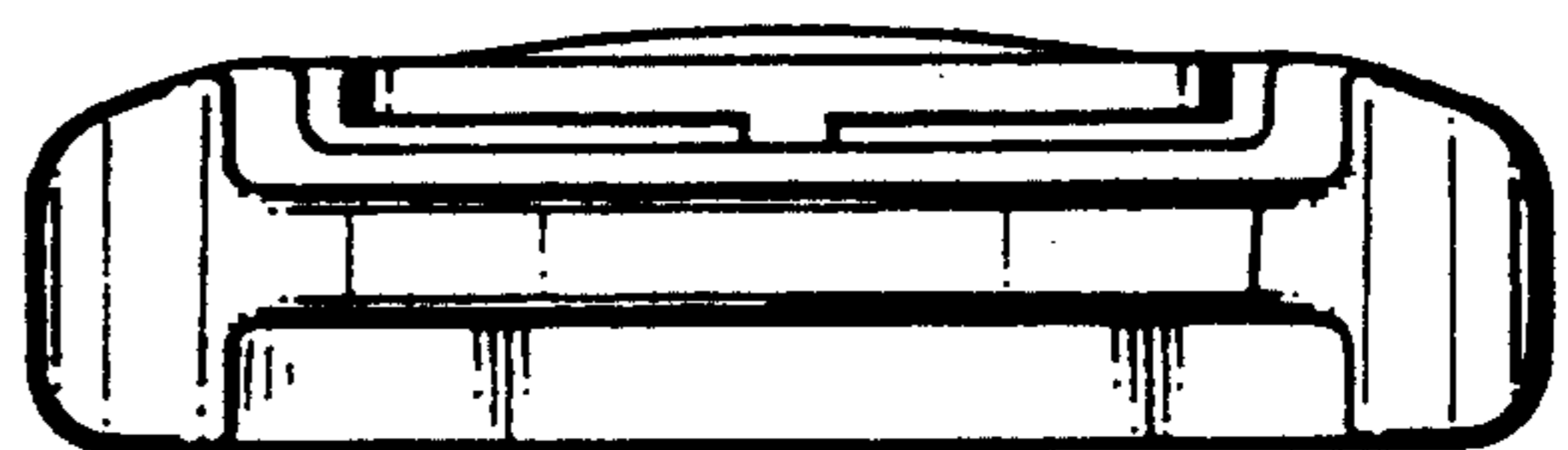


FIG. 17

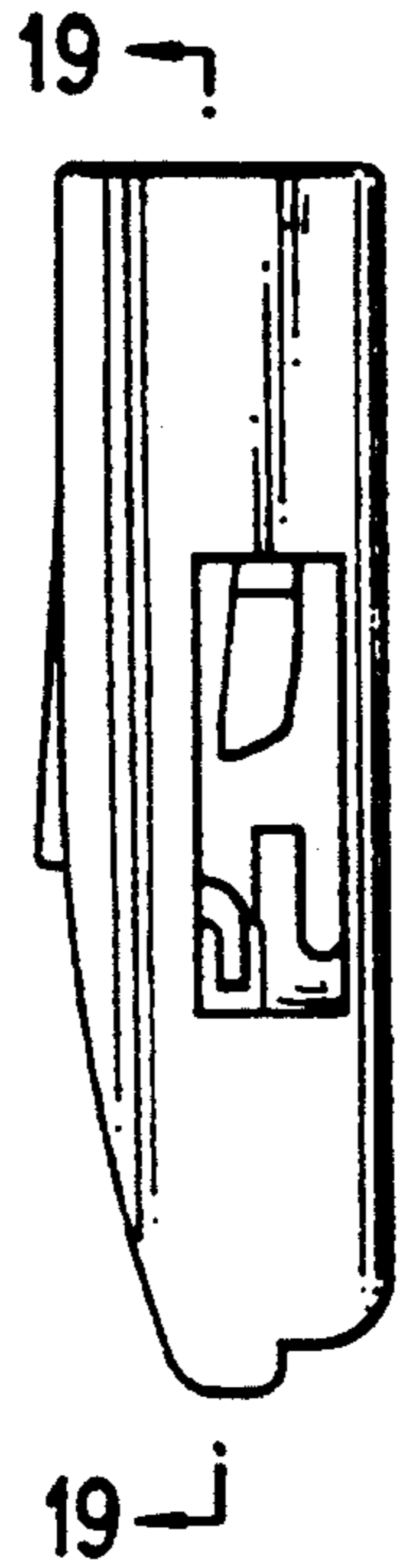


FIG. 18

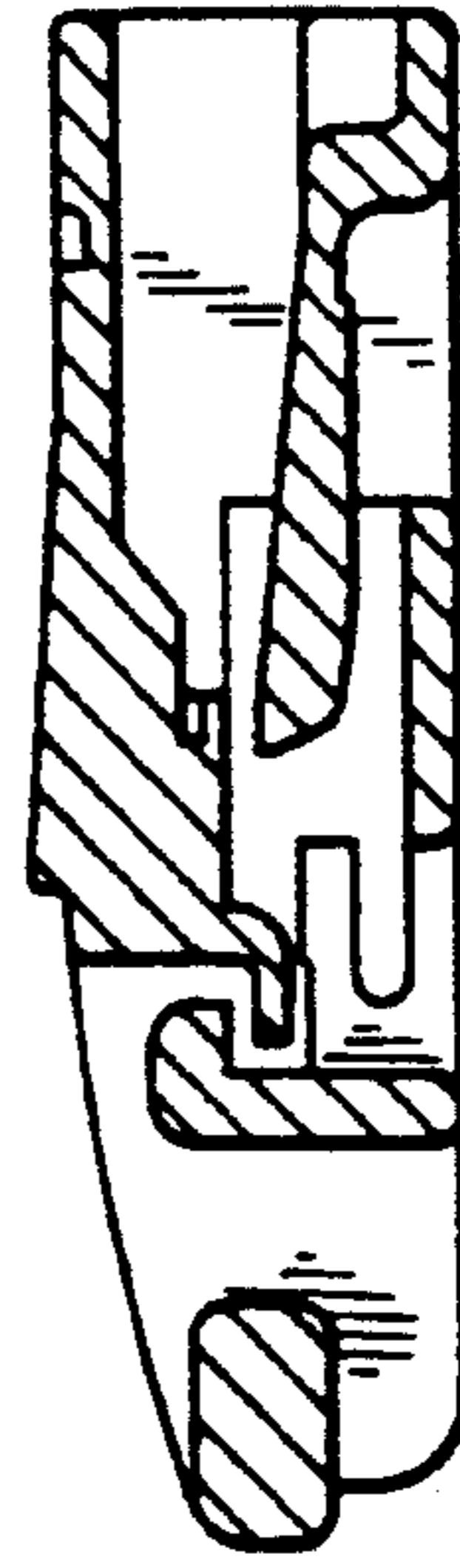


FIG. 19

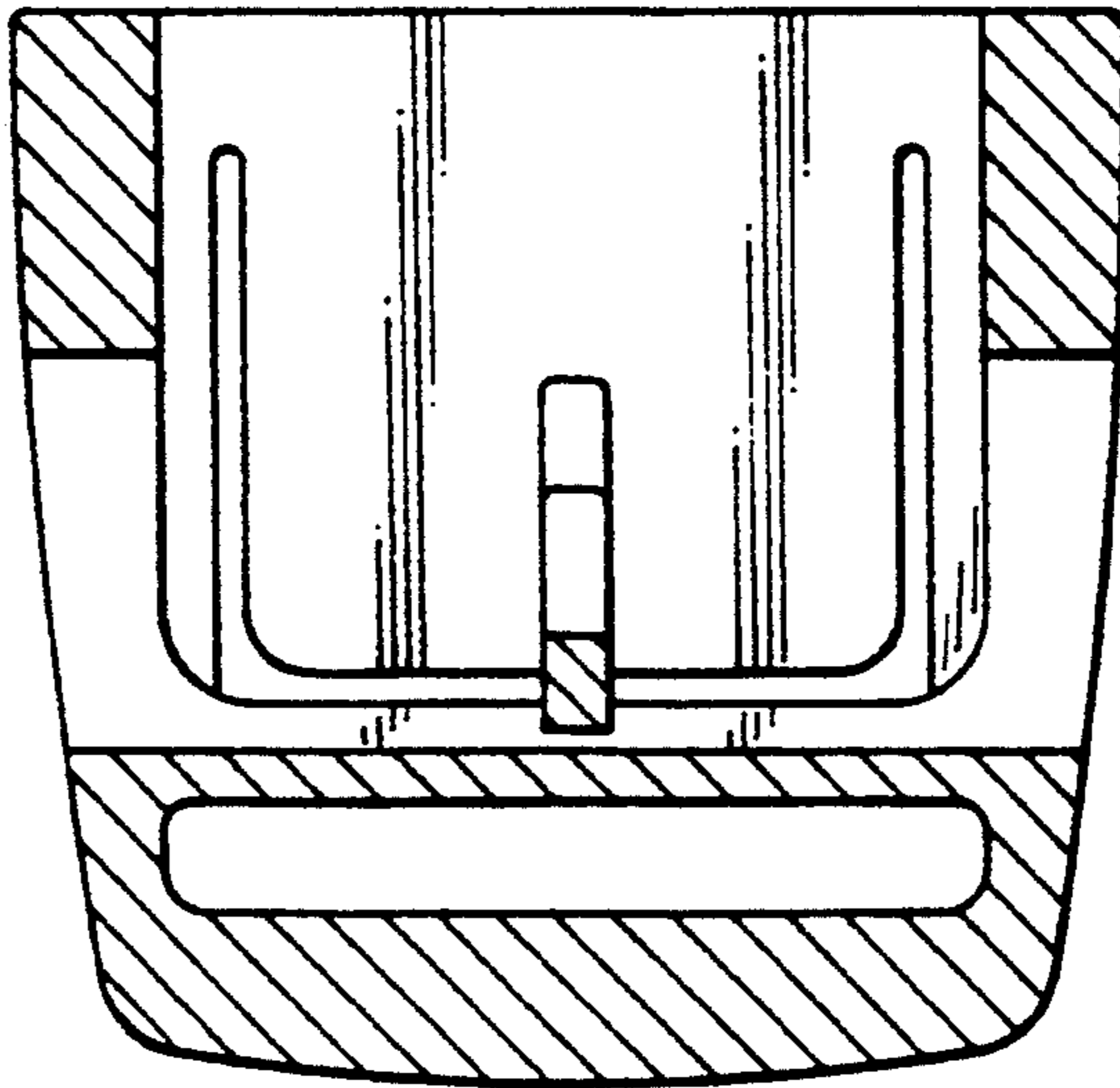
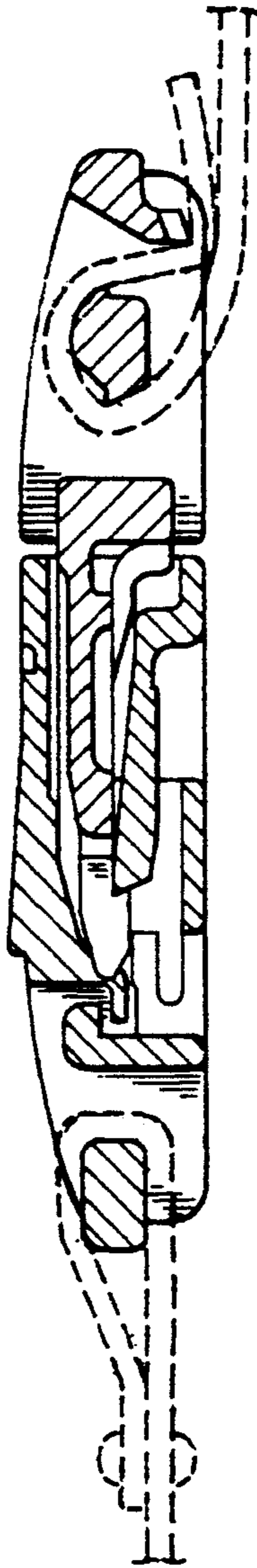


FIG. 20



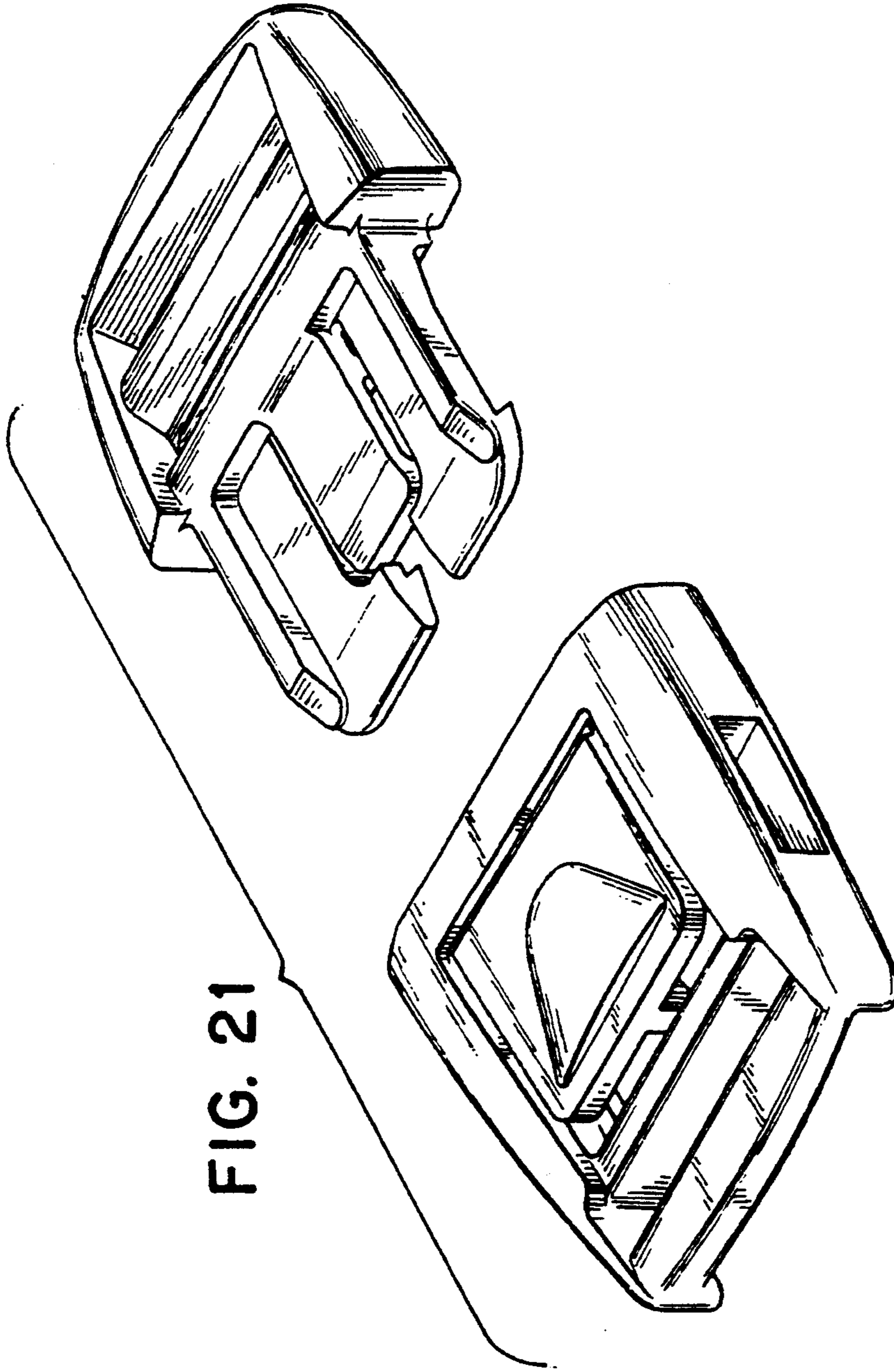


FIG. 21

FIG. 22

