



US00D343132S

United States Patent [19]

[11] Patent Number: **Des. 343,132**

Vogel

[45] Date of Patent: **** Jan. 11, 1994**

[54] SCALE

[75] Inventor: **Sönke Vogel, Hamburg, Fed. Rep. of Germany**

[73] Assignee: **Seca GmbH, Hamburg, Fed. Rep. of Germany**

[**] Term: **14 Years**

[21] Appl. No.: **887,326**

[22] Filed: **May 22, 1992**

Related U.S. Application Data

[62] Division of Ser. No. 554,573, Jul. 17, 1990.

[30] Foreign Application Priority Data

Jan. 18, 1990 [DE] Fed. Rep. of Germany 9000260

[52] U.S. Cl. **D10/92**

[58] Field of Search 177/126, 127, 208, 211,
177/238, 239, 240, 241, 242, 243, DIG. 010.38;
D10/83, 84, 87-95

[56] References Cited

U.S. PATENT DOCUMENTS

D. 303,097	8/1989	Muller	D10/92
D. 305,992	2/1990	Carnevale et al.	D10/92
D. 307,727	5/1990	Hart et al.	D10/92 X
D. 308,344	6/1990	Naghagawa et al.	D10/92
D. 314,352	2/1991	Gerlach	D10/92
2,039,527	5/1936	Gerbell	177/239 X
2,098,845	11/1937	Weber et al.	177/239 X
4,462,475	7/1984	Kushmuk	177/239 X

Primary Examiner—Alan P. Douglas
Assistant Examiner—Antoine D. Davis
Attorney, Agent, or Firm—Anderson Kill Olick & Oshinsky

[57] CLAIM

The ornamental design for a scale, as shown.

DESCRIPTION

FIG. 1 is a top plan view of a scale showing my new design;

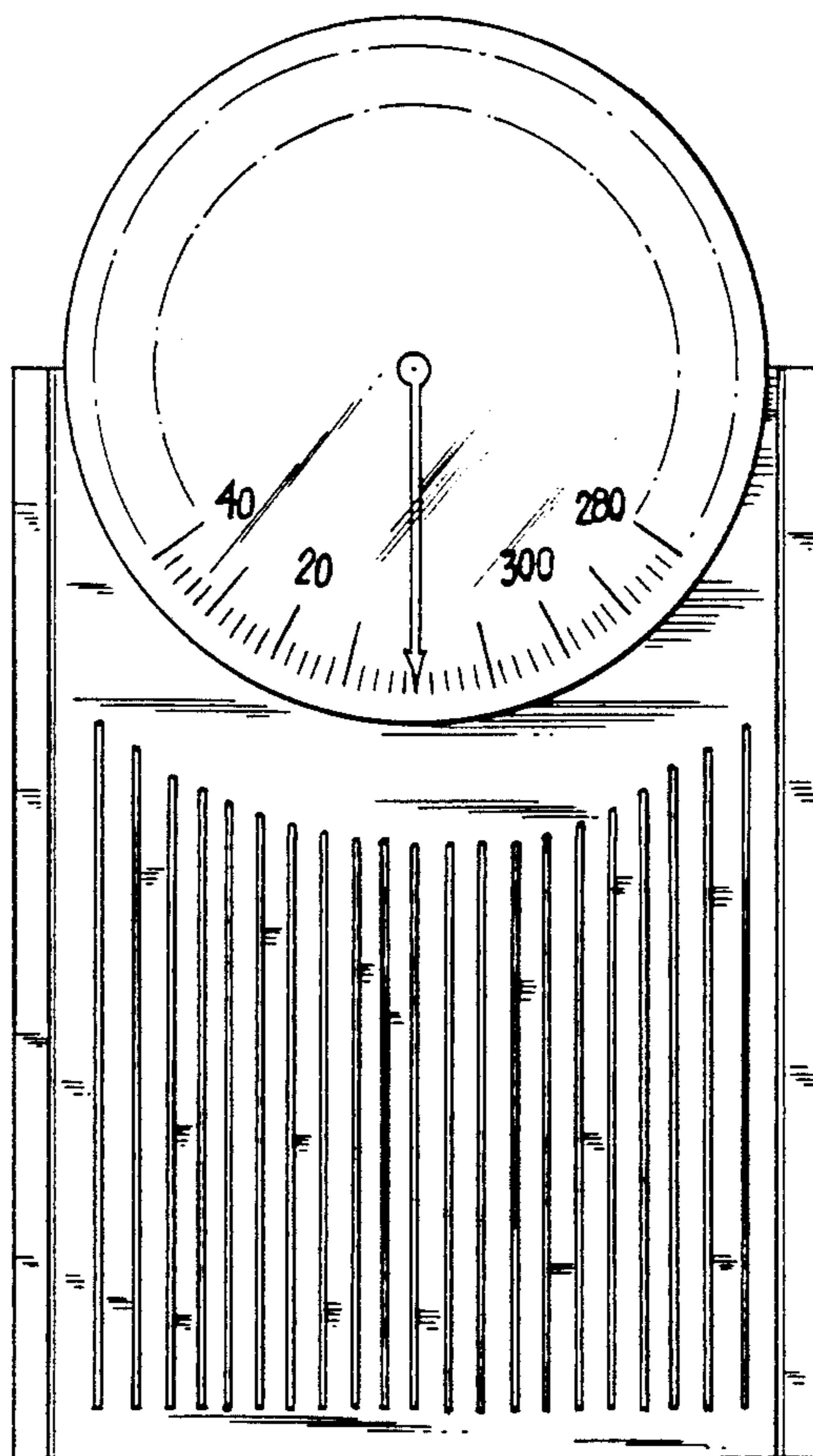
FIG. 2 is a left side elevational view;

FIG. 3 is a right side elevational view;

FIG. 4 is a rear elevational view;

FIG. 5 is a front elevational view; and,

FIG. 6 is a bottom plan view thereof.



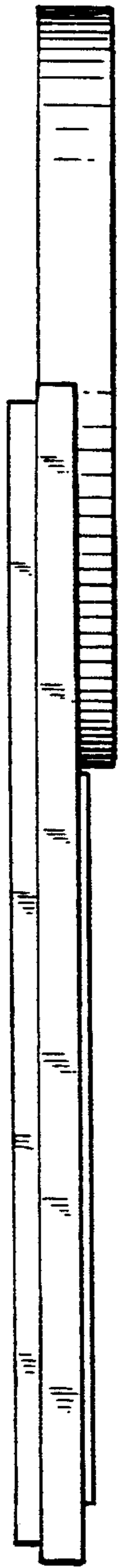


FIG. 2

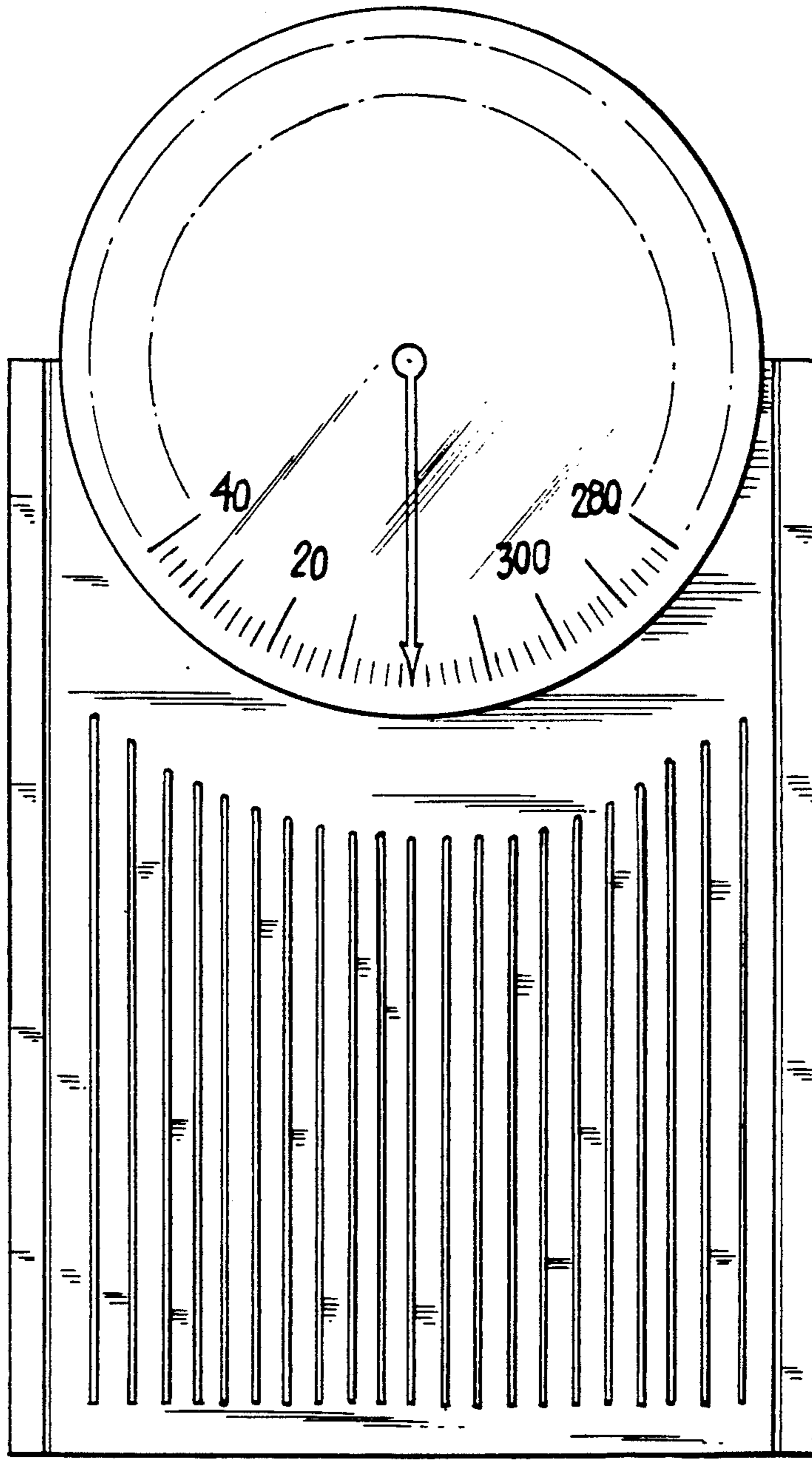


FIG. 1

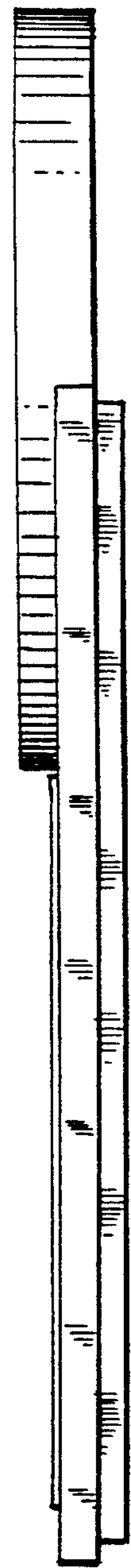


FIG. 3

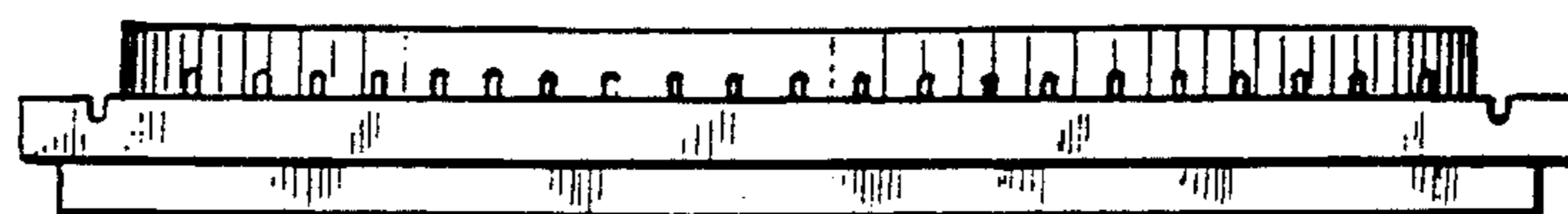


FIG. 4

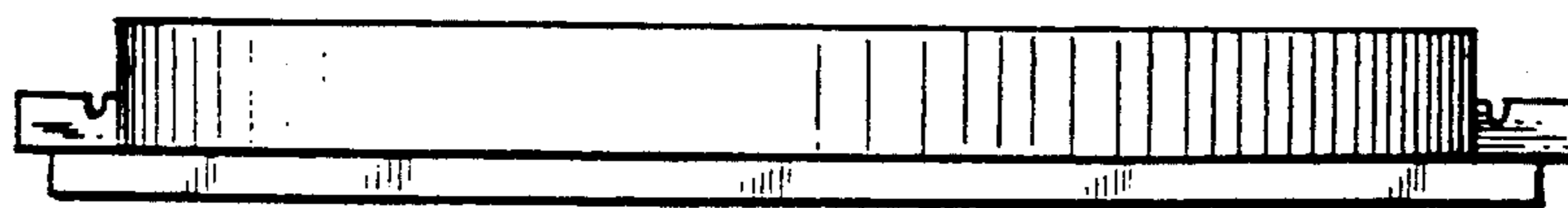


FIG. 5

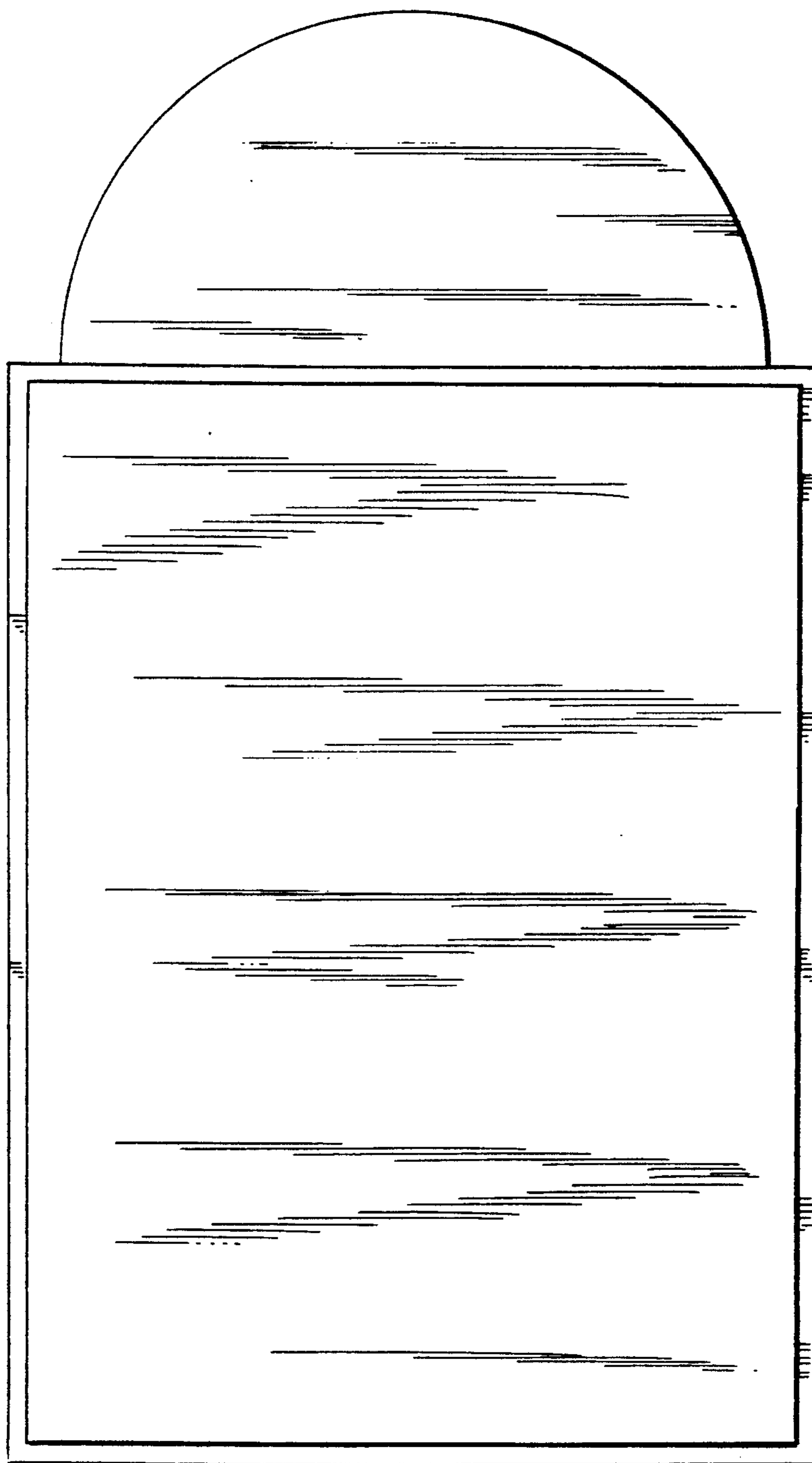


FIG. 6