



US00D343131S

United States Patent [19]

[11] Patent Number: **Des. 343,131**

Self

[45] Date of Patent: **** Jan. 11, 1994**

[54] **UNIVERSALLY DIRECTIONAL LEVEL FOR INSTALLING CEMENT BLOCKS**

Primary Examiner—Nelson C. Holtje
Assistant Examiner—Antoine O. Davis
Attorney, Agent, or Firm—Samuel Kurlandsky

[76] Inventor: **James Self**, 1940 Lakeshore Dr., Fenville, Mich. 49408

[57] **CLAIM**

[**] Term: **14 Years**

The ornamental design for a leveling device, shown and described.

[21] Appl. No.: **864,970**

DESCRIPTION

[22] Filed: **Apr. 7, 1992**

[52] U.S. Cl. **D10/69**

FIG. 1 is a perspective view of a leveling device according to the present new design;

[58] Field of Search 33/404-210; D10/69

FIG. 2 is a side elevational view of the leveling device shown in FIG. 1;

[56] **References Cited**

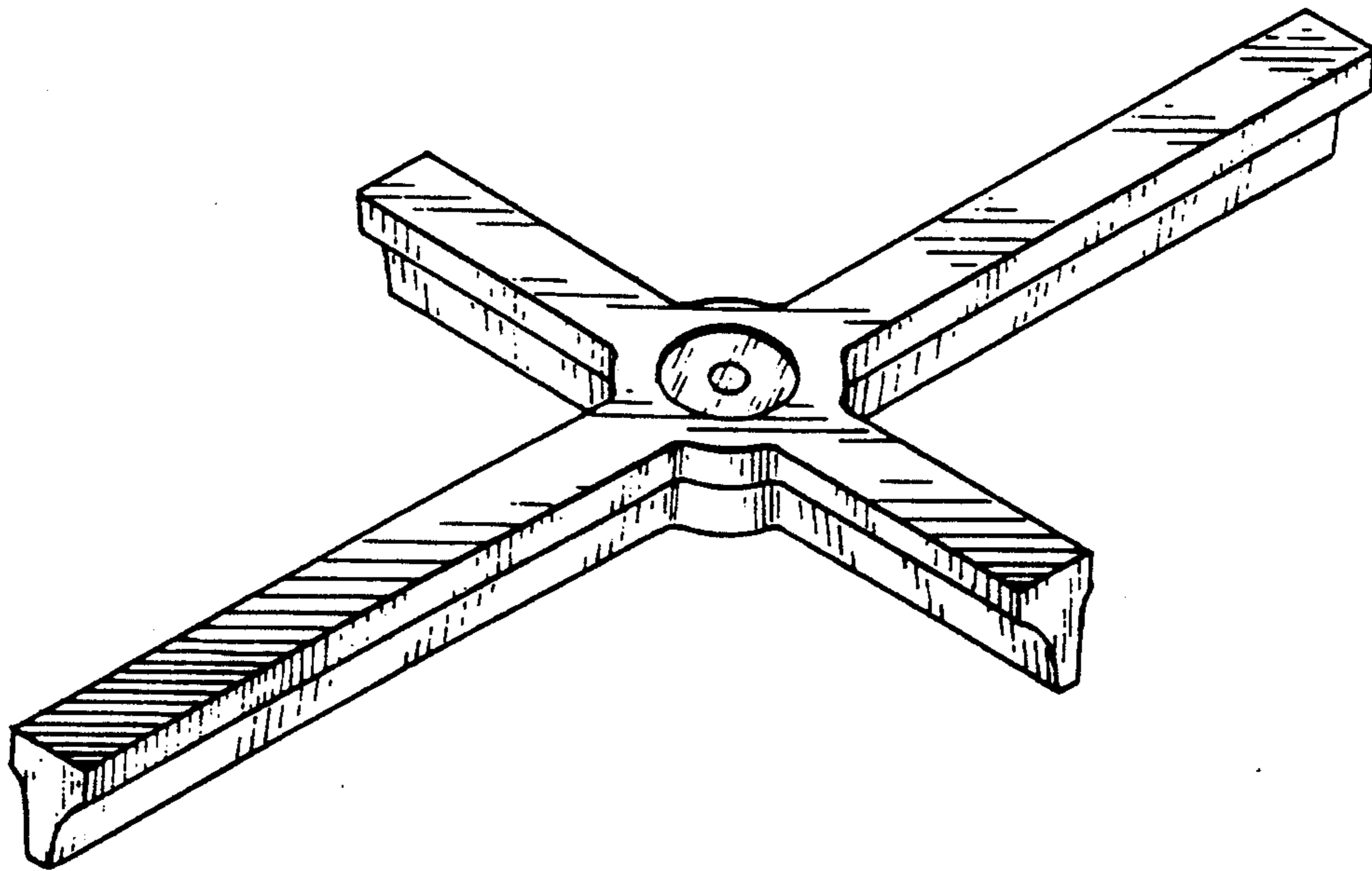
U.S. PATENT DOCUMENTS

D. 247,428	3/1978	Wood	D10/69 X
2,820,302	1/1958	Mitchell	D10/69 X
3,146,529	9/1964	Chamberlin	D10/69 X

FIG. 3 is an end view of the leveling device shown in FIG. 1;

FIG. 4 is a top view of the leveling device shown in FIG. 1, and,

FIG. 5 is a bottom view of the leveling device shown in FIG. 1.



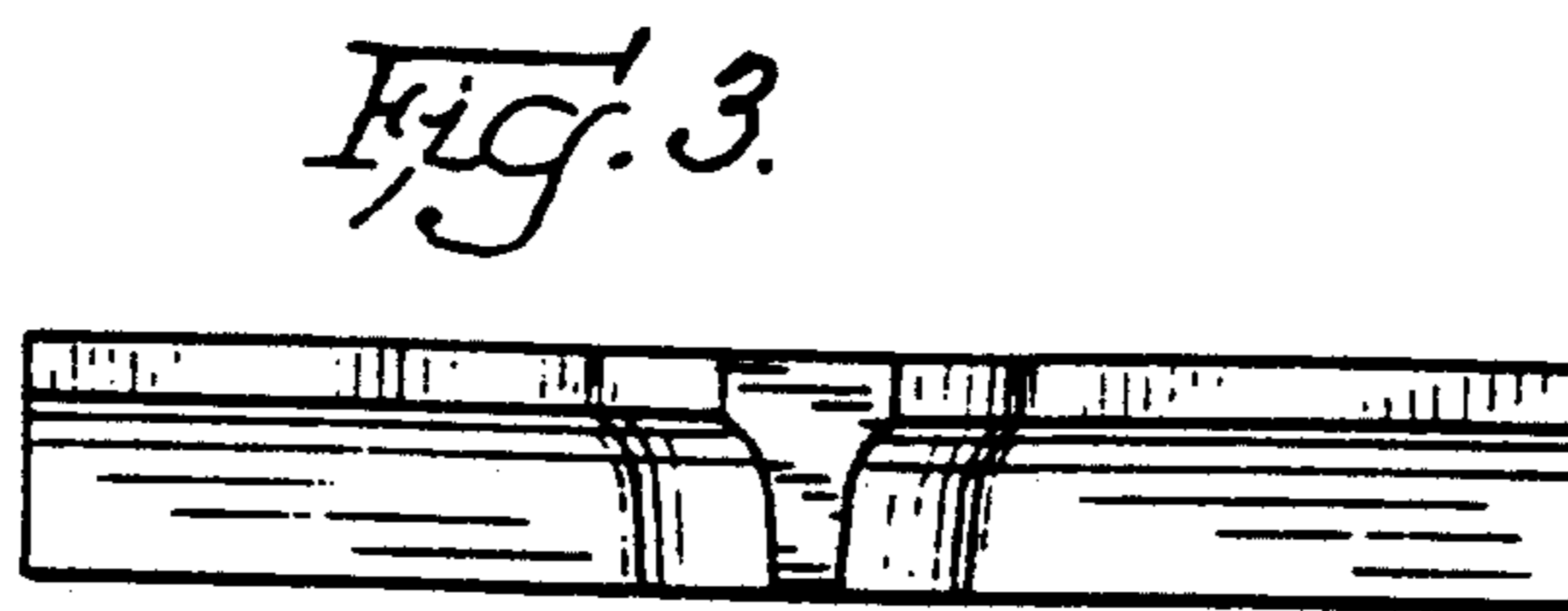
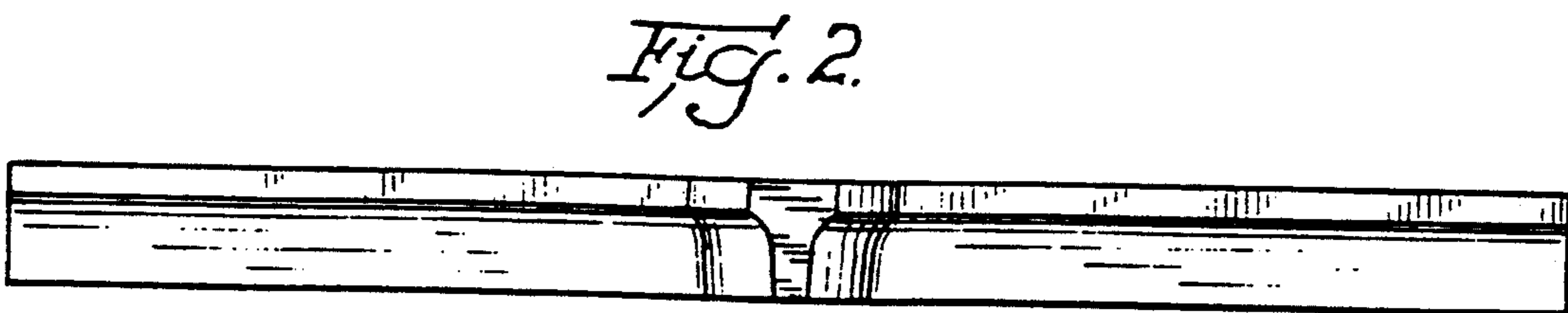
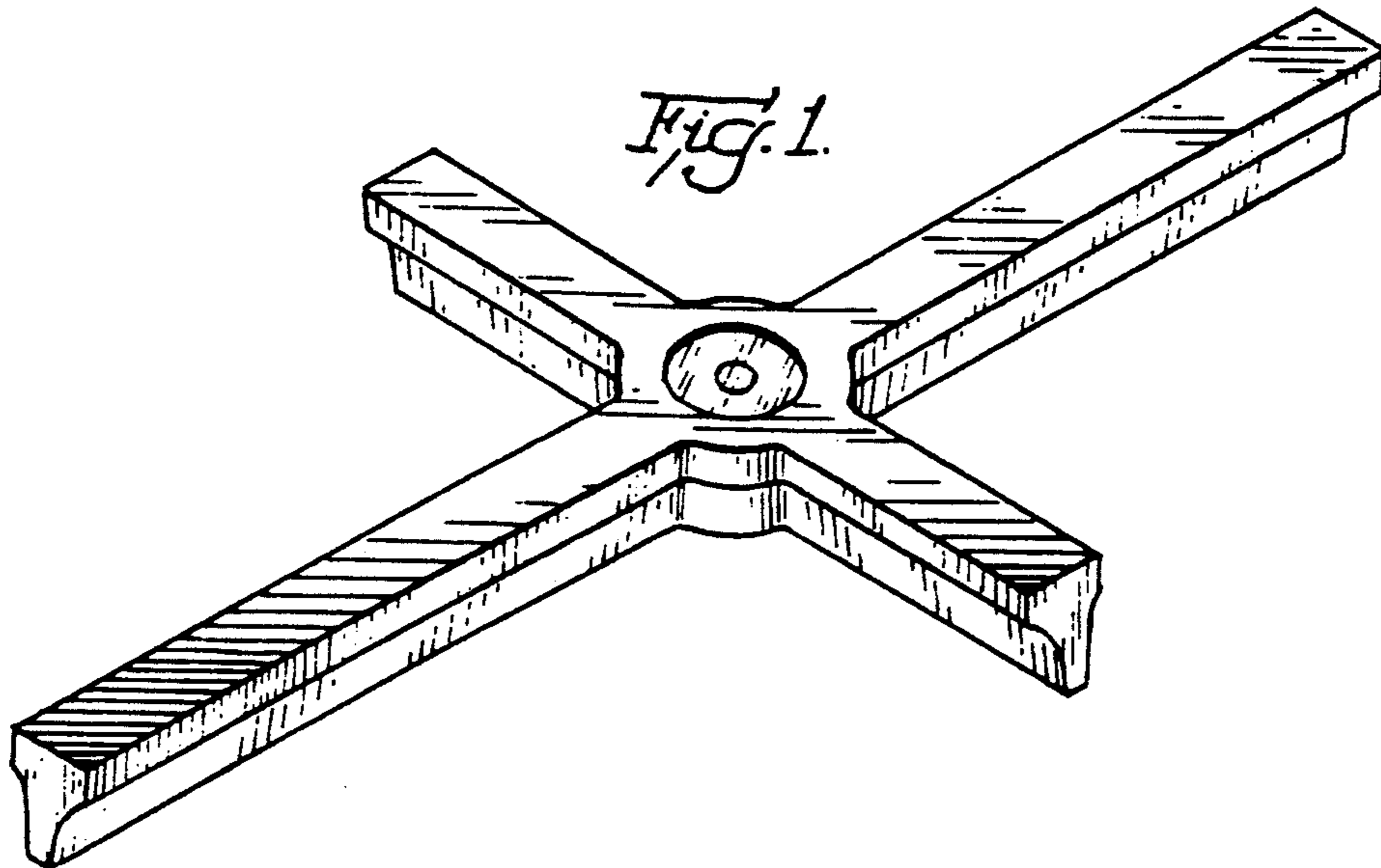


Fig. 4.

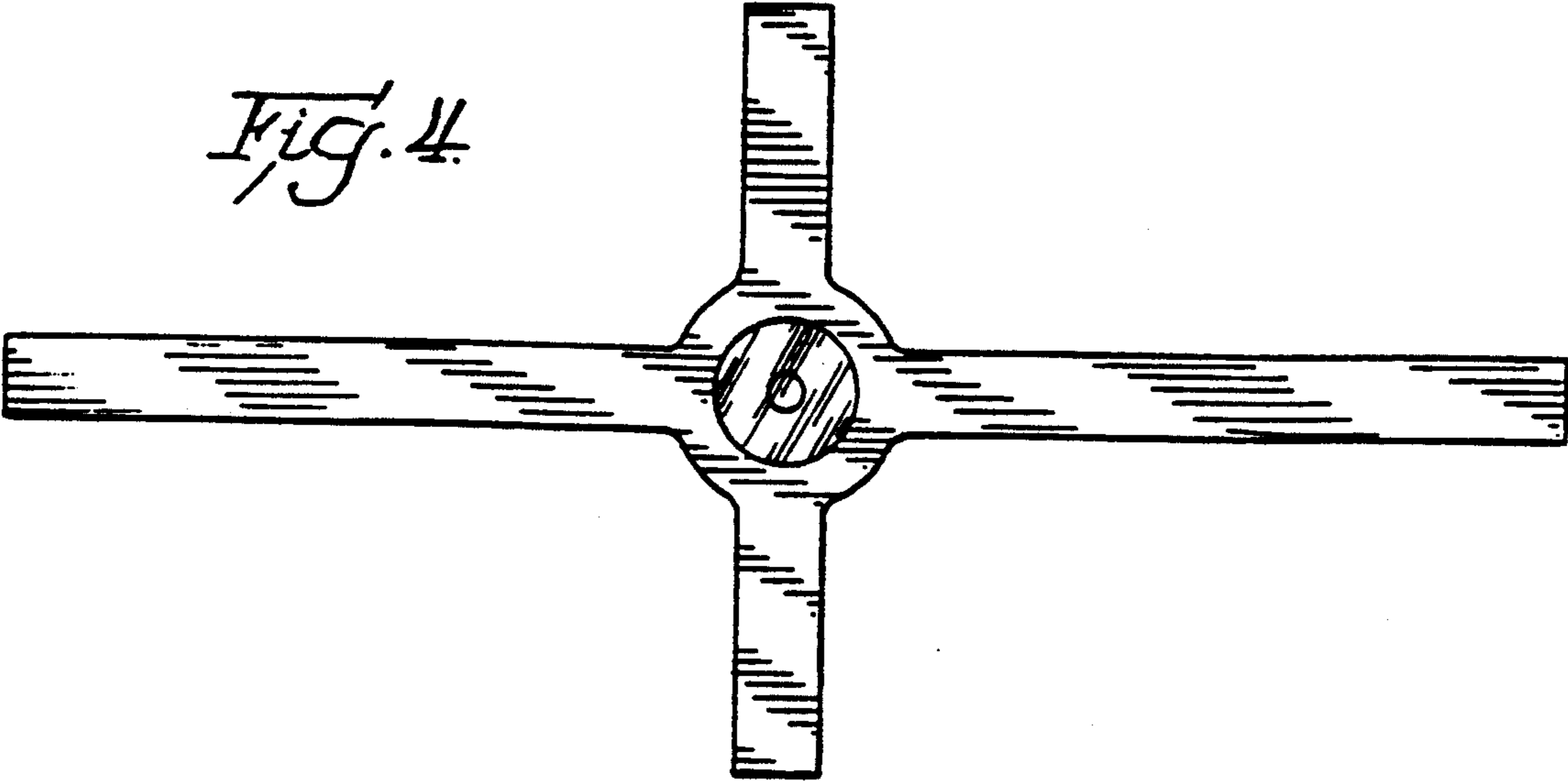


Fig. 5.

